



US00D674095S

(12) **United States Design Patent**  
**Ganley et al.**

(10) **Patent No.:** **US D674,095 S**  
(45) **Date of Patent:** **\*\* Jan. 8, 2013**

(54) **HOLDER FOR CAD/CAM BLANKS**

(75) Inventors: **Robert A. Ganley**, Williamsville, NY  
(US); **Dmitri Brodtkin**, Livingston, NJ  
(US)

(73) Assignee: **Ivoclar Vivadent AG**, Schaan (LI)

(\*\*) Term: **14 Years**

(21) Appl. No.: **29/364,068**

(22) Filed: **Jun. 18, 2010**

**Related U.S. Application Data**

(63) Continuation of application No. 12/329,200, filed on Dec. 5, 2008, which is a continuation-in-part of application No. 12/118,981, filed on May 12, 2008.

(51) **LOC (9) Cl.** ..... **24-02**

(52) **U.S. Cl.** ..... **D24/181**

(58) **Field of Classification Search** ..... D24/146,  
D24/152, 181; D8/61; 433/126, 80, 82,  
433/88, 132, 190, 34, 53, 163, 206; 409/94,  
409/131, 84, 105; 264/20, 16; 428/34.1,  
428/542.8

See application file for complete search history.

(56) **References Cited**

**U.S. PATENT DOCUMENTS**

5,383,752	A *	1/1995	Rheinberger et al. ....	409/105
6,224,371	B1	5/2001	DeLuca	
6,454,568	B1 *	9/2002	Beuschel et al. ....	433/163
6,482,284	B1	11/2002	Reidt et al.	
6,485,305	B1	11/2002	Pfeiffer	
6,627,327	B2	9/2003	Reidt et al.	
6,660,400	B1	12/2003	Hintersehr	
6,669,875	B2	12/2003	Meyertholen et al.	
6,769,912	B2 *	8/2004	Beuschel et al. ....	433/163
6,775,581	B2	8/2004	Landers et al.	
6,905,293	B1 *	6/2005	Filser et al. ....	409/84
6,979,496	B2	12/2005	Haymann et al.	
6,991,853	B2	1/2006	Branco de Luca et al.	

7,024,272	B2	4/2006	Thomas et al.	
7,110,849	B2	9/2006	Landers et al.	
7,214,435	B2	5/2007	Meyertholen et al.	
7,234,938	B2	6/2007	Bodenmiller	
7,604,759	B2	10/2009	Gubler et al.	
7,666,485	B2 *	2/2010	Lal et al. ....	428/34.1
D618,807	S *	6/2010	Konrad et al. ....	D24/181
D627,472	S *	11/2010	Wagner et al. ....	D24/181
D627,473	S *	11/2010	Wagner et al. ....	D24/181
D627,889	S *	11/2010	Wagner et al. ....	D24/181
2003/0132539	A1 *	7/2003	Althoff et al. ....	264/16
2006/0106485	A1	5/2006	Landers et al.	
2006/0115794	A1	6/2006	Sager	
2007/0048689	A1	3/2007	Holzner et al.	
2007/0136031	A1	6/2007	Feldman et al.	
2007/0275352	A1	11/2007	Gubler et al.	
2008/0241798	A1	10/2008	Holzner et al.	
2009/0130634	A1 *	5/2009	Ganley et al. ....	433/206
2009/0275000	A1	11/2009	Jung et al.	
2010/0028836	A1	2/2010	Gubler et al.	
2011/0042880	A1 *	2/2011	Konrad et al. ....	269/287

\* cited by examiner

*Primary Examiner* — Ian Simmons

*Assistant Examiner* — Charles Hanson

(74) *Attorney, Agent, or Firm* — Ann M. Knab; Thad McMurray

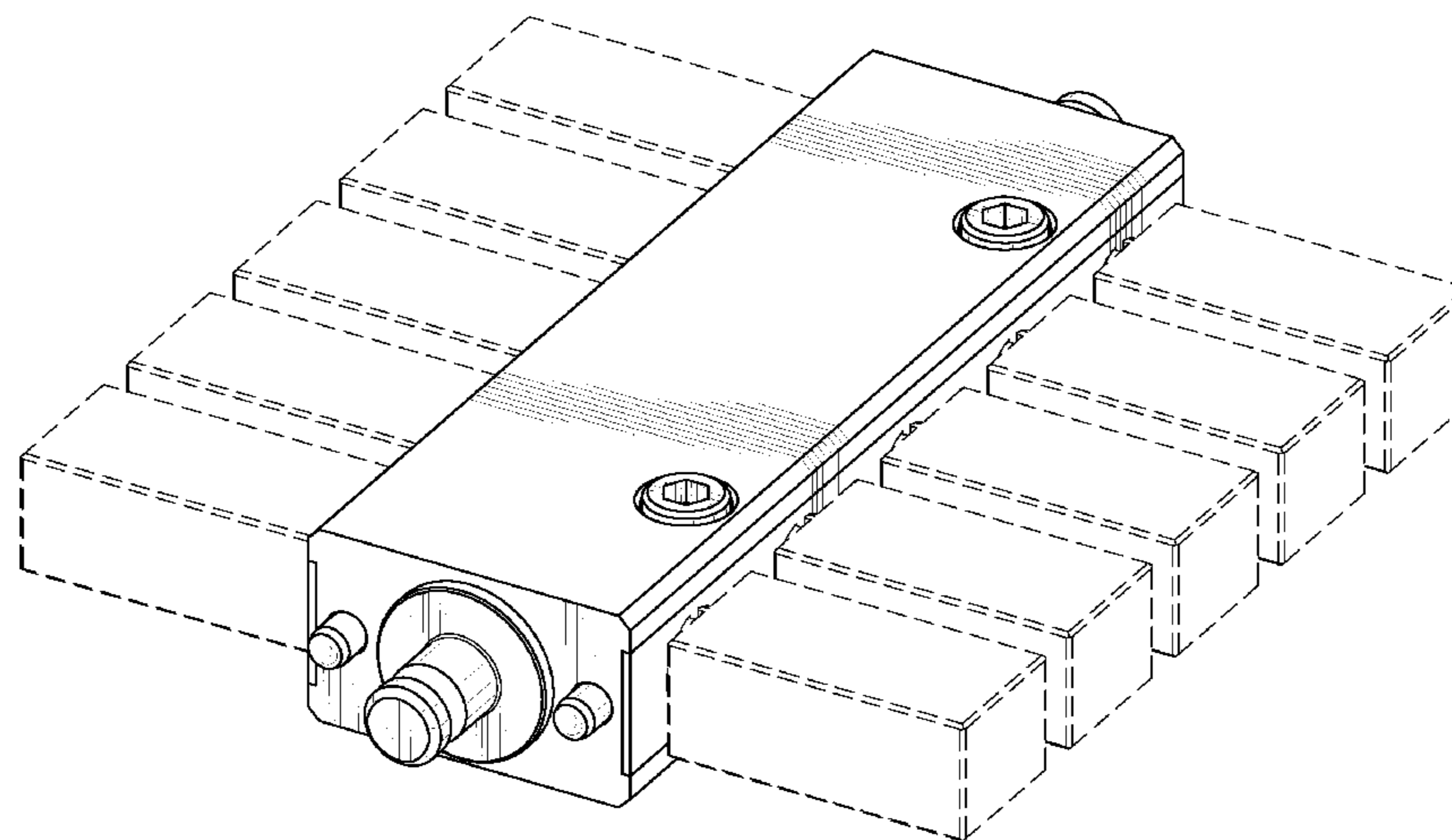
(57) **CLAIM**

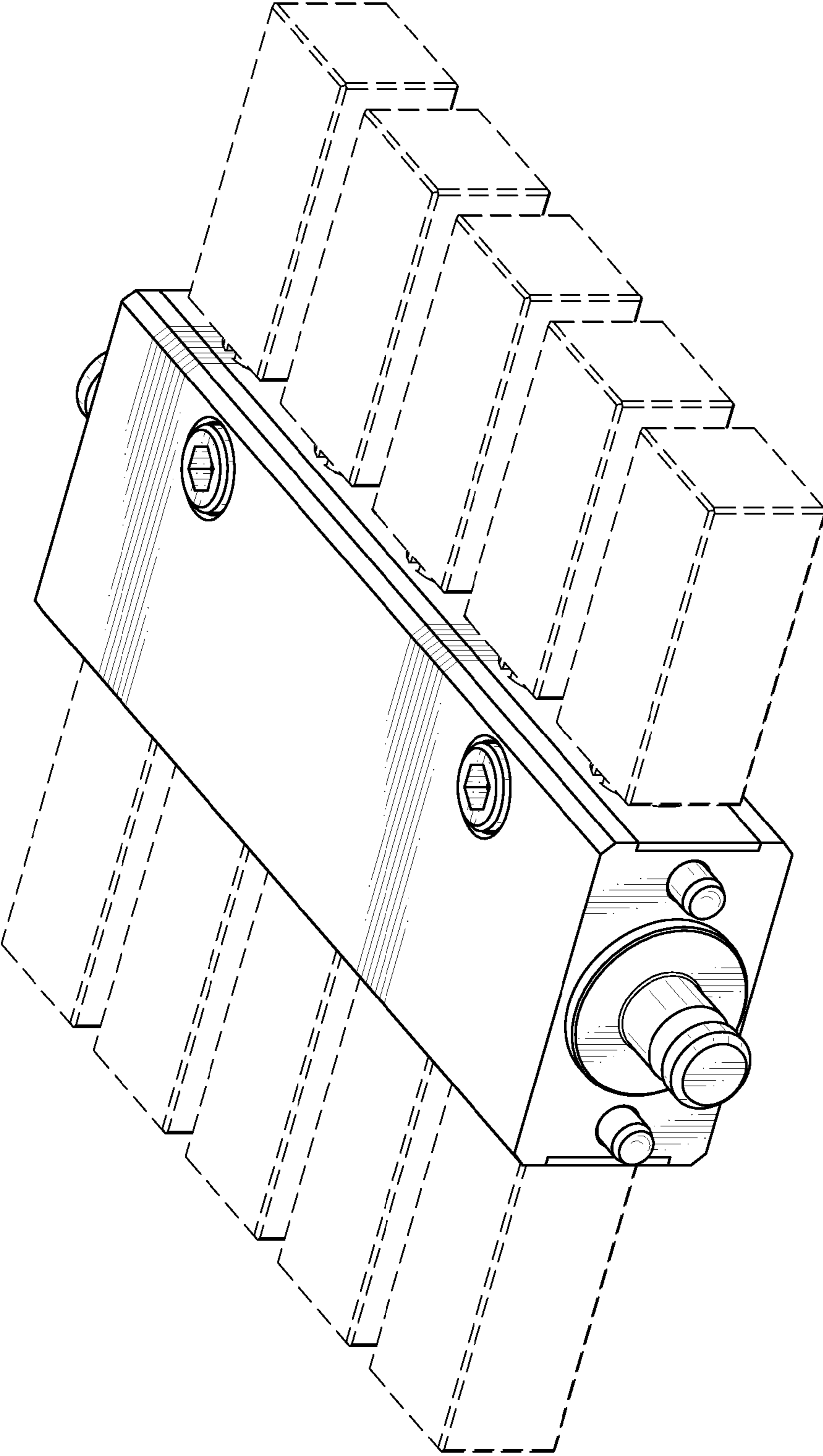
The ornamental design for a holder for CAD/CAM blanks, as shown and described.

**DESCRIPTION**

FIG. 1 is a perspective view of a holder for CAD/CAM blanks, showing our new design; FIG. 2 is a top plan view thereof; FIG. 3 is front elevational view thereof, the rear elevational view being a mirror image; and, FIG. 4 is a right side elevational view thereof, the left side being a mirror image. The broken line showing is for illustration purposes only and forms no part of the claimed design.

**1 Claim, 3 Drawing Sheets**





**FIG.1**

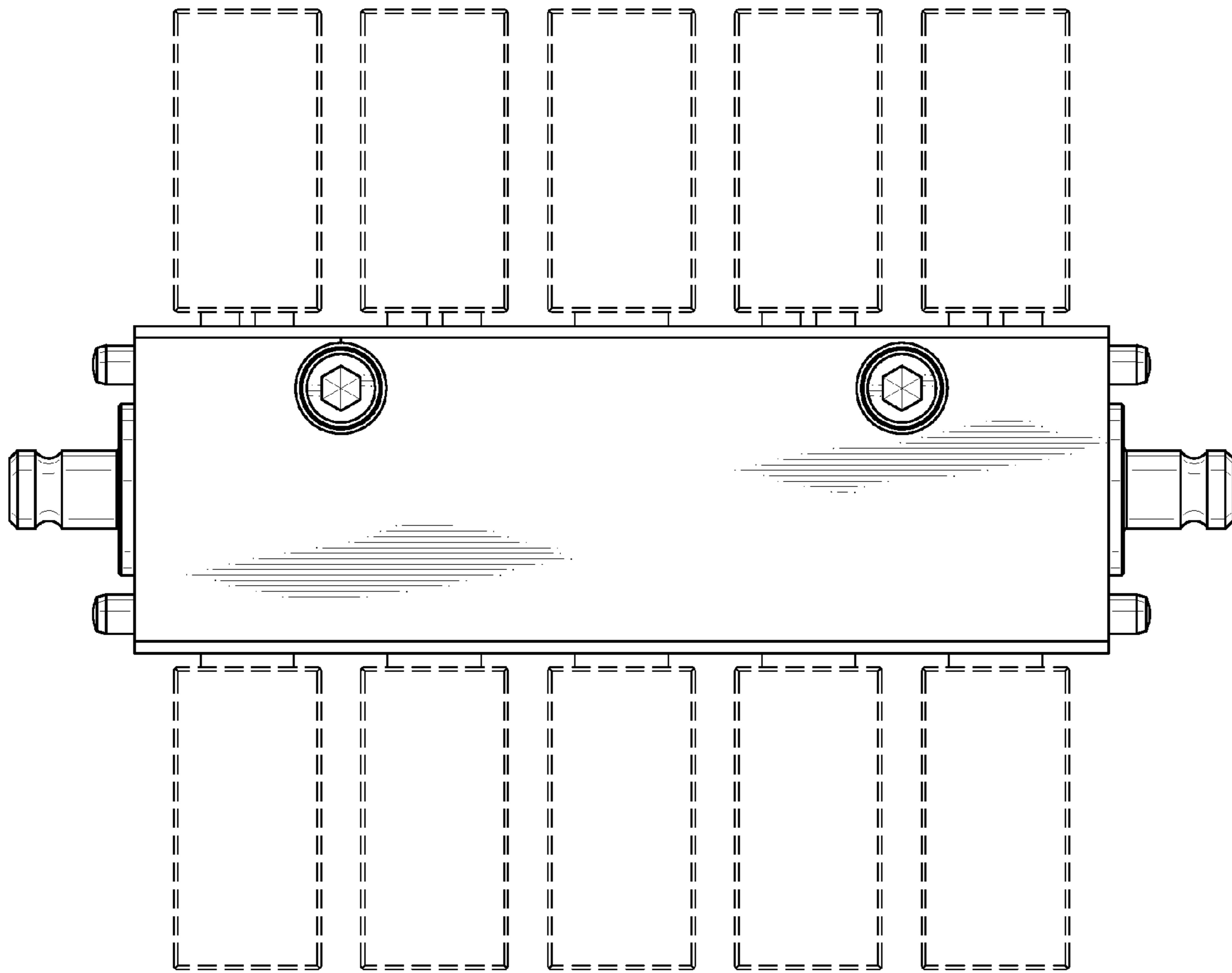


FIG.2

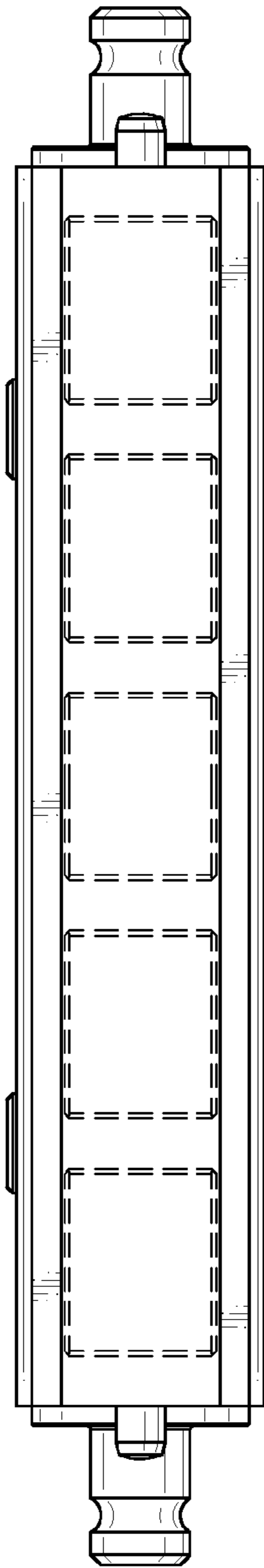


FIG.3

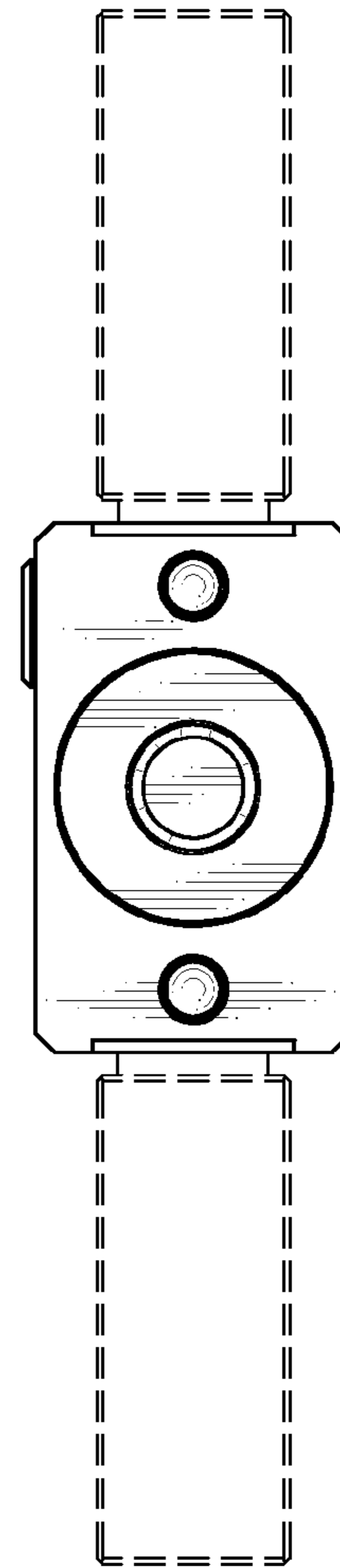


FIG.4