



US00D674094S

(12) **United States Design Patent**
Takano et al.

(10) **Patent No.:** **US D674,094 S**
(45) **Date of Patent:** **** Jan. 8, 2013**

(54) **HEARING AID**

(75) Inventors: **Hiroshi Takano**, Ehime (JP); **Masakazu Mori**, Ehime (JP)

(73) Assignee: **Panasonic Corporation**, Osaka (JP)

(**) Term: **14 Years**

(21) Appl. No.: **29/419,016**

(22) Filed: **Apr. 24, 2012**

(30) **Foreign Application Priority Data**

Dec. 9, 2011 (JP) 2011-028613

(51) **LOC (9) Cl.** **24-99**

(52) **U.S. Cl.** **D24/174**

(58) **Field of Classification Search** D24/173-175,
D24/151; D14/205, 206, 223-226, 249;
381/23.1, 312, 322-324, 328, 330, 380, 381;
181/135

See application file for complete search history.

(56) **References Cited**

U.S. PATENT DOCUMENTS

| | | | |
|--------------|---------|---------------|---------|
| D516,216 S | 2/2006 | Portmann | |
| D532,111 S | 11/2006 | Espersen | |
| D575,872 S | 8/2008 | Pedersen | |
| D579,567 S | 10/2008 | Pedersen | |
| D608,449 S * | 1/2010 | Cano et al. | D24/174 |
| D611,607 S | 3/2010 | Mori et al. | |
| D635,264 S * | 3/2011 | Dubs | D24/174 |
| D646,788 S | 10/2011 | Dubs et al. | |
| D647,204 S * | 10/2011 | Borregaard | D24/175 |
| D663,846 S * | 7/2012 | Ingold et al. | D24/174 |

| | | | |
|-------------------|--------|-------------------|---------|
| D667,121 S * | 9/2012 | Mori et al. | D24/174 |
| 2008/0044049 A1 * | 2/2008 | Ho et al. | 381/323 |
| 2011/0200218 A1 * | 8/2011 | Borregaard et al. | 381/323 |
| 2011/0235834 A1 * | 9/2011 | Brimhall et al. | 381/321 |

FOREIGN PATENT DOCUMENTS

| | | |
|----|----------|---------|
| JP | D1265177 | 2/2009 |
| JP | D1370640 | 10/2009 |

* cited by examiner

Primary Examiner — Anhdao Doan

(74) *Attorney, Agent, or Firm* — Brinks Hofer Gilson & Lione

(57) **CLAIM**

We claim the ornamental design for a hearing aid, as shown and described.

DESCRIPTION

FIG. 1 is a front perspective view of a hearing aid of the present invention;
 FIG. 2 is a rear perspective view thereof;
 FIG. 3 is a first side view thereof;
 FIG. 4 is a second side view thereof;
 FIG. 5 is a front view thereof;
 FIG. 6 is a rear view thereof;
 FIG. 7 is a top view thereof;
 FIG. 8 is a bottom view thereof; and,
 FIG. 9 is a cross-section view taken along the line 9-9 of FIG. 3 with the internal parts omitted.

The long-short dash lines represent the bounds of the claim, and all other broken lines are included for the purpose of illustrating portions of the hearing aid that form no part of the claimed design. None of the broken lines form a part of the claimed design.

1 Claim, 9 Drawing Sheets

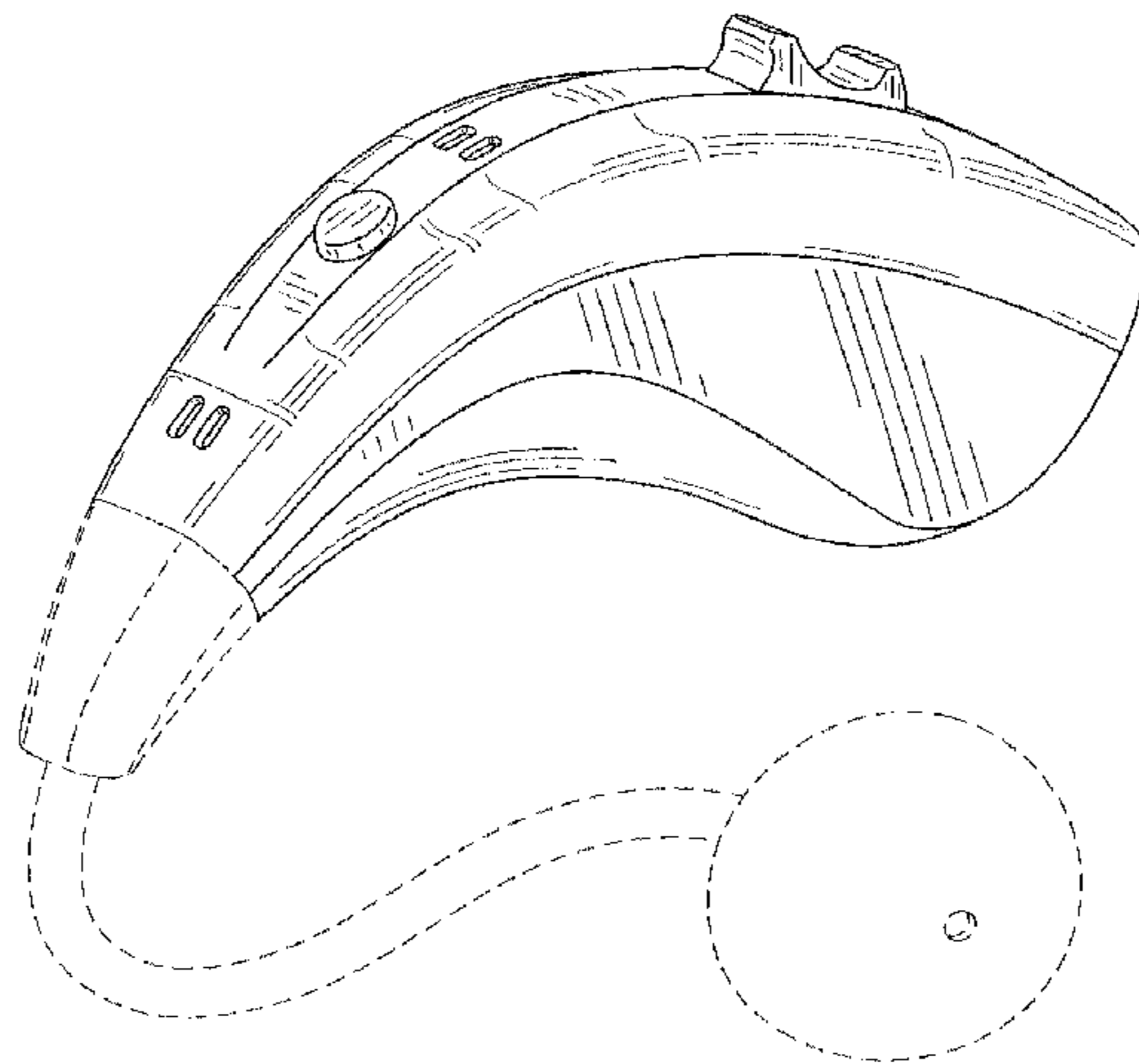


FIG. 1

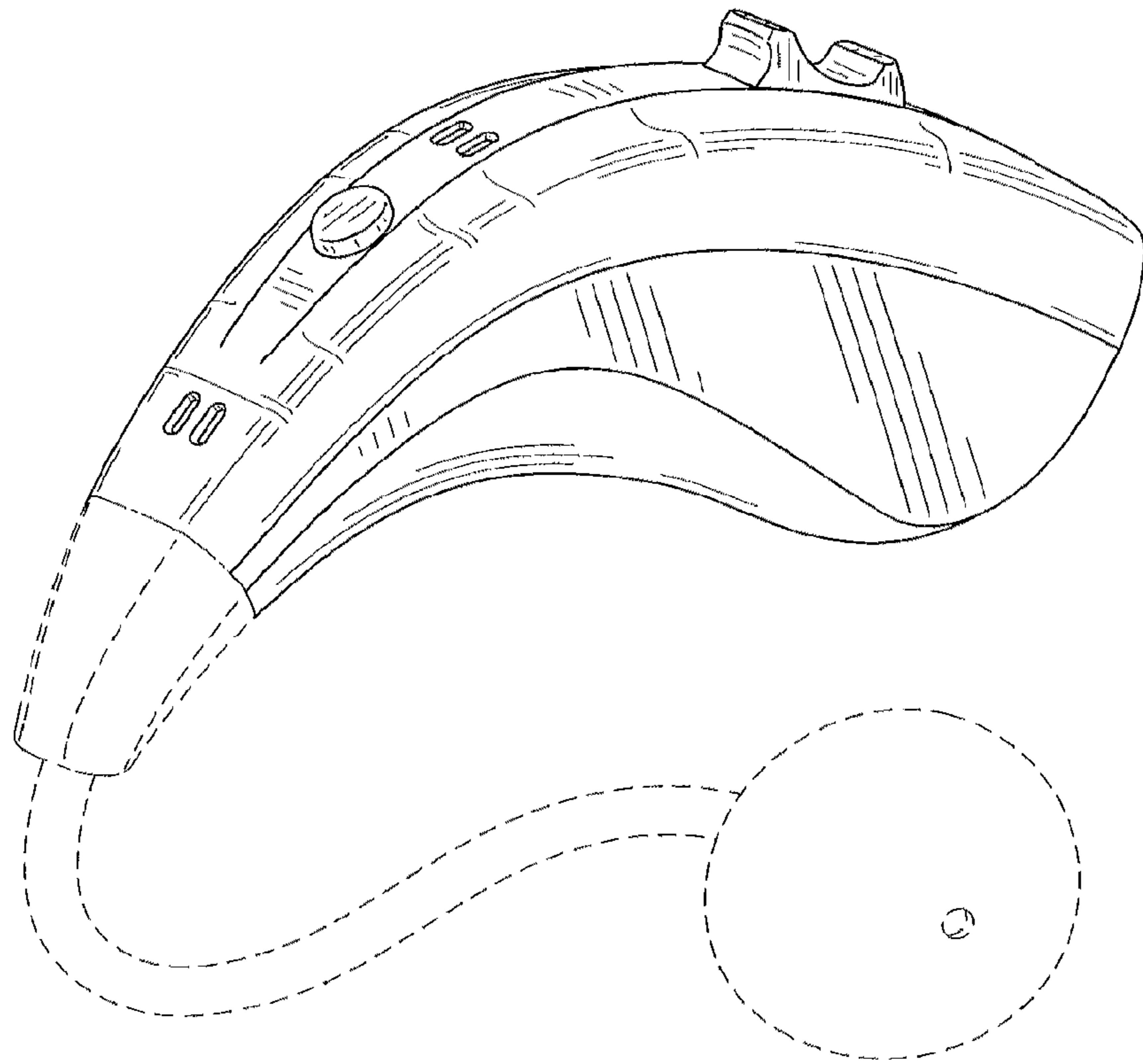


FIG.2

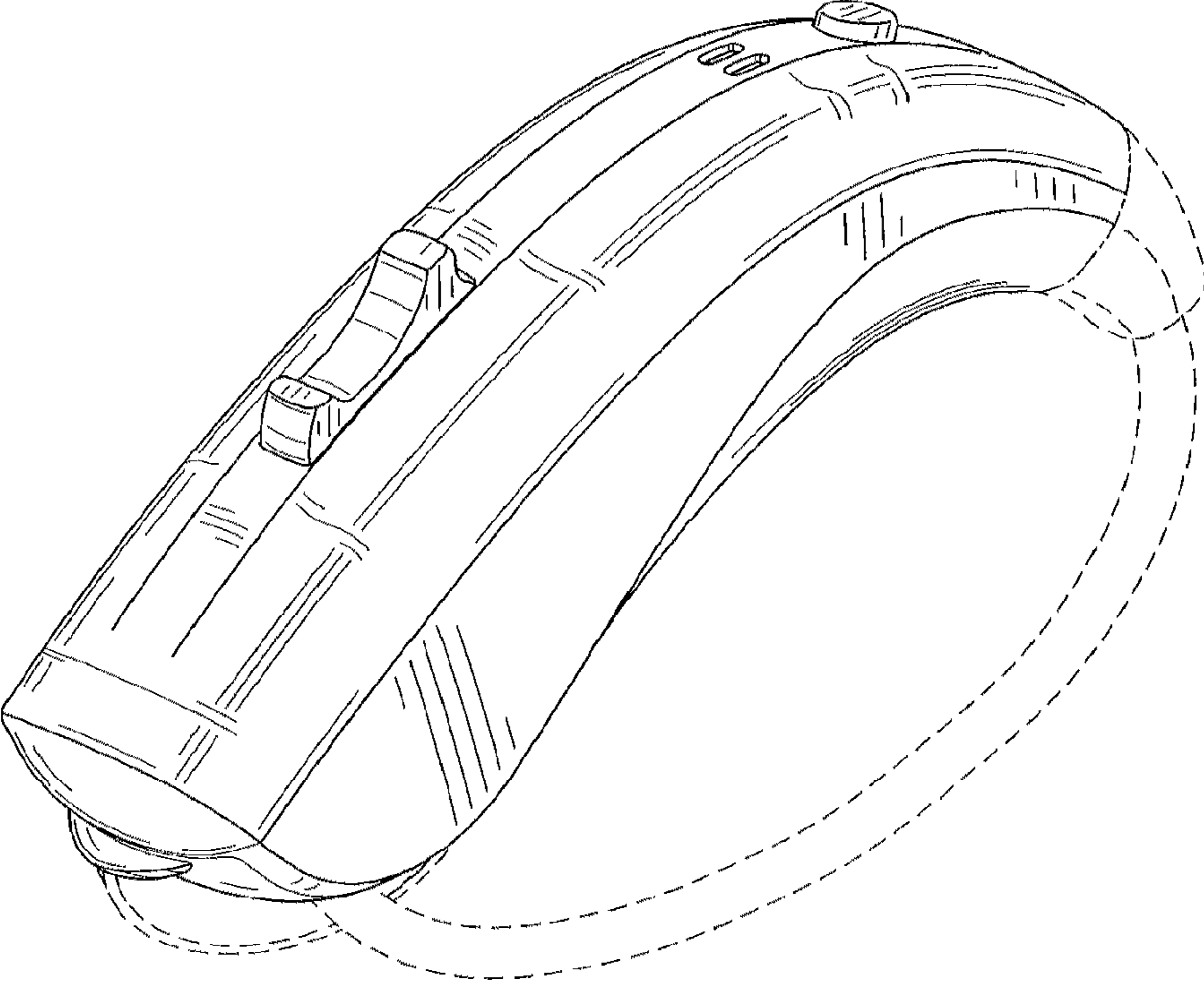


FIG.3

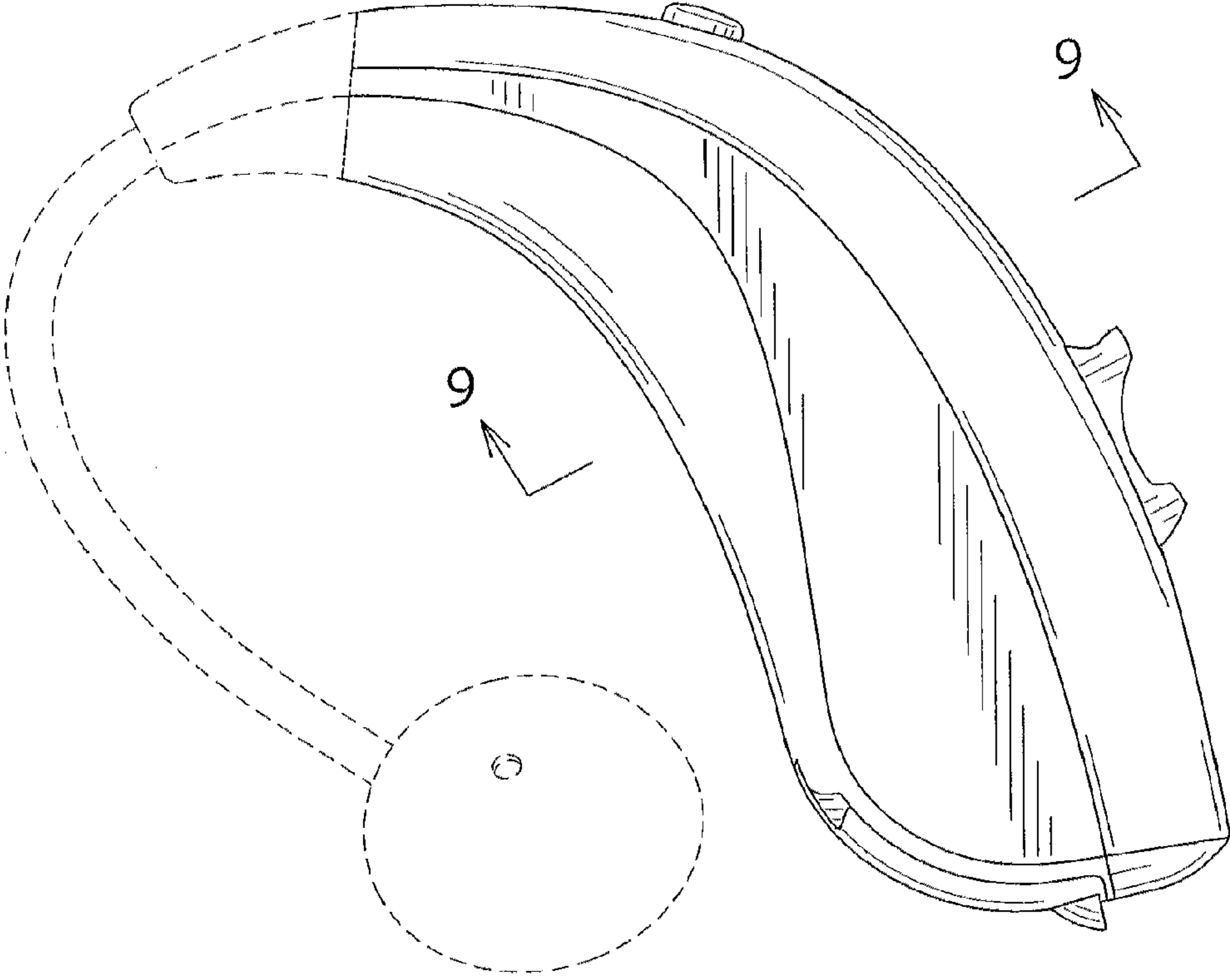


FIG.4

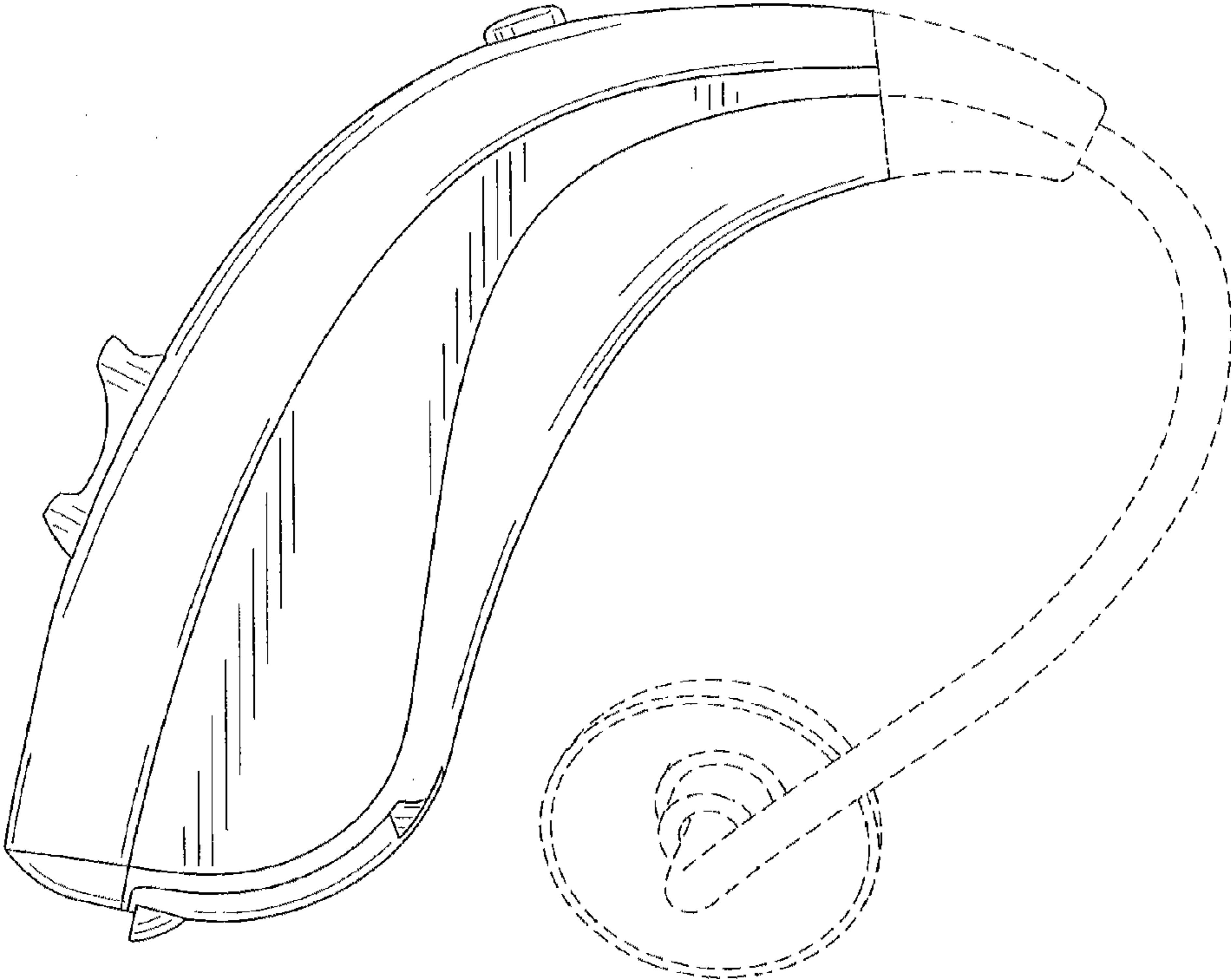


FIG.5

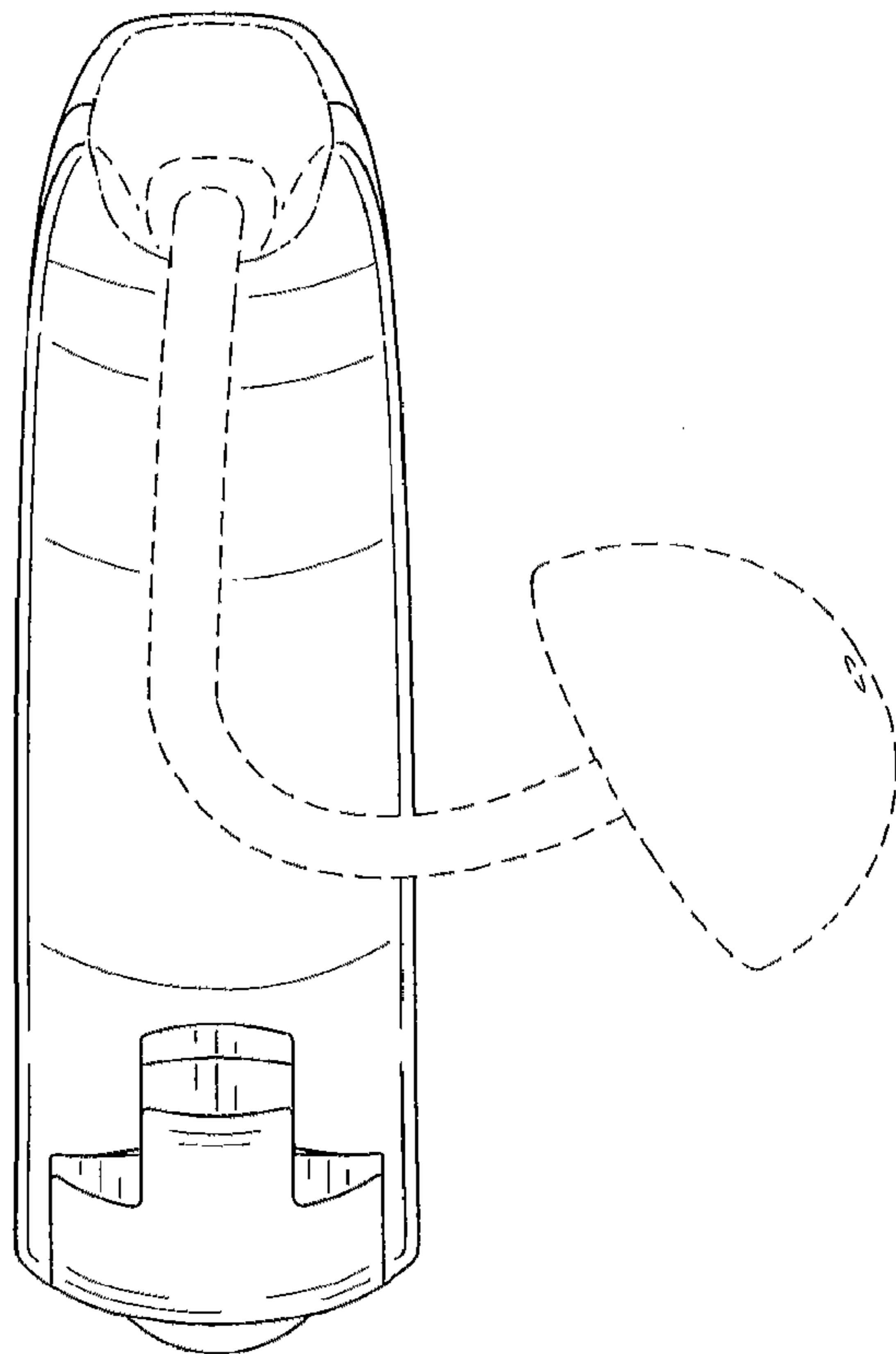


FIG.6

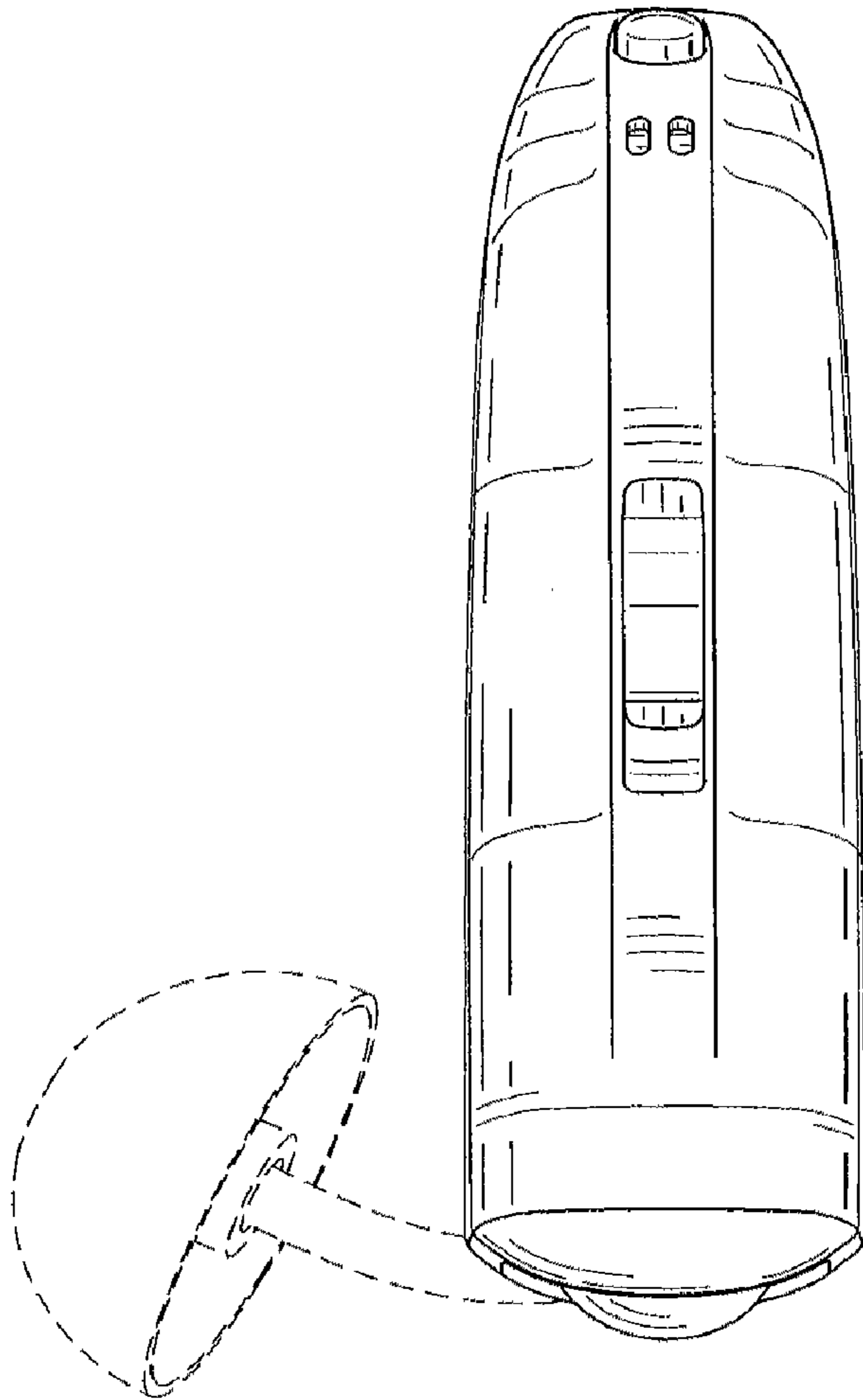


FIG.7

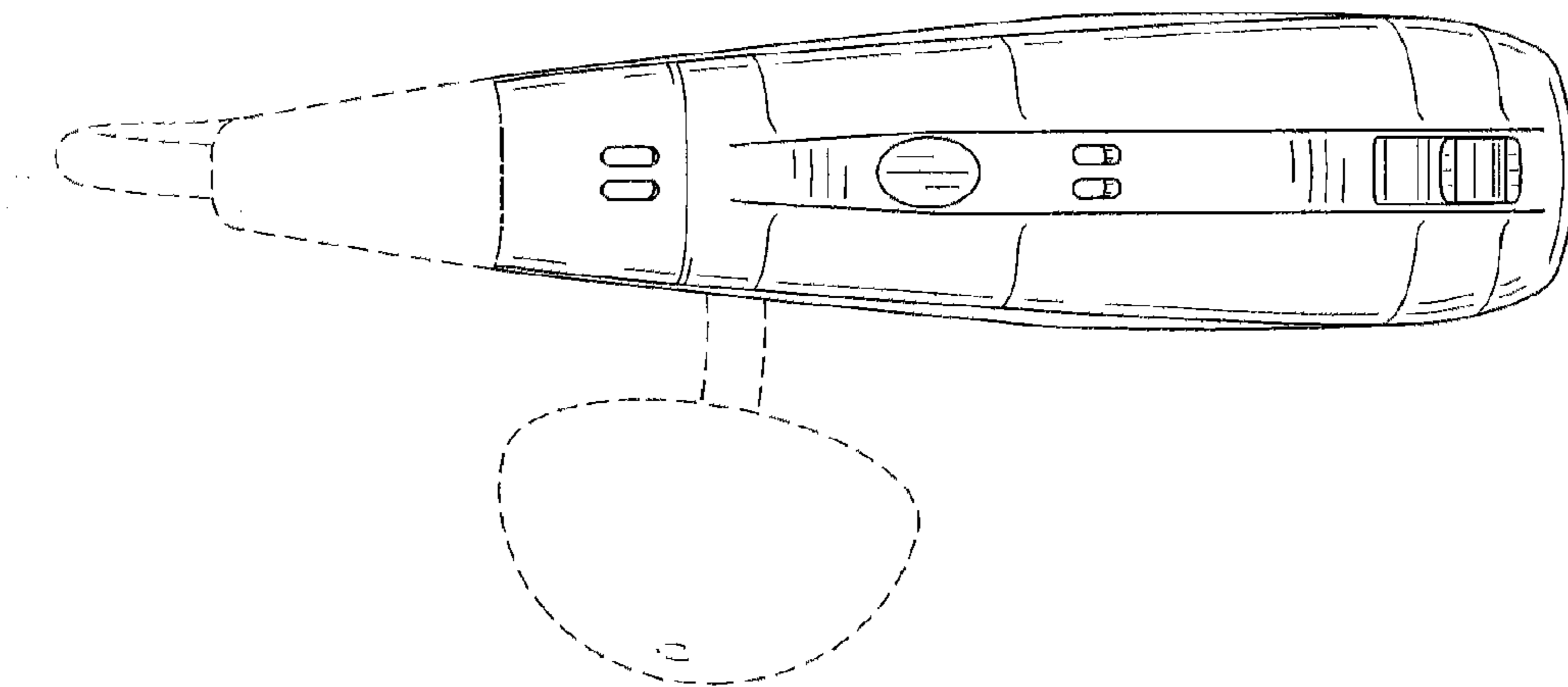


FIG.8

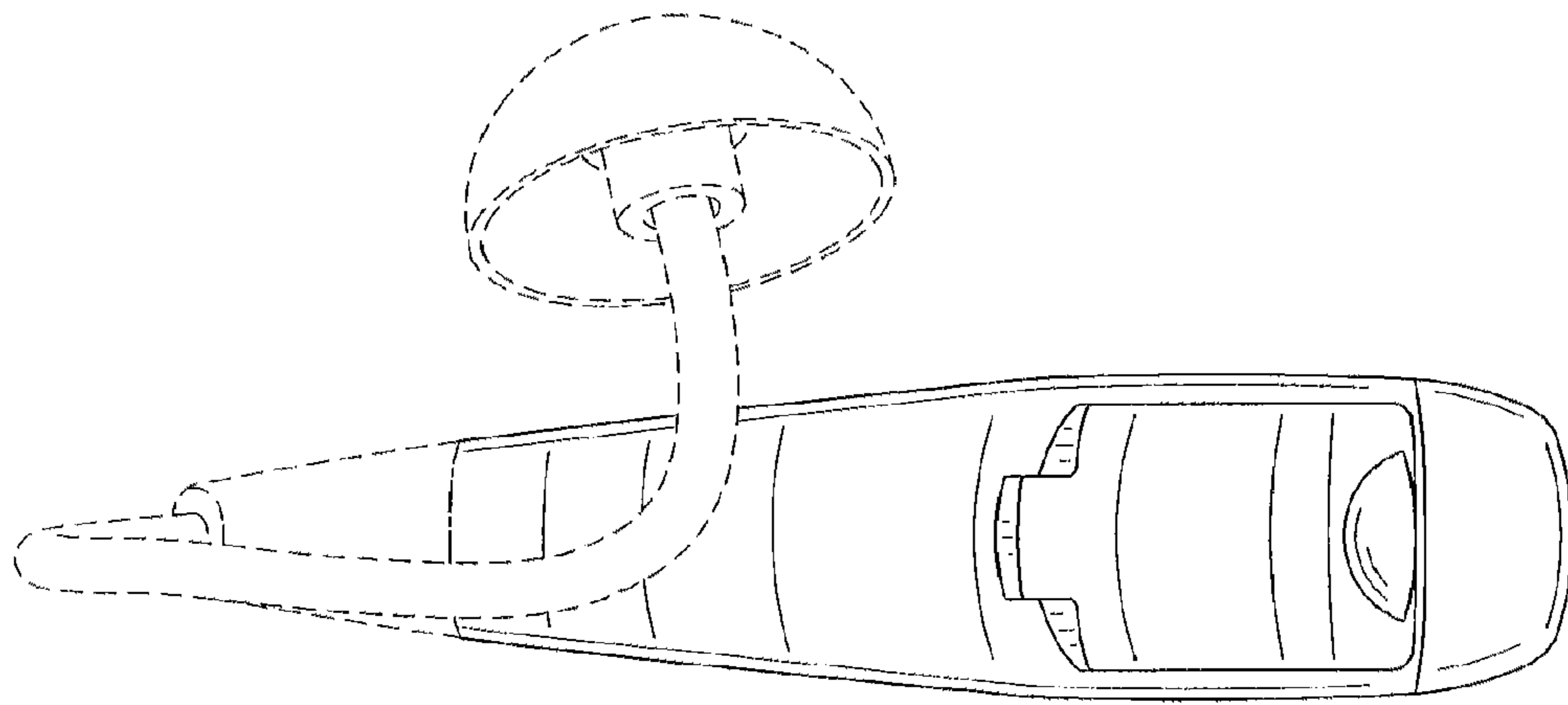


FIG.9

