



US00D674093S

(12) **United States Design Patent**  
**Ritchey et al.**

(10) **Patent No.:** **US D674,093 S**  
(45) **Date of Patent:** **\*\* Jan. 8, 2013**

(54) **LANDMARK IDENTIFIER FOR TARGETING  
A LANDMARK OF AN ORTHOPAEDIC  
IMPLANT**

5,584,838 A 12/1996 Rona et al.  
5,957,836 A 9/1999 Johnson  
5,957,934 A \* 9/1999 Rapoport ..... 606/130  
6,009,878 A 1/2000 Weijand et al.

(Continued)

(75) Inventors: **Nicholas S. Ritchey**, Collierville, TN  
(US); **Gary F. Prokop**, Wheaton, IL  
(US); **Adam M. Ruggles**, Chicago, IL  
(US)

**FOREIGN PATENT DOCUMENTS**

CA 2571508 A1 1/2006

(Continued)

(73) Assignee: **Smith & Nephew, Inc.**, Memphis, TN  
(US)

**OTHER PUBLICATIONS**

International Search Report and Written Opinion for International  
Application No. PCT/US2010/051678, mailed Apr. 14, 2011, 8  
pages.

(Continued)

(\*\*) Term: **14 Years**

(21) Appl. No.: **29/376,026**

(22) Filed: **Sep. 30, 2010**

*Primary Examiner* — Anhdao Doan

(74) *Attorney, Agent, or Firm* — Fish & Richardson P.C.

**Related U.S. Application Data**

(63) Continuation of application No. 12/758,747, filed on  
Aug. 12, 2010, and a continuation-in-part of  
application No. 12/547,716, filed on Aug. 26, 2009.

(51) **LOC (9) Cl.** ..... **24-01**

(52) **U.S. Cl.** ..... **D24/171**

(58) **Field of Classification Search** ..... D24/171,  
D24/155, 158, 187; 606/96–98; 600/424,  
600/426, 407

See application file for complete search history.

**CLAIM**

(57) The ornamental design for a landmark identifier for targeting  
a landmark of an orthopaedic implant, as shown and  
described.

**DESCRIPTION**

FIG. 1 is a perspective view of an implementation of a land-  
mark identifier for targeting a landmark of an orthopaedic  
implant showing our new design.

FIG. 2 is a side view of the design of FIG. 1; and,  
FIG. 3 is a front view of the design of FIG. 1.

The broken lines in the drawing views are included for the  
purpose of illustrating portions of the landmark identifier for  
targeting a landmark of an orthopaedic implant that form no  
part of the claimed design.

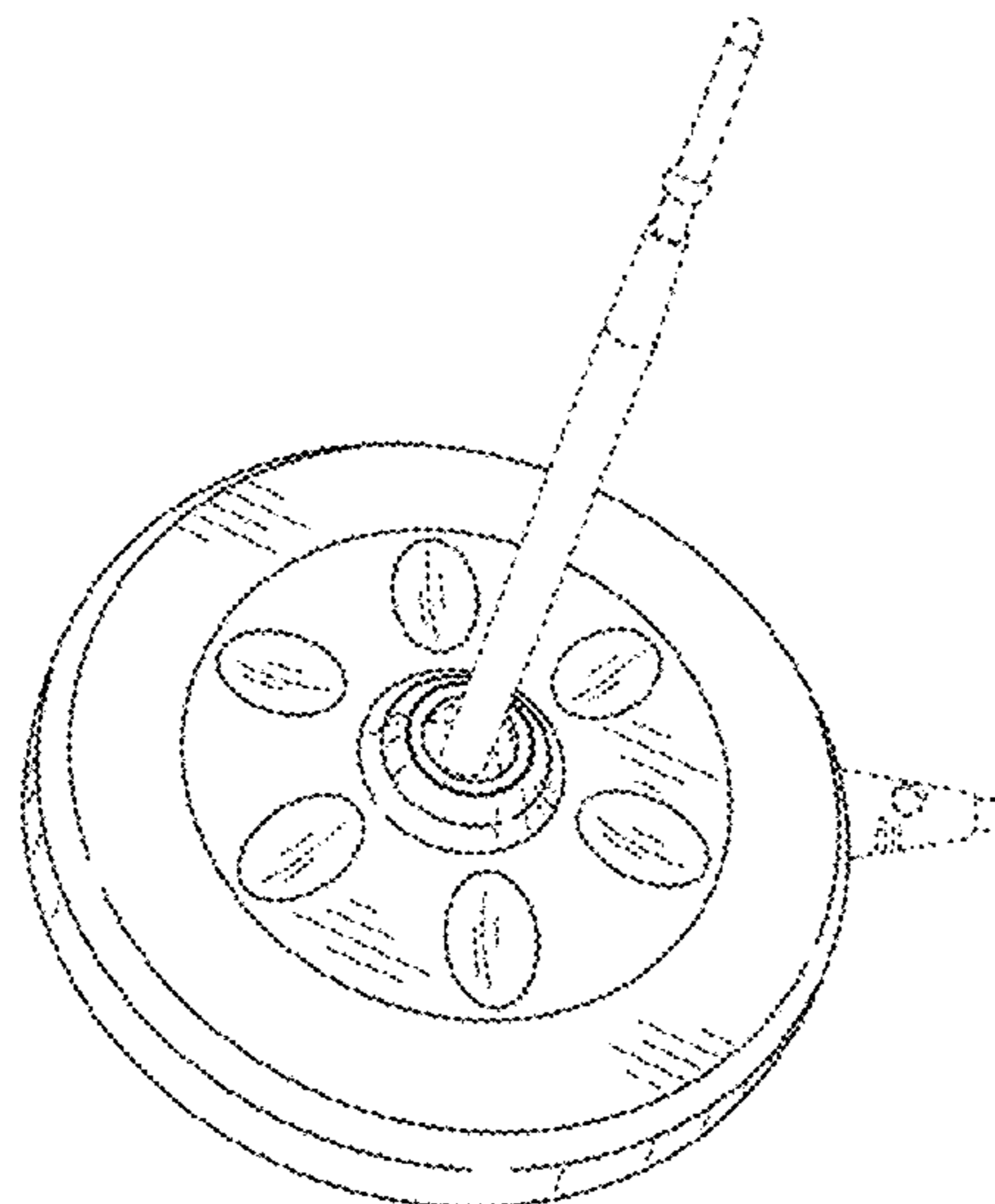
The rear, opposite side, and bottom views that are not shown  
in the drawings or described in the specification form no part  
of the claimed design.

**1 Claim, 3 Drawing Sheets**

(56) **References Cited**

**U.S. PATENT DOCUMENTS**

4,621,628 A 11/1986 Brudermann  
D297,047 S \* 8/1988 Hon et al. .... D24/187  
4,803,976 A 2/1989 Frigg et al.  
5,049,151 A 9/1991 Durham et al.  
5,127,913 A 7/1992 Thomas  
5,281,224 A 1/1994 Faccioli et al.  
5,411,503 A 5/1995 Hollstien et al.  
5,417,688 A 5/1995 Elstrom et al.  
5,433,720 A 7/1995 Faccioli et al.  
5,514,145 A 5/1996 Durham et al.



U.S. PATENT DOCUMENTS

6,036,696 A 3/2000 Lambrecht et al.  
 6,039,742 A 3/2000 Krettek et al.  
 6,081,741 A 6/2000 Hollis  
 6,157,853 A 12/2000 Blume et al.  
 6,162,228 A 12/2000 Durham  
 6,174,335 B1 1/2001 Varieur et al.  
 6,212,419 B1 4/2001 Blume et al.  
 6,267,770 B1\* 7/2001 Truwit ..... 606/130  
 6,311,082 B1 10/2001 Creighton et al.  
 6,474,341 B1 11/2002 Hunter et al.  
 6,503,249 B1 1/2003 Krause  
 6,575,973 B1 6/2003 Shekalim  
 6,636,757 B1 10/2003 Jascob et al.  
 6,694,168 B2 2/2004 Traxel et al.  
 6,718,194 B2 4/2004 Kienzle  
 7,029,478 B2 4/2006 Hollstien et al.  
 7,060,075 B2 6/2006 Govari et al.  
 D528,211 S\* 9/2006 Solar et al. .... D24/158  
 7,130,676 B2 10/2006 Barrick  
 7,152,608 B2 12/2006 Hunter et al.  
 7,217,276 B2 5/2007 Henderson et al.  
 7,294,133 B2\* 11/2007 Zink et al. .... 606/96  
 7,477,926 B2 1/2009 McCombs  
 7,532,997 B2 5/2009 Li et al.  
 7,542,791 B2 6/2009 Mire et al.  
 7,549,960 B2 6/2009 Govari  
 7,575,550 B1 8/2009 Govari  
 7,686,818 B2 3/2010 Simon et al.  
 7,702,379 B2 4/2010 Avinash et al.  
 7,727,240 B1 6/2010 Benton  
 7,729,742 B2 6/2010 Govari  
 7,785,330 B2 8/2010 Sherman et al.  
 7,835,785 B2 11/2010 Scully et al.  
 7,840,254 B2 11/2010 Glossop  
 7,918,853 B2 4/2011 Watanabe et al.  
 7,925,068 B2 4/2011 Hctor et al.  
 8,197,494 B2 6/2012 Jaggi et al.  
 8,211,108 B2 7/2012 Matityahu  
 2002/0032445 A1 3/2002 Fujiwara  
 2002/0052604 A1 5/2002 Simon et al.  
 2003/0164172 A1 9/2003 Chumas et al.  
 2003/0187351 A1\* 10/2003 Franck et al. .... 600/429  
 2003/0208122 A1 11/2003 Melkent et al.  
 2004/0011365 A1 1/2004 Govari et al.  
 2004/0243148 A1 12/2004 Wasielewski  
 2005/0027301 A1 2/2005 Stihl  
 2005/0027304 A1 2/2005 Leloup et al.  
 2005/0059885 A1 3/2005 Melkent et al.  
 2005/0070916 A1 3/2005 Hollstien et al.  
 2005/0075562 A1 4/2005 Szakelyhidi et al.  
 2005/0075632 A1 4/2005 Russell et al.  
 2005/0080335 A1 4/2005 Simon et al.  
 2005/0080427 A1 4/2005 Govari et al.  
 2005/0085714 A1 4/2005 Foley et al.  
 2005/0085715 A1 4/2005 Dukesherer et al.  
 2005/0124988 A1 6/2005 Terrill et al.  
 2005/0197569 A1 9/2005 McCombs  
 2005/0228270 A1 10/2005 Lloyd et al.  
 2005/0245821 A1 11/2005 Govari et al.  
 2005/0261700 A1 11/2005 Tuma et al.  
 2006/0015031 A1 1/2006 Kienzle  
 2006/0029186 A1\* 2/2006 De Villiers et al. .... 378/163  
 2006/0052782 A1 3/2006 Morgan et al.  
 2006/0106400 A1 5/2006 Fernandez et al.  
 2006/0293593 A1 12/2006 Govari et al.  
 2007/0093709 A1 4/2007 Abernathie  
 2007/0129629 A1 6/2007 Beauregard et al.  
 2007/0162018 A1 7/2007 Jensen et al.  
 2007/0167744 A1 7/2007 Beauregard et al.  
 2007/0208251 A1 9/2007 Anderson et al.  
 2007/0225595 A1 9/2007 Malackowski et al.  
 2007/0255132 A1 11/2007 Shalgi et al.  
 2007/0282440 A1 12/2007 Visentin  
 2008/0039857 A1 2/2008 Giersch et al.  
 2008/0086145 A1 4/2008 Sherman et al.  
 2008/0228195 A1 9/2008 von Jako et al.  
 2008/0255560 A1 10/2008 Myers et al.  
 2008/0269596 A1 10/2008 Revie et al.

2008/0281334 A1 11/2008 Zheng et al.  
 2009/0054910 A1 2/2009 Zheng et al.  
 2009/0088756 A1 4/2009 Anderson  
 2009/0099404 A1 4/2009 Kraus et al.  
 2009/0177080 A1 7/2009 Kristan et al.  
 2009/0227862 A1\* 9/2009 Smith et al. .... 600/424  
 2009/0306665 A1 12/2009 Lerner et al.  
 2009/0306666 A1 12/2009 Czartoski et al.  
 2010/0041985 A1 2/2010 Simon et al.  
 2010/0145337 A1 6/2010 Janna et al.  
 2010/0152566 A1 6/2010 Rains et al.  
 2010/0152573 A1 6/2010 Ritchey et al.  
 2010/0211177 A1 8/2010 Abdou  
 2010/0274121 A1 10/2010 Ritchey et al.  
 2010/0274256 A1 10/2010 Ritchey et al.  
 2010/0312245 A1 12/2010 Tipirneni et al.  
 2011/0082366 A1 4/2011 Scully et al.  
 2011/0270080 A1 11/2011 Crane  
 2011/0295108 A1 12/2011 Cox et al.  
 2011/0295253 A1 12/2011 Bonutti et al.  
 2012/0035468 A1 2/2012 Ritchey et al.  
 2012/0143047 A1 6/2012 Kimura et al.  
 2012/0184844 A1 7/2012 Gielen et al.

FOREIGN PATENT DOCUMENTS

CN 2698283 Y 5/2005  
 DE 102008023760 12/2009  
 EP 523905 5/1993  
 EP 628287 4/1995  
 EP 1391181 2/2004  
 EP 1382308 11/2005  
 EP 1570781 9/2009  
 EP 2130511 12/2009  
 EP 1743590 10/2010  
 GR 1005791 1/2008  
 WO WO9500085 1/1995  
 WO WO9713467 4/1997  
 WO WO9947052 9/1999  
 WO WO0134016 10/2001  
 WO WO03105659 12/2003  
 WO WO2004069063 8/2004  
 WO WO2007025191 3/2007  
 WO WO2007061890 5/2007  
 WO WO2007133168 11/2007  
 WO WO2008105874 9/2008  
 WO WO2008106593 9/2008  
 WO WO2009108214 9/2009  
 WO WO2009131999 10/2009  
 WO WO2010028046 3/2010  
 WO WO2010099247 A2 9/2010  
 WO WO2010129141 11/2010  
 WO WO2010129308 A2 11/2010

OTHER PUBLICATIONS

Ekliptik, Guiding Star, Lidis: The Best Solution for Distal Interlocking, 2008, 2 pages.  
 International Search Report for International Application No. PCT/US2008/055300, mailed Sep. 17, 2008, 3 pages.  
 International Preliminary Report on Patentability and Written Opinion for International Application No. PCT/US2008/055300, mailed Sep. 1, 2009, 6 pages.  
 International Preliminary Report on Patentability and Written Opinion for International Application No. PCT/U52007/063001, mailed Sep. 1, 2009, 5 pages.  
 International Search Report for International Application No. PCT/US2007/063001, mailed Nov. 30, 2007, 3 pages.  
 Rains, et al., U.S. Appl. No. 12/919,255, filed Aug. 25, 2010.  
 International Search Report for International Application No. PCT/US2008/074520, mailed Jan. 23, 2009, 2 pages.  
 Ekliptik, "Guiding Star", reprinted from <http://ekliptik.si/content/view/37/42>, on Jul. 1, 2010, 2 pages.  
 Ritchey, et al., U.S. Appl. No. 29/376,026, filed Sep. 30, 2010.  
 International Search Report and Written Opinion for International Application No. PCT/US2010/032634, mailed Jan. 26, 2011, 10 pages.



International Search Report and Written Opinion for PCT/US2010/030784, mailed Oct. 29, 2010, 11 pages.

European Search Report for European Application No. 07830964.7, mailed Jun. 18, 2010, 4 pages.

Office Action for European Application 08872996.7-1269, Jul. 21, 2011, 5 pages.

“Innomed Hip Instruments—hohmann retractors,” reprinted from [http://www.innomed.net/hip\\_rets\\_hohmanns.htm](http://www.innomed.net/hip_rets_hohmanns.htm) on Jan. 6, 2011, 8 pages.

Office Action for Chinese Application No. 200880006490.9, mailed Mar. 31, 2011, 13 pages.

Ashar, Tom, “Ultrasound Guidance for Placement of Central Venous Catheters,” *Israeli Journal of Emergency Medicine*, vol. 7, No. 2, Jun. 2007.

Buckner, C., et al., “Real-Time Sonography with Electromagnetic Tracking Navigation for Biopsy of a Hepatic Neoplasm Seen on Arterial Phase Computed Tomography,” *J Ultrasound Med* 2011, 30:253-256.

“GE Healthcare: Ultrasound Imaging Accessories, Volume 6,” CIVco Medical Solutions, Multi-Modality Imaging, 2011.

“Guiding Star with the LIDIS module,” Eklipik, 2007.

ekliptik, LIDIS module, brochure, 2010.

Brochure for GE Healthcare Drapes and Sterile Covers, accessed on Jun. 21, 2012, at <http://www.gehealthcare.com/usen/xr/surgery/docs/SurgeryDrapes&Film.pdf>.

ekliptik, “User Manual: Guiding Star/LIDIS,” Jun. 16, 2010, reprinted from [http://www.ekliptik.si/html/downloads/documents/manuals/LIDIS\\_user\\_manual.pdf](http://www.ekliptik.si/html/downloads/documents/manuals/LIDIS_user_manual.pdf).

Medtronic, “Orthopaedic Navigation Solutions,” 2005, reprinted from [http://behzadisportsdoc.com/wordpress/wp-content/uploads/2011/05/medtronic\\_orthonavsolutions.pdf](http://behzadisportsdoc.com/wordpress/wp-content/uploads/2011/05/medtronic_orthonavsolutions.pdf).

GE Healthcare, “Interventional X-ray, OEC C-arm,” 2012.

Office Action for U.S. Appl. No. 12/547,716, mailed Sep. 18, 2012.

\* cited by examiner

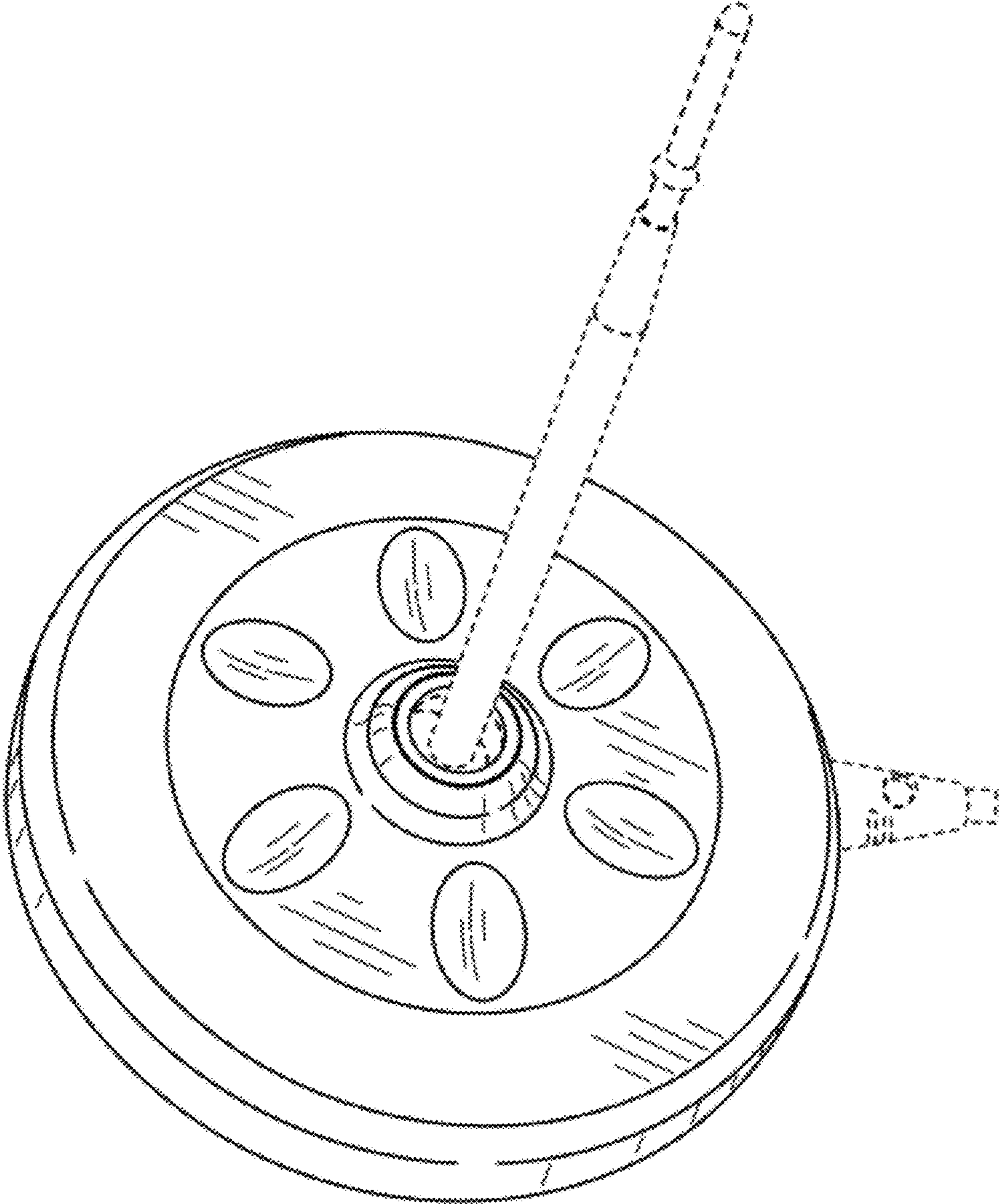


FIG. 1

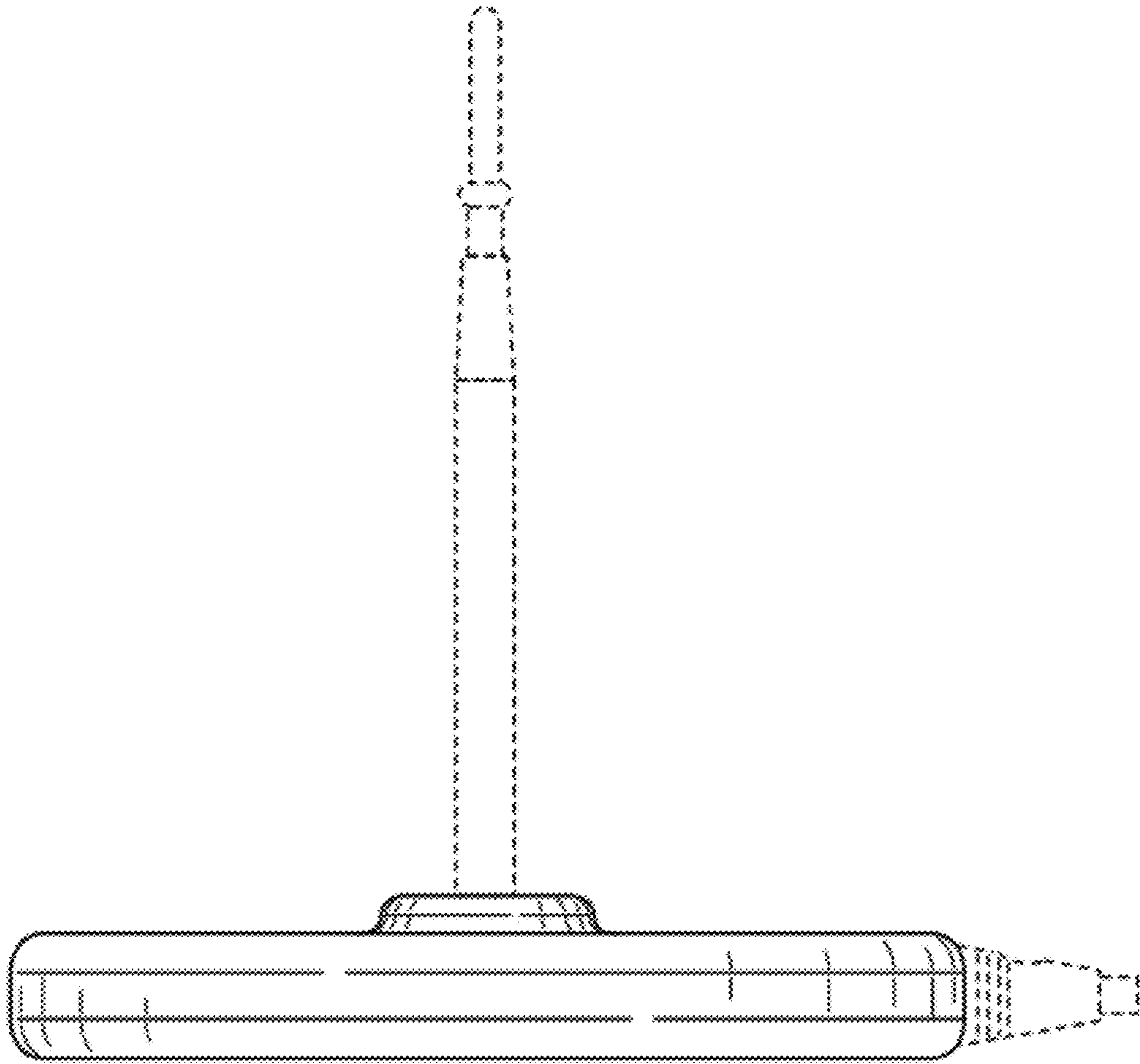


FIG. 2

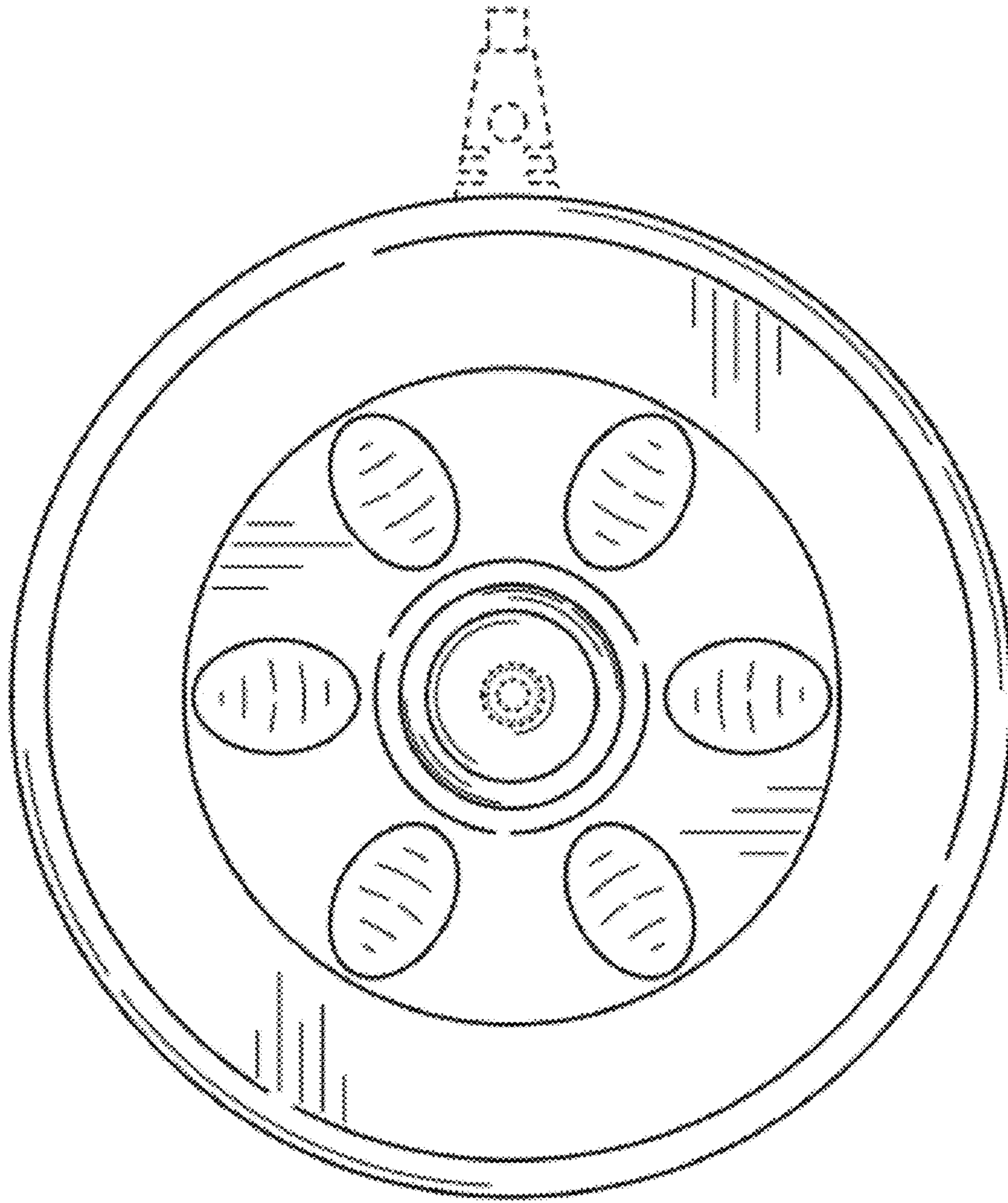


FIG. 3