



US00D674089S

(12) **United States Design Patent**  
**Harrington et al.**

(10) **Patent No.:** **US D674,089 S**  
(45) **Date of Patent:** **\*\* Jan. 8, 2013**

(54) **TRACHEAL DILATOR**

(75) Inventors: **Roger Harrington**, Athlone (IE);  
**Alonzo W. Baker, Jr.**, Valencia, CA  
(US); **Seamus Maguire**, Athlone (IE)

(73) Assignee: **Covidien LP**, Mansfield, MA (US)

(\*\*) Term: **14 Years**

(21) Appl. No.: **29/396,970**

(22) Filed: **Jul. 8, 2011**

**Related U.S. Application Data**

(62) Division of application No. 29/380,063, filed on Nov. 30, 2010, now Pat. No. Des. 643,532.

(51) **LOC (9) Cl.** ..... **24-02**

(52) **U.S. Cl.** ..... **D24/135**

(58) **Field of Classification Search** ..... D24/133,  
D24/135, 136; 606/191-199

See application file for complete search history.

(56) **References Cited**

**U.S. PATENT DOCUMENTS**

4,898,163 A \* 2/1990 George ..... 128/200.26  
D497,668 S \* 10/2004 Bogazzi ..... D24/133  
D527,820 S \* 9/2006 Solar et al. .... D24/140  
D582,035 S \* 12/2008 Morrison ..... D24/135  
D643,116 S \* 8/2011 Harrington et al. .... D24/135

D643,532 S \* 8/2011 Harrington et al. .... D24/135  
D643,533 S \* 8/2011 Harrington et al. .... D24/135  
2002/0066453 A1\* 6/2002 Ciaglia et al. .... 128/207.29

\* cited by examiner

*Primary Examiner* — Bridget L Eland

(57) **CLAIM**

We claim the ornamental design for a tracheal dilator, as shown and described.

**DESCRIPTION**

FIG. 1 is a front/right/bottom perspective view of the tracheal dilator of the present invention;

FIG. 2 is a front view of the tracheal dilator of FIG. 1;

FIG. 3 is a rear view of the tracheal dilator of FIG. 1;

FIG. 4 is a right side view of the tracheal dilator of FIG. 1, the left side view being a mirror image of the right side view shown;

FIG. 5 is a top view of the tracheal dilator of FIG. 1; and,

FIG. 6 is a bottom view of the tracheal dilator of FIG. 1.

The dot dash broken lines immediately adjacent the shaded areas represent the bounds of the claimed design while the evenly spaced broken lines are directed to environment and are for illustrative purposes only; the broken lines form no part of the claimed design.

The subject matter shown in broken lines in the drawings constituting environment only and forming no part of the protection sought.

**1 Claim, 2 Drawing Sheets**

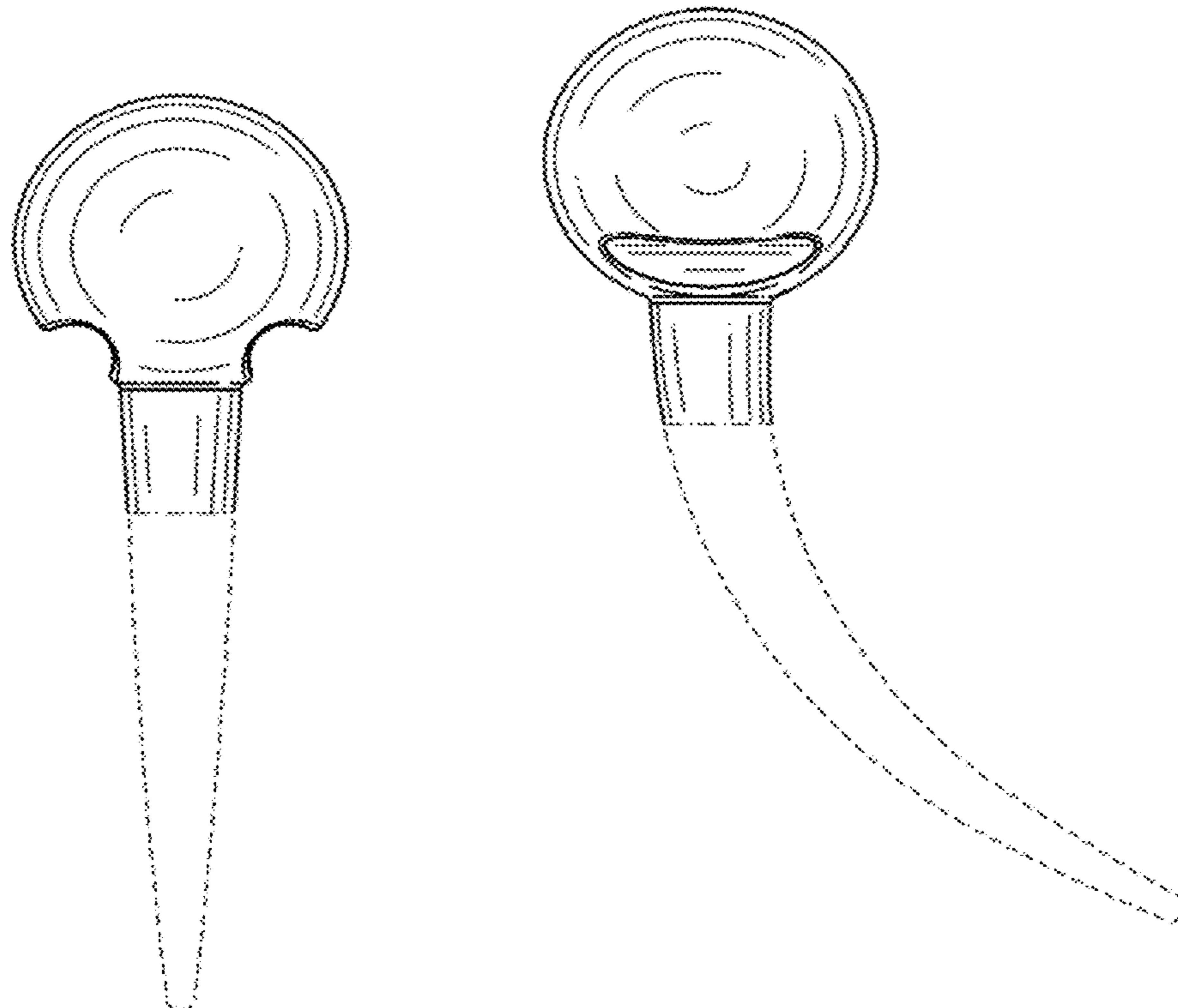


FIG. 1

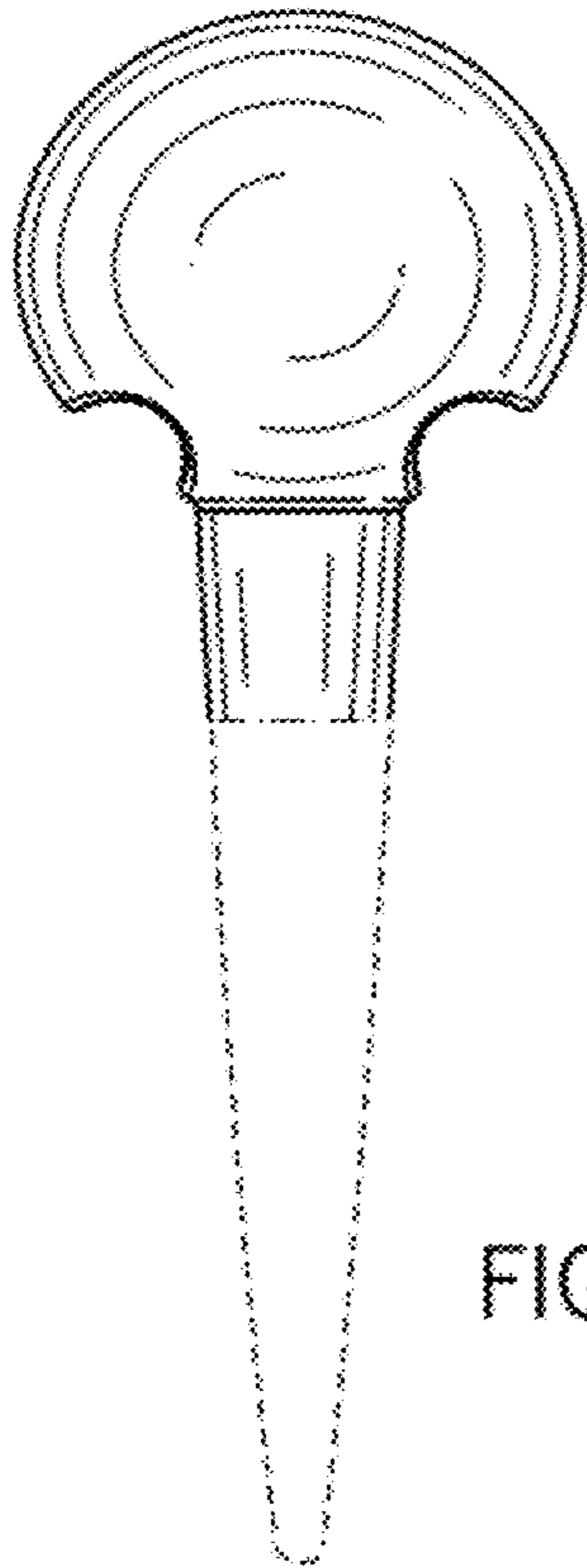
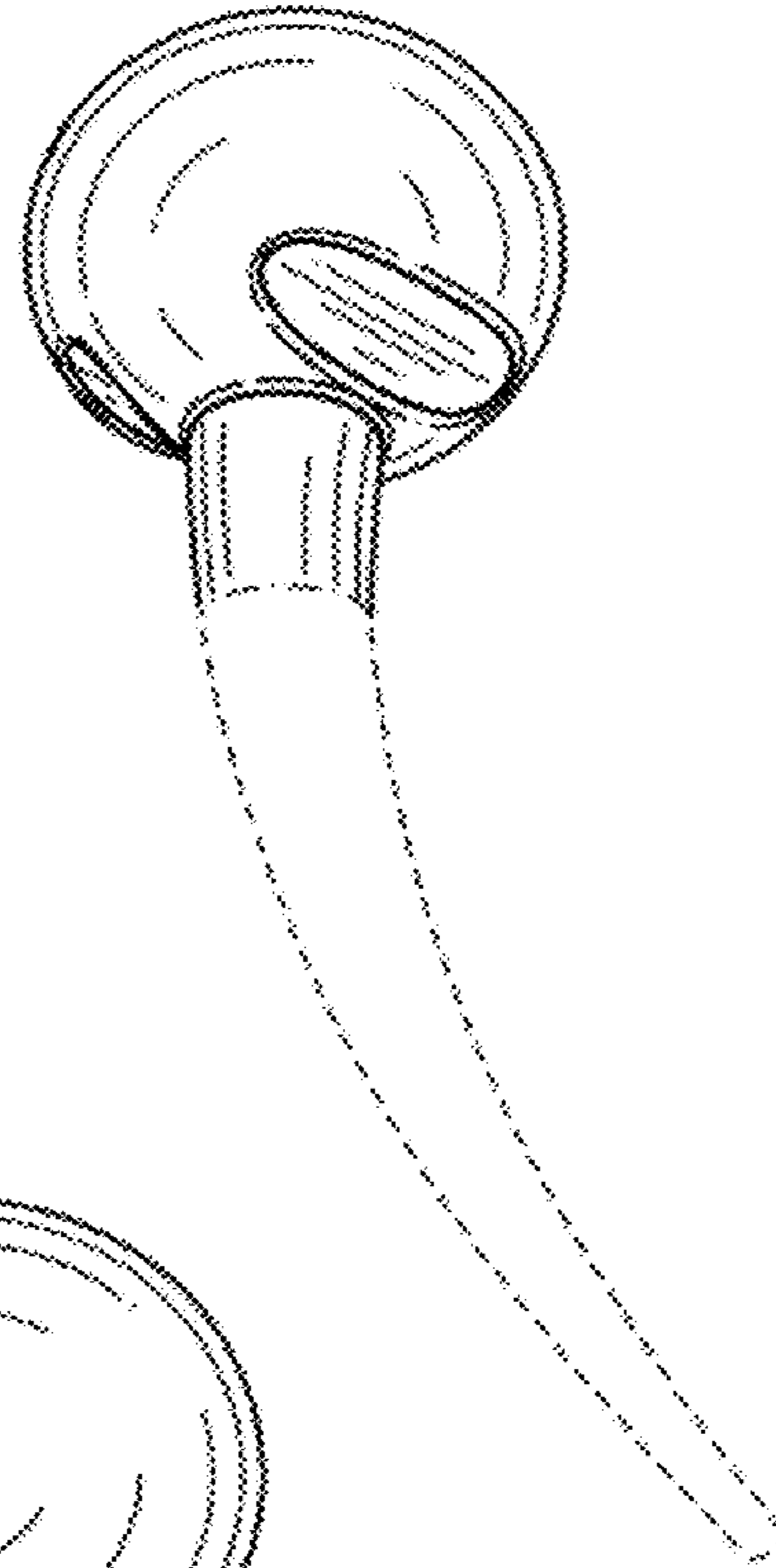


FIG. 2

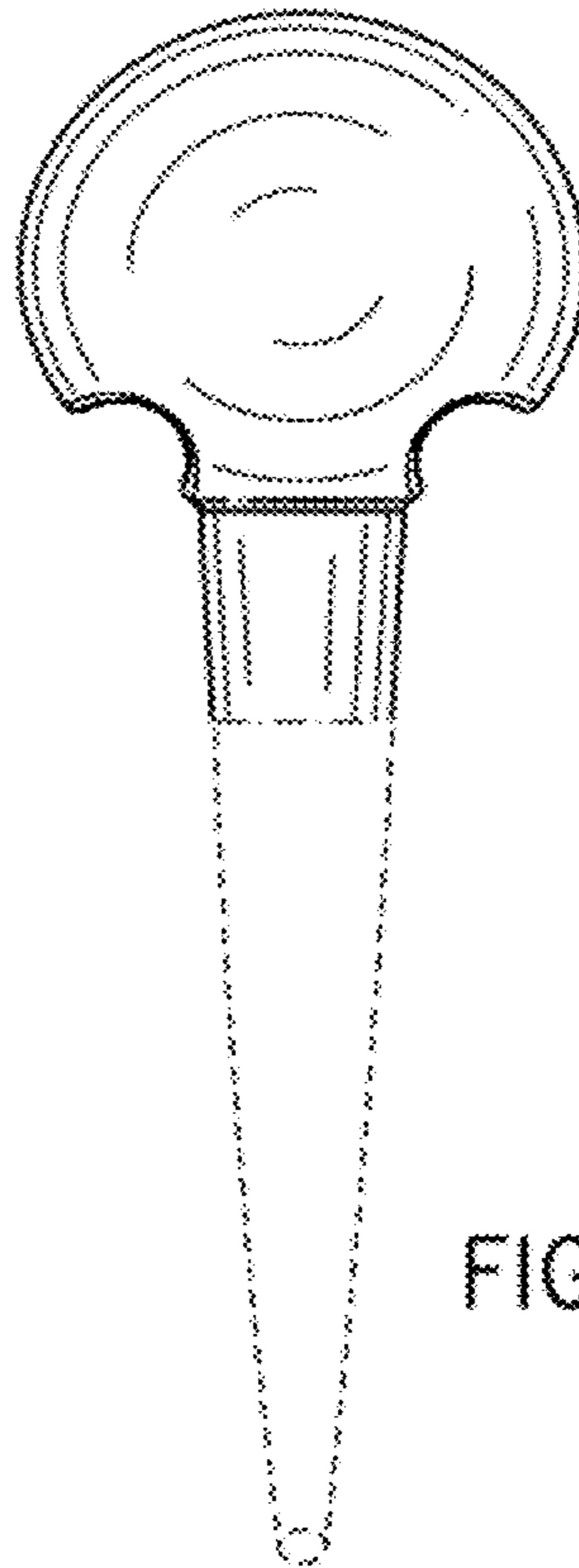


FIG. 3

FIG. 4

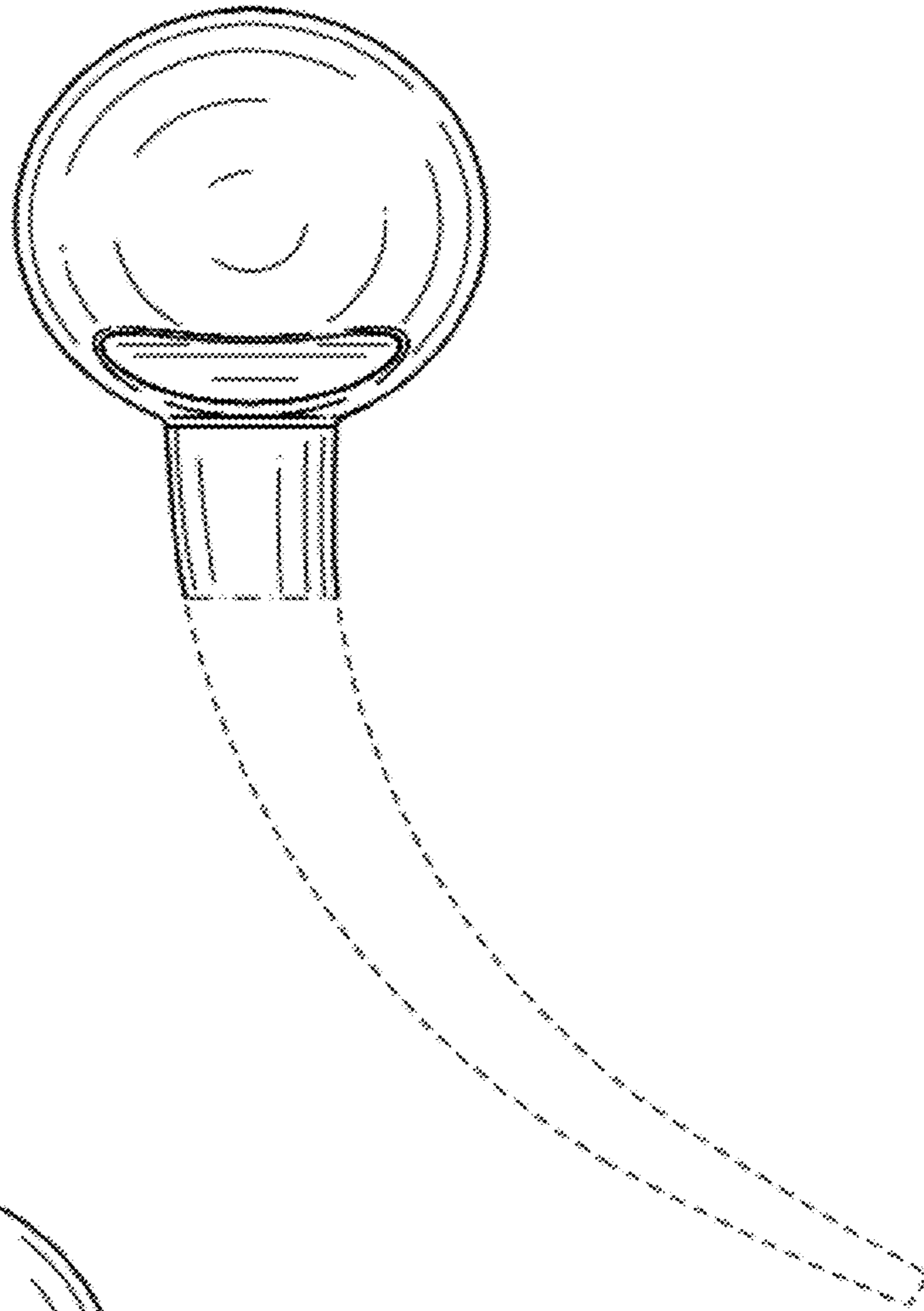


FIG. 5

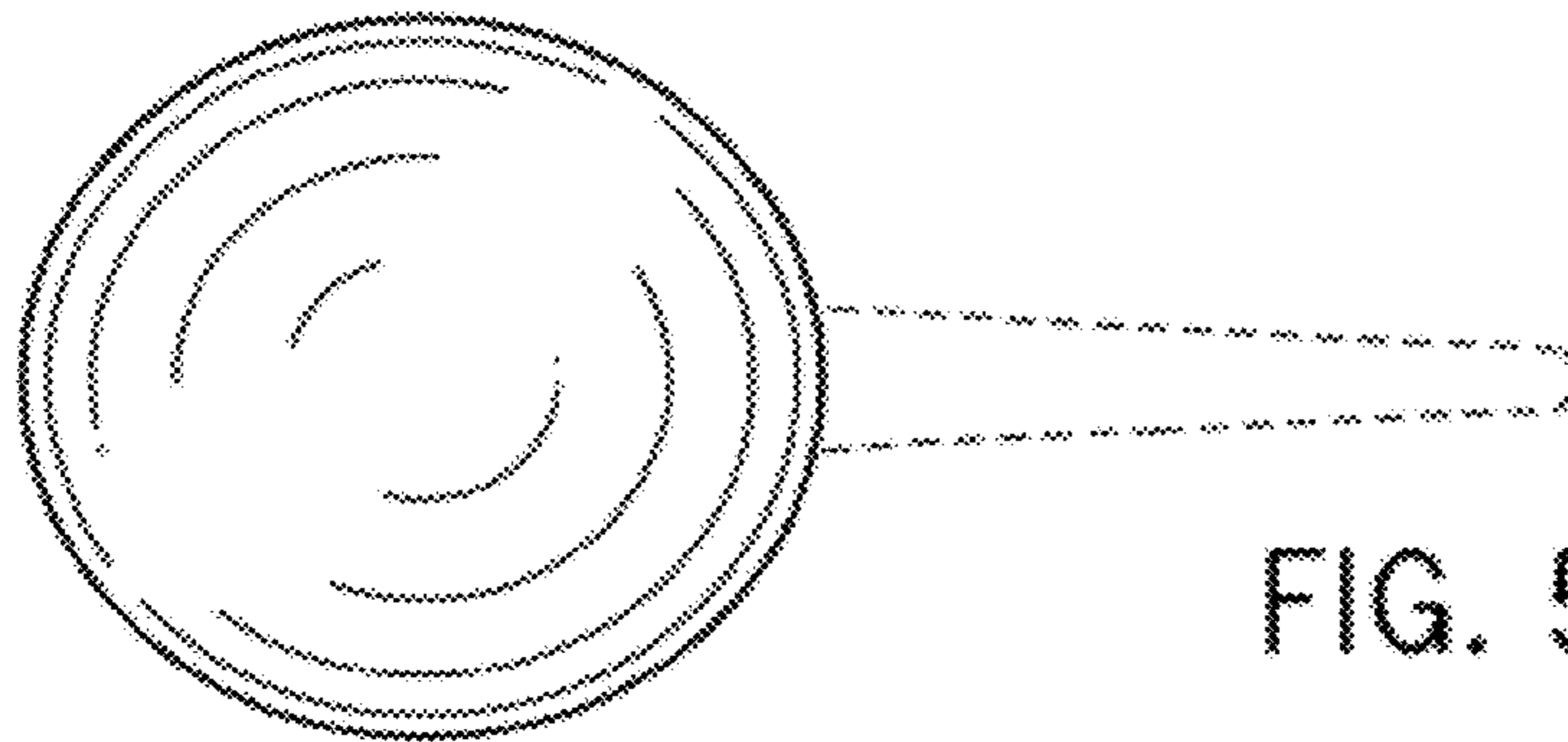


FIG. 6

