



US00D674087S

(12) **United States Design Patent**  
**Linton**

(10) **Patent No.:** **US D674,087 S**  
(45) **Date of Patent:** **\*\* Jan. 8, 2013**

(54) **VAGINAL SHIELD**

(76) Inventor: **Caralyn Reynolds Linton**, Willis, TX  
(US)

(\*\*) Term: **14 Years**

(21) Appl. No.: **29/392,733**

(22) Filed: **May 25, 2011**

(51) **LOC (9) Cl.** ..... **24-04**

(52) **U.S. Cl.** ..... **D24/122**

(58) **Field of Classification Search** ..... D24/121-123,  
D24/224, 124; D23/274, 302, 295, 309,  
D23/200; 604/346, 347, 354, 329, 317, 318,  
604/334; 128/830; 4/144.1-144.4, 459,  
4/460; 600/573, 574; D7/700

See application file for complete search history.

(56) **References Cited**

U.S. PATENT DOCUMENTS

3,339,208	A	9/1967	Marbach	
4,023,216	A *	5/1977	Li	4/144.3
4,202,058	A *	5/1980	Anderson	4/144.3
4,886,508	A *	12/1989	Washington	604/347
4,967,767	A *	11/1990	Harris et al.	128/830
5,174,307	A	12/1992	Thompson	
5,195,997	A *	3/1993	Carns	604/347
5,300,052	A *	4/1994	Kubo	604/349
5,687,429	A *	11/1997	Rahlff	4/144.4
5,894,608	A *	4/1999	Birbara	4/144.3

6,332,878	B1 *	12/2001	Wray et al.	128/830
D579,556	S *	10/2008	Stebler	D24/122
7,476,219	B2	1/2009	Youssef	
D587,367	S *	2/2009	Finn	D24/124
D619,246	S *	7/2010	Hazeres	D24/122
7,784,466	B2	8/2010	Clodius-Talmadge	
D623,290	S	9/2010	Young et al.	
8,202,263	B2 *	6/2012	Feloney	600/574
2008/0142020	A1	6/2008	Chapin	
2009/0071485	A1	3/2009	Clodius-Talmadge	
2009/0101155	A1	4/2009	Young et al.	

\* cited by examiner

*Primary Examiner* — David Muller

(74) *Attorney, Agent, or Firm* — QuickPatents, Inc.; Kevin Prince

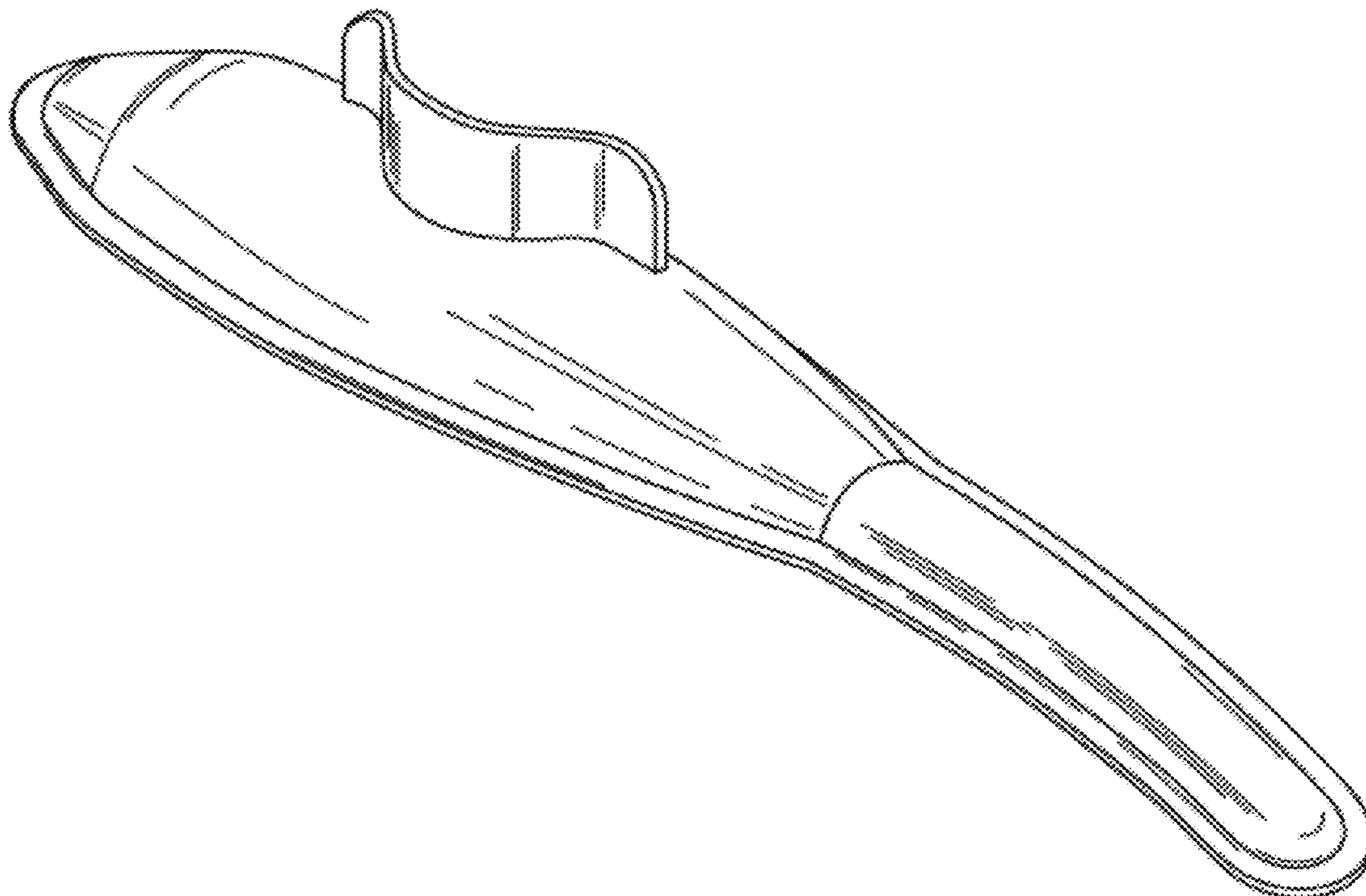
(57) **CLAIM**

I claim the ornamental design for a vaginal shield, as shown and described.

**DESCRIPTION**

FIG. 1 is a perspective view of a vaginal shield, showing my new design;  
FIG. 2 is a front elevational view thereof;  
FIG. 3 is a rear elevational view thereof;  
FIG. 4 is a left-side elevational view thereof;  
FIG. 5 is a right-side elevational view thereof;  
FIG. 6 is a top plan view thereof; and,  
FIG. 7 is a bottom plan view thereof.

**1 Claim, 3 Drawing Sheets**



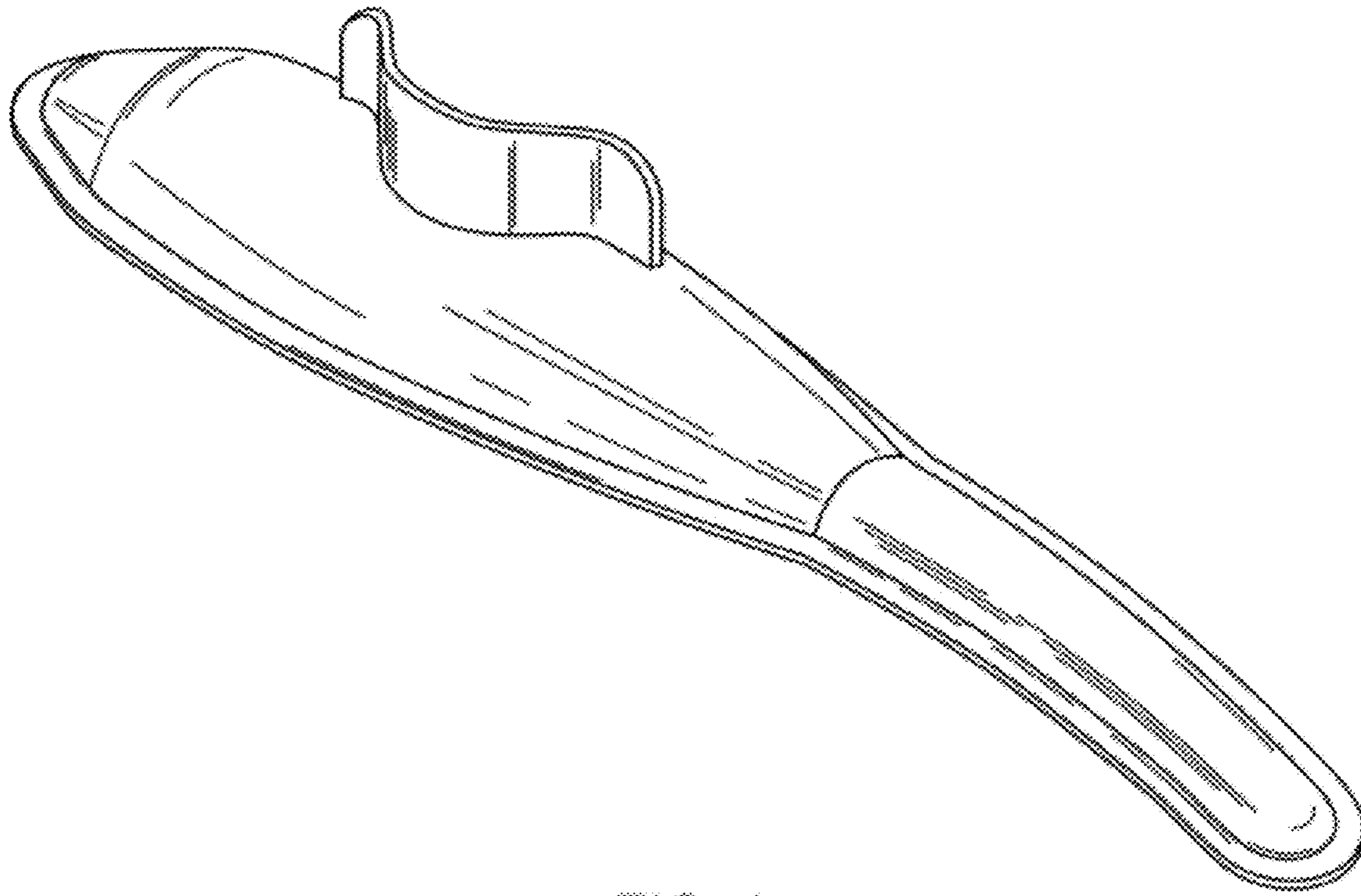


FIG. 1

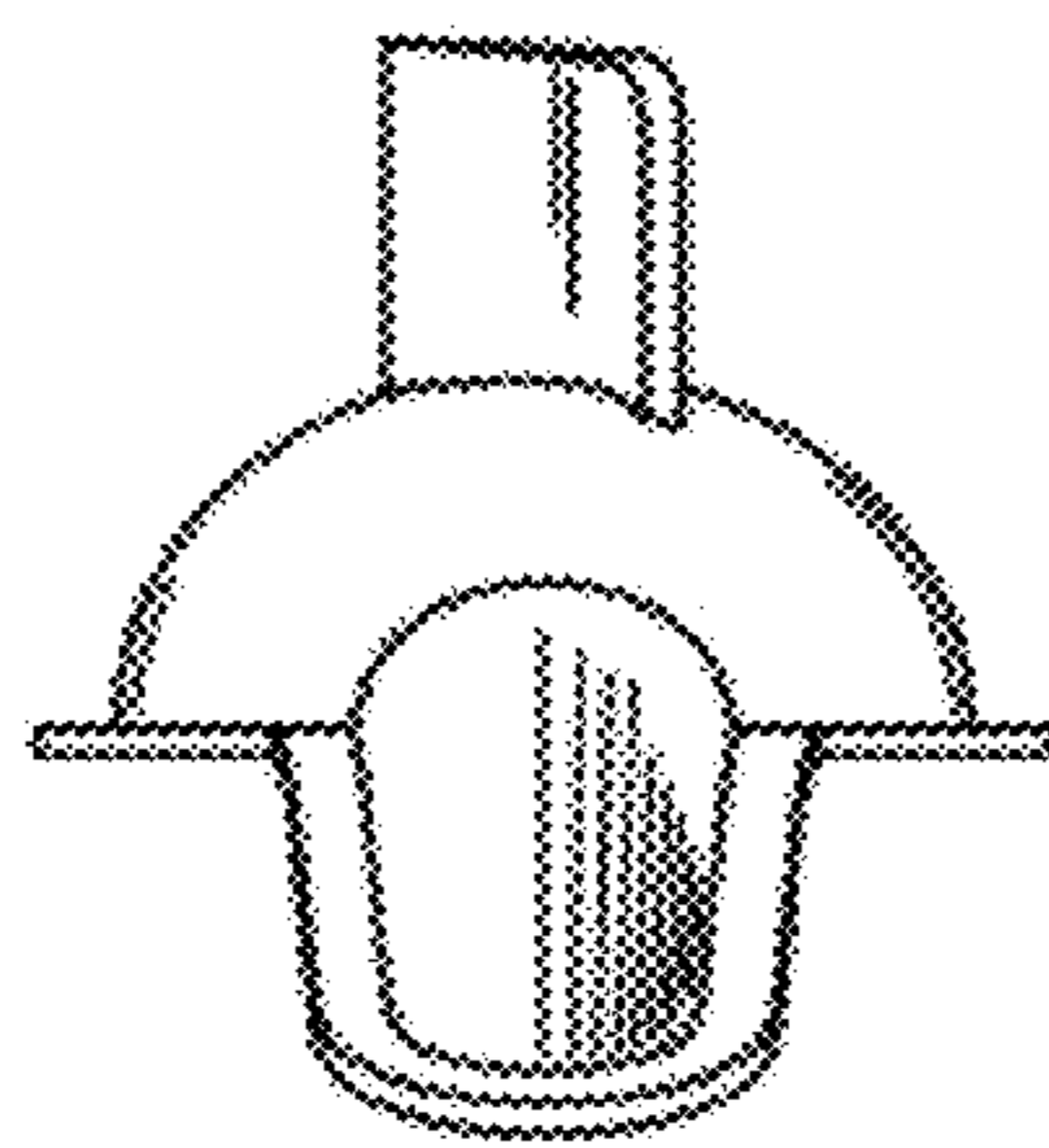


FIG. 2

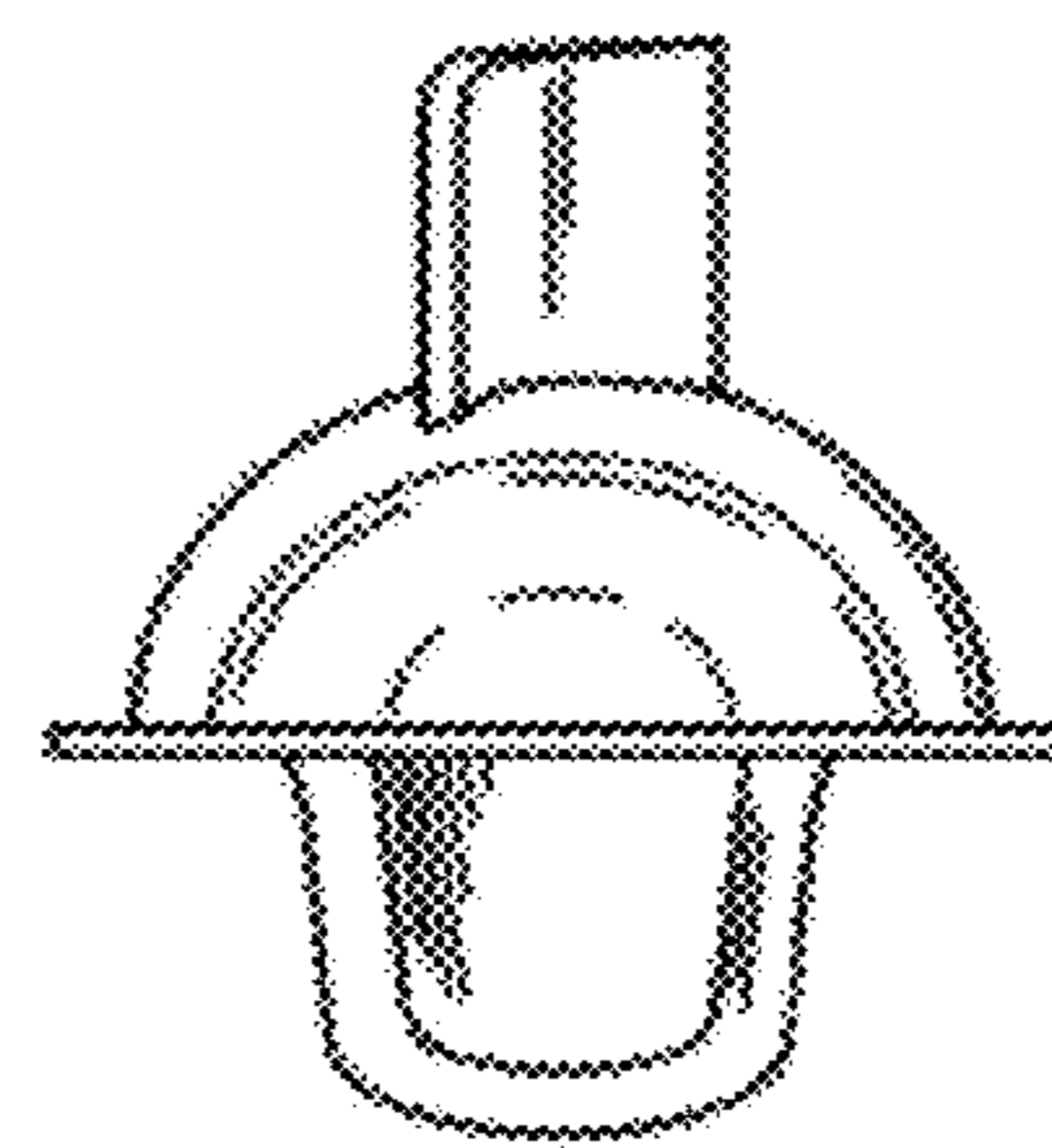


FIG. 3

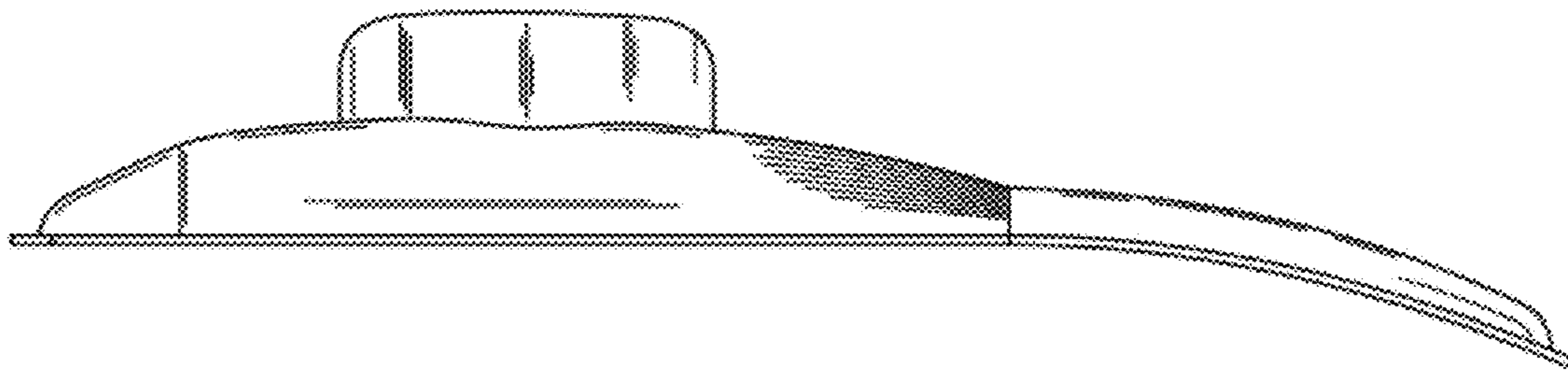


FIG. 4

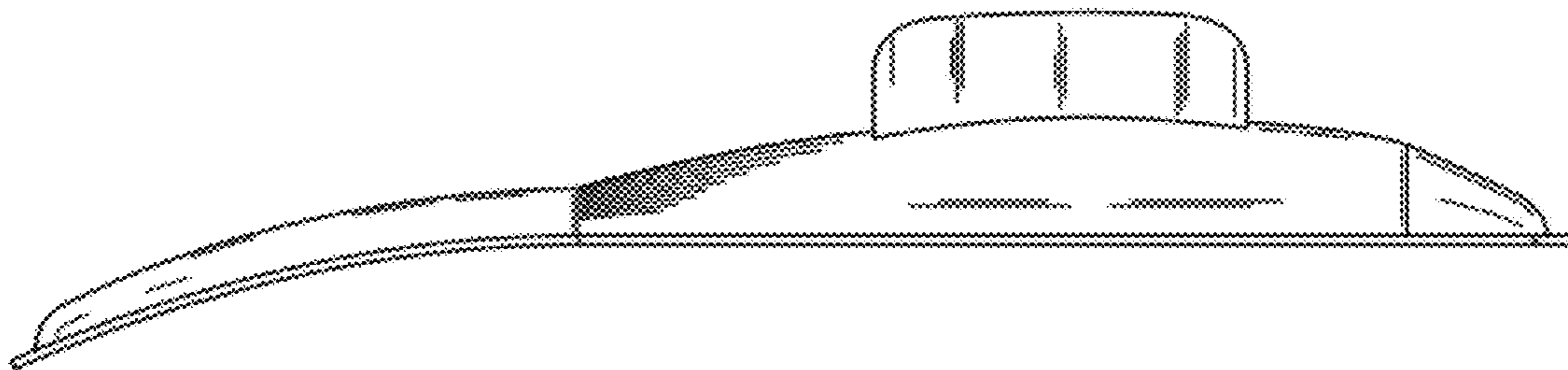


FIG. 5

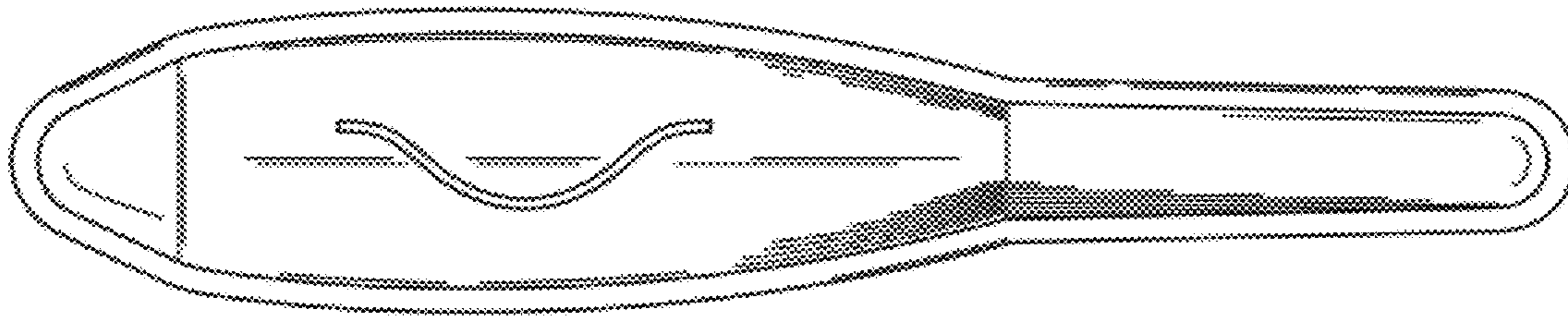


FIG. 6

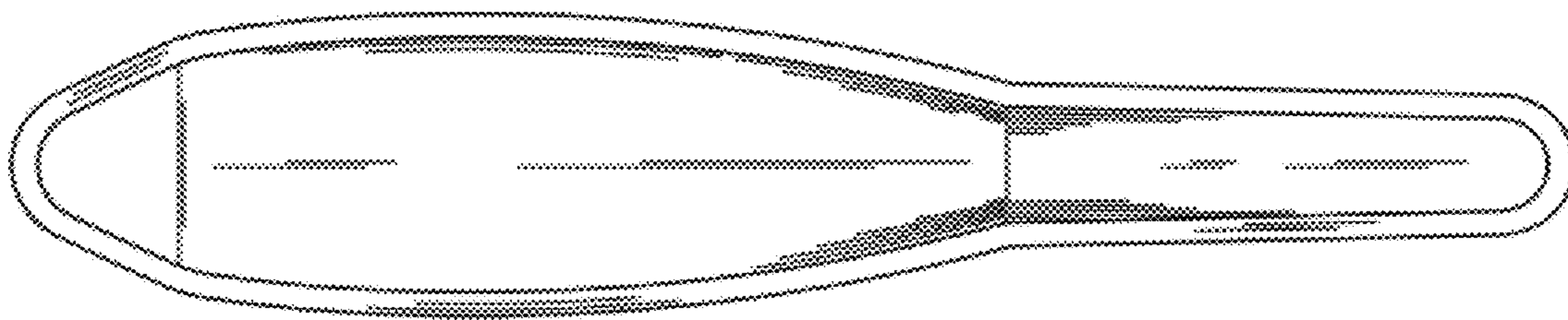


FIG. 7