



US00D674086S

(12) **United States Design Patent**
Khalaj

(10) **Patent No.:** **US D674,086 S**
(45) **Date of Patent:** **** Jan. 8, 2013**

(54) **SYRINGE DEVICE FOR FAT INJECTION**

(76) Inventor: **Ben M. Khalaj**, Lake Forest, CA (US)

(**) Term: **14 Years**

(21) Appl. No.: **29/395,869**

(22) Filed: **Apr. 16, 2012**

(51) **LOC (9) Cl.** **24-02**

(52) **U.S. Cl.** **D24/114**

(58) **Field of Classification Search** D24/112-114,
D24/133, 130, 127; 606/181, 185; 604/232,
604/187, 158, 164.08, 192, 263, 163, 181,
604/184, 198, 227; 264/259

See application file for complete search history.

(56) **References Cited**

U.S. PATENT DOCUMENTS

5,115,816	A	*	5/1992	Lee	D24/130
D335,344	S	*	5/1993	Hastings	D24/114
D366,698	S	*	1/1996	Stiehl et al.	D24/114
5,498,243	A	*	3/1996	Vallelunga et al.	604/198
D377,687	S	*	1/1997	Udovch	D24/114
D383,205	S	*	9/1997	Pagay et al.	D24/112
D419,671	S	*	1/2000	Jansen	D24/112
D445,176	S	*	7/2001	Landers	D24/114

D447,797	S	*	9/2001	Odell et al.	D24/112
D543,278	S	*	5/2007	Numata et al.	D24/130
D578,210	S	*	10/2008	Muta et al.	D24/114
7,544,181	B2	*	6/2009	Axelsson et al.	604/187
7,842,217	B2	*	11/2010	Enns et al.	264/259

* cited by examiner

Primary Examiner — David Muller

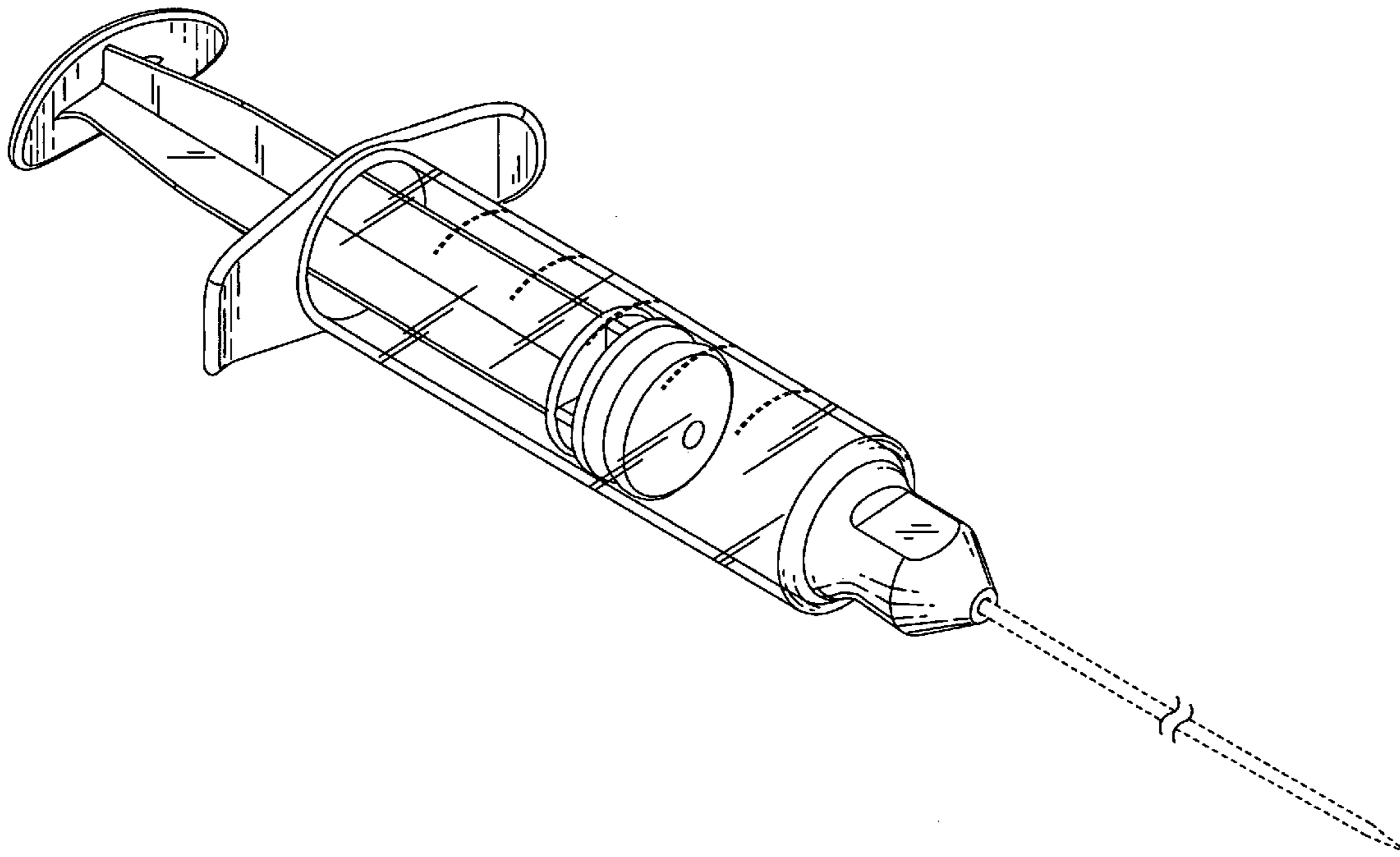
(57) **CLAIM**

The ornamental design for a syringe device for fat injection, as shown & described.

DESCRIPTION

FIG. 1 is a perspective view of a syringe device for fat injection showing my new design;
FIG. 2 is a top plan view thereof;
FIG. 3 is a right side elevation view thereof;
FIG. 4 is a rear elevation view thereof;
FIG. 5 is a front elevation view thereof
FIG. 6 is bottom plan view thereof;
FIG. 7 is a left side elevation view thereof; and,
FIG. 8 is a partial section view taken from line 8-8 in FIG. 2.
The features shown in broken lines depict environmental subject matter only and form no part of the claimed design.

1 Claim, 3 Drawing Sheets



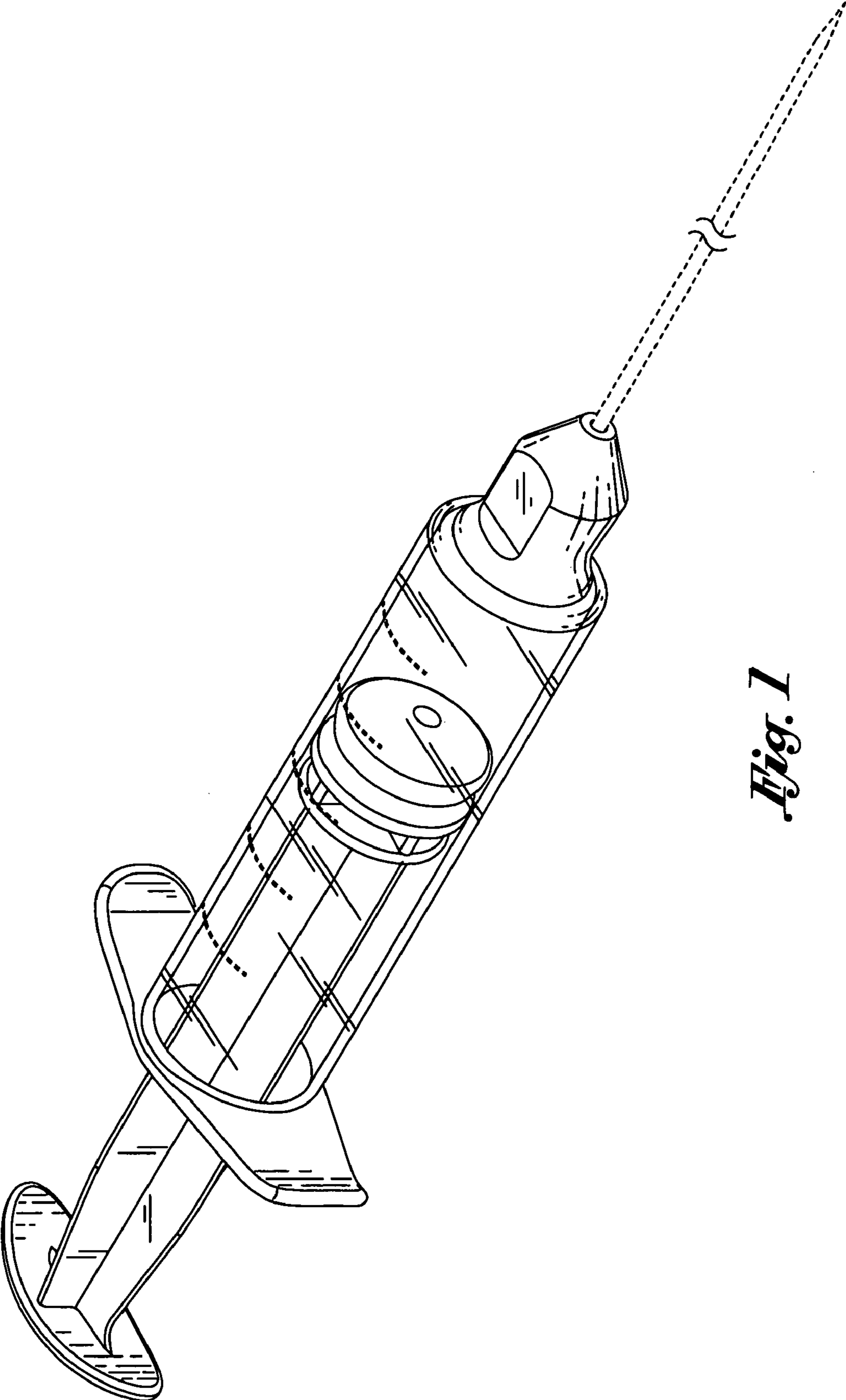
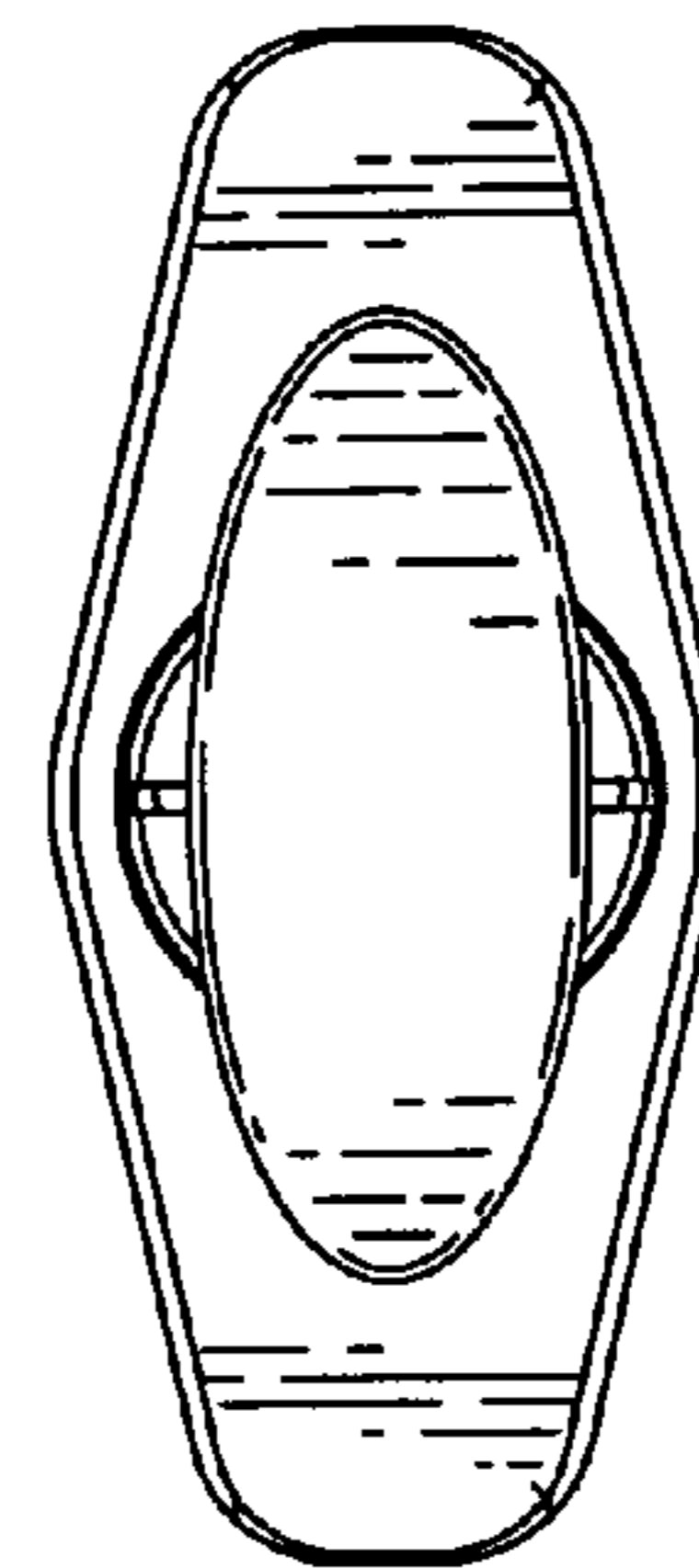
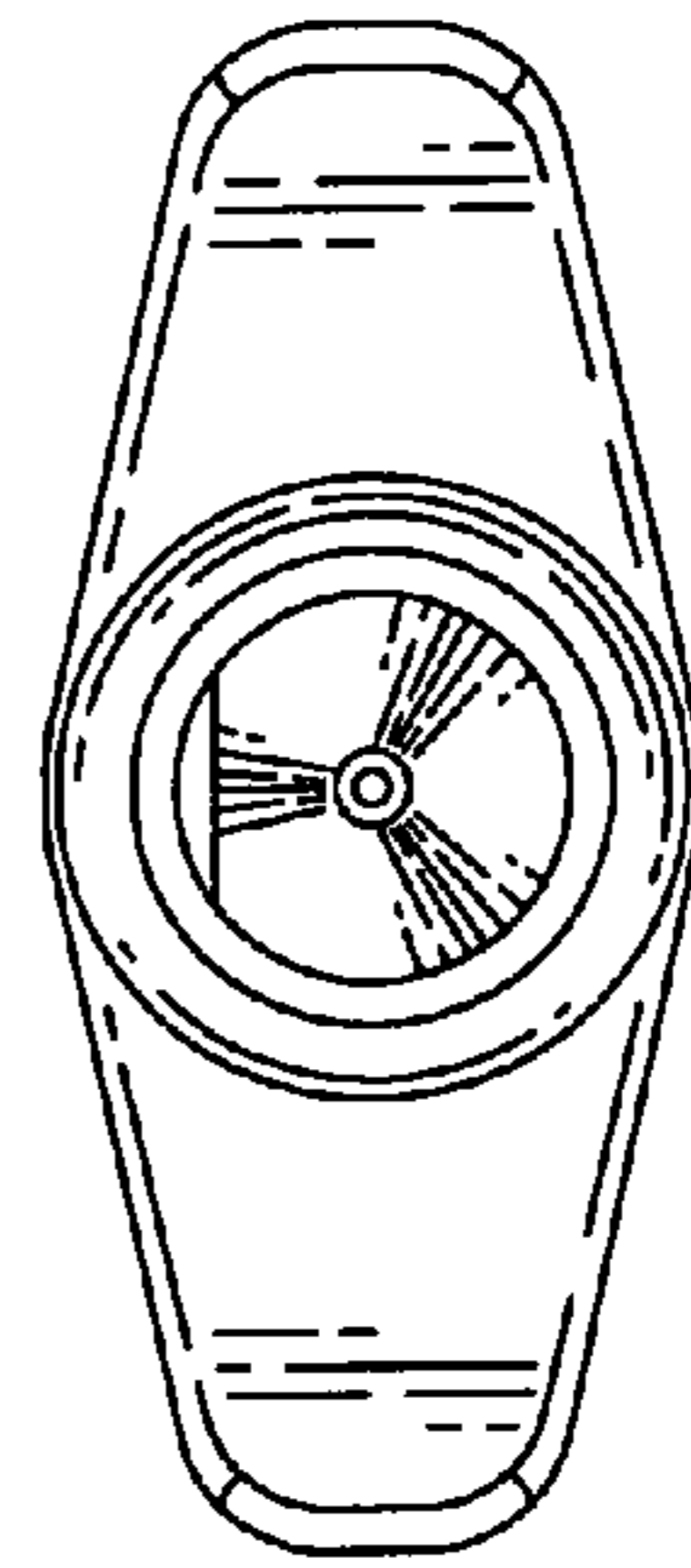
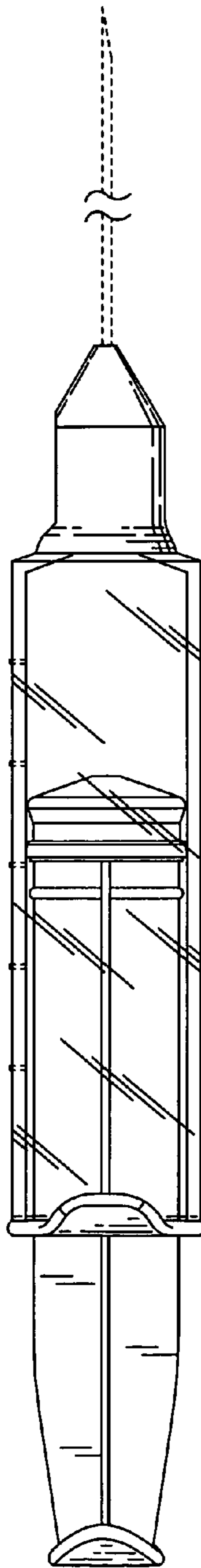
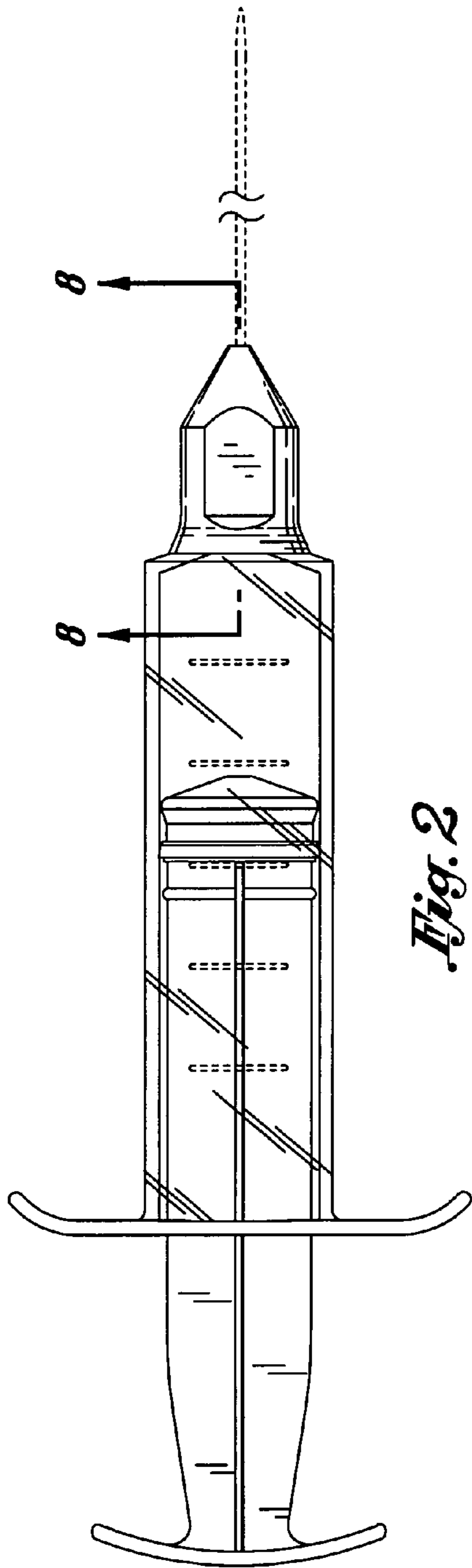


Fig. 1



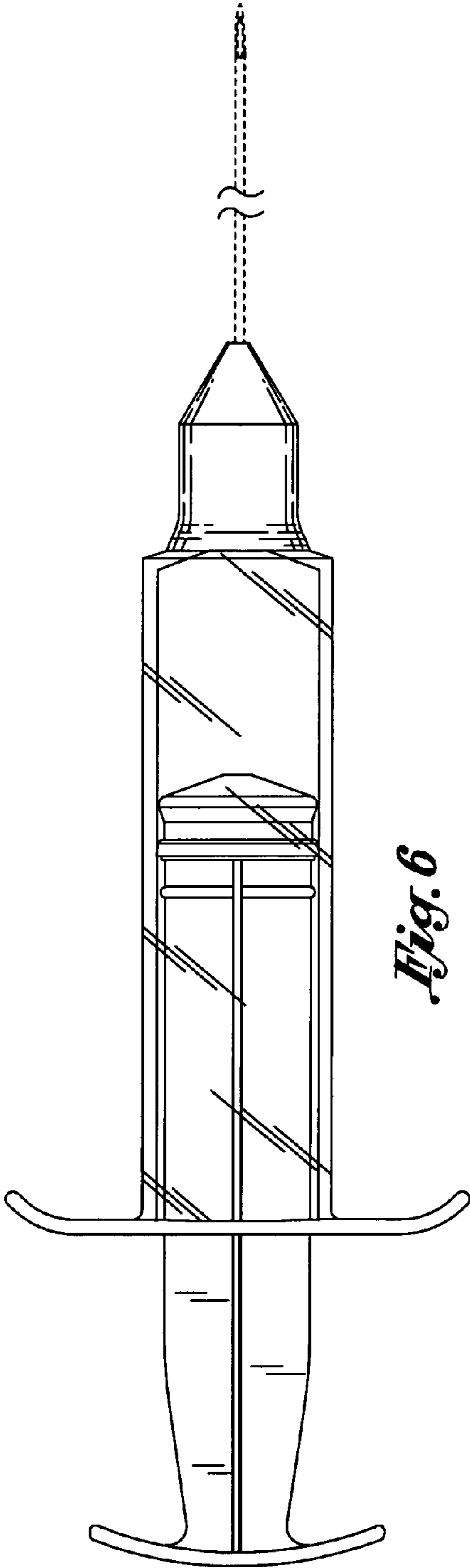


Fig. 6

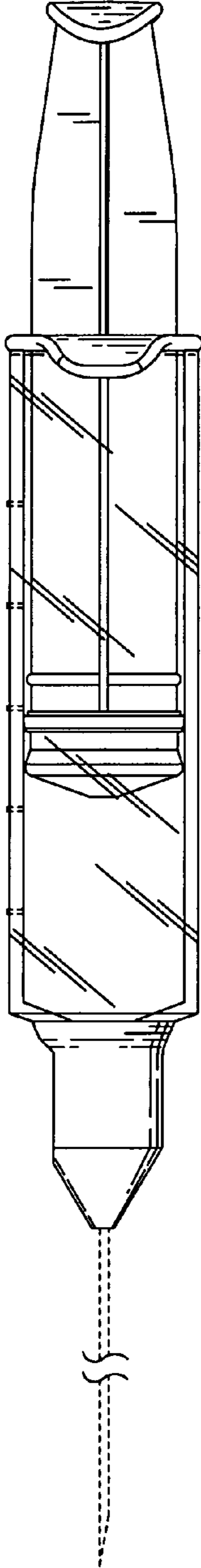


Fig. 7

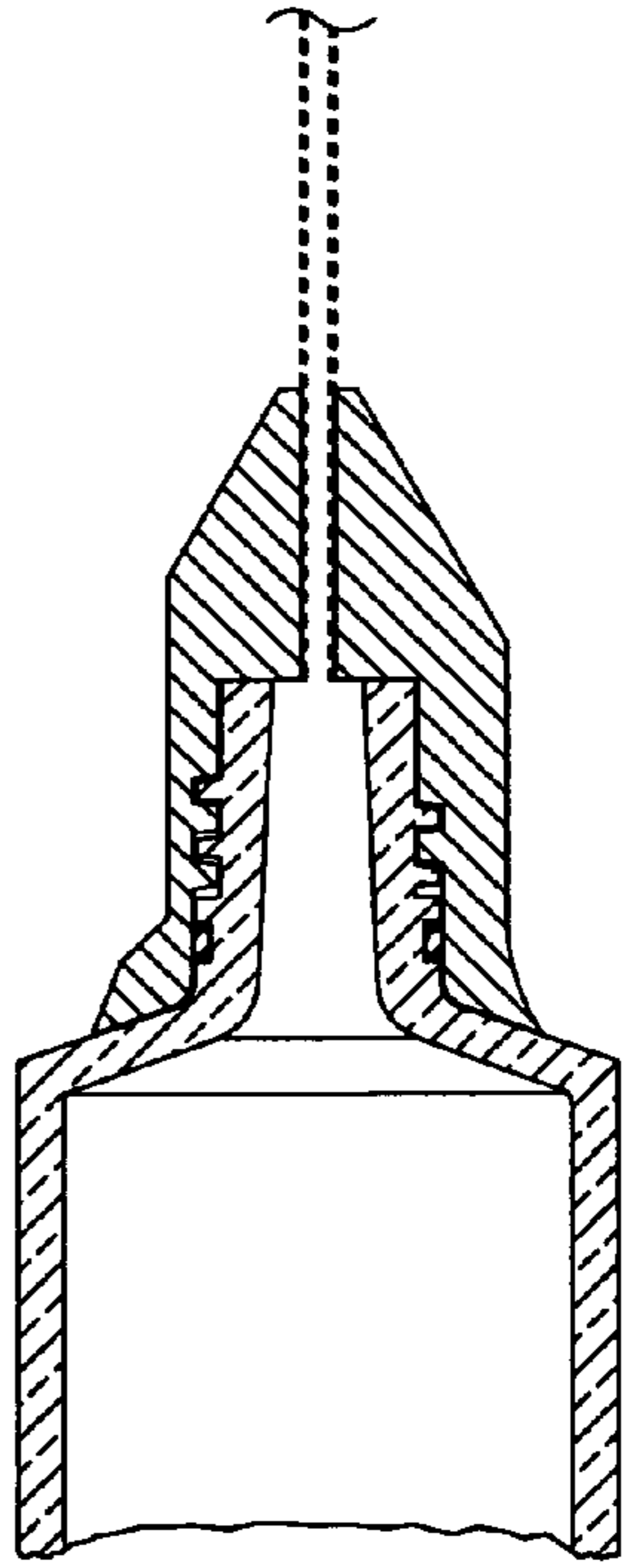


Fig. 8