

US00D674085S

(12) **United States Design Patent**  
**Fujioka et al.**

(10) **Patent No.:** **US D674,085 S**  
(45) **Date of Patent:** **\*\* Jan. 8, 2013**

- (54) **SYRINGE DRIVE DEVICE**
- (75) Inventors: **Soichiro Fujioka**, Osaka (JP); **Mizuho Sakakibara**, Tokyo (JP); **Tohru Nakamura**, Osaka (JP)
- (73) Assignee: **Panasonic Corporation**, Osaka (JP)
- (\*\*) Term: **14 Years**
- (21) Appl. No.: **29/366,585**
- (22) Filed: **Jul. 27, 2010**
- (30) **Foreign Application Priority Data**  
Jan. 29, 2010 (JP) ..... 2010-002029
- (51) **LOC (9) Cl.** ..... **24-02**
- (52) **U.S. Cl.** ..... **D24/113**
- (58) **Field of Classification Search** ..... D24/112-114,  
D24/133, 186, 104, 130, 127; 606/181, 185;  
604/232, 187, 158, 164.08, 192, 263, 163,  
604/181, 184, 198, 227; D6/601, 596, 595,  
D6/574; D21/500; D25/113, 118, 140, 199;  
52/561  
See application file for complete search history.

- (56) **References Cited**  
**U.S. PATENT DOCUMENTS**  
D337,821 S 7/1993 Tan  
D366,177 S \* 1/1996 Dean ..... D6/596  
D404,954 S \* 2/1999 Spaeth ..... D6/601  
D417,999 S \* 12/1999 Ingram ..... D6/595  
D418,341 S \* 1/2000 Carville et al. .... D6/574

- D434,159 S \* 11/2000 Hampel ..... D25/113
- D477,491 S \* 7/2003 Hoernig ..... D6/574
- D486,029 S \* 2/2004 Morikawa ..... D6/601
- D569,161 S \* 5/2008 Gaddy ..... D6/601
- D576,273 S 9/2008 McClintok et al.
- D605,758 S \* 12/2009 Schwartz et al. .... D24/133
- 7,743,574 B2 \* 6/2010 Tufts et al. .... 52/561
- D643,125 S \* 8/2011 Seidel ..... D6/601
- D646,401 S \* 10/2011 Harris ..... D25/113
- D650,068 S \* 12/2011 Fujioka et al. .... D24/113

\* cited by examiner

*Primary Examiner* — David Muller

(74) *Attorney, Agent, or Firm* — Brinks Hofer Gilson & Lione

(57) **CLAIM**

We claim the ornamental design for a syringe drive device, as shown and described.

**DESCRIPTION**

FIG. 1 is a top perspective view of a syringe drive device of the present invention;  
 FIG. 2 is a front view thereof;  
 FIG. 3 is a rear view thereof;  
 FIG. 4 is a first side view thereof;  
 FIG. 5 is a second side view thereof;  
 FIG. 6 is a top view thereof;  
 FIG. 7 is a bottom view thereof; and,  
 FIG. 8 is a top perspective view thereof shown in an environmental use.  
 The broken line showing of syringe drive device is included for the purpose of illustrating environment and forms no part of the claimed design.

**1 Claim, 8 Drawing Sheets**

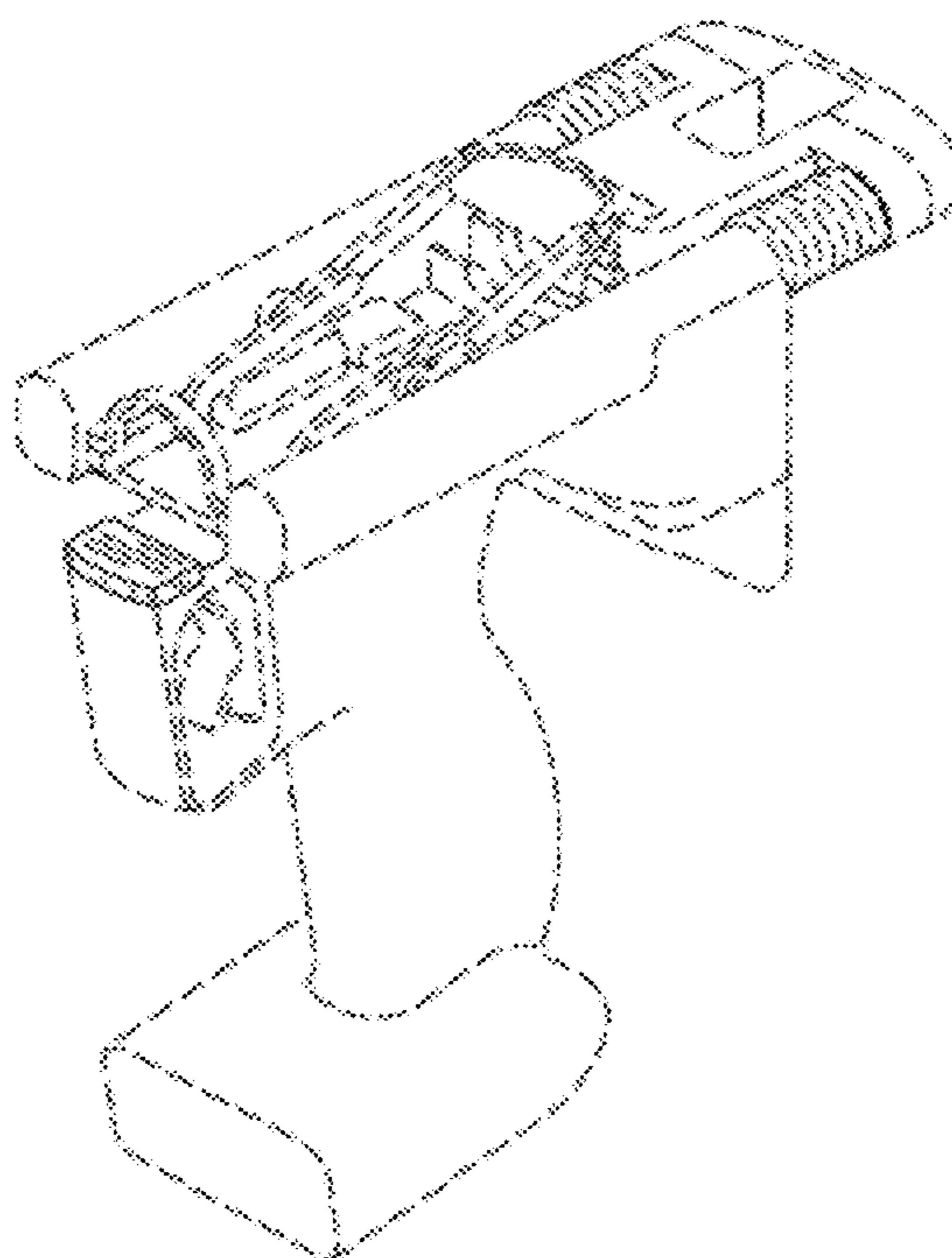


FIG.1

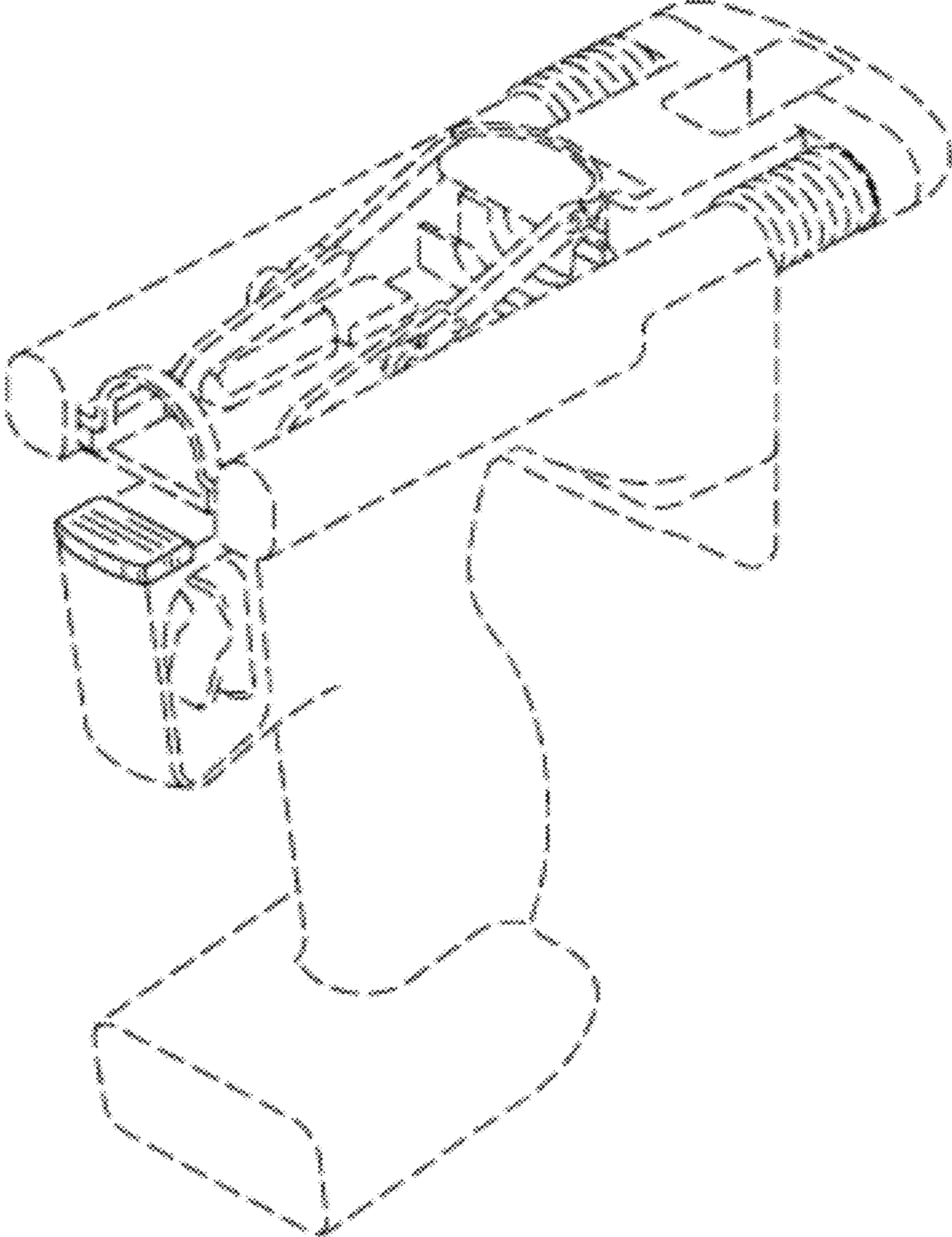


FIG.2

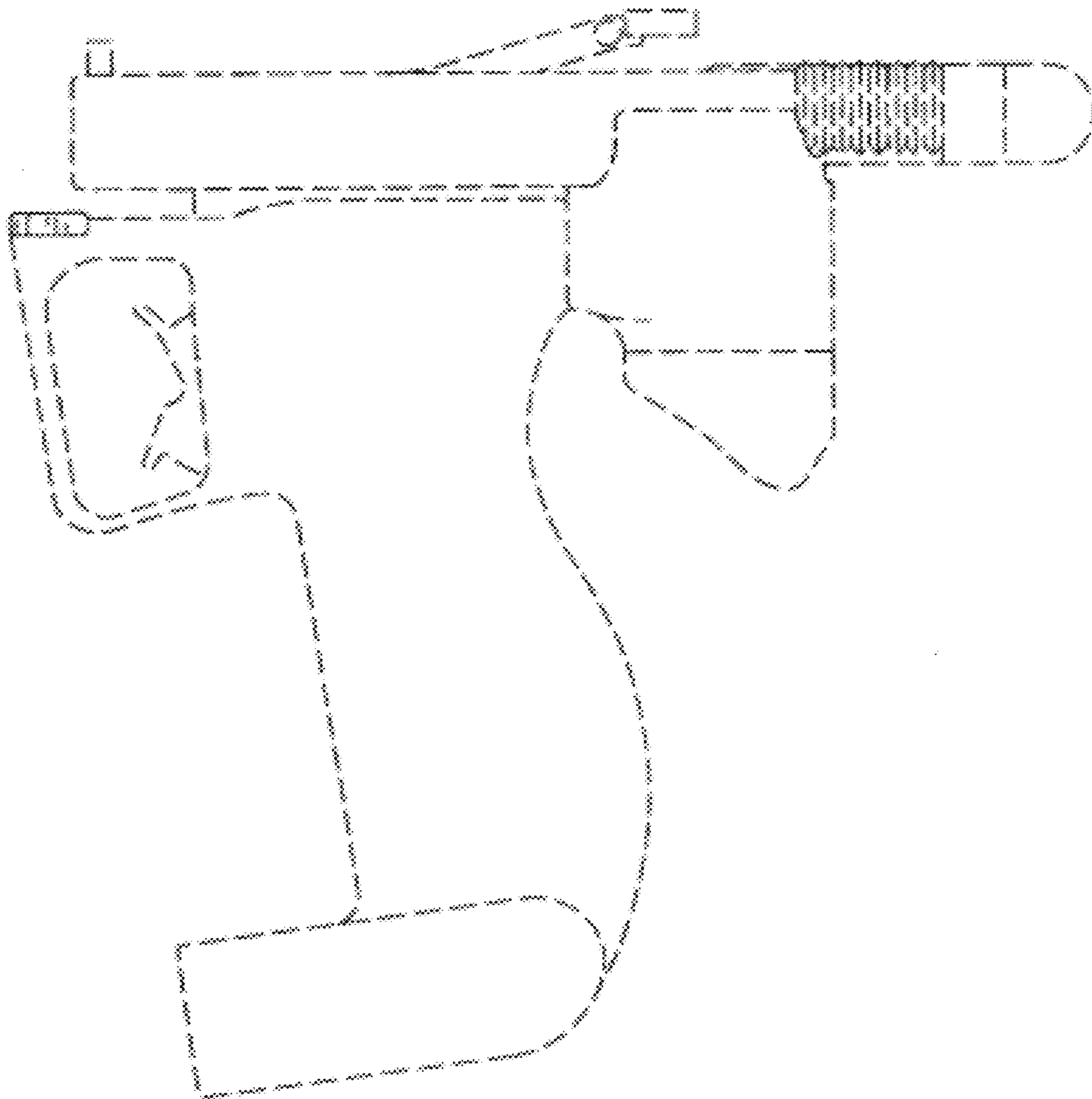


FIG.3

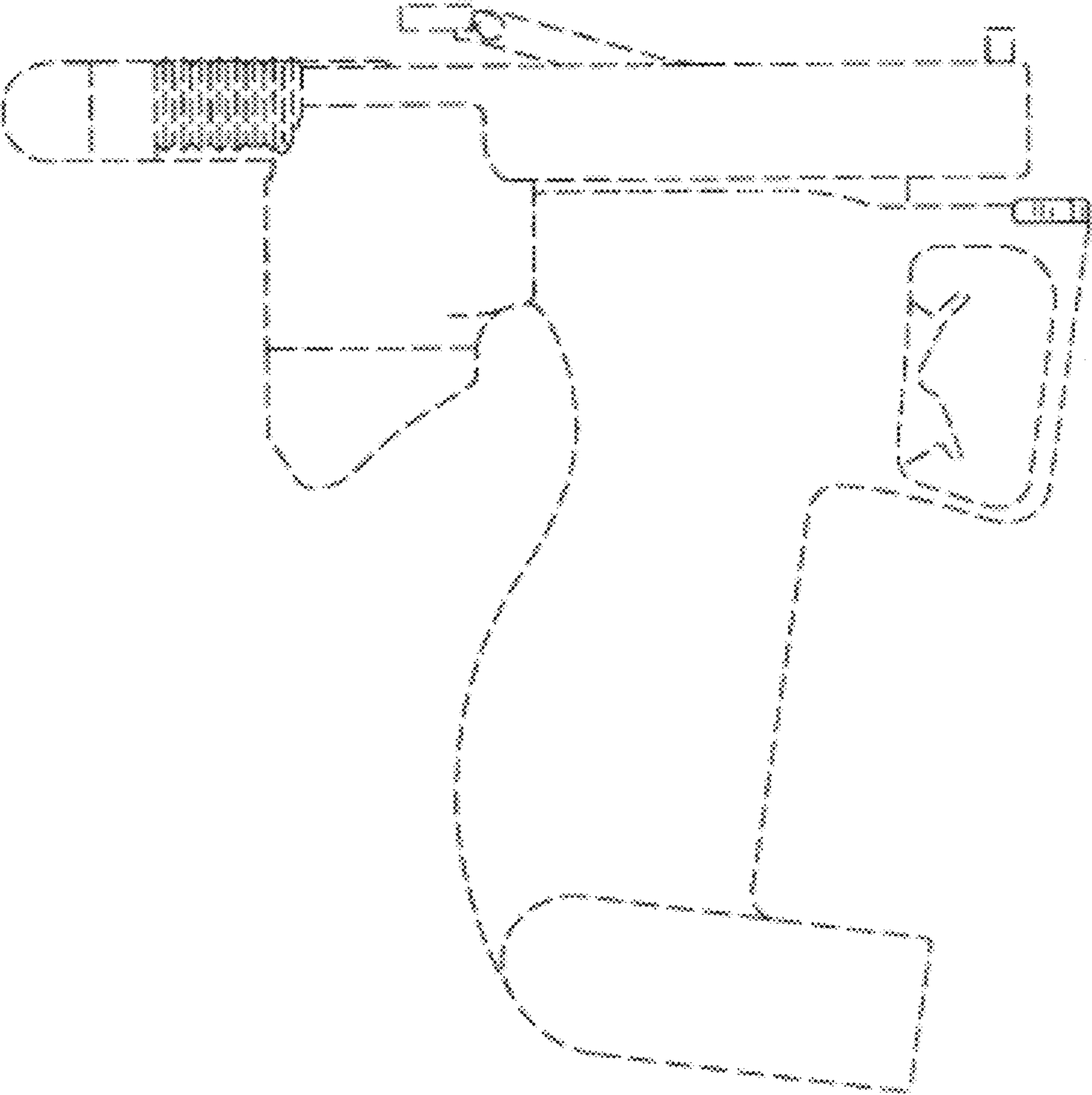


FIG.4

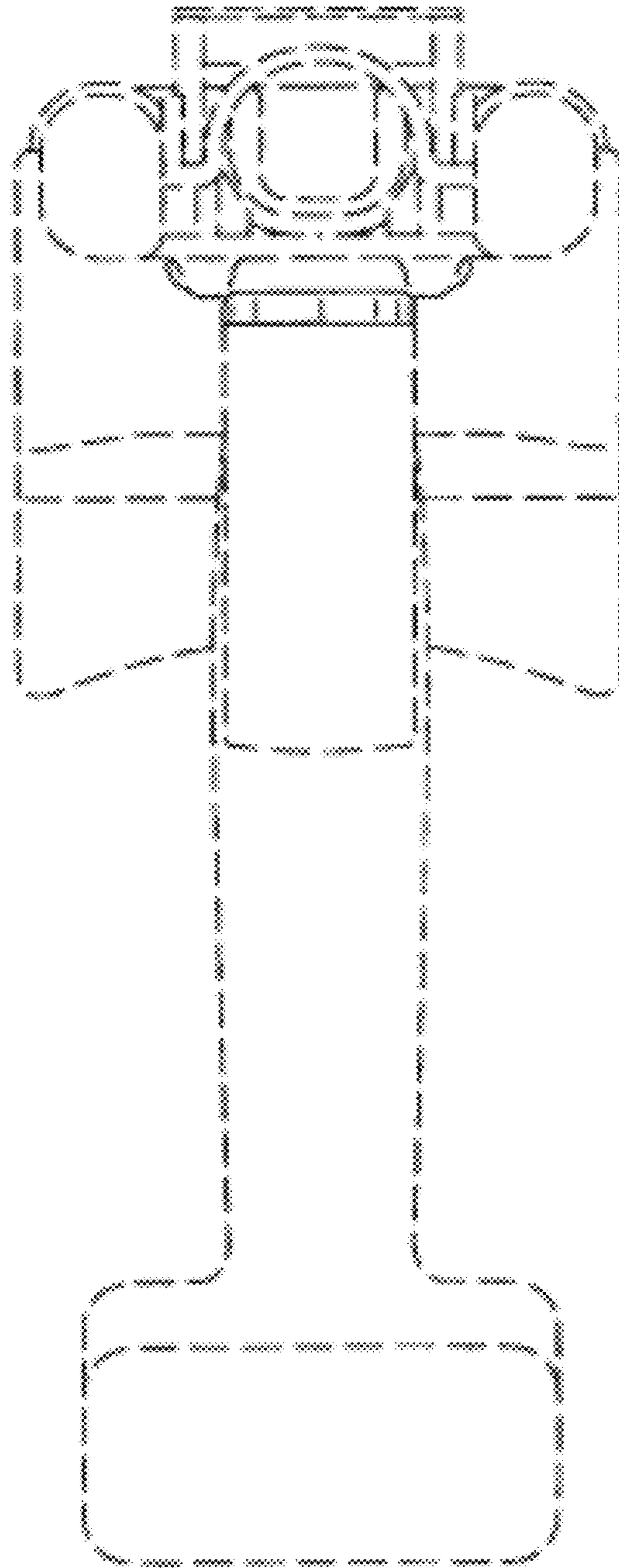


FIG.5

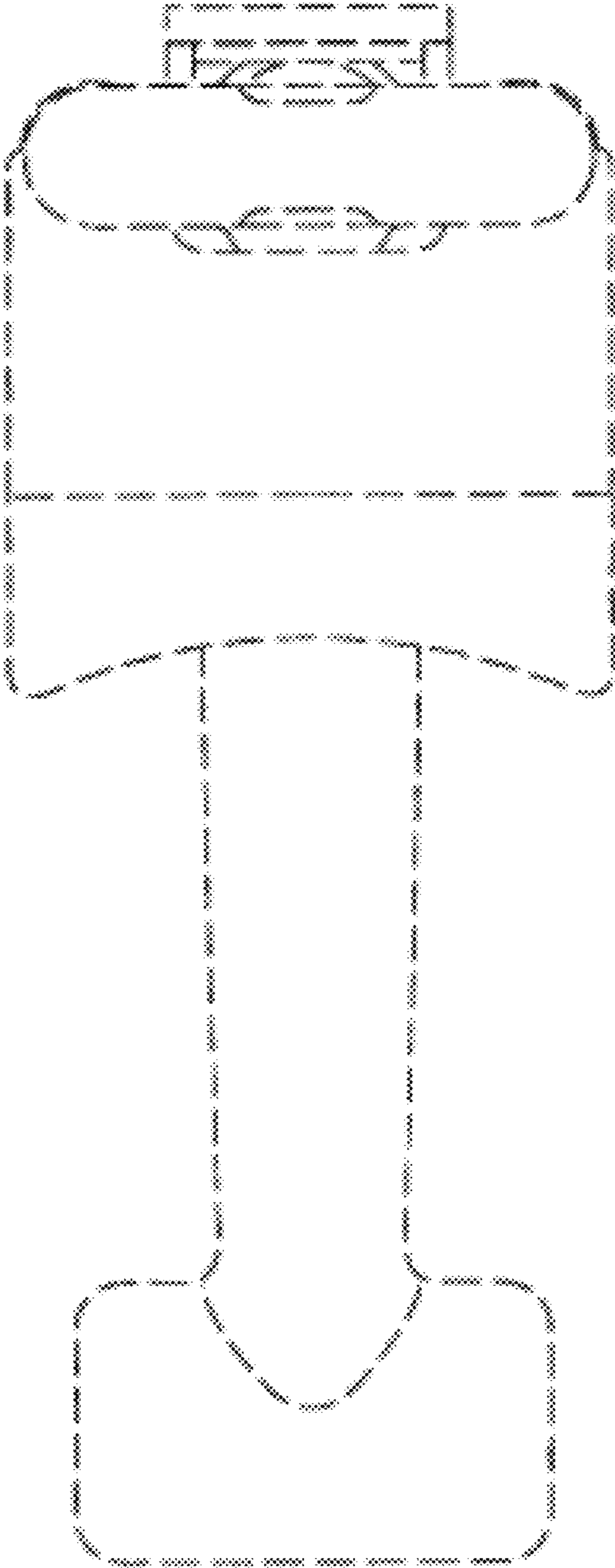


FIG.6

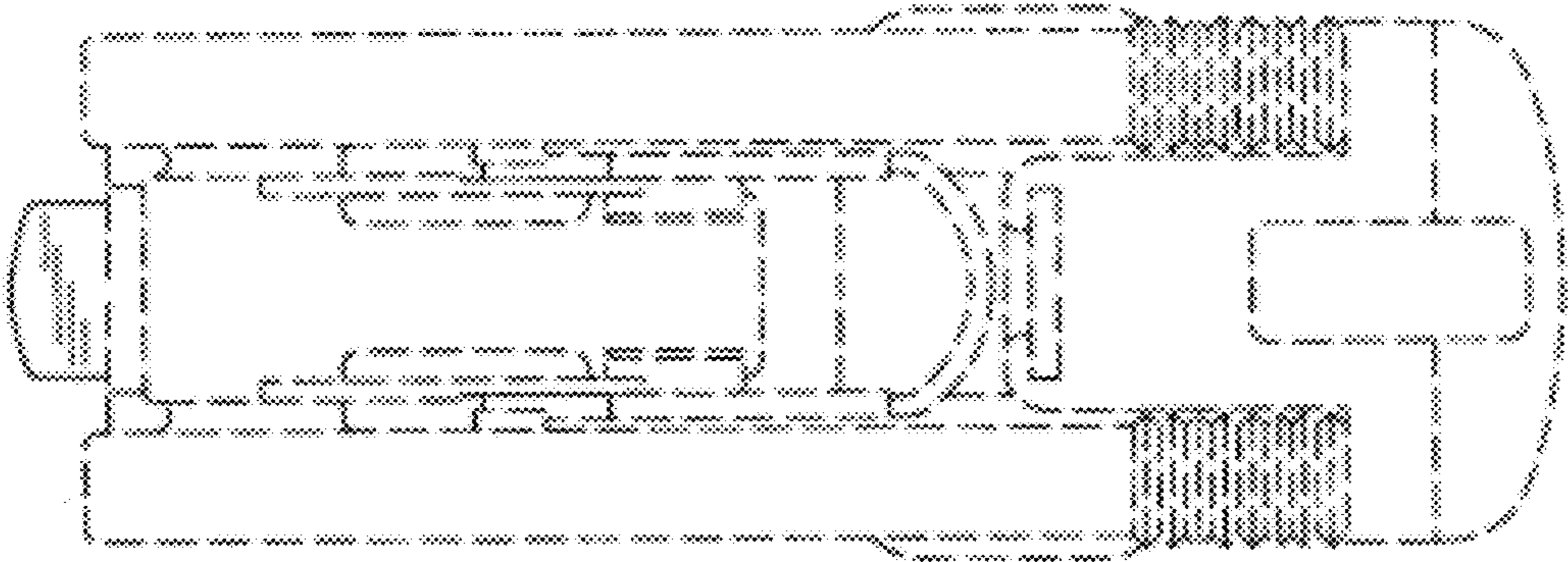


FIG.7

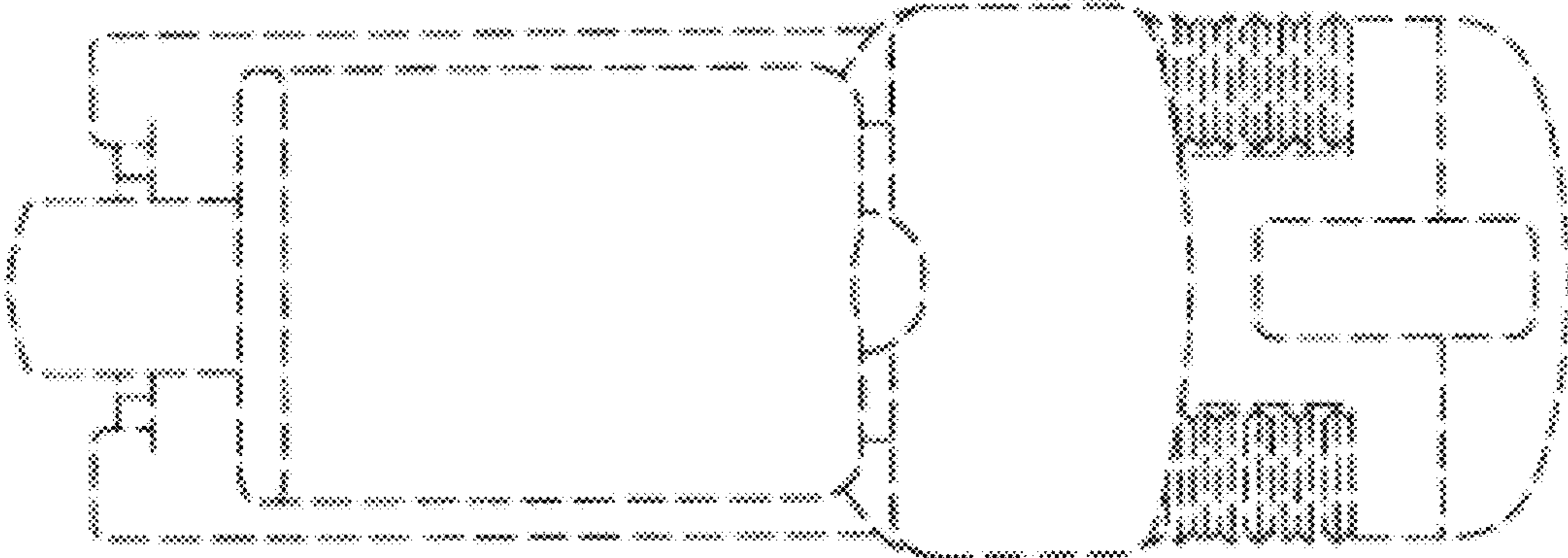




FIG.8

