



US00D674084S

(12) **United States Design Patent**
Linnenschmidt

(10) **Patent No.:** **US D674,084 S**
(45) **Date of Patent:** **** Jan. 8, 2013**

(54) **PUNCTURE CANNULA**

(75) Inventor: **Fred Linnenschmidt**, Tuttlingen (DE)

(73) Assignee: **MTP Medical Technical Promotion GmbH** (DE)

(**) Term: **14 Years**

(21) Appl. No.: **29/411,437**

(22) Filed: **Jan. 20, 2012**

(30) **Foreign Application Priority Data**

Jul. 21, 2011 (GB) 4021358

(51) **LOC (9) Cl.** **24-02**

(52) **U.S. Cl.** **D24/112**

(58) **Field of Classification Search** D24/112-114,
D24/133, 186, 130, 127, 129; 606/181, 185;
604/164.01-164.09, 533, 232, 187, 168.01,
604/192, 19, 48, 93.01, 264, 523, 524, 526,
604/22; 600/101, 139, 143; 128/200.24,
128/207.14, 207.15

See application file for complete search history.

(56) **References Cited**

U.S. PATENT DOCUMENTS

4,060,083	A *	11/1977	Hanson	D24/114
4,735,604	A *	4/1988	Watmough et al.	604/22
D313,277	S *	12/1990	Haining	D24/129
D321,252	S *	10/1991	Jepson et al.	D24/112
5,167,640	A *	12/1992	Balding	D24/130
5,312,351	A *	5/1994	Gerrone	604/264
D353,456	S *	12/1994	Fayngold et al.	D24/130
D358,465	S *	5/1995	Klein et al.	D24/112
D365,630	S *	12/1995	Sullivan	D24/112
D372,403	S *	8/1996	Jensen	D24/114
5,562,631	A *	10/1996	Bogert	604/192
5,645,556	A *	7/1997	Yoon	606/185

D397,217 S * 8/1998 Brookfield D24/130

* cited by examiner

Primary Examiner — David Muller

(74) *Attorney, Agent, or Firm* — St. Onge Steward Johnston & Reens LLC

(57) **CLAIM**

The ornamental design for a puncture cannula, as shown and described.

DESCRIPTION

FIG. 1 is a front left side isometric view of a puncture cannula in accordance with the new design, showing the cap separated;

FIG. 2 is a cross-sectional view of the puncture cannula of FIG. 1 with the cap on, taken along line 2-2 in FIG. 3;

FIG. 3 is a front left side isometric view thereof;

FIG. 4 is a rear isometric view thereof;

FIG. 5 is a left side elevation view thereof, the right side elevation view being a mirror image;

FIG. 6 is a top plan view thereof, the bottom plan view being a mirror image;

FIG. 7 is a front elevation view thereof.

FIG. 8 is a front left side isometric view of the puncture cannula of FIG. 1, with the cap removed for ease of illustration;

FIG. 9 is a left side elevation view thereof, the right side elevation view being a mirror image;

FIG. 10 is a top plan view thereof, the bottom plan view being a mirror image;

FIG. 11 is a front elevation view thereof;

FIG. 12 is a rear elevation view thereof.

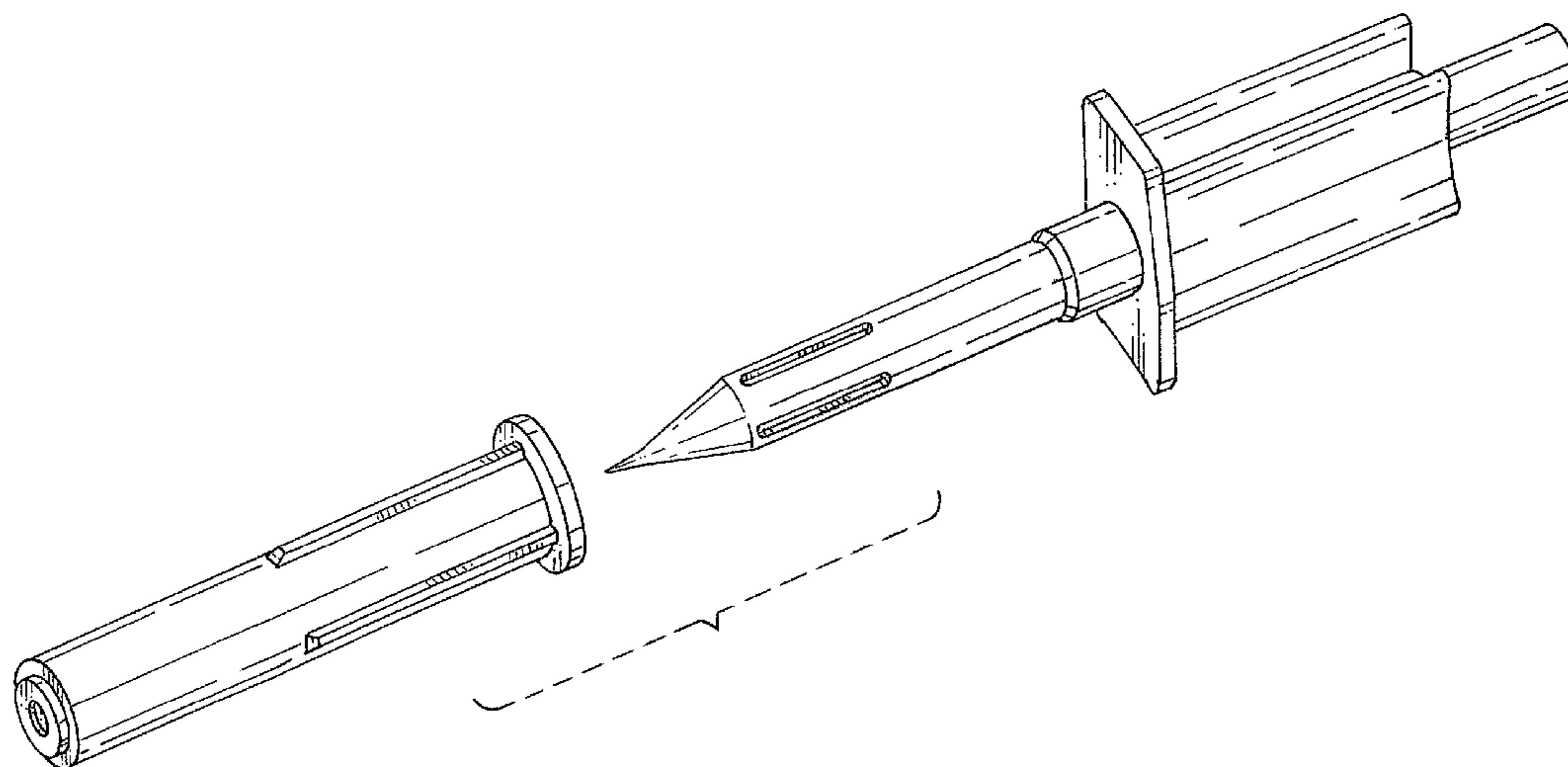
FIG. 13 is a top left side isometric view of the cap of FIG. 1, with the rest of the cannula omitted for ease of illustration;

FIG. 14 is a left side elevation view thereof, the right side elevation view being a mirror image;

FIG. 15 is a front elevation view thereof; and,

FIG. 16 is a rear elevation view thereof.

1 Claim, 5 Drawing Sheets



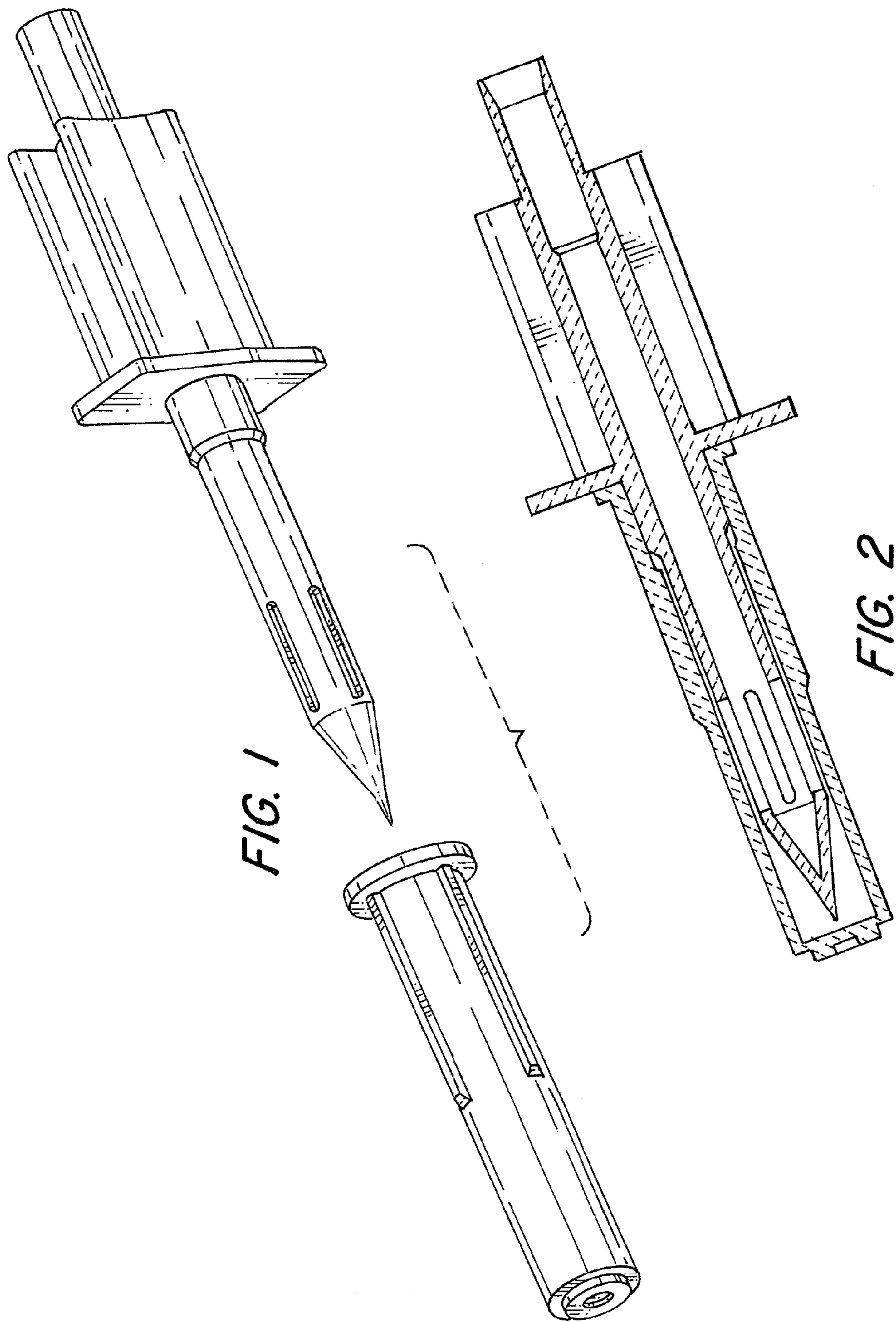
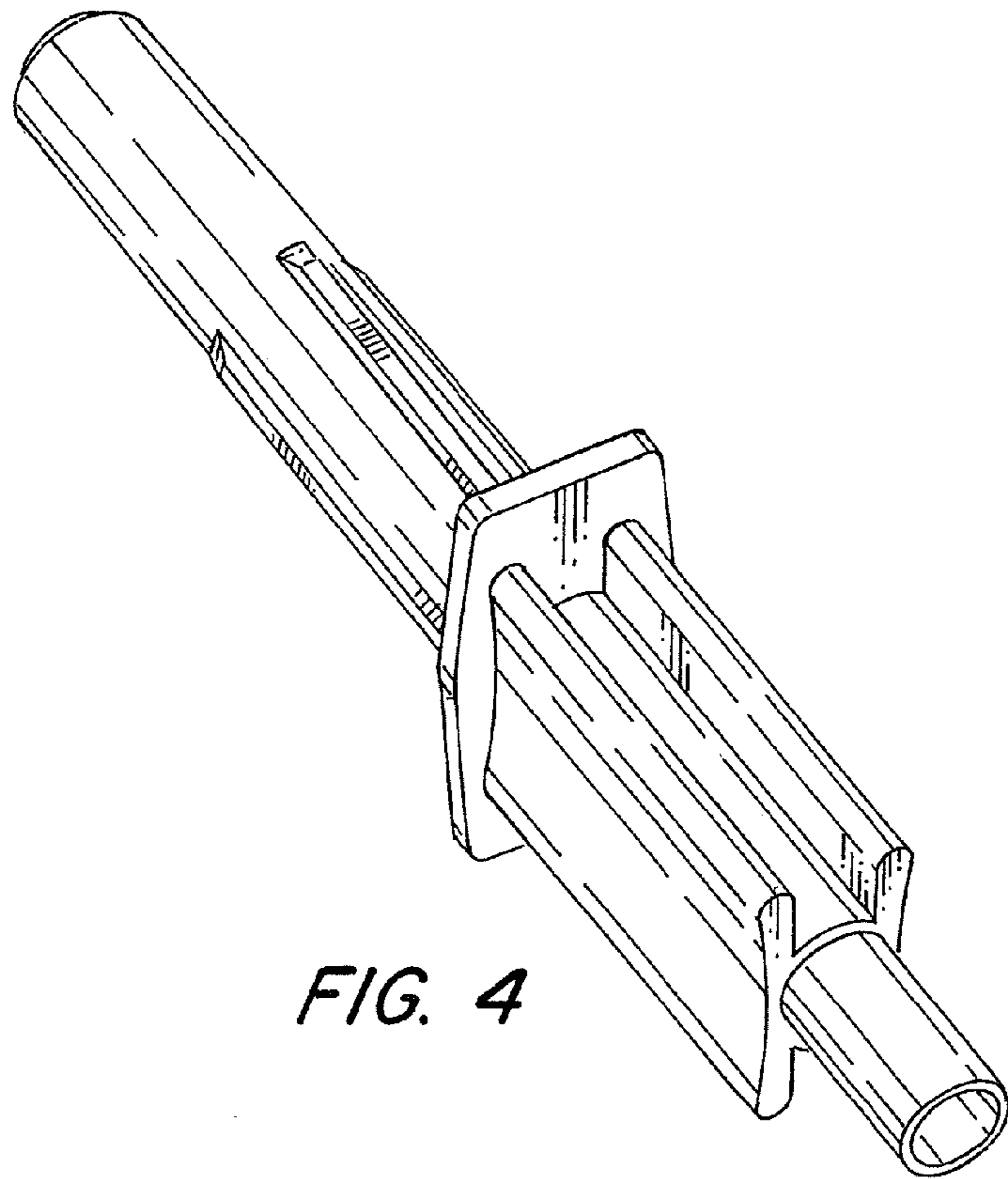
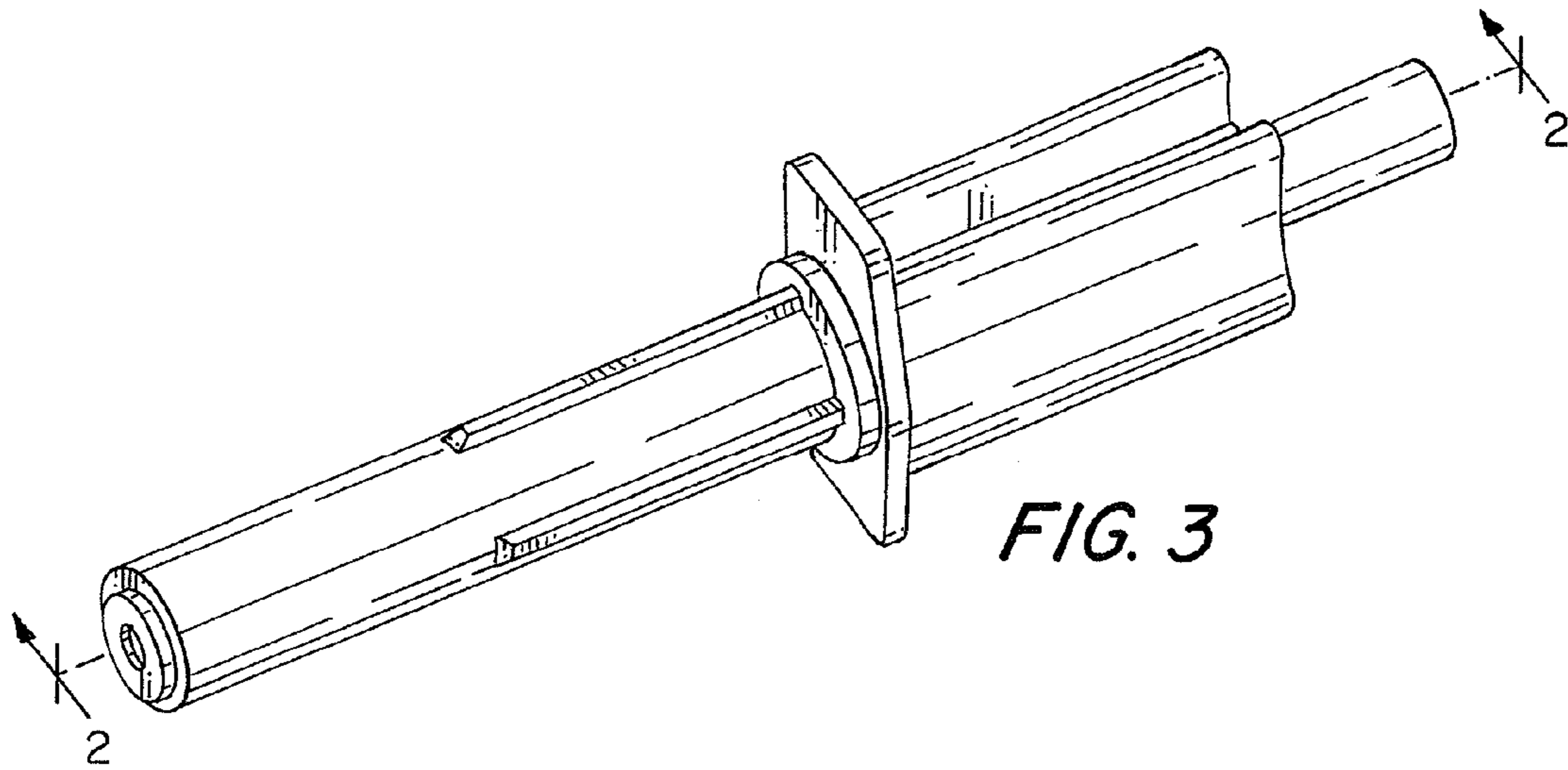


FIG. 1

FIG. 2



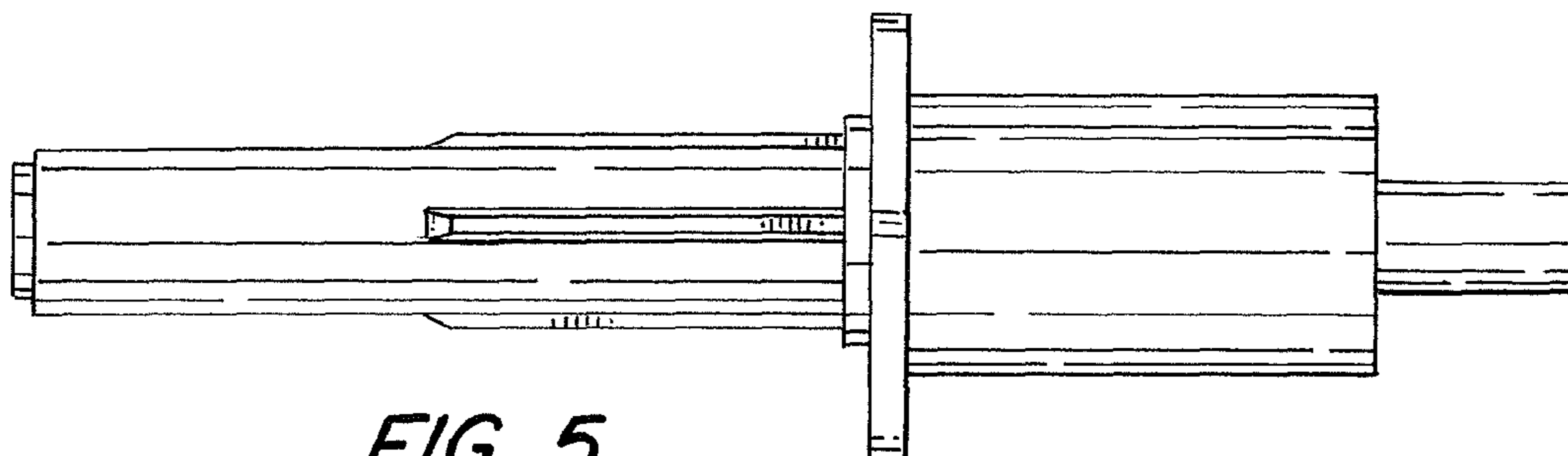


FIG. 5

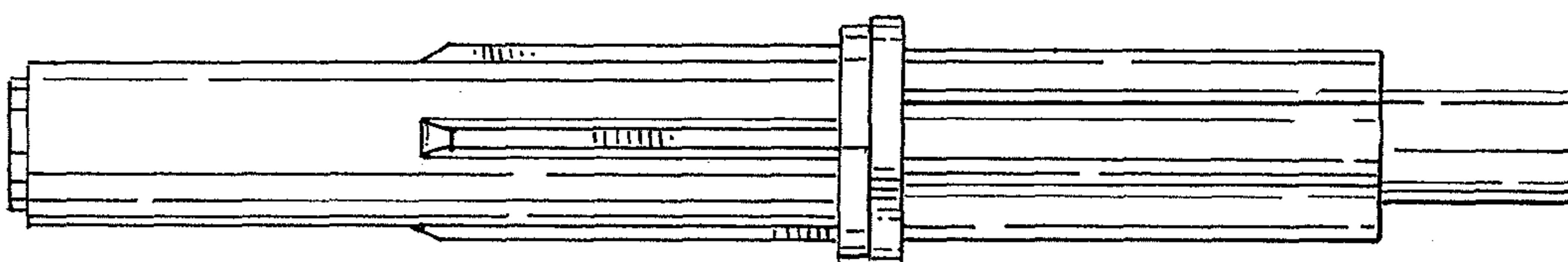


FIG. 6

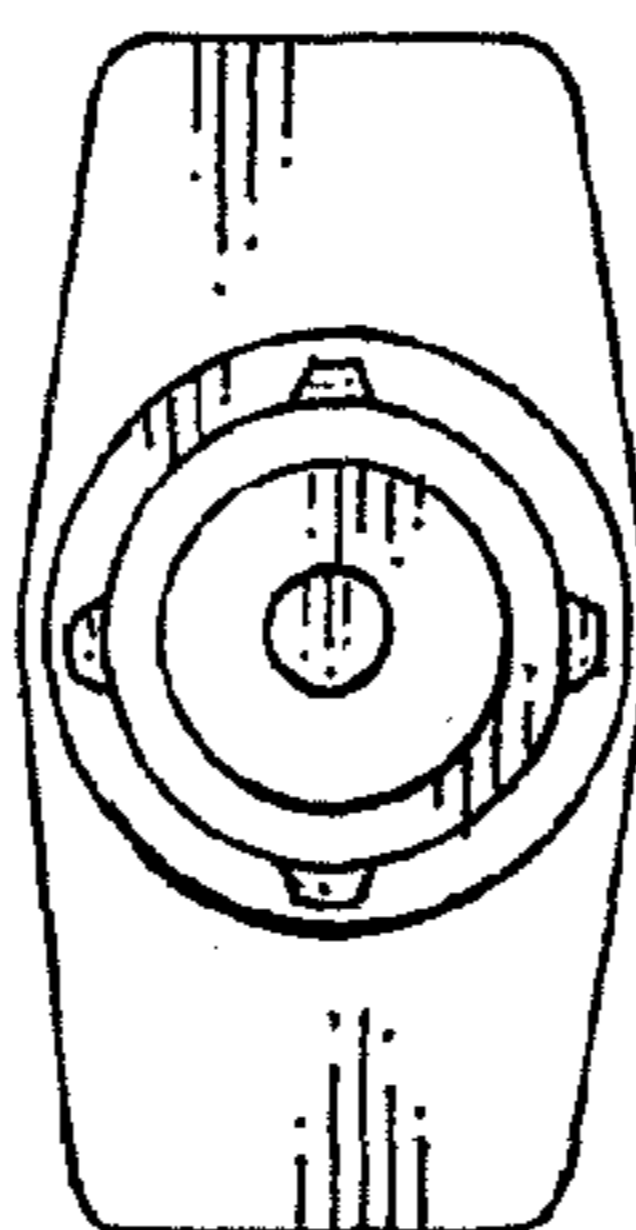


FIG. 7

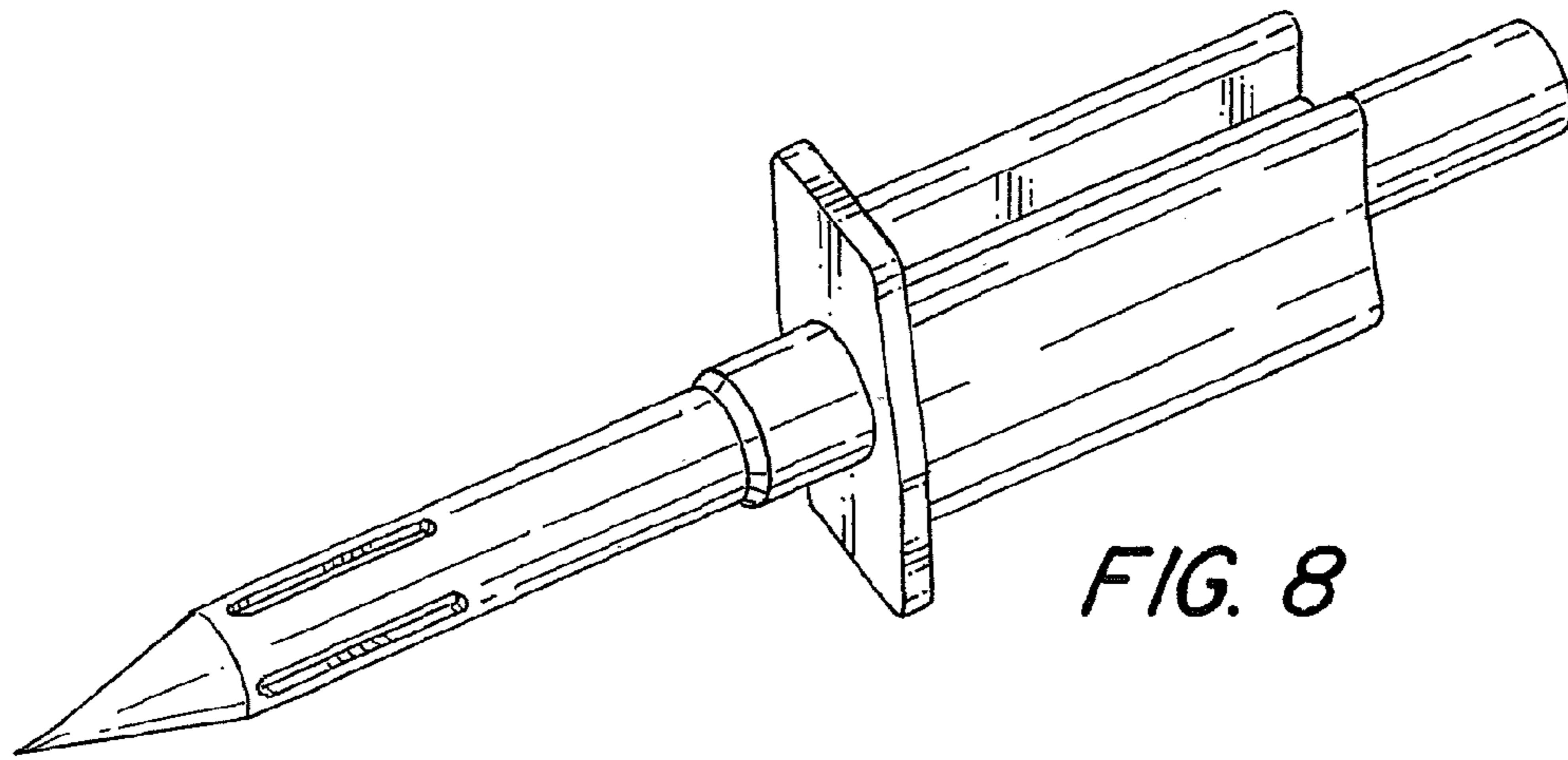


FIG. 8

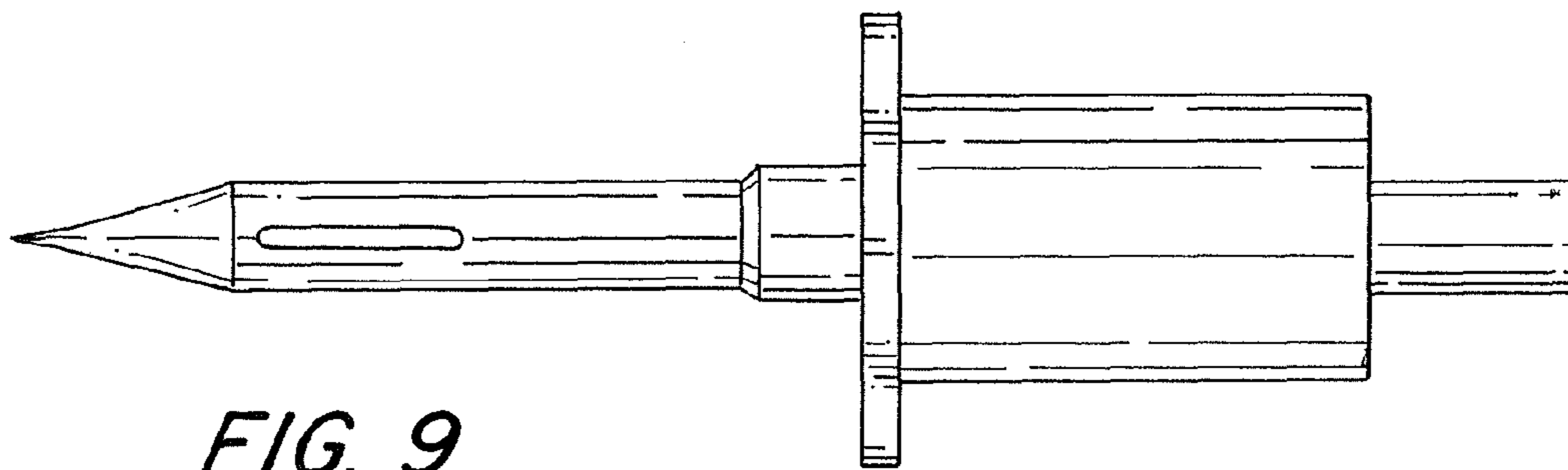


FIG. 9

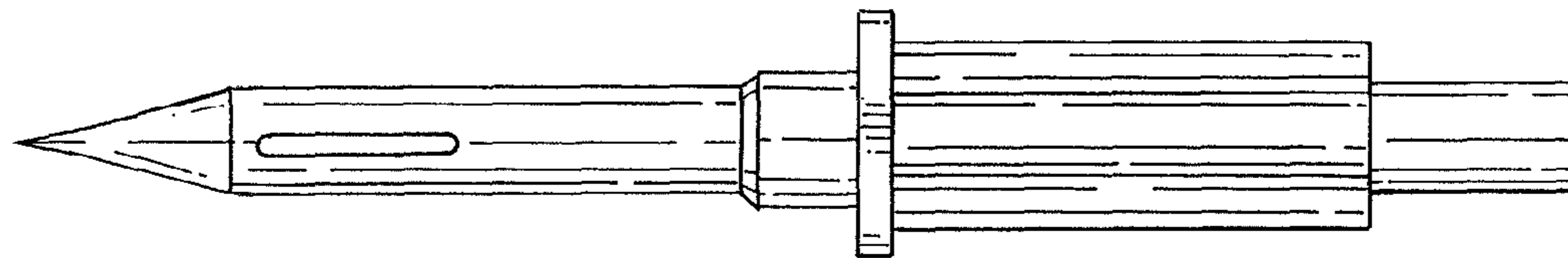


FIG. 10

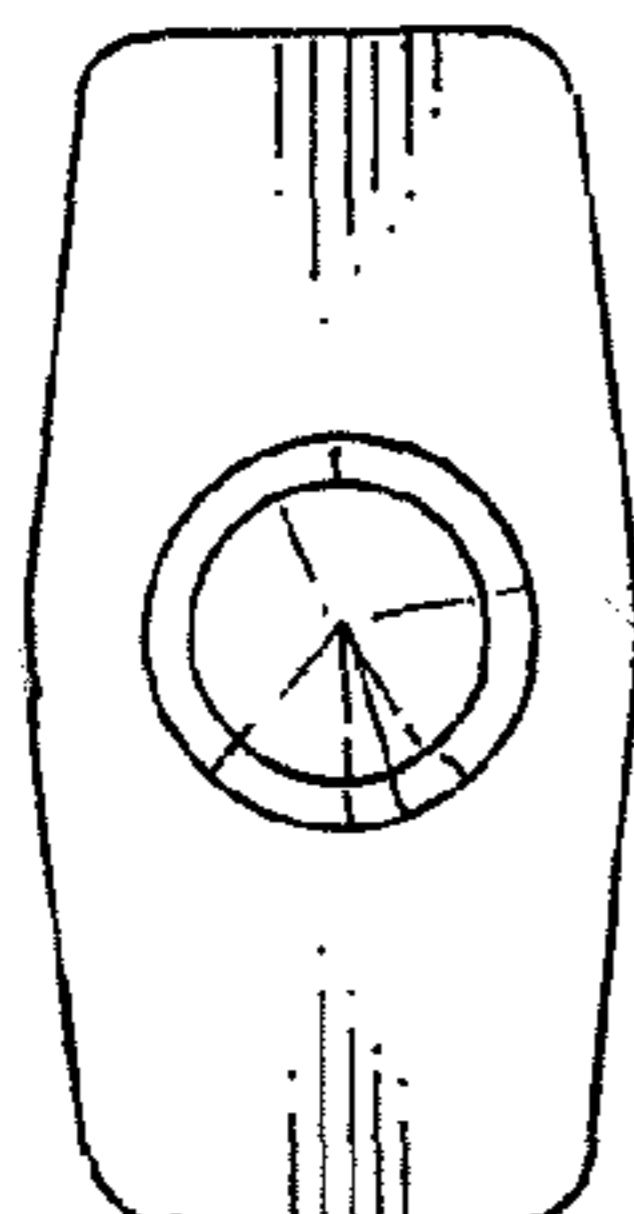


FIG. 11

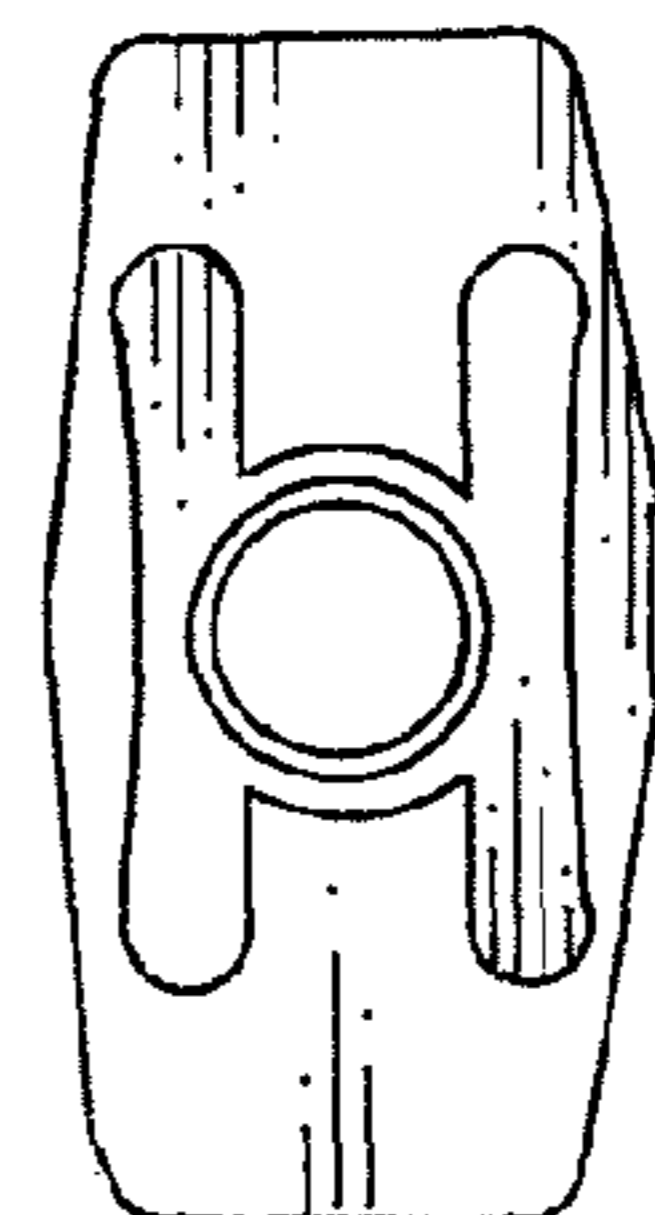


FIG. 12

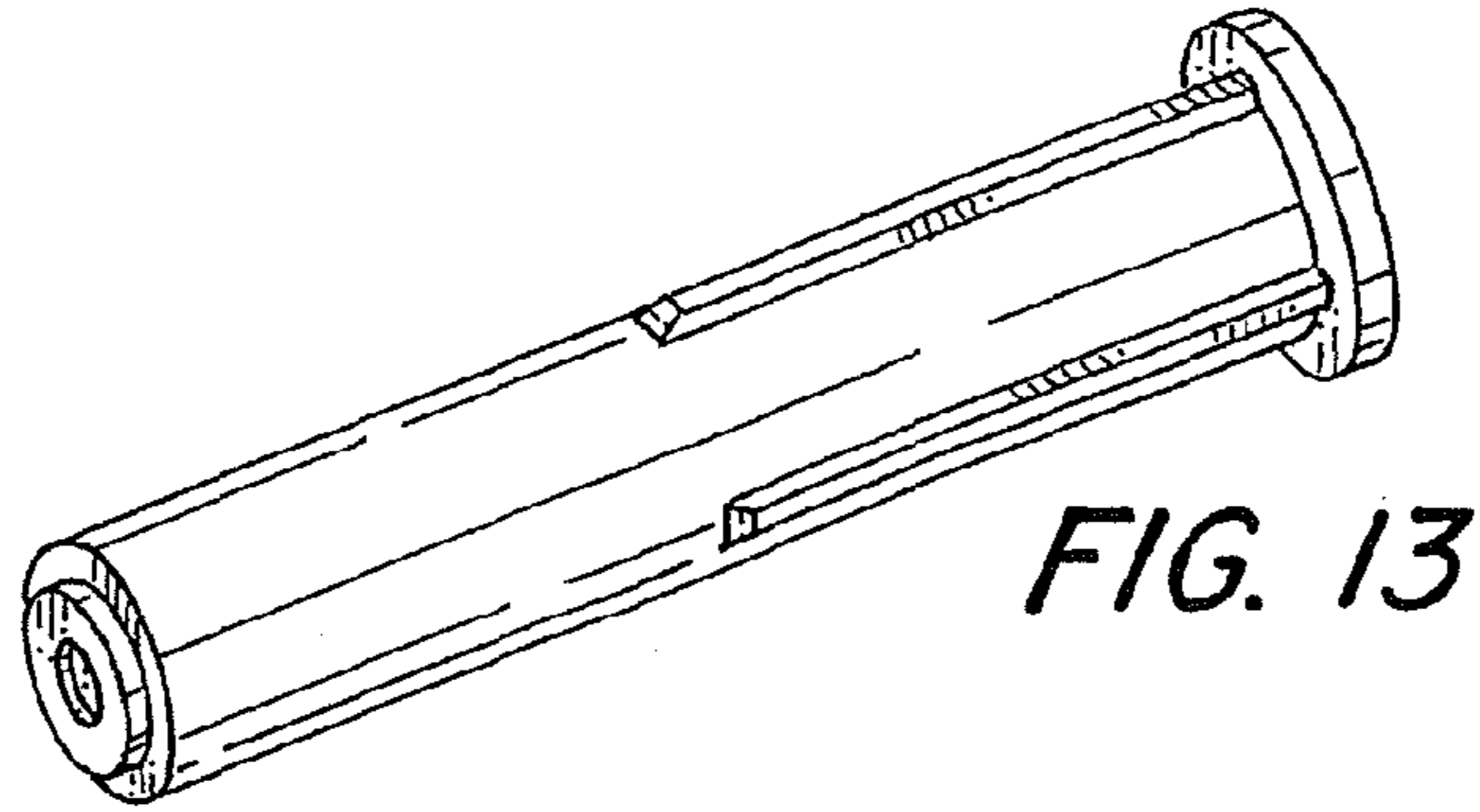


FIG. 13

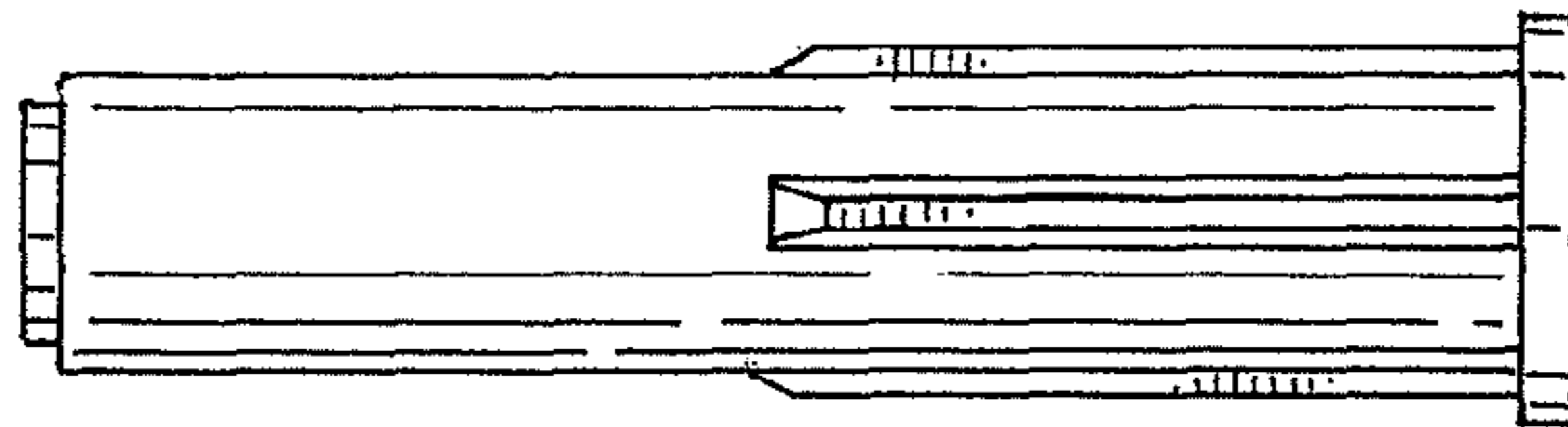


FIG. 14

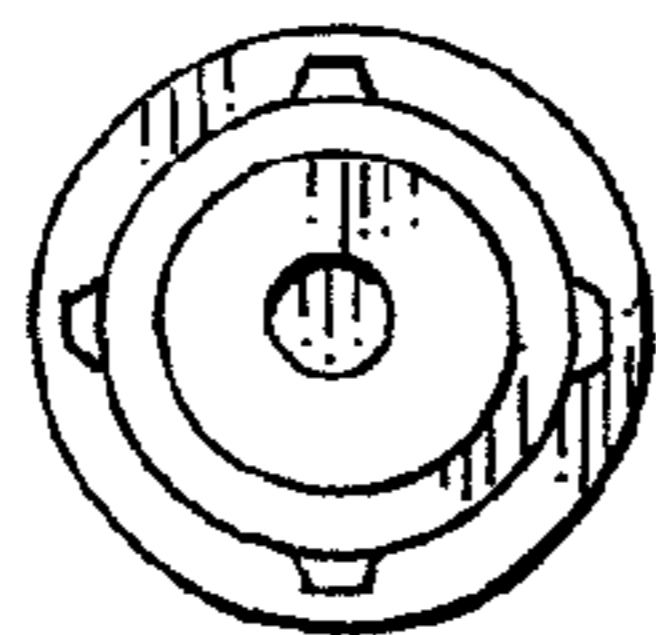


FIG. 15

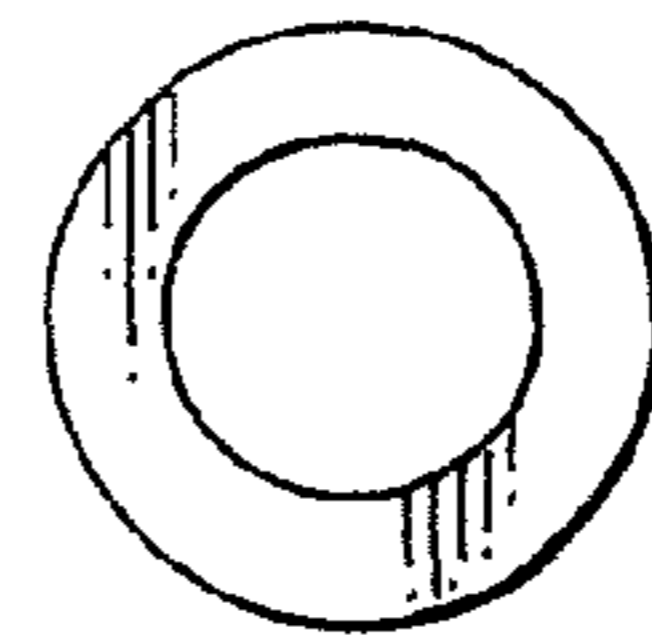


FIG. 16