



US00D674083S

(12) **United States Design Patent**  
**Boaz**

(10) **Patent No.:** **US D674,083 S**  
(45) **Date of Patent:** **\*\* Jan. 8, 2013**

(54) **CONTROL UNIT FOR A PERISTALTIC PUMP**

(75) Inventor: **Amos Boaz**, Kibutz Tzora (IL)  
(73) Assignee: **Q Core Medical Ltd.**, Petach-Tikva (IL)  
(\*\*) Term: **14 Years**  
(21) Appl. No.: **29/390,955**

(22) Filed: **May 1, 2011**  
(51) **LOC (9) Cl.** ..... **24-02**  
(52) **U.S. Cl.** ..... **D24/111**  
(58) **Field of Classification Search** ..... D24/111,  
D24/107-108, 169; D15/7, 9; 604/4.01,  
604/5.01, 6.1, 6.11, 30, 123, 152, 153, 246,  
604/250, 131, 151, 326, 890.1, 891.1; 417/265,  
417/321, 360, 405, 419

See application file for complete search history.

(56) **References Cited**

**U.S. PATENT DOCUMENTS**

D289,327	S	*	4/1987	Campbell et al.	.....	D24/111
D380,546	S	*	7/1997	Clegg et al.	.....	D24/111
5,743,878	A	*	4/1998	Ross et al.	.....	604/131
5,807,075	A	*	9/1998	Jacobsen et al.	.....	604/152
D400,249	S	*	10/1998	Holubar et al.	.....	D24/107
D439,341	S	*	3/2001	Tumey et al.	.....	D24/169
D461,891	S	*	8/2002	Moberg	.....	D24/111
D471,274	S	*	3/2003	Diaz et al.	.....	D24/111
D476,730	S	*	7/2003	O'Mahony et al.	.....	D24/108
D540,821	S	*	4/2007	Gilroy	.....	D15/7
D574,953	S	*	8/2008	Boaz	.....	D24/111
D586,463	S	*	2/2009	Evans et al.	.....	D24/111
D588,262	S	*	3/2009	Pukall et al.	.....	D24/111
D612,484	S	*	3/2010	Yodfat et al.	.....	D24/111

**OTHER PUBLICATIONS**

Pump MiniPuls Evolution Control Module. Gilson Scientific Ltd, 2012, [retrieved on Jun. 7, 2012]. Retrieved from the Internet: <URL: <http://www.gilsonuk.com/catalogue/product/itemNo/F110701>>.\*

\* cited by examiner

*Primary Examiner* — Wan Laymon

(74) *Attorney, Agent, or Firm* — Eitan Mehulal & Sadot

(57) **CLAIM**

The ornamental design for a control unit for a peristaltic pump, as shown and described.

**DESCRIPTION**

FIG. 1 is a perspective view of an embodiment of the control unit for a peristaltic pump showing my new ornamental design;

FIG. 2 is a front view of an embodiment of the control unit for a peristaltic pump showing my new ornamental design;

FIG. 3 is a rear view of an embodiment of the control unit for a peristaltic pump showing my new ornamental design;

FIG. 4 is a left side view of an embodiment of the control unit for a peristaltic pump showing my new ornamental design;

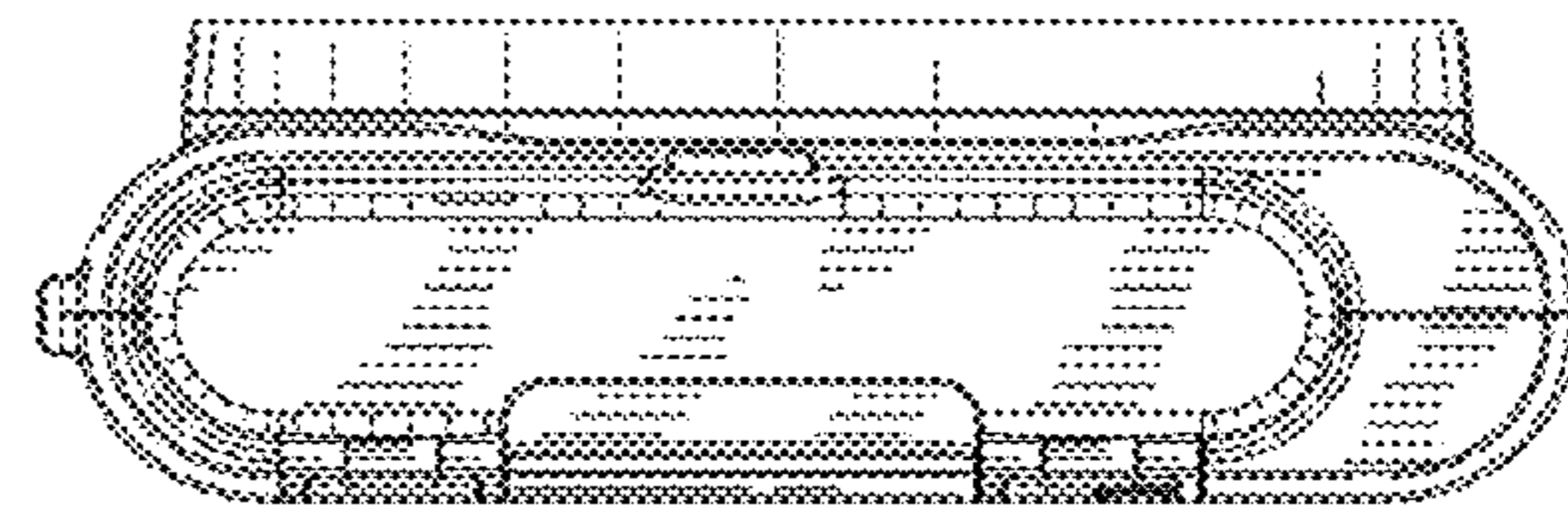
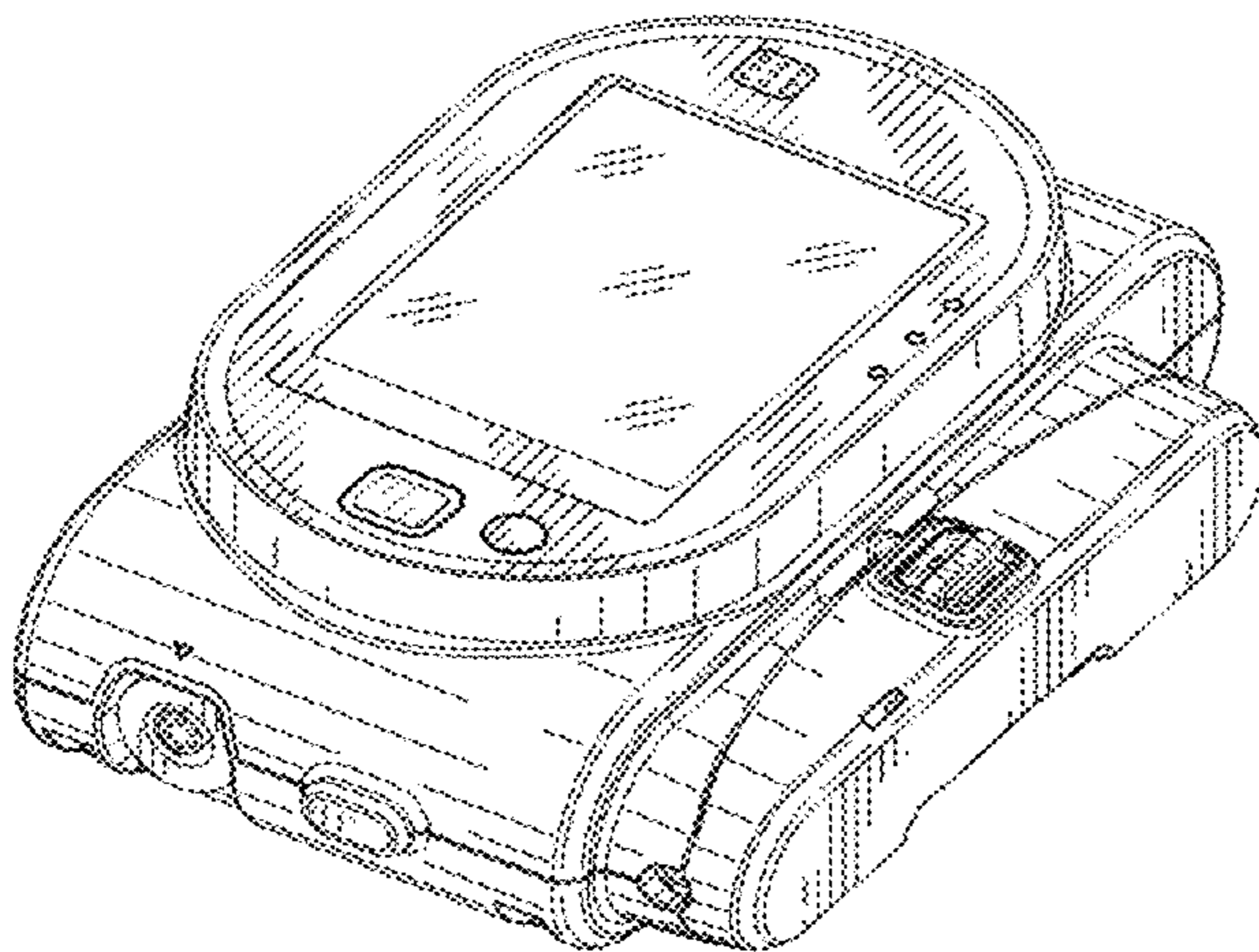
FIG. 5 is a right side view of an embodiment of the control unit for a peristaltic pump showing my new ornamental design;

FIG. 6 is a top view of an embodiment of the control unit for a peristaltic pump showing my new ornamental design; and,

FIG. 7 is a bottom view of an embodiment of the control unit for a peristaltic pump showing my new ornamental design.

Portions of the claimed design shown in broken lines form no part of the claimed design.

**1 Claim, 4 Drawing Sheets**



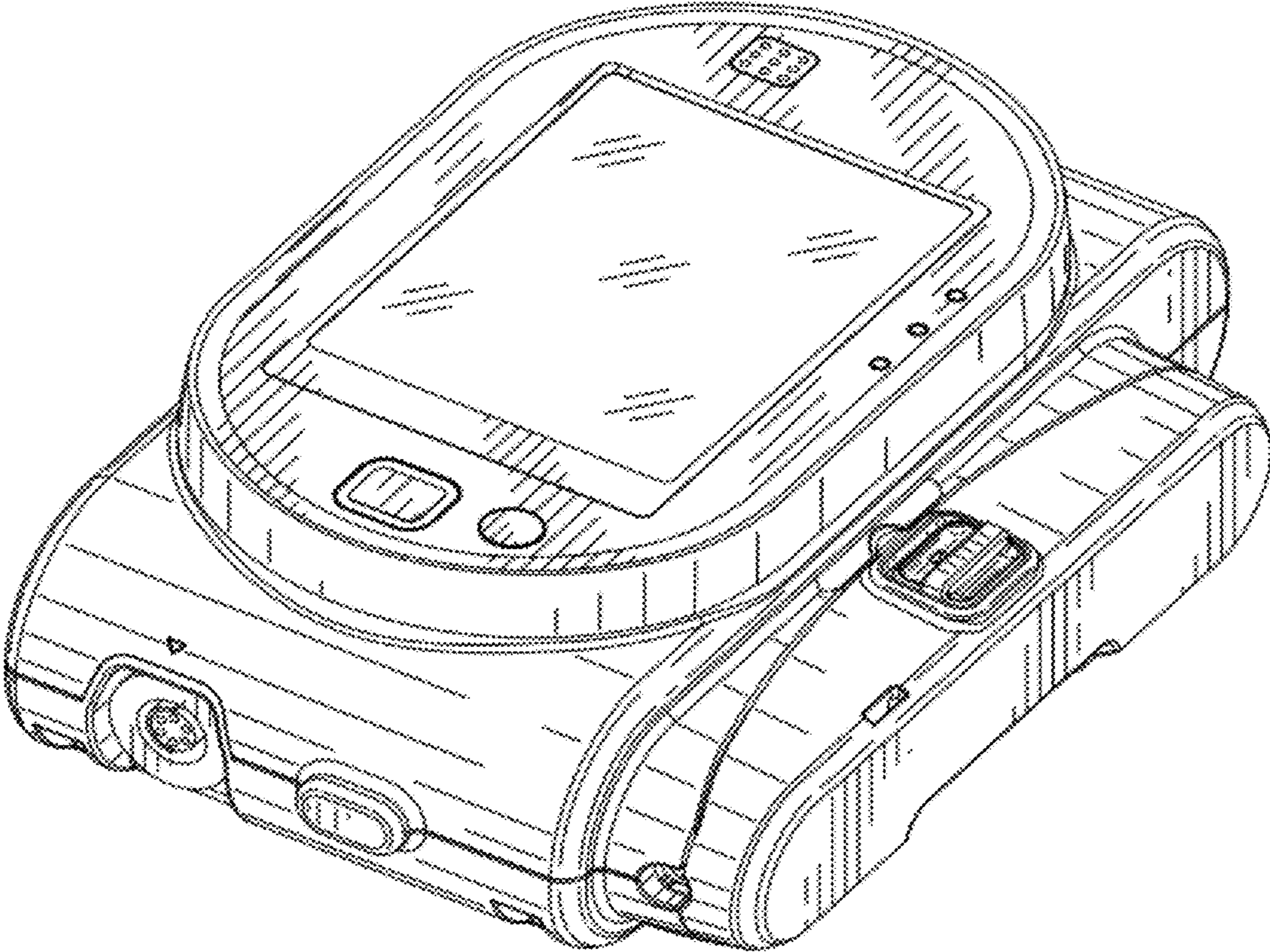


Figure 1

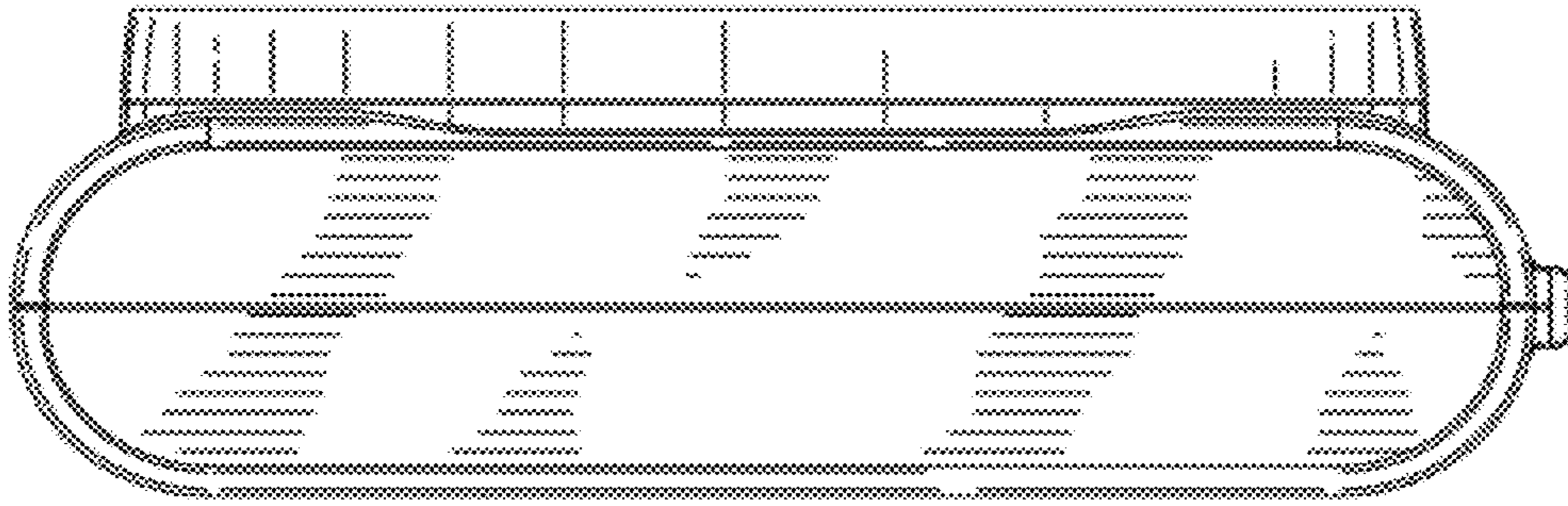


Figure 2

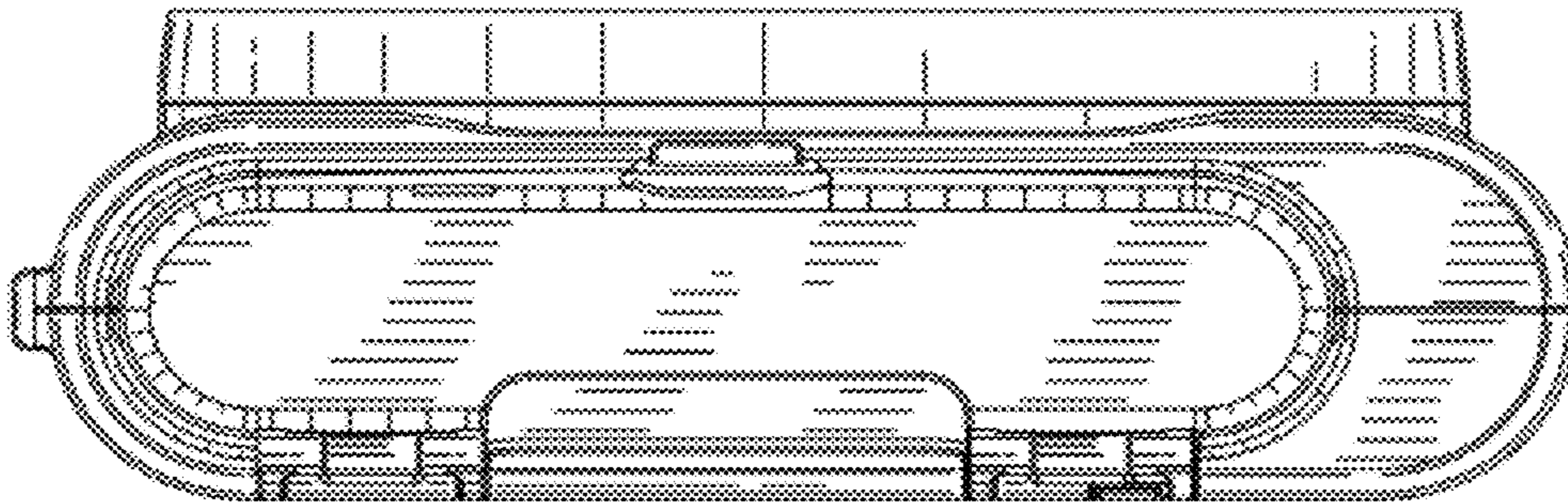


Figure 3

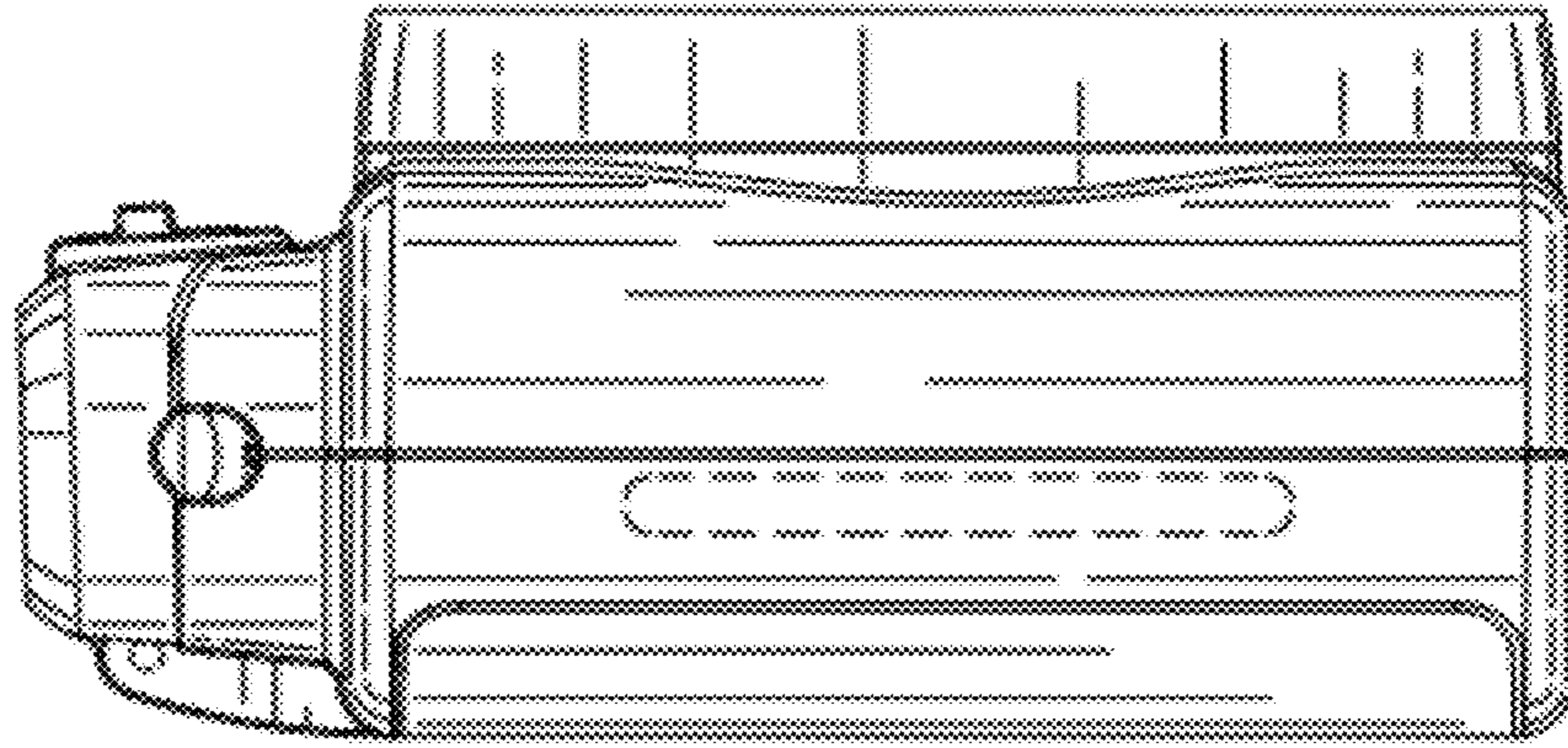


Figure 4

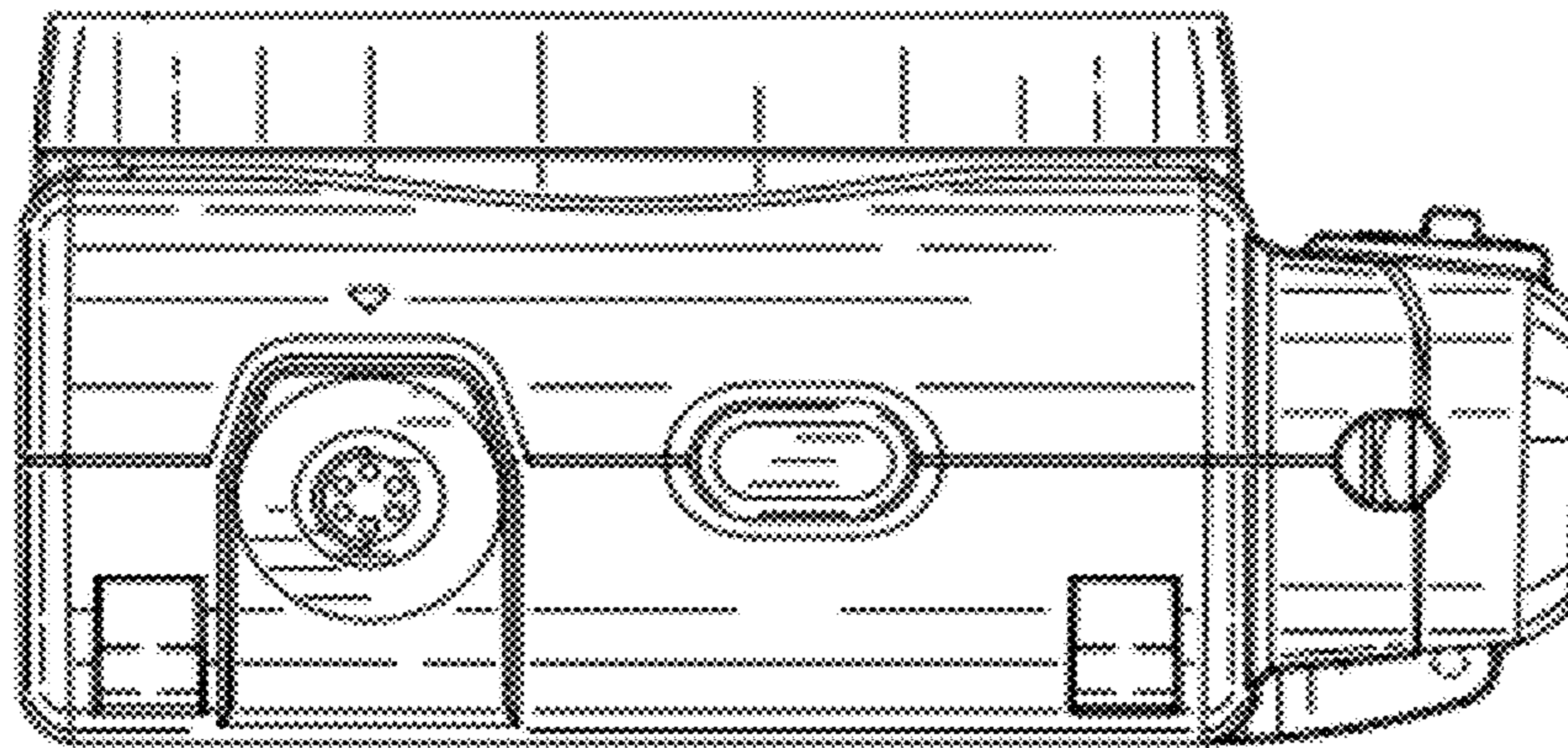


Figure 5

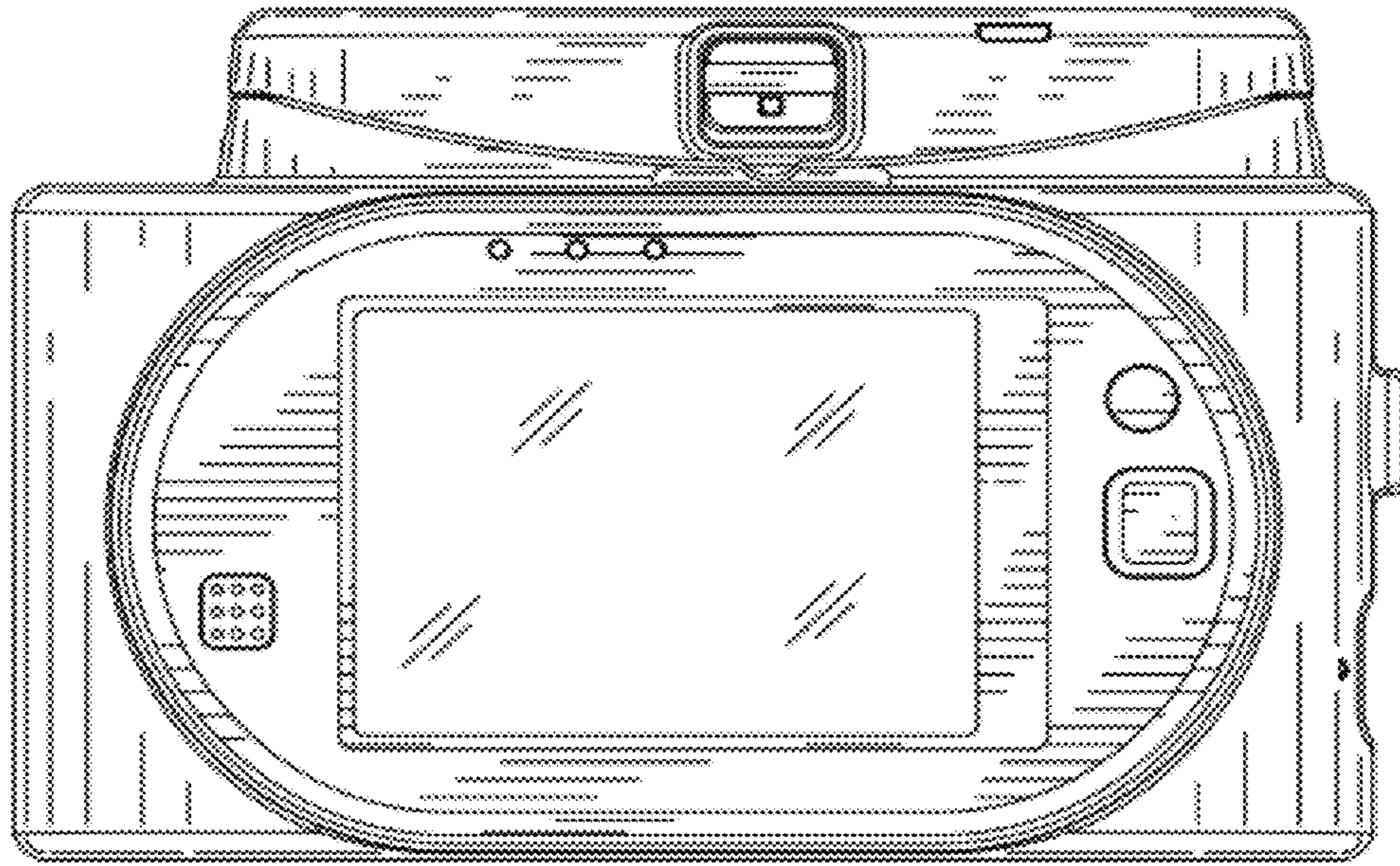


Figure 6

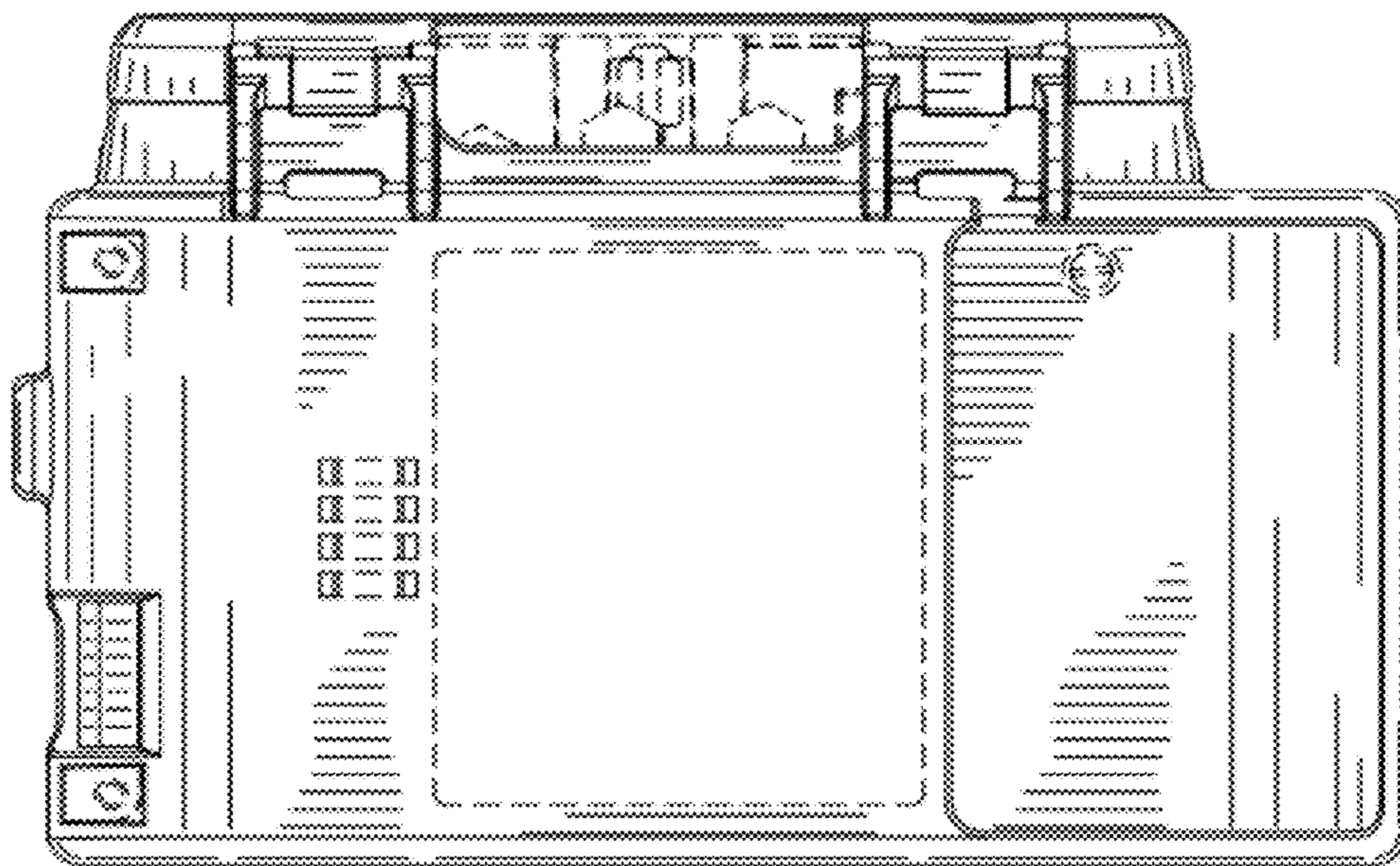


Figure 7