



US00D674080S

(12) **United States Design Patent**
Shiraichi et al.

(10) **Patent No.:** **US D674,080 S**
(45) **Date of Patent:** **** Jan. 8, 2013**

(54) **CROSS-FLOW FAN**

(75) Inventors: **Yukishige Shiraichi**, Osaka (JP);
Masaki Ohtsuka, Osaka (JP); **Masaya**
Takahashi, Osaka (JP)

(73) Assignee: **Sharp Kabushiki Kaisha**, Osaka (JP)

(**) Term: **14 Years**

(21) Appl. No.: **29/381,119**

(22) Filed: **Dec. 15, 2010**

(30) **Foreign Application Priority Data**

Jun. 15, 2010 (JP) 2010-014602

(51) **LOC (9) Cl.** **23-04**

(52) **U.S. Cl.** **D23/413**

(58) **Field of Classification Search** D6/309;
D13/179; D23/370-386, 411-414; 165/80.3,
165/120-122, 900; 310/12.13, 26, 52, 58,
310/60 A, 60 R, 61-65, 112, 125, 156.35-156.37,
310/157, 211, 261.1, 266, 268; 361/679.48,
361/694-697; 392/365, 373, 382, 383; 415/60,
415/66, 68, 175-178, 206, 208.1, 211.2,
415/213.1, 214.1, 215.1; 416/179, 185, 186 R,
416/187, 244 R, 246, 247 R; 417/321, 410.1
See application file for complete search history.

(56) **References Cited**

U.S. PATENT DOCUMENTS

1,143,365 A * 6/1915 Davidson 416/187
1,700,017 A * 1/1929 Bender 416/187
2,915,239 A * 12/1959 Borkat 416/184
3,635,588 A * 1/1972 Lester et al. 416/187
D227,012 S * 5/1973 Ranz et al. D23/414
4,235,568 A * 11/1980 Zenkner 416/187

4,324,529 A * 4/1982 Nickels 416/187
6,530,746 B2 * 3/2003 Huang et al. 415/213.1
D533,935 S * 12/2006 Chen D23/411
D561,323 S * 2/2008 Shirahama et al. D23/370
D645,007 S * 9/2011 Alexander D13/179
2008/0075598 A1 * 3/2008 Chen et al. 416/179
2012/0049687 A1 * 3/2012 Osborne et al. 310/211

OTHER PUBLICATIONS

U.S. Appl. No. 29/381,110, filed Dec. 15, 2010 (Pending).
U.S. Appl. No. 29/381,113, filed Dec. 15, 2010 (Pending).
U.S. Appl. No. 29/381,124, filed Dec. 15, 2010 (Pending).

* cited by examiner

Primary Examiner — Garth Rademaker

(74) *Attorney, Agent, or Firm* — Nixon & Vanderhye, P.C.

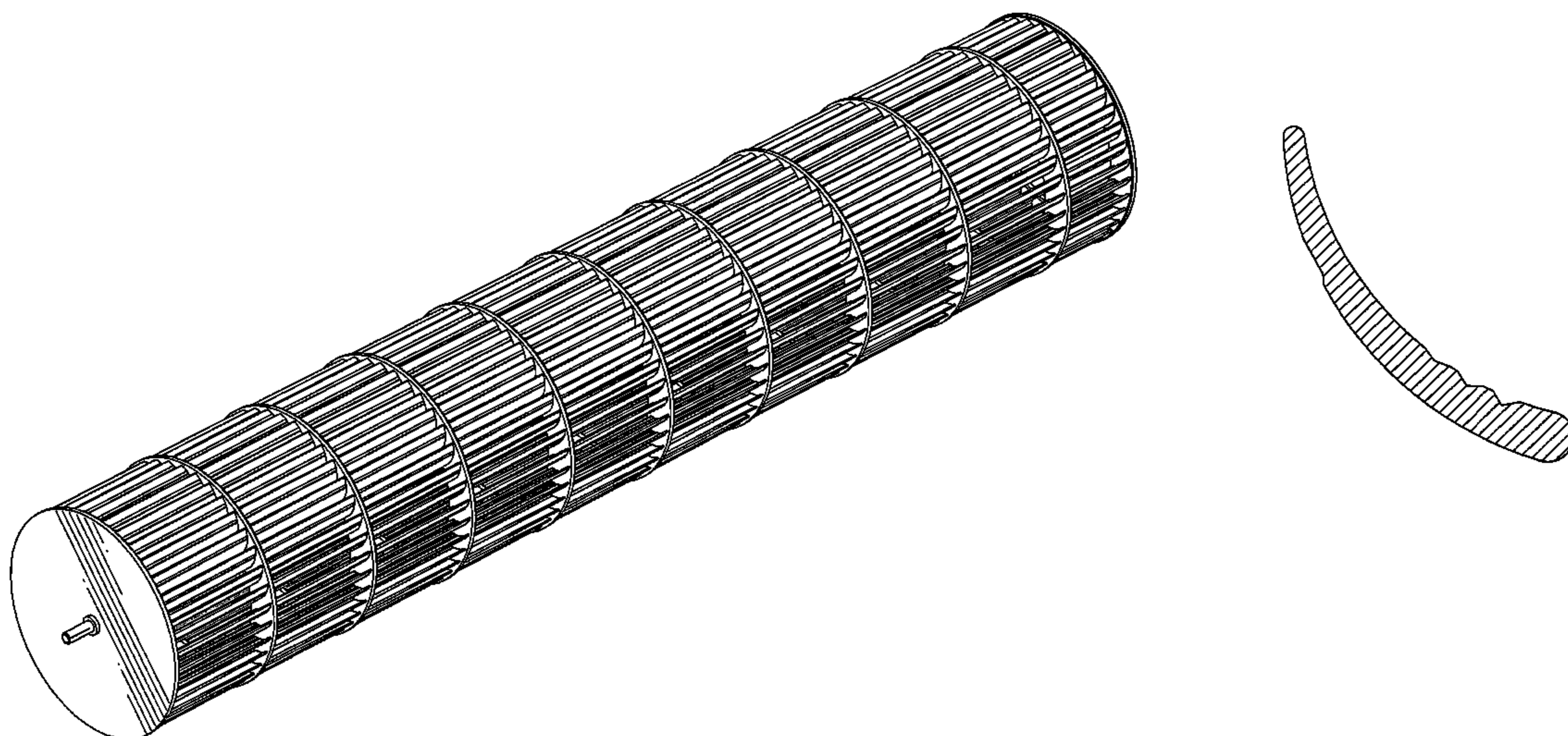
(57) **CLAIM**

The ornamental design for a cross-flow fan, as shown and described.

DESCRIPTION

FIG. 1 is a bottom, left, rear perspective view of the cross-flow fan in accordance with our new design; FIG. 2 is a front elevation view thereof; FIG. 3 is a rear elevation view thereof; FIG. 4 is a top plan view thereof; FIG. 5 is a bottom plan view thereof; FIG. 6 is a right side elevation view thereof; FIG. 7 is a left side elevation view thereof; FIG. 8 is a cross-section view taken along line 8-8 of FIG. 2, shown at an enlarged scale; FIG. 9 is a cross-section view of a single fan blade thereof, shown at a further enlarged scale; and, FIG. 10 is a top, right, rear perspective view thereof. The broken lines depict environmental subject matter only and form no part of the claimed design.

1 Claim, 7 Drawing Sheets



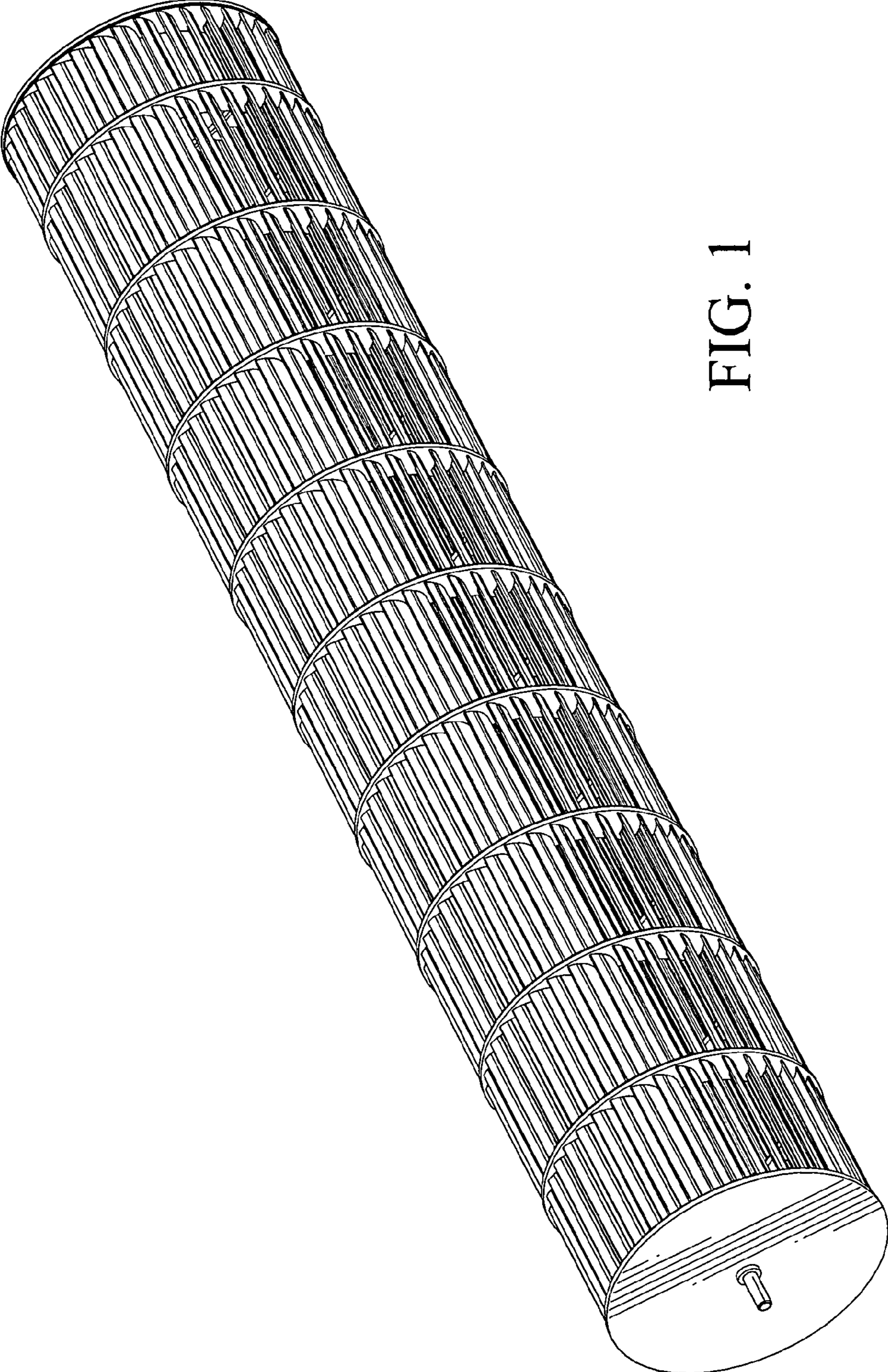


FIG. 1

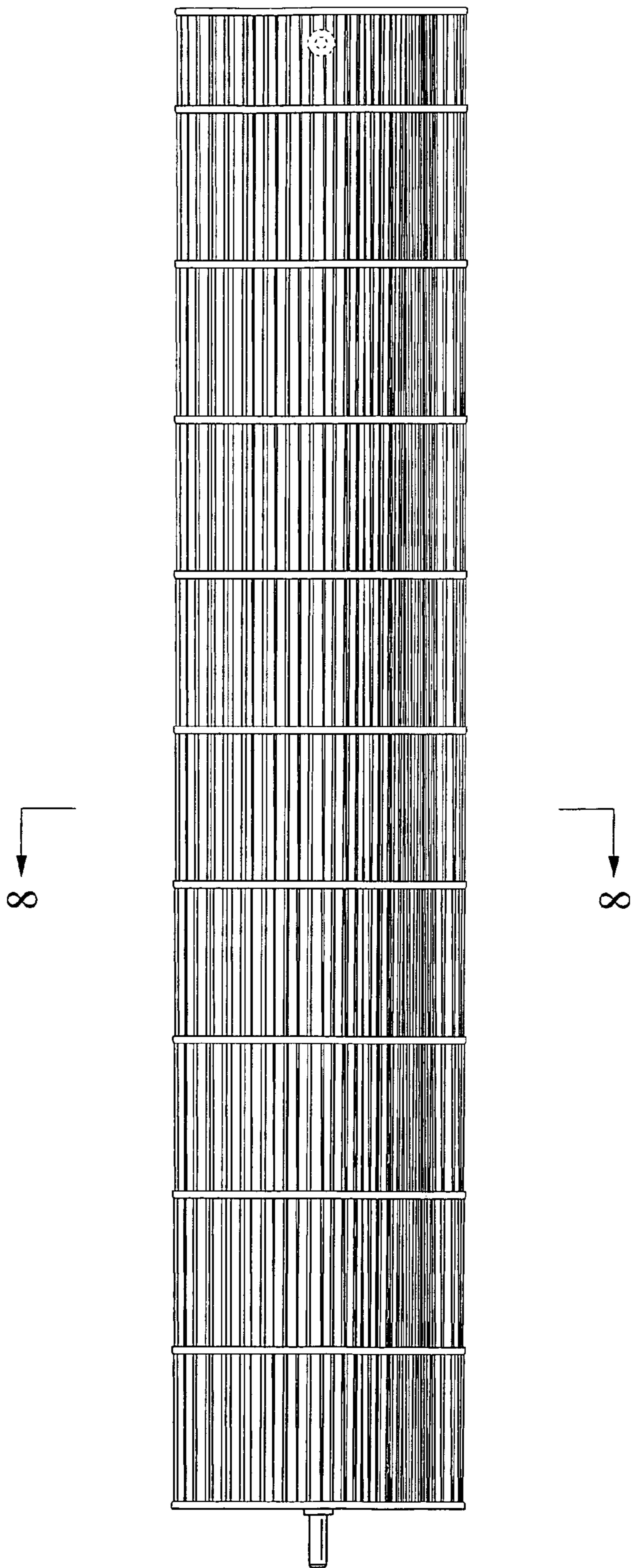


FIG. 2

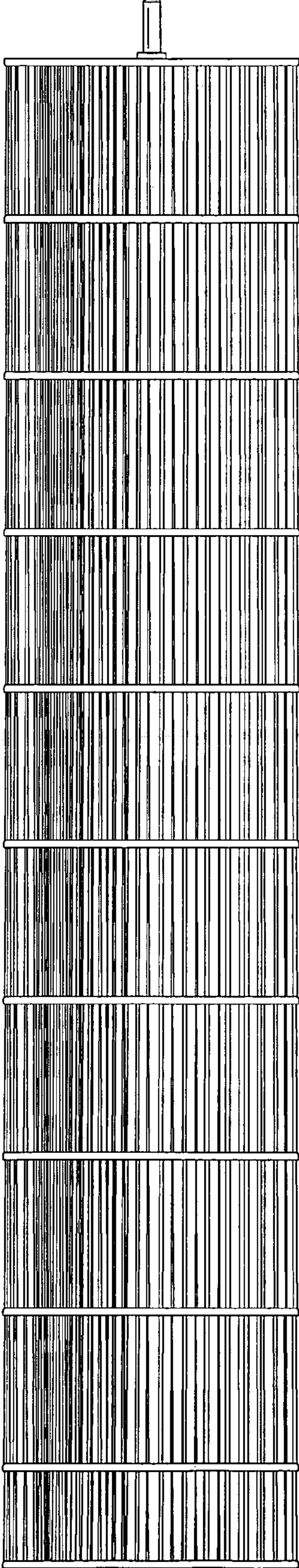


FIG. 3

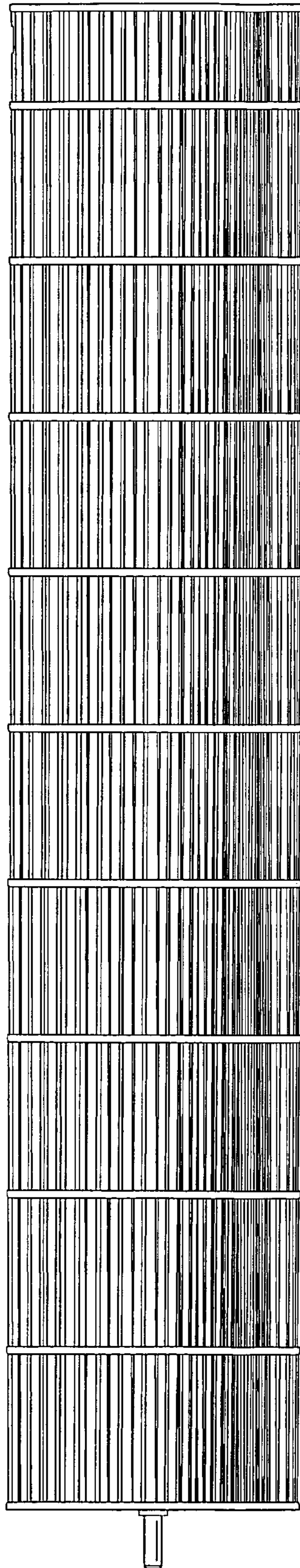


FIG. 4

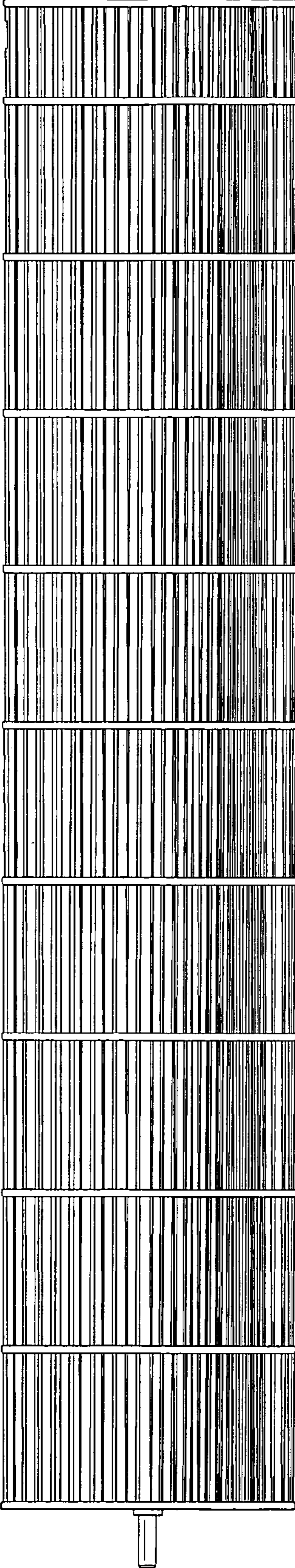


FIG. 5

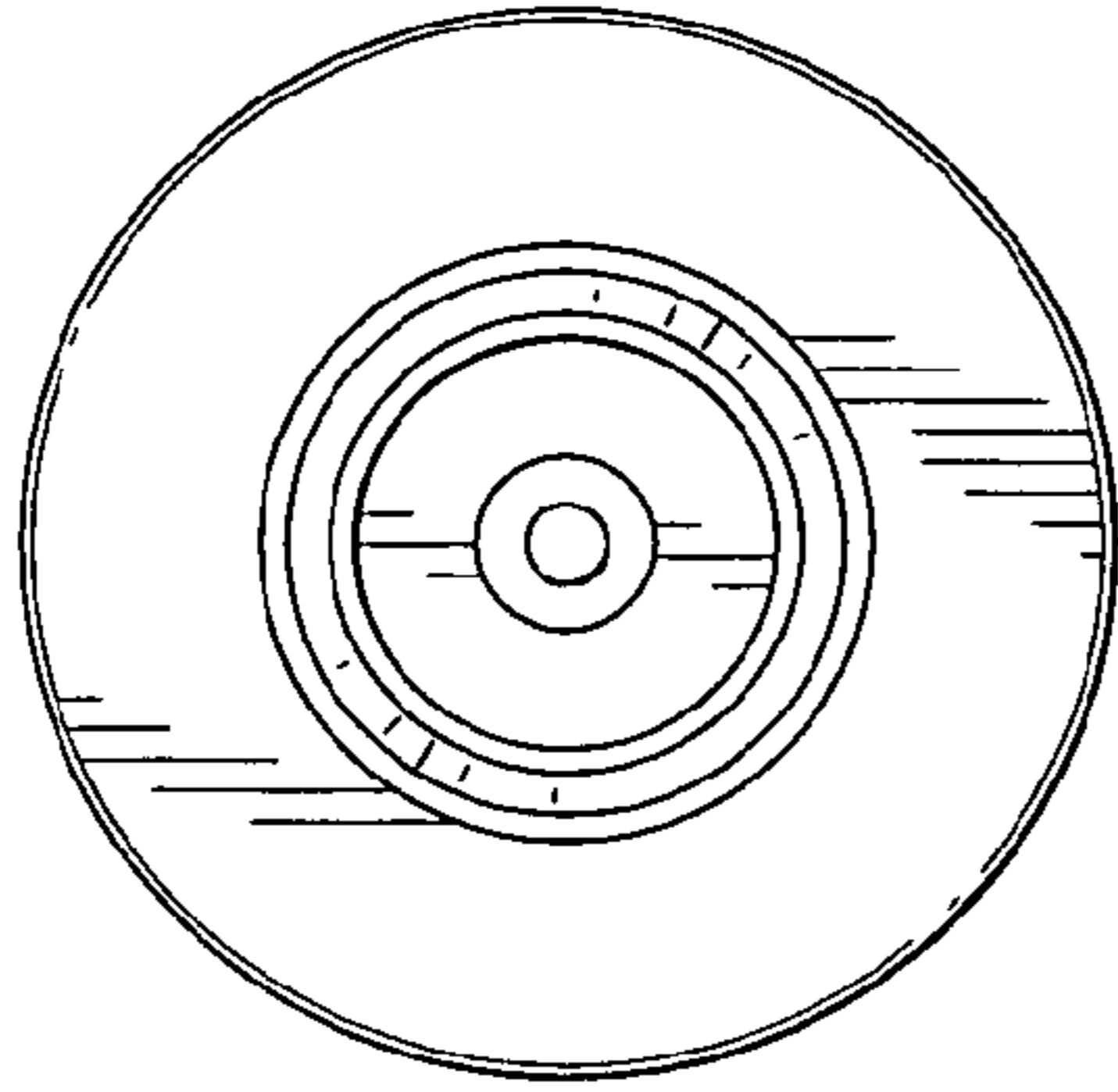


FIG. 6

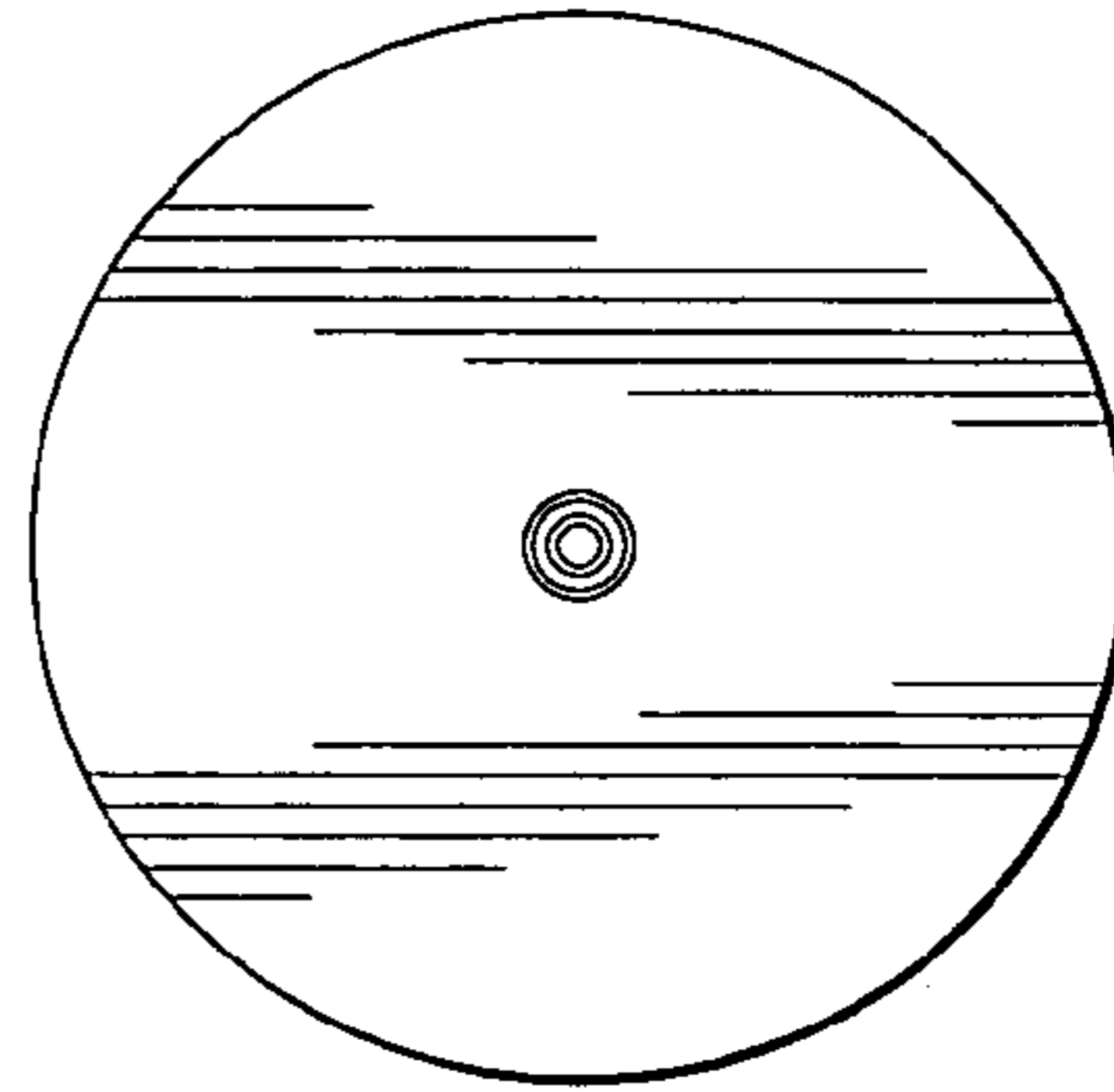


FIG. 7

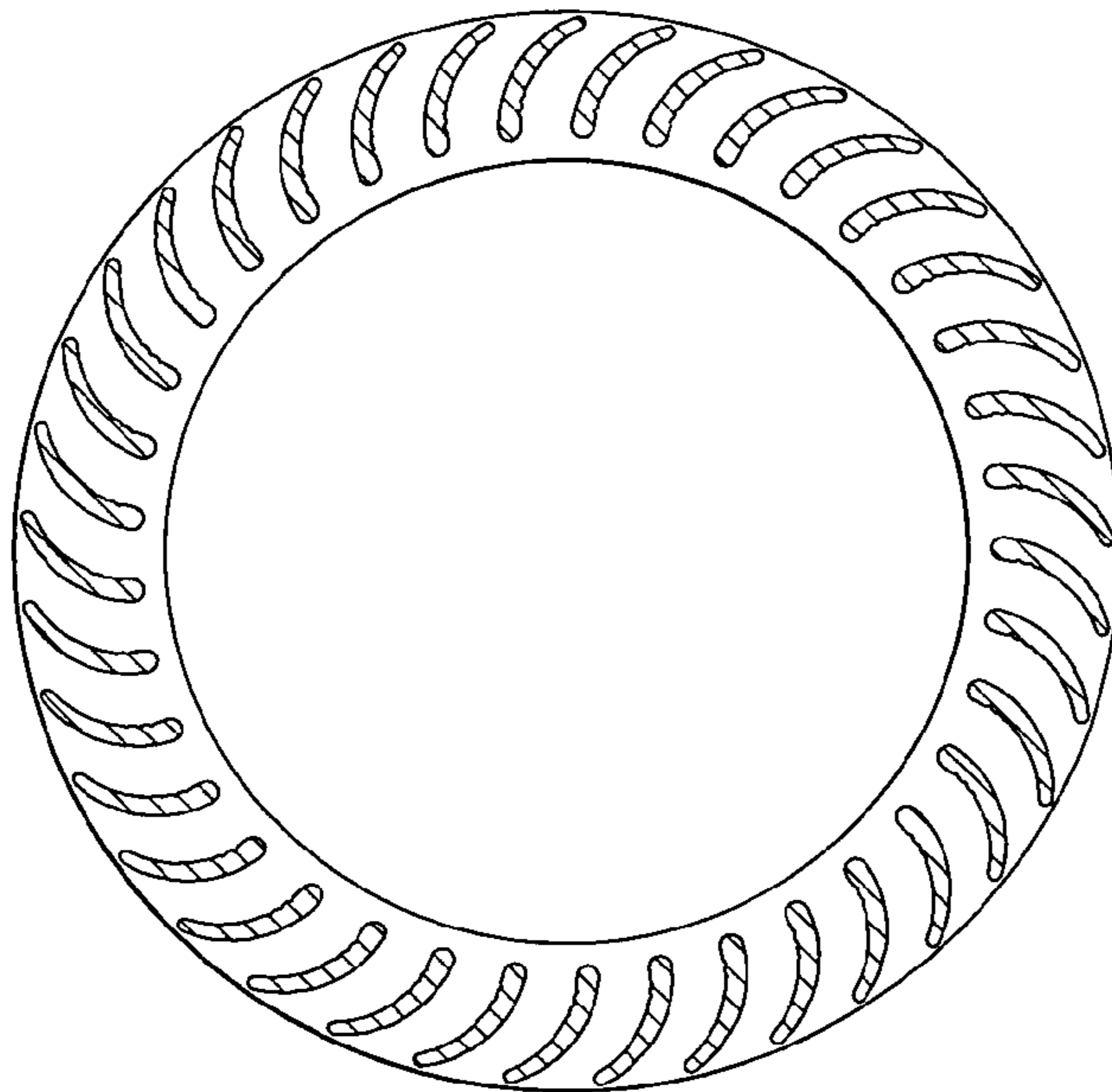


FIG. 8

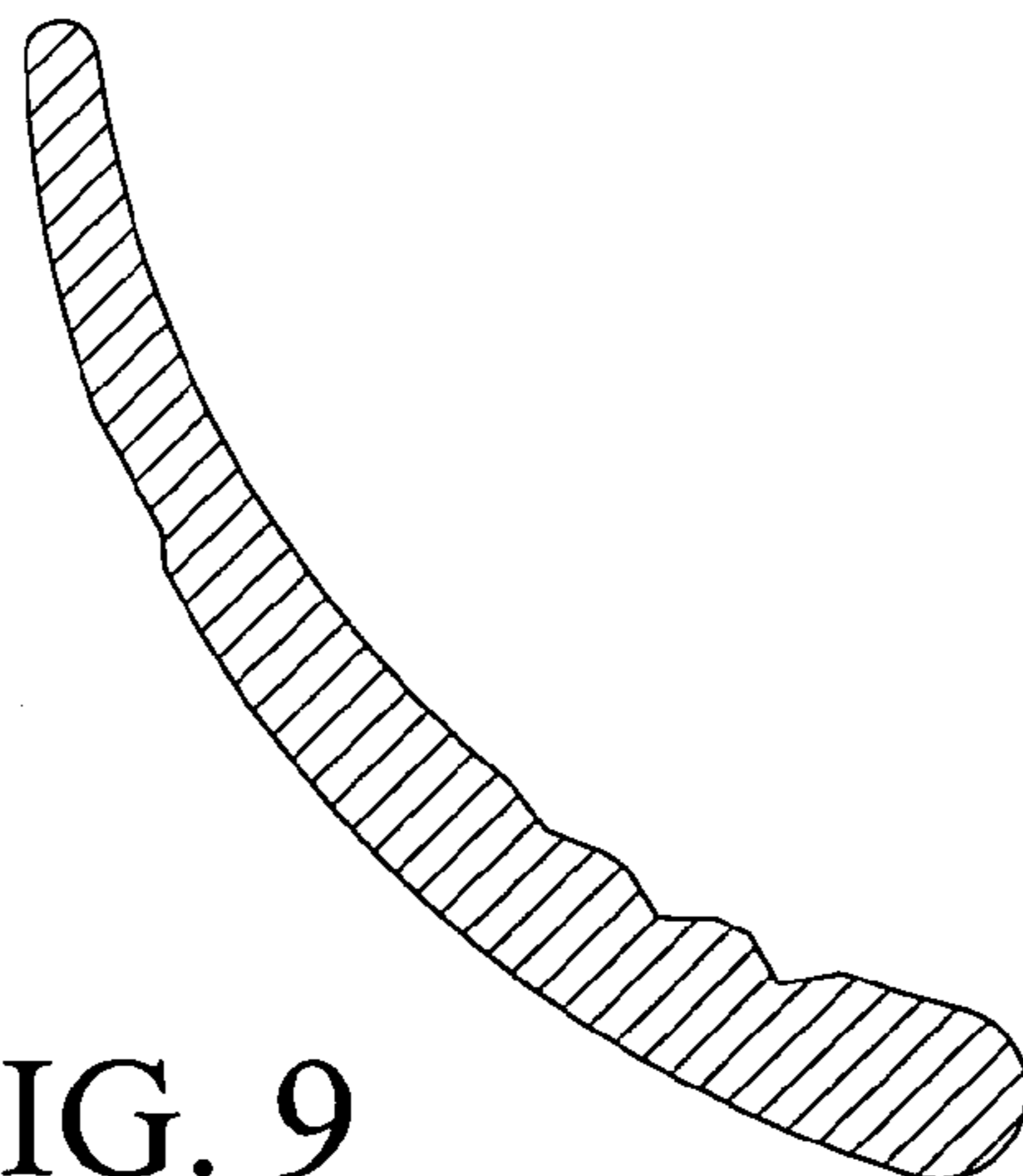


FIG. 9

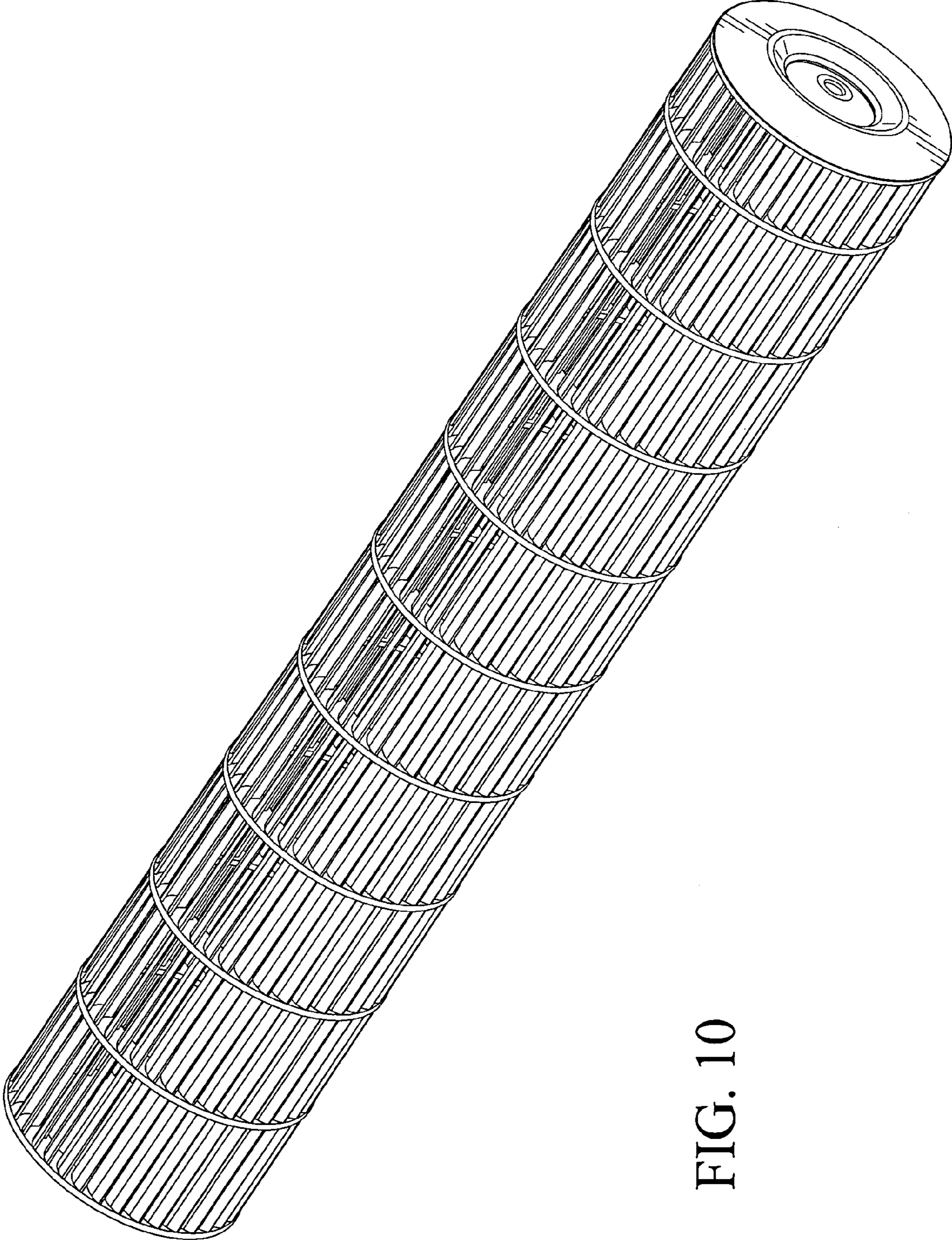


FIG. 10