



US00D674077S

(12) **United States Design Patent**  
**Miyake**

(10) **Patent No.:** **US D674,077 S**  
(45) **Date of Patent:** **\*\* Jan. 8, 2013**

- (54) **VENTILATING FAN HOOD**
- (75) Inventor: **Hiroshi Miyake**, Osaka (JP)
- (73) Assignee: **Panasonic Corporation**, Osaka (JP)
- (\*\*) Term: **14 Years**
- (21) Appl. No.: **29/406,397**
- (22) Filed: **Nov. 14, 2011**
- (51) **LOC (9) Cl.** ..... **23-04**
- (52) **U.S. Cl.** ..... **D23/372**
- (58) **Field of Classification Search** ..... D23/355,  
D23/370, 371, 372, 386-394, 411-414; 34/169;  
52/302.1, 302.7; 55/DIG. 36; 126/299 D-299 F,  
126/299 R, 300, 301, 312; 454/250-253,  
454/275, 367, 368  
See application file for complete search history.

6,913,014 B2 \* 7/2005 Chiang ..... 126/299 R  
 D594,964 S 6/2009 Miyake et al.  
 2010/0051010 A1 \* 3/2010 Colburn et al. .... 126/299 D

**FOREIGN PATENT DOCUMENTS**

JP D1103355 3/2001

\* cited by examiner

*Primary Examiner* — Janice Seeger

*Assistant Examiner* — Martie K Holtje

(74) *Attorney, Agent, or Firm* — Brinks Hofer Gilson & Lione

(57) **CLAIM**

I claim the ornamental design for a ventilating fan hood, as shown and described.

**DESCRIPTION**

FIG. 1 is a front bottom perspective view of a ventilating fan hood of the present invention;  
 FIG. 2 is a front view thereof;  
 FIG. 3 is a rear view thereof;  
 FIG. 4 is a first side view thereof, the second side view being a mirror image thereof;  
 FIG. 5 is a top view thereof; and  
 FIG. 6 is a bottom view thereof.  
 The broken line showing of the structural element in FIGS. 3 through 6 is included for the purpose of illustrating a portion of the ventilation fan hood that forms no part of the claimed design.

(56) **References Cited**

**U.S. PATENT DOCUMENTS**

- 1,347,586 A \* 7/1920 Mitchell ..... 126/39 R
- 1,802,617 A \* 4/1931 Mullin et al. .... 126/299 D
- 1,885,016 A \* 10/1932 Ryan ..... 126/299 D
- 2,341,245 A \* 2/1944 Sonntag ..... 126/299 D
- 2,564,075 A \* 8/1951 Wray ..... 126/299 D
- 2,582,884 A \* 1/1952 Nicol ..... 126/301
- 2,971,451 A \* 2/1961 Feig ..... 126/299 D
- 6,283,117 B1 \* 9/2001 Chiang ..... 126/299 R
- D495,041 S 8/2004 Thomas

**1 Claim, 6 Drawing Sheets**

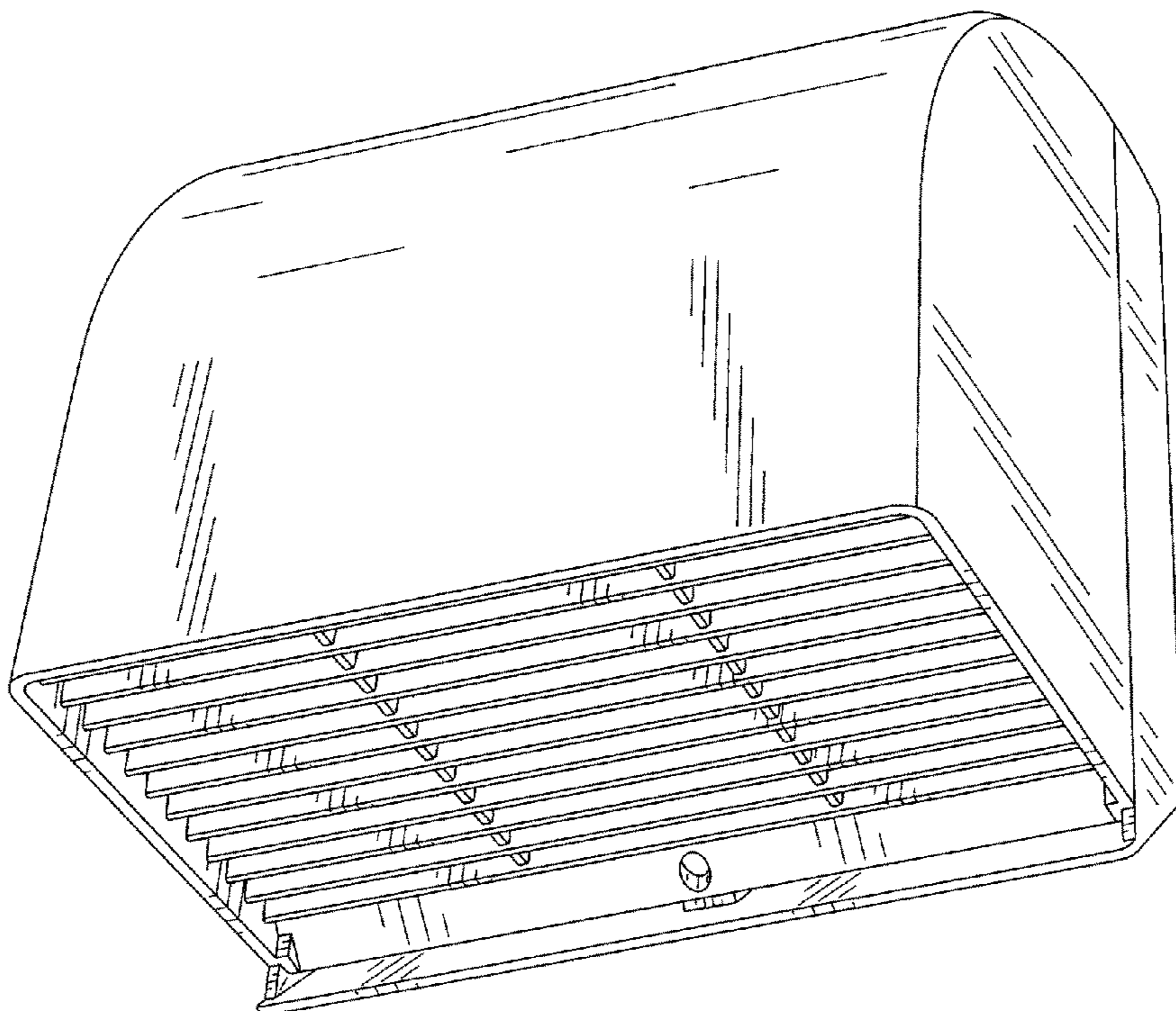


FIG.1

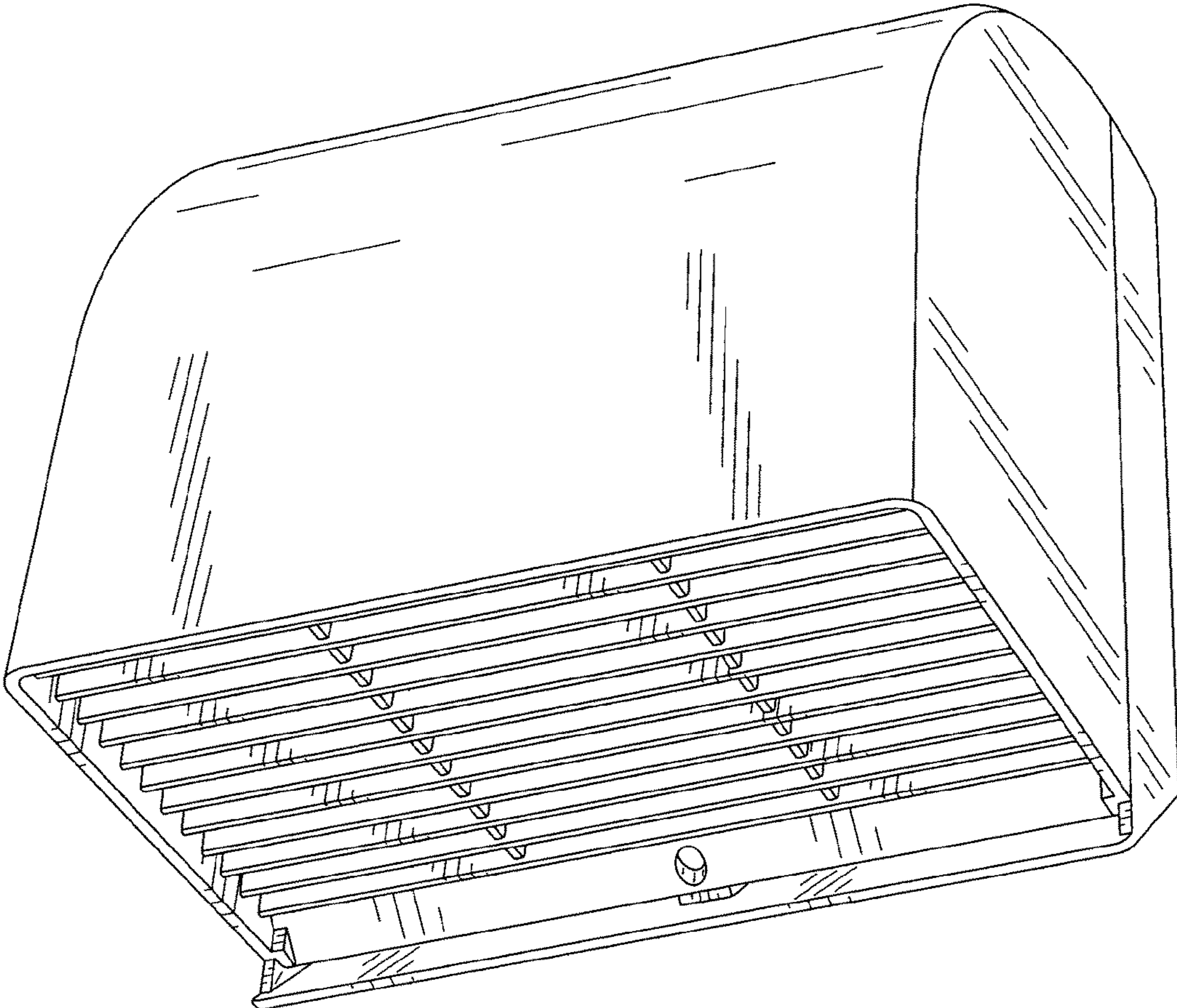


FIG.2

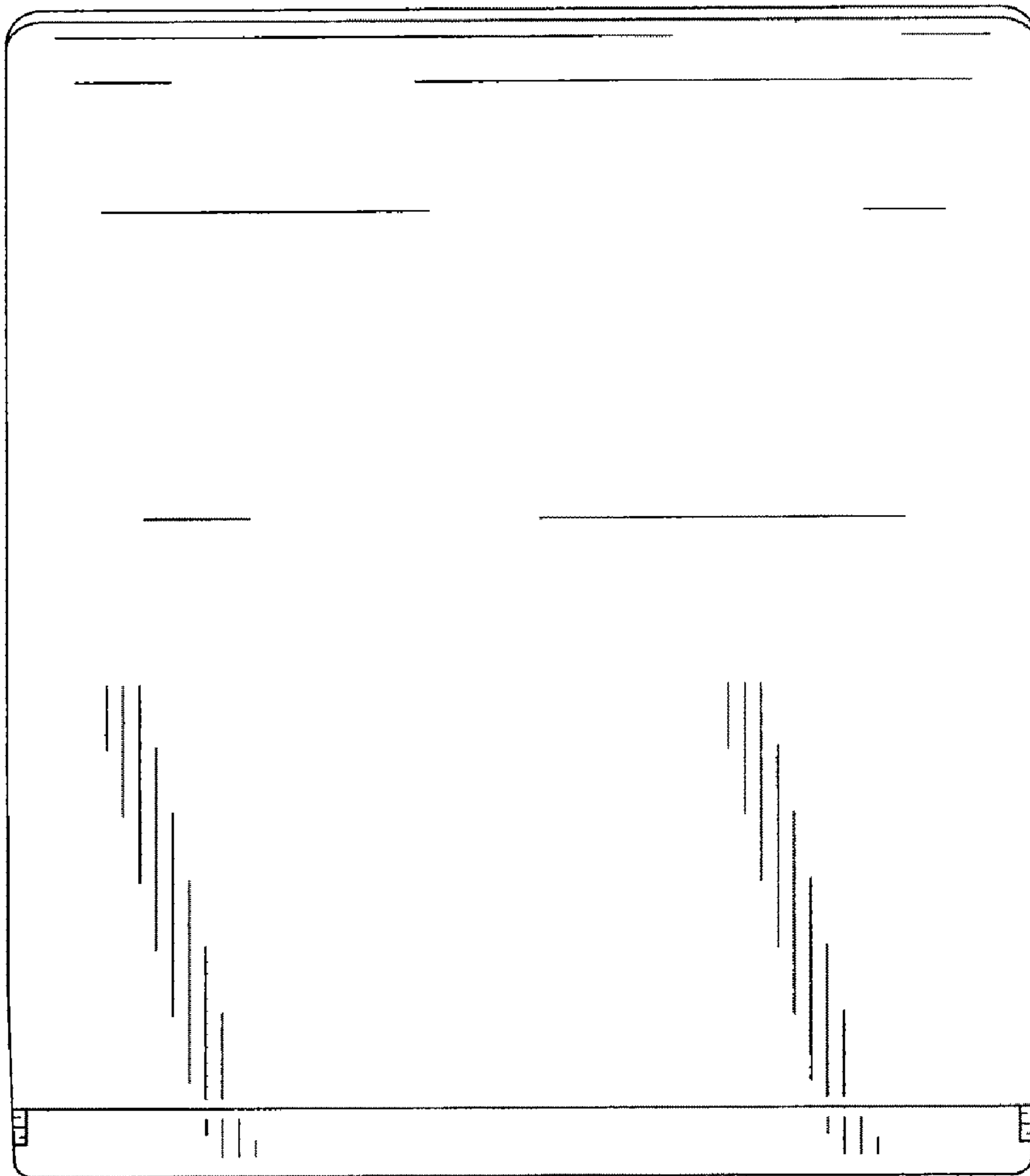


FIG.3

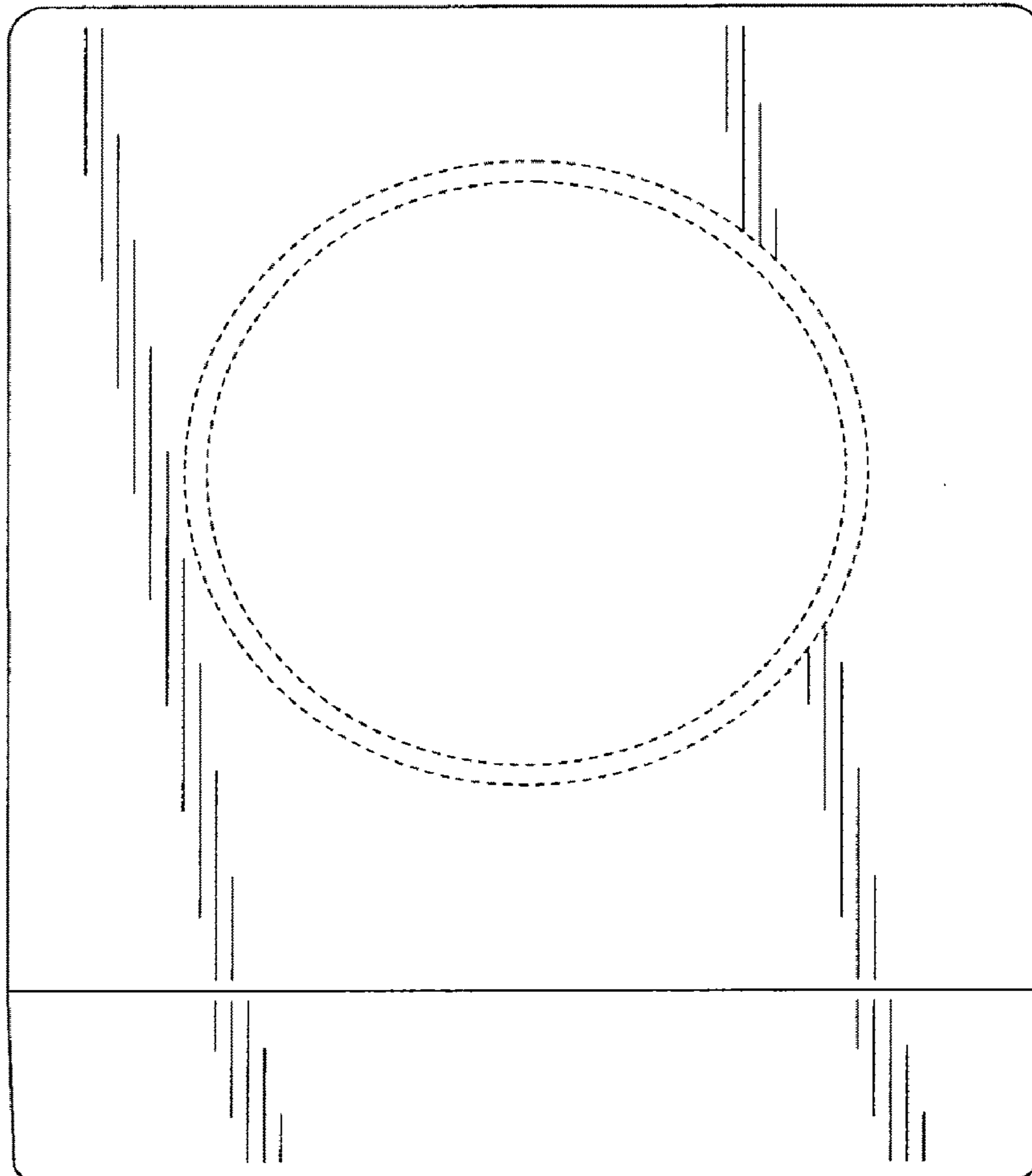


FIG.4

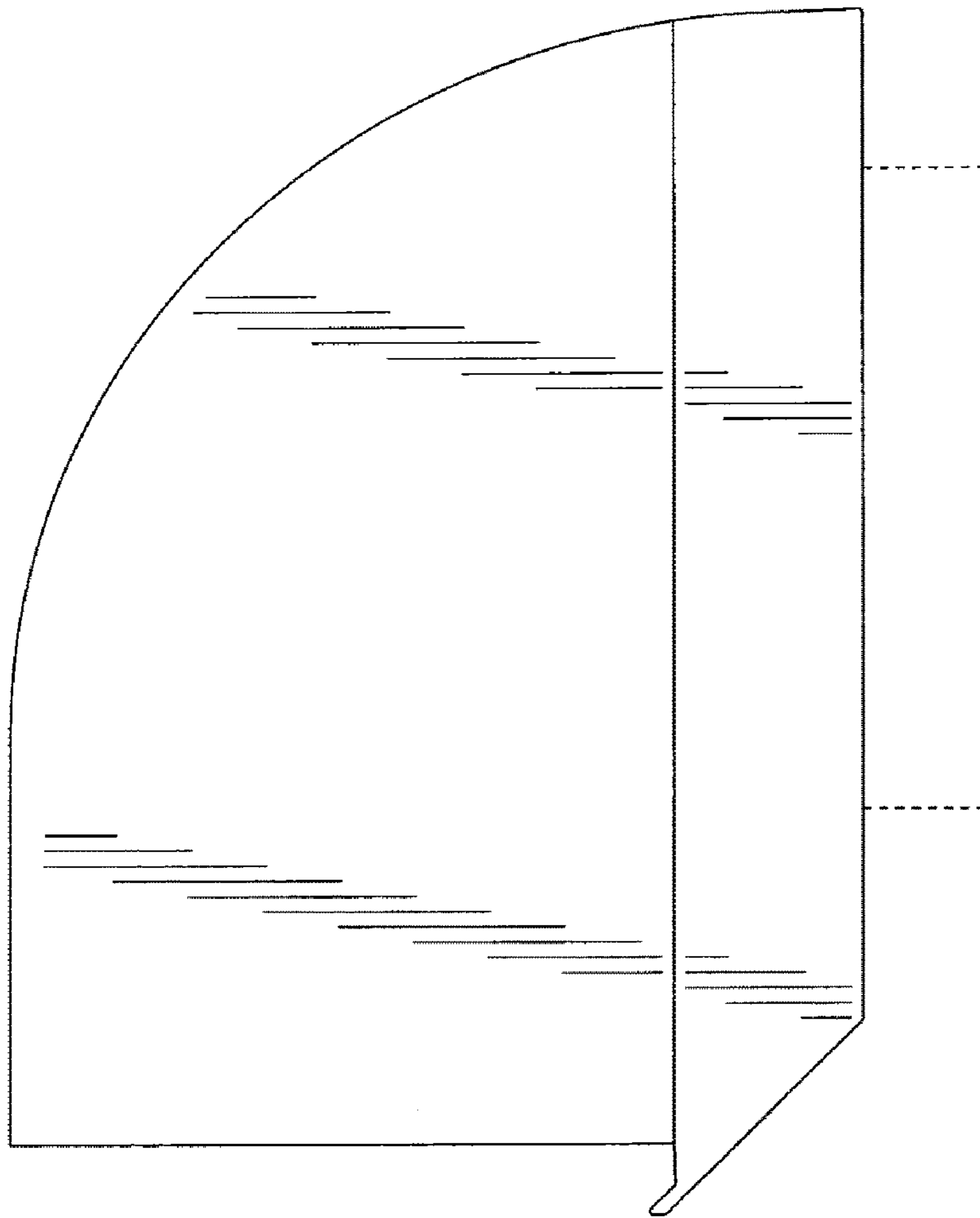


FIG.5

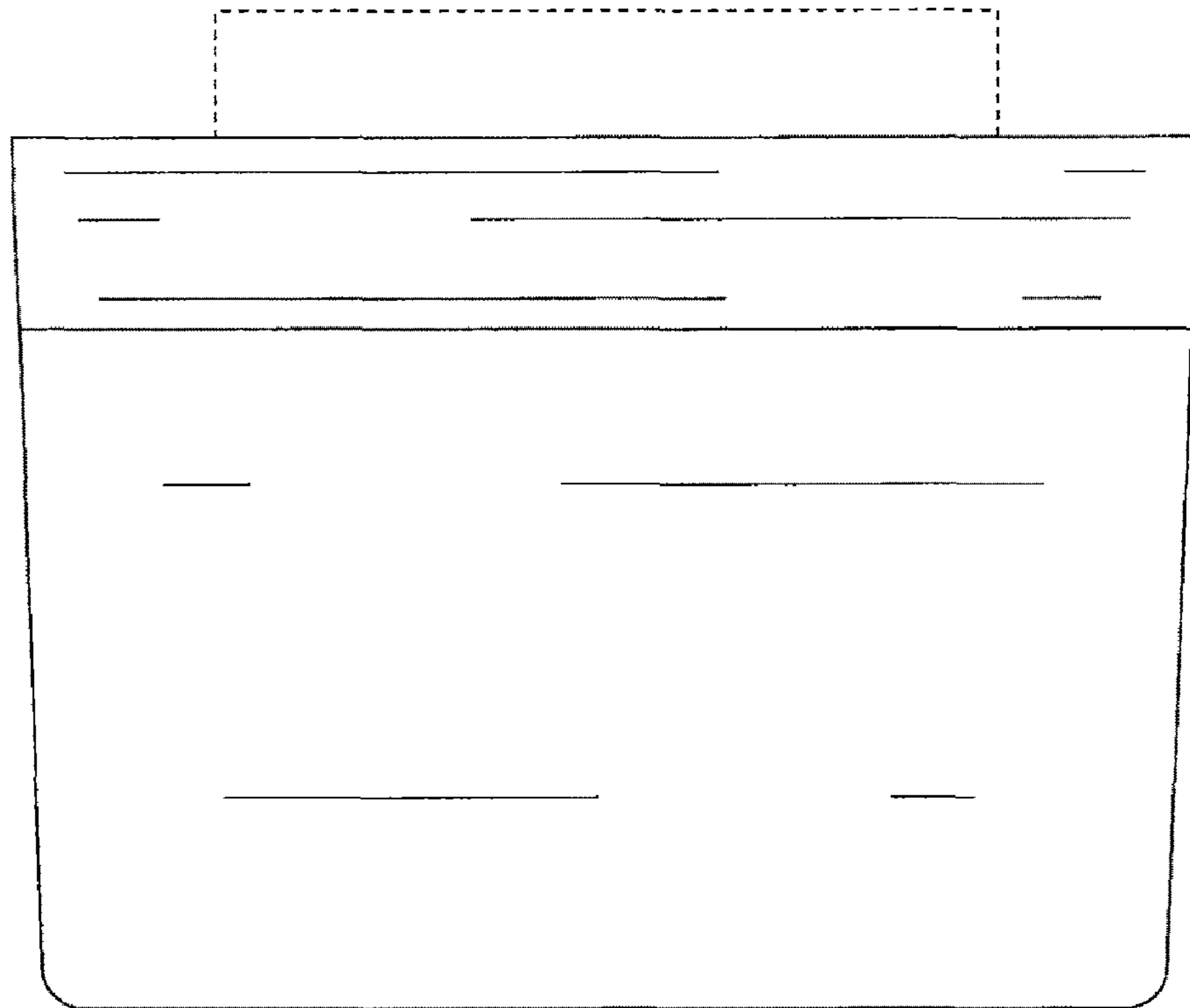


FIG.6

