



US00D674070S

(12) **United States Design Patent**
Barron et al.

(10) **Patent No.:** **US D674,070 S**
(45) **Date of Patent:** **** Jan. 8, 2013**

(54) **FRAGRANCE DISPENSER HOLDER**

(75) Inventors: **Bradley J. Barron**, Milwaukee, WI (US); **Gregory A. Falduto**, Grayslake, IL (US); **Marcelo L. Ginestel**, Racine, WI (US); **Mark Groth**, Racine, WI (US); **Kevin Harrity**, Oak Creek, WI (US); **Amelia H. Majerowski**, Kenosha, WI (US); **Pedro Neves de Oliveira Neto**, Milwaukee, UT (US); **Mary Sheiu Wong**, Fox Point, WI (US)

(73) Assignee: **S. C. Johnson & Son, Inc.**, Racine, WI (US)

(**) Term: **14 Years**

(21) Appl. No.: **29/390,459**

(22) Filed: **Apr. 25, 2011**

(51) **LOC (9) Cl.** **28-99**

(52) **U.S. Cl.** **D23/366**

(58) **Field of Classification Search** D23/355-369;
D28/5, 6; 261/DIG. 17, DIG. 42, DIG. 65,
261/DIG. 88, DIG. 89; 392/386, 390, 394,
392/395; 239/34, 44, 53, 55, 56, 326; D26/14,
D26/17, 98

See application file for complete search history.

(56) **References Cited**

U.S. PATENT DOCUMENTS

3,553,873 A 1/1971 Weston
4,166,565 A 9/1979 Webinger
4,219,145 A 8/1980 Jaeschke et al.
D258,082 S * 1/1981 Schimanski D23/369

(Continued)

Primary Examiner — Sandra Snapp

(57) **CLAIM**

The ornamental design for a fragrance dispenser holder, as shown and described.

DESCRIPTION

FIG. 1 is an isometric view of a top, front, and right side of an ornamental design for a fragrance dispenser holder;

FIG. 2 is a front elevational view of the holder and plate of FIG. 1;

FIG. 3 is a rear elevational view of the holder and plate of FIG. 1;

FIG. 4 is a right side elevational view of the holder and plate of FIG. 1, the left side elevational view being a mirror image thereof;

FIG. 5 is a top plan view of the holder and plate of FIG. 1;

FIG. 6 is a bottom plan view of the holder and plate of FIG. 1;

FIG. 7 is an isometric view of a top, back, and left side of the holder and plate of FIG. 1;

FIG. 8 is an isometric view of a different embodiment of the holder and plate shown in FIG. 7;

FIG. 9 is an isometric view of a top, front, and right side of another ornamental design for a fragrance dispenser holder;

FIG. 10 is a front elevational view of the holder and plate of FIG. 9;

FIG. 11 is a rear elevational view of the holder and plate of FIG. 9;

FIG. 12 is a right side elevational view of the holder and plate of FIG. 9, the left side elevational view being a mirror image thereof;

FIG. 13 is a top plan view of the holder and plate of FIG. 9;

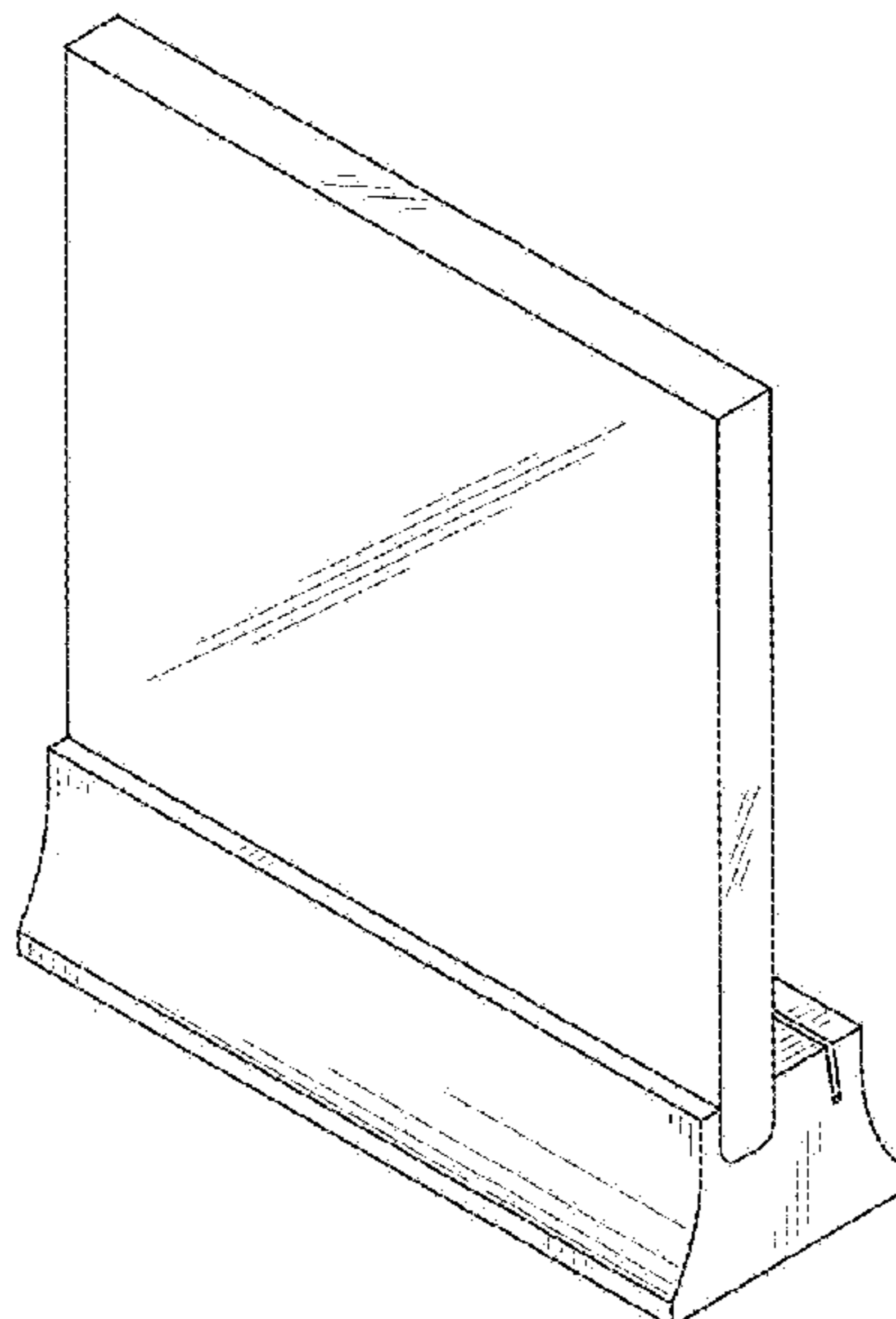
FIG. 14 is a bottom plan view of the holder and plate of FIG. 9;

FIG. 15 is an isometric view of a back, top, and left side of the holder and plate of FIG. 9; and,

FIG. 16 is an isometric view of a different embodiment of the holder and plate shown in FIG. 15.

The broken lines in the drawings depict environmental subject matter only and form no part of the claimed design.

1 Claim, 10 Drawing Sheets



US D674,070 S

Page 2

U.S. PATENT DOCUMENTS

4,244,303	A	1/1981	Kurasik				
4,257,558	A	3/1981	Mason, Jr.				
4,261,122	A	4/1981	LeVine				
D262,136	S *	12/1981	Patrigot	D23/369		
4,558,820	A	12/1985	Harris, Jr.				
4,660,763	A	4/1987	Gutkowski et al.				
D293,817	S	1/1988	Uchiyama				
4,729,183	A	3/1988	Tarter et al.				
4,993,177	A *	2/1991	Hudson	40/725		
5,247,745	A	9/1993	Valentino				
5,439,100	A	8/1995	Gordon et al.				
5,456,033	A	10/1995	Sachnoff				
D366,107	S *	1/1996	Shaffer	D23/366		
D369,473	S *	5/1996	Gluck	D6/300		
5,735,460	A *	4/1998	Eisenbraun	239/34		
D395,494	S	6/1998	Becker				
D407,809	S *	4/1999	Hammond	D23/366		
5,950,922	A *	9/1999	Flinn	239/34		
6,070,349	A	6/2000	Fantone et al.				
D451,686	S	12/2001	Allen				
D466,205	S	11/2002	Garcia				
D476,726	S *	7/2003	Rosenberg	D23/366		
D479,742	S *	9/2003	Hollingsworth	D23/366		
D481,113	S *	10/2003	Groene et al.	D23/366		
D484,583	S	12/2003	Hunt et al.				
6,730,311	B2	5/2004	Maleeny et al.				
D508,285	S *	8/2005	Velicescu	D23/366		
D522,640	S *	6/2006	Miro	D23/366		
D545,067	S *	6/2007	Mischel, Jr.	D6/300		
D548,827	S *	8/2007	Pivert et al.	D23/366		
D556,313	S	11/2007	Harbutt et al.				
D561,887	S	2/2008	Friedman et al.				
D568,456	S *	5/2008	Hollingsworth	D23/366		
D580,539	S *	11/2008	Rittri et al.	D23/364		
7,475,507	B2	1/2009	Graves				
7,549,598	B2	6/2009	Tepper et al.				
D597,644	S	8/2009	Wu				
D606,185	S	12/2009	Wefler et al.				
D610,813	S *	3/2010	Bennett	D6/300		
D613,391	S *	4/2010	Schwartz et al.	D23/366		
D614,276	S *	4/2010	Harris et al.	D23/364		
D638,531	S *	5/2011	Irwin et al.	D23/366		
D650,891	S *	12/2011	Freeborn et al.	D23/366		
2008/0169355	A1	7/2008	Pohl et al.				
2010/0083548	A1	4/2010	Reis				
2010/0162602	A1	7/2010	Da Ponte Moreira Rato et al.				

* cited by examiner

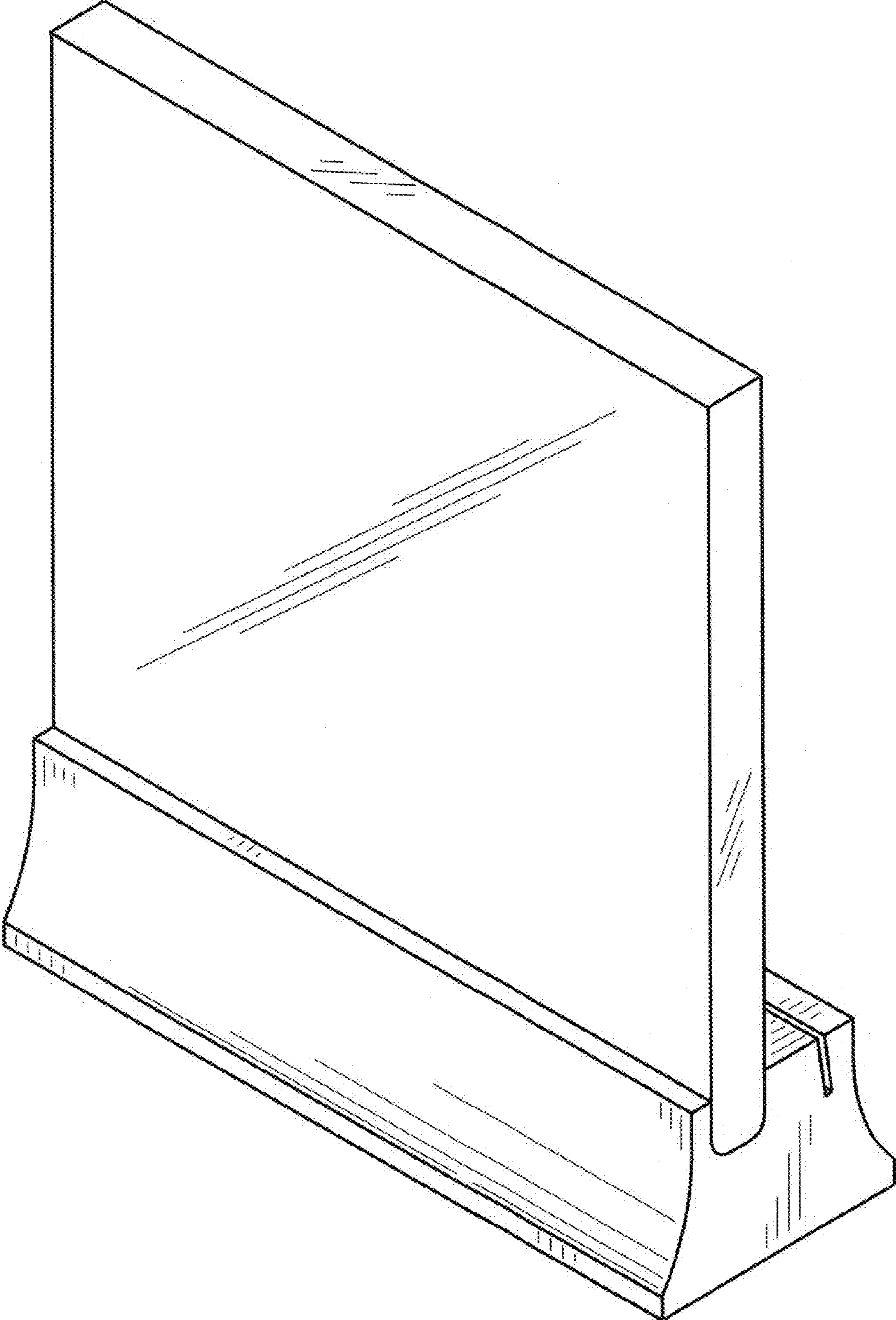


FIG. 1

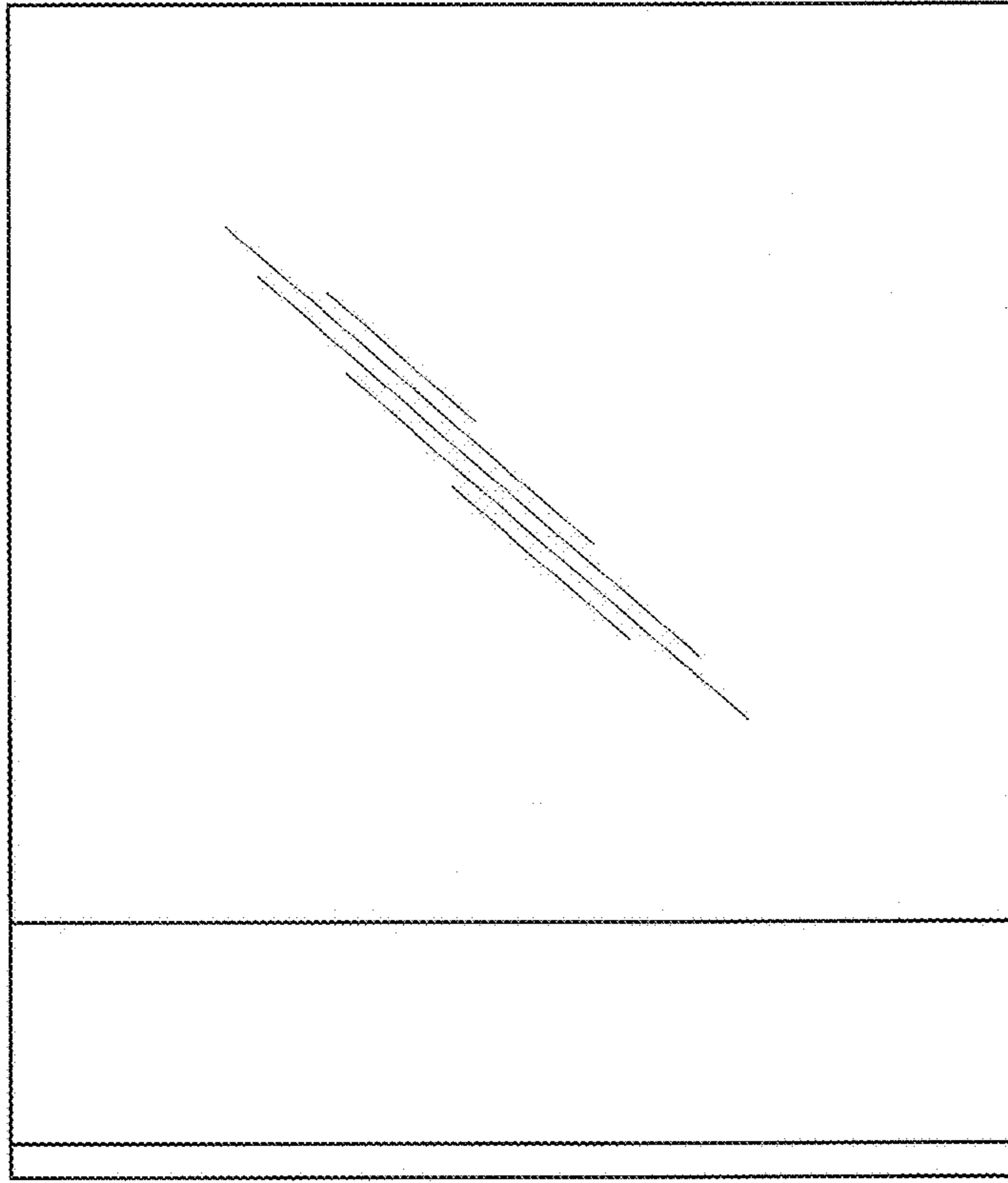


FIG. 2

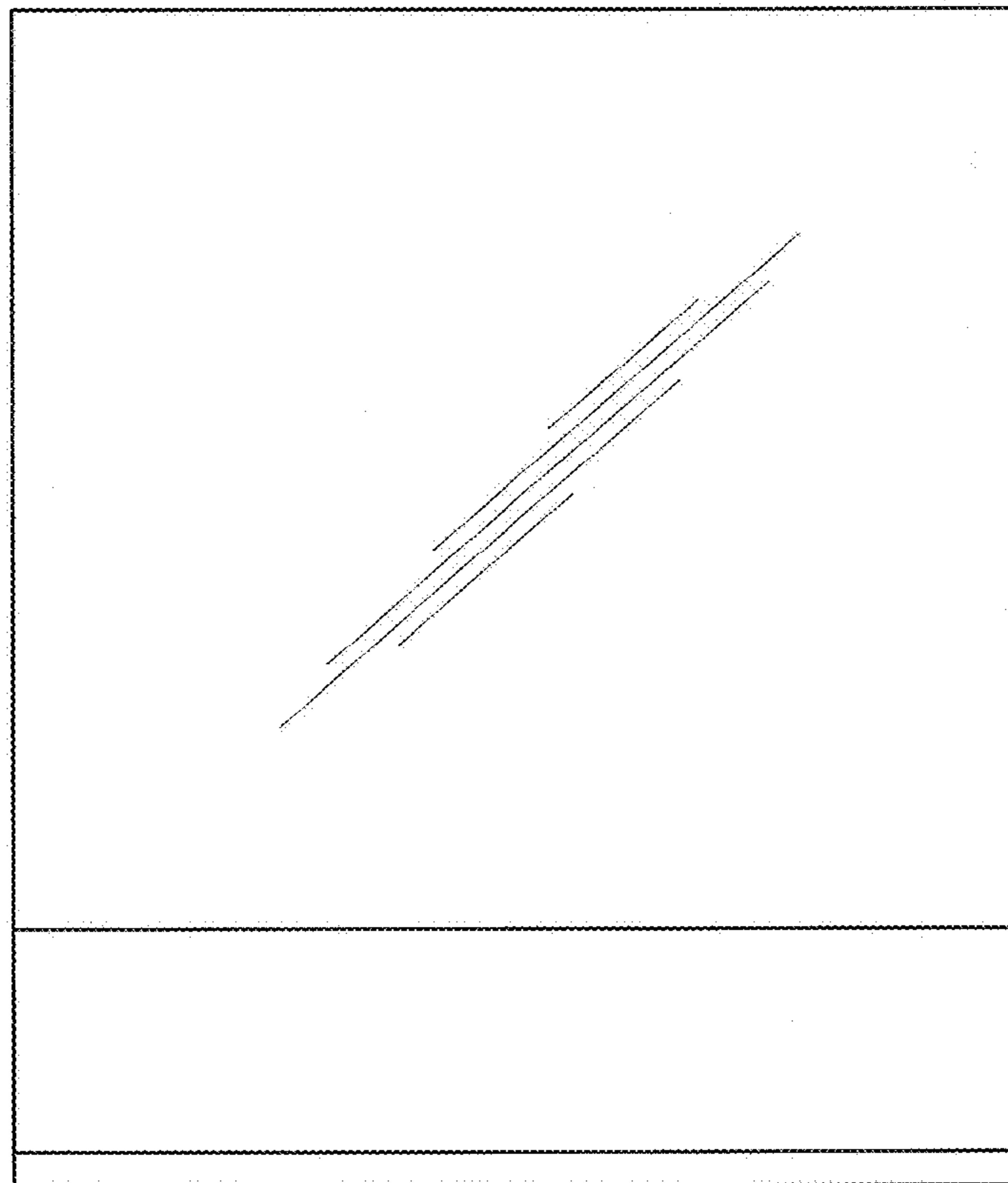


FIG. 3

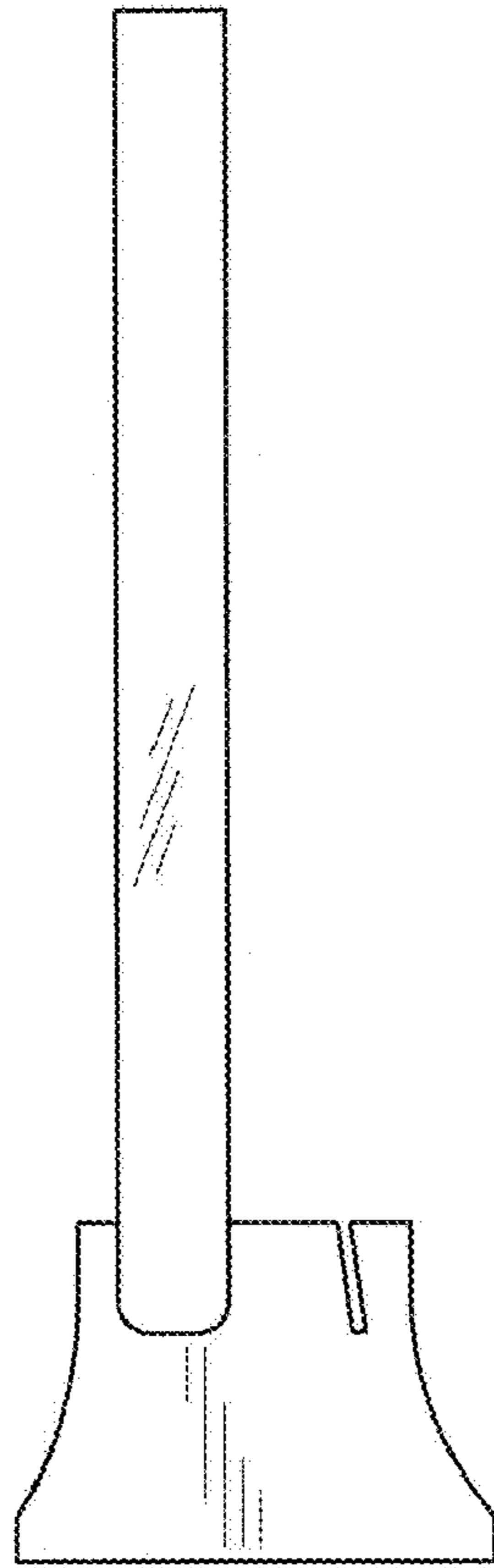


FIG. 4

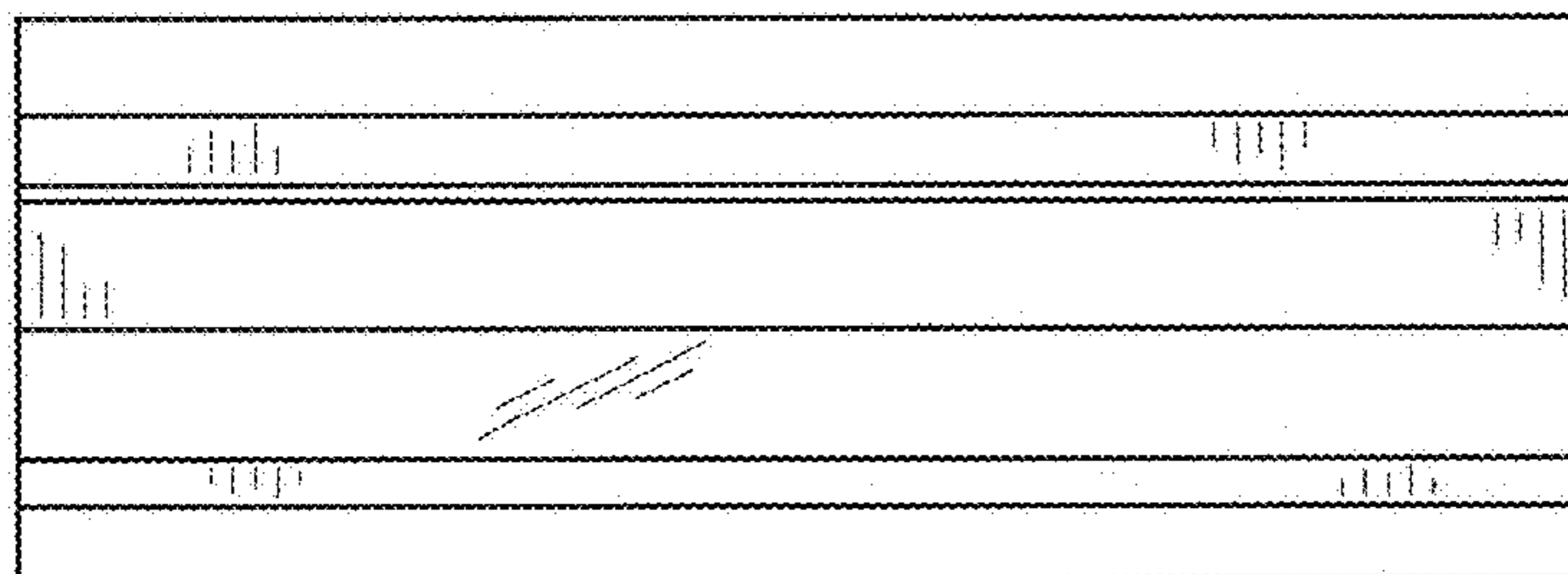


FIG. 5

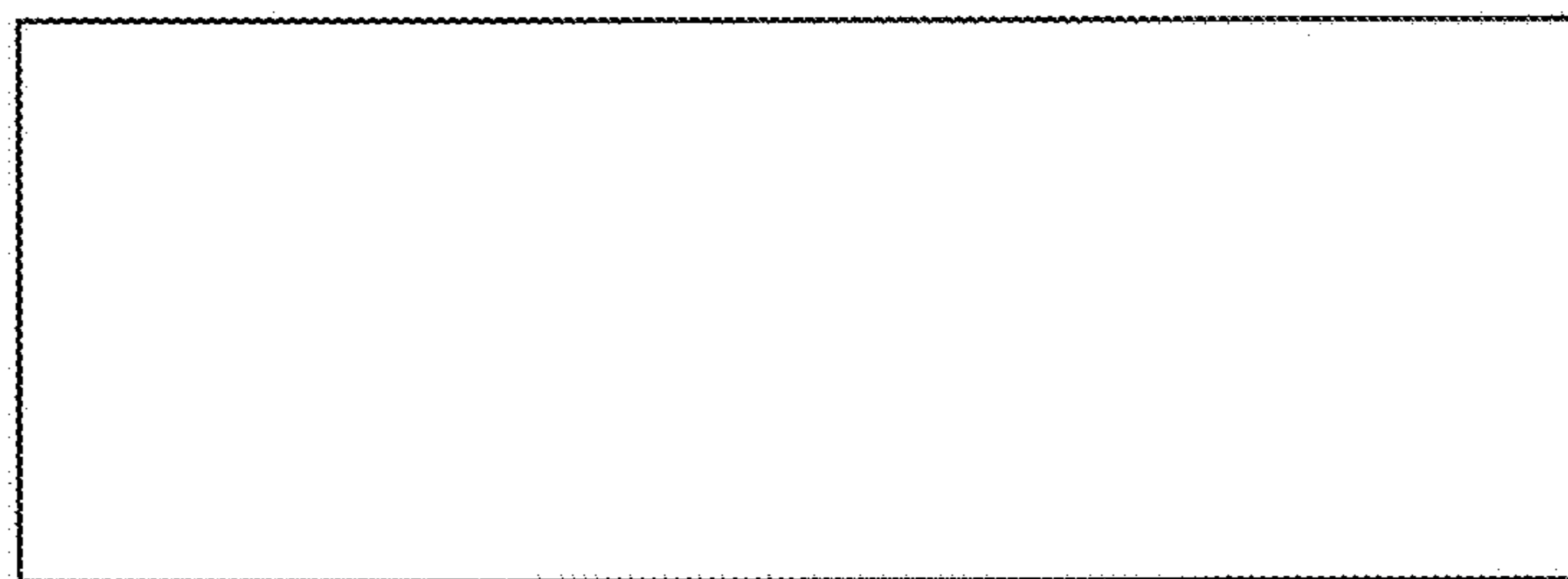


FIG. 6

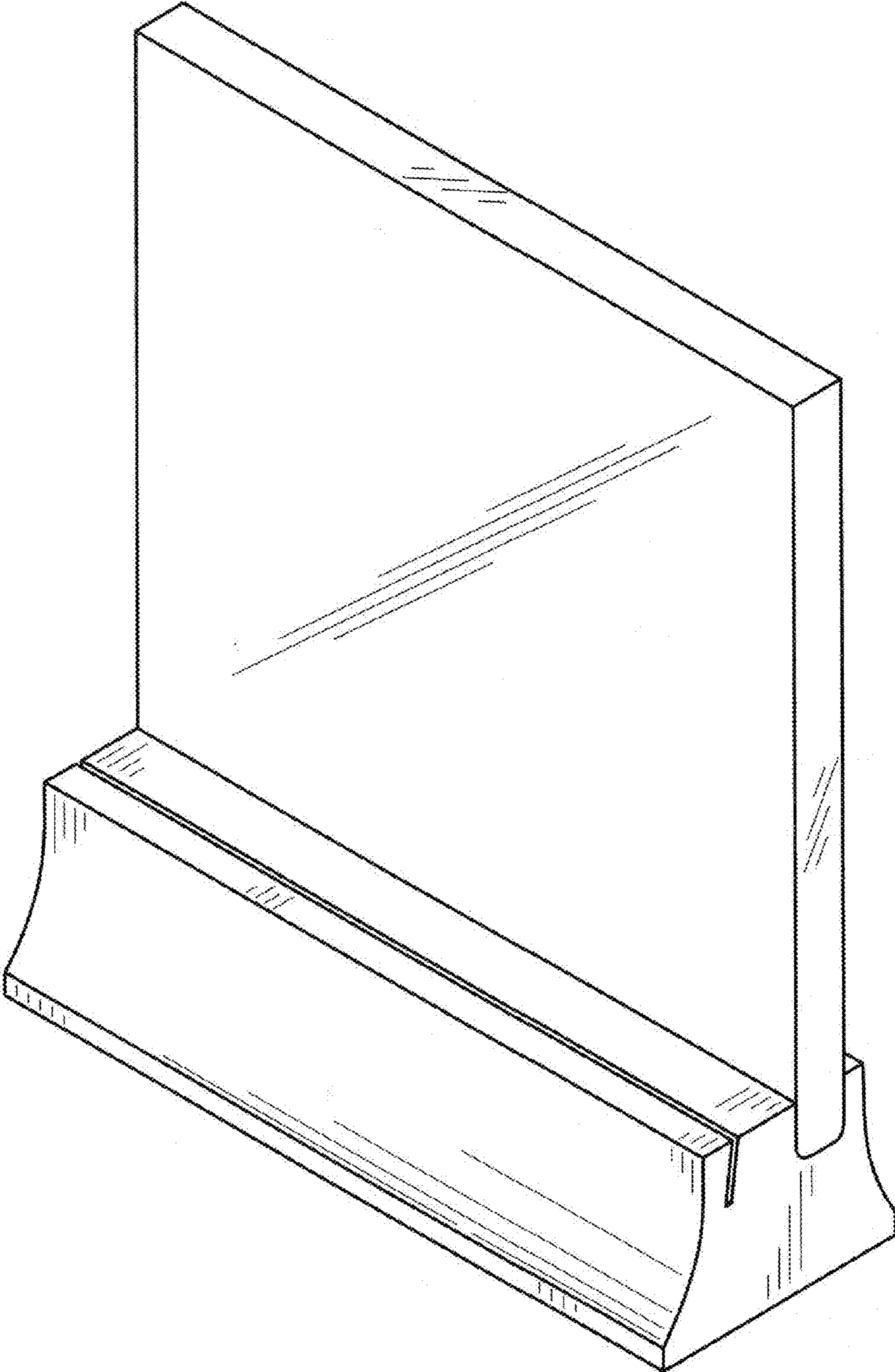


FIG. 7

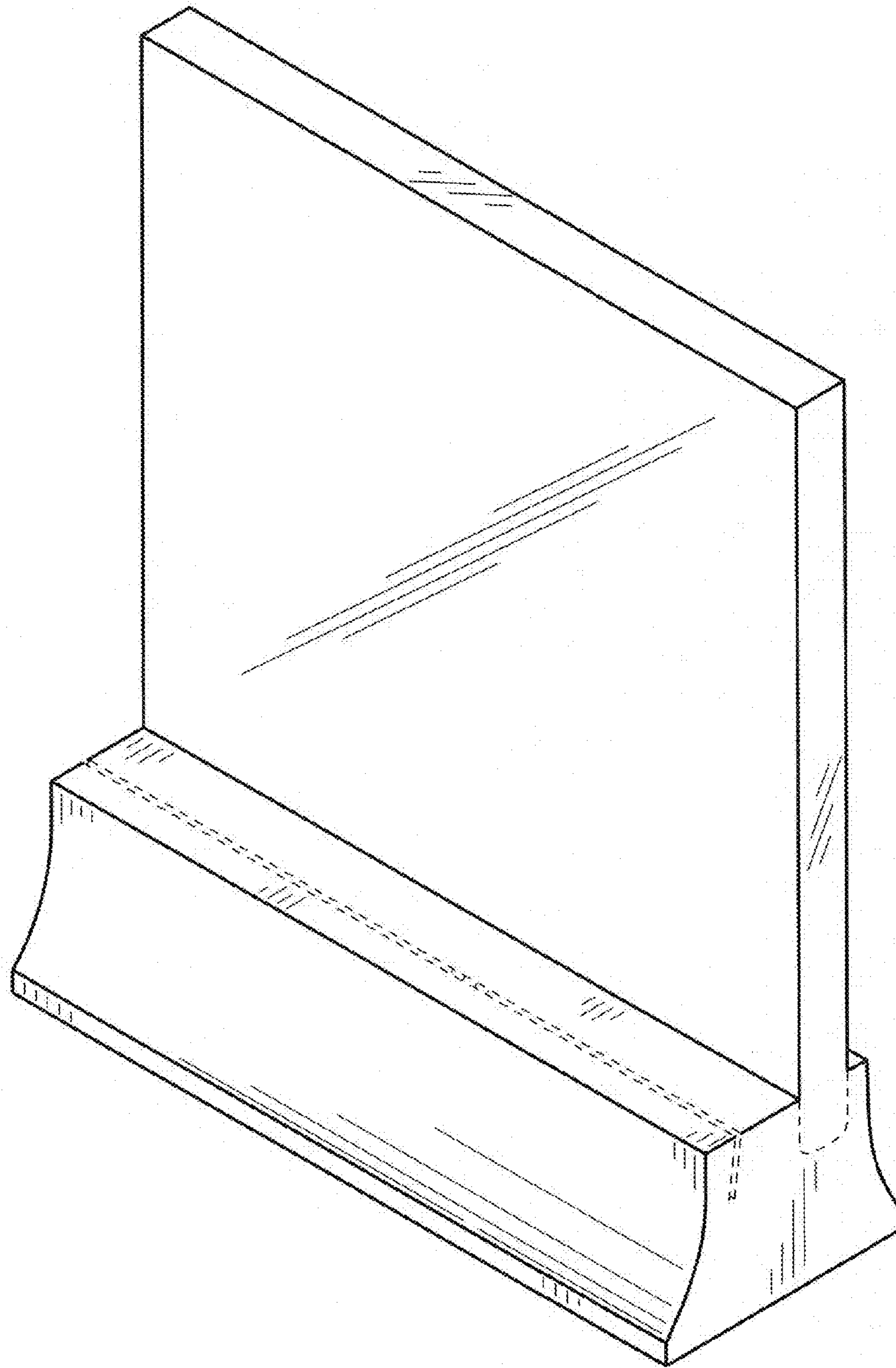


FIG. 8

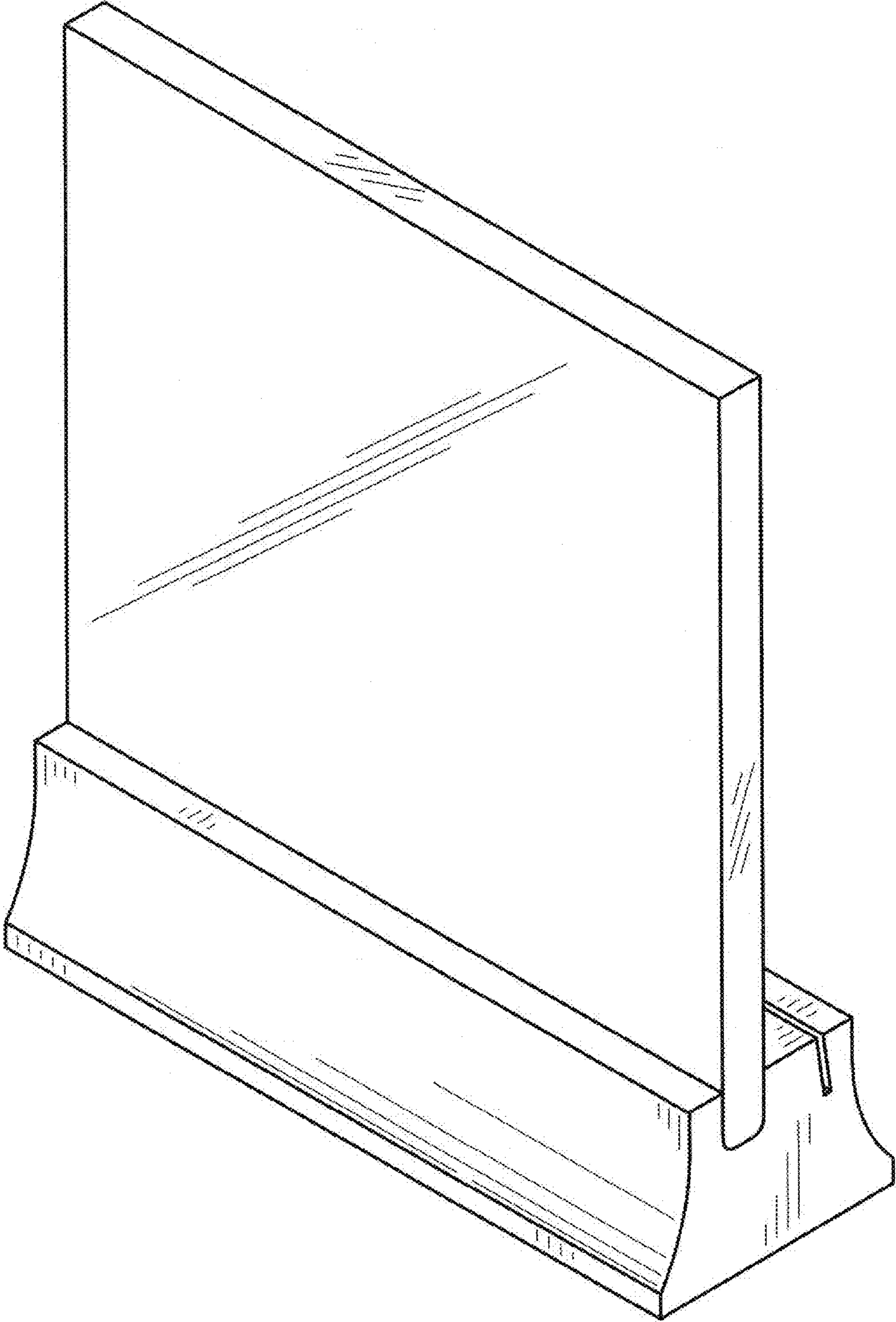


FIG. 9

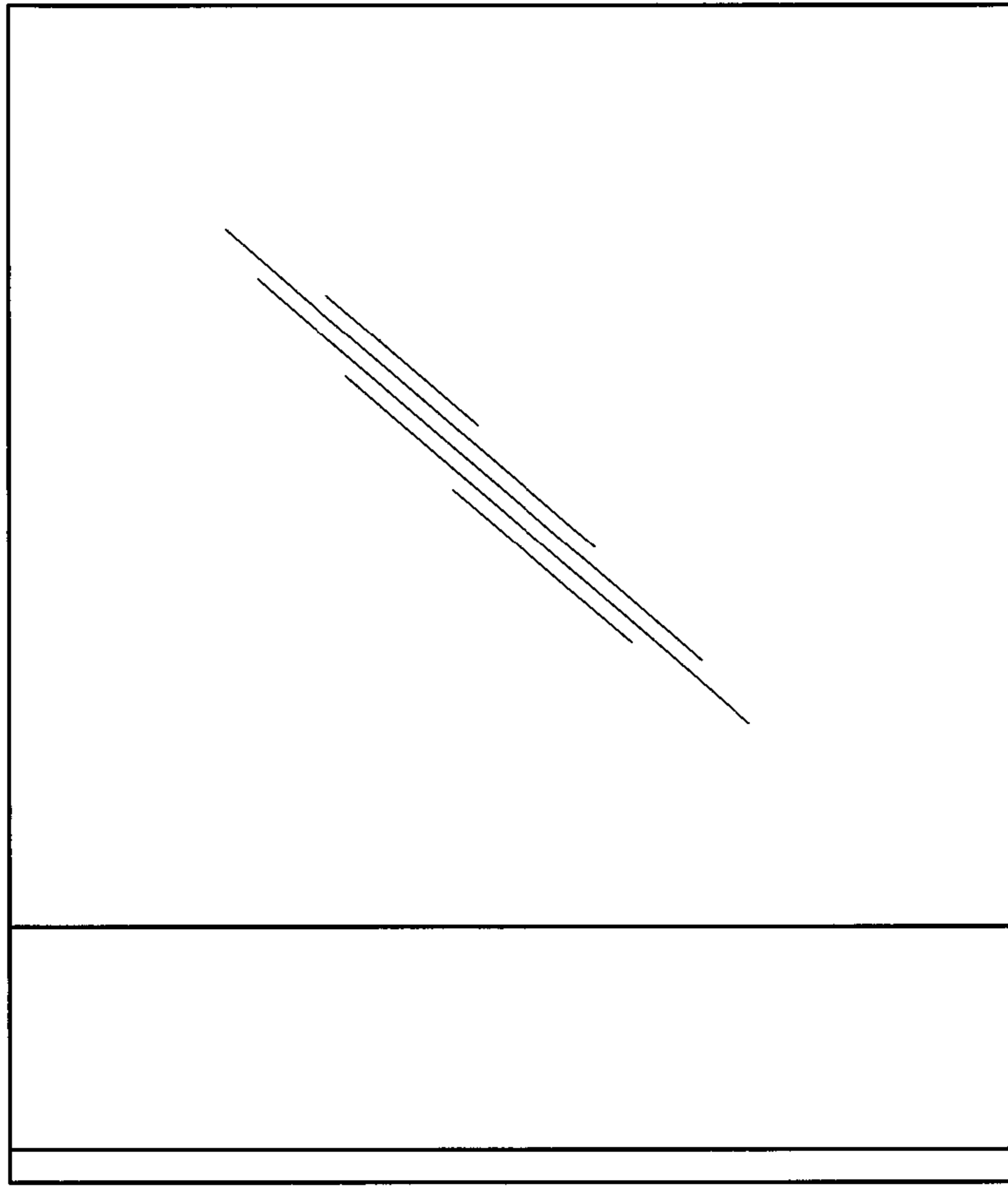


FIG. 10

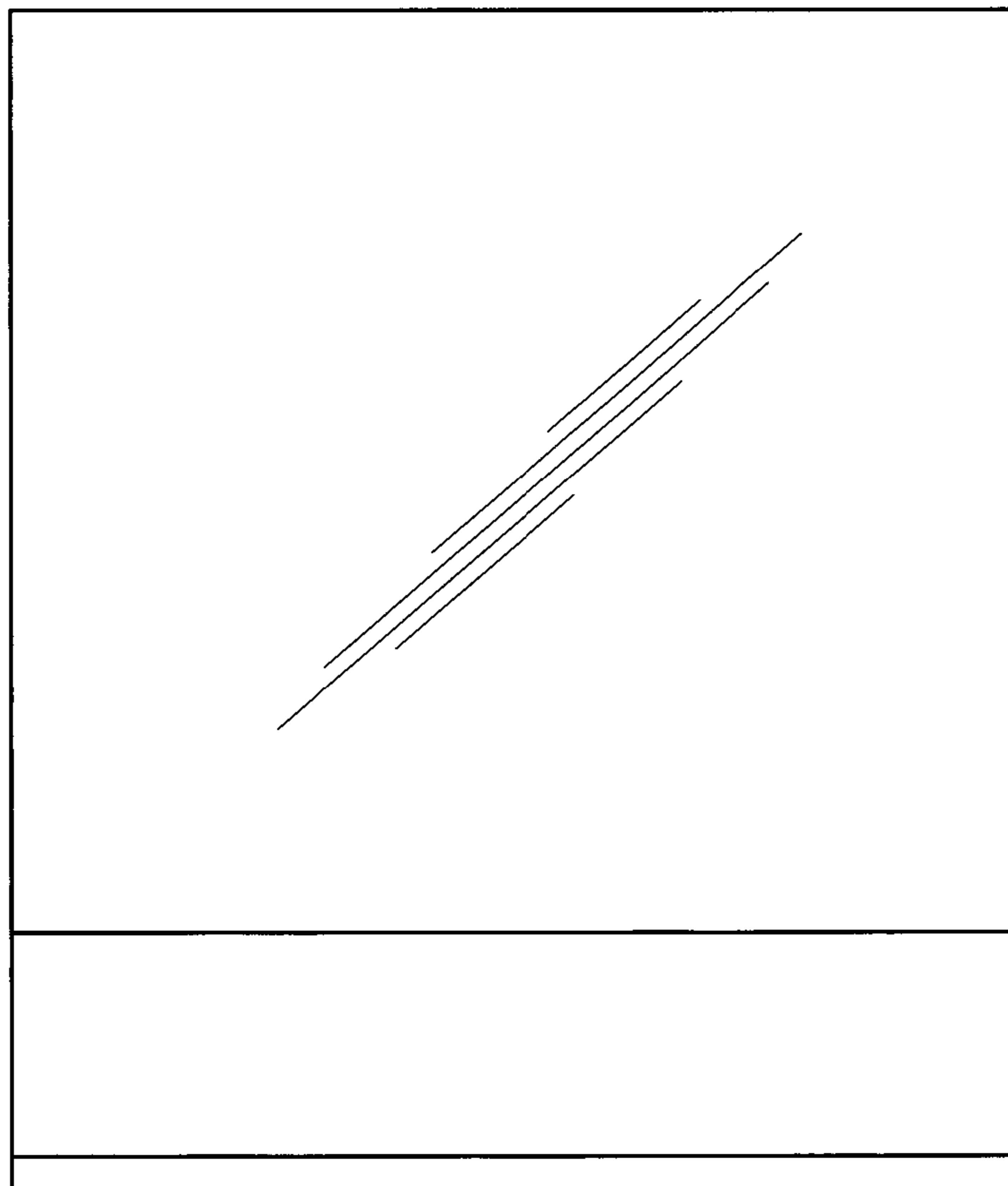


FIG. 11

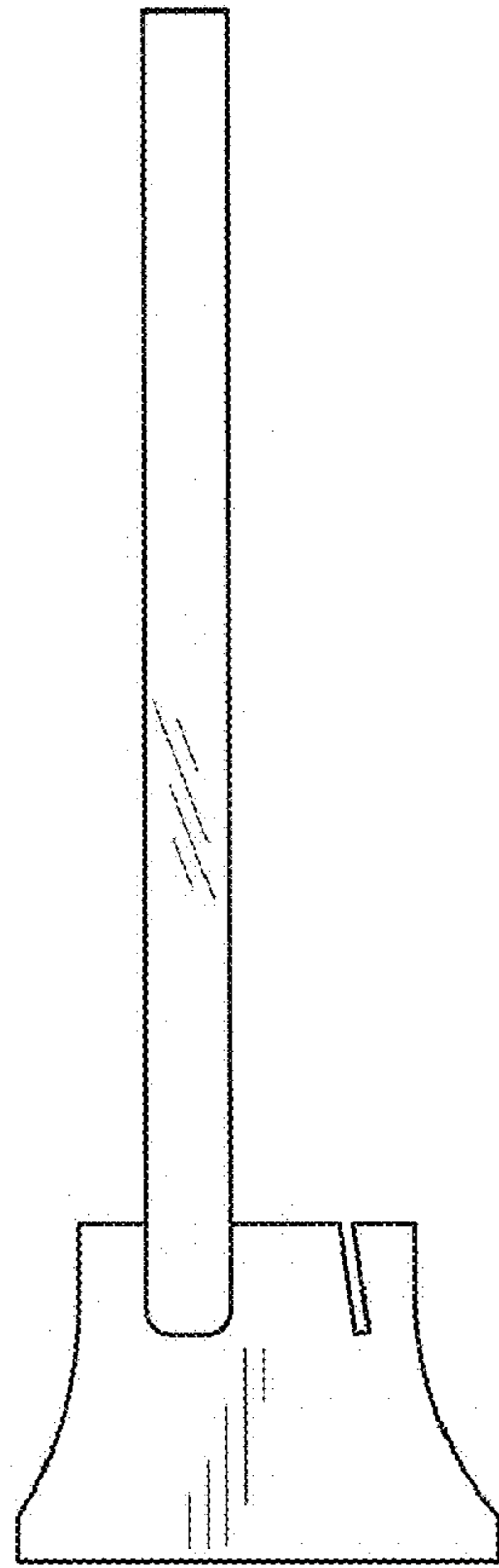


FIG. 12

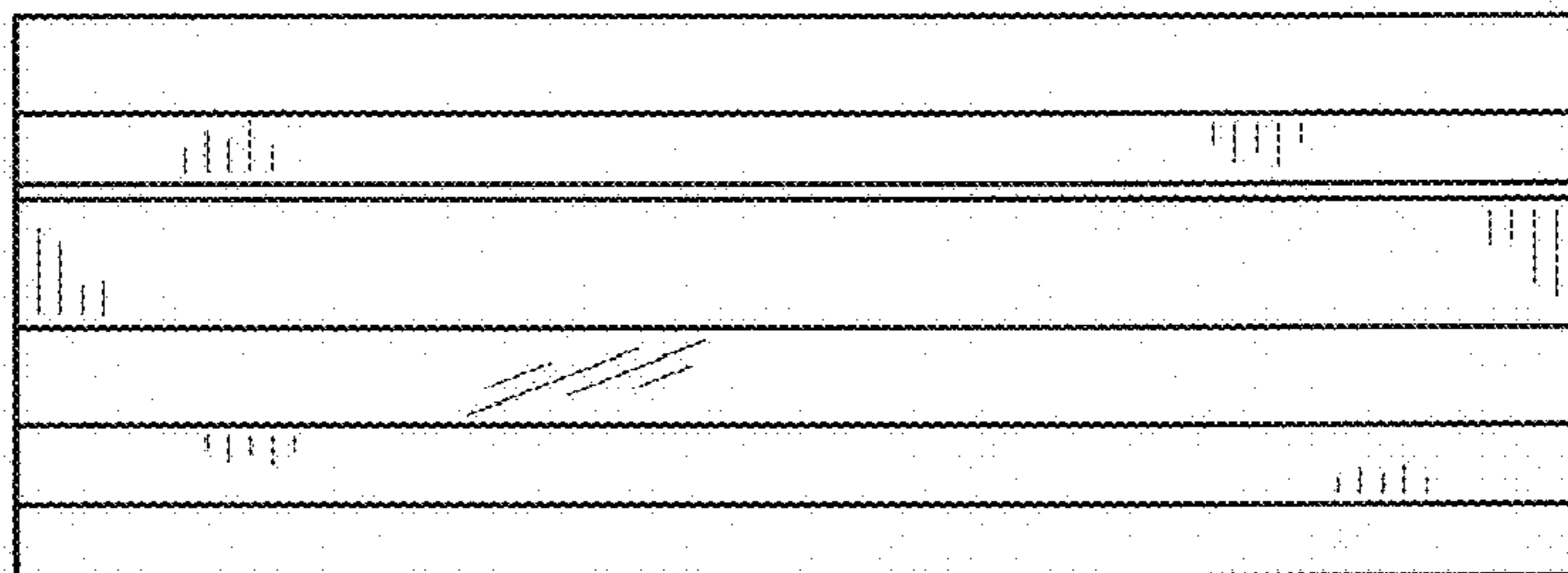


FIG. 13

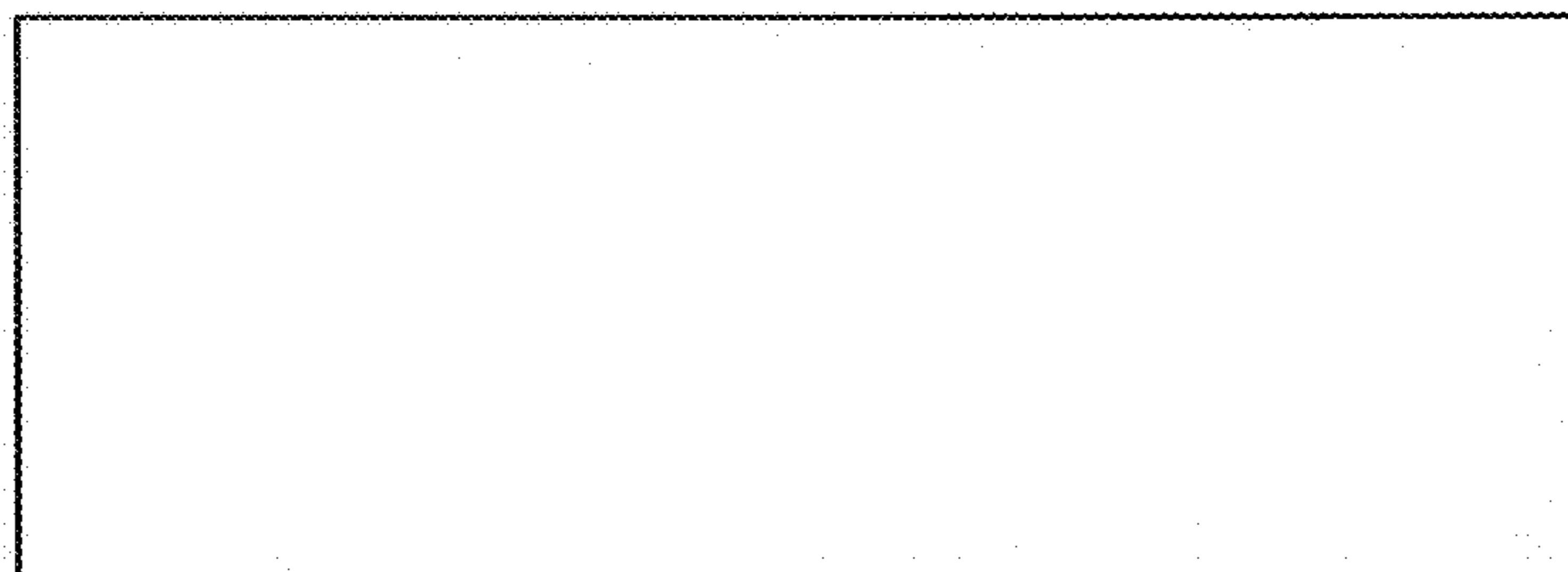


FIG. 14

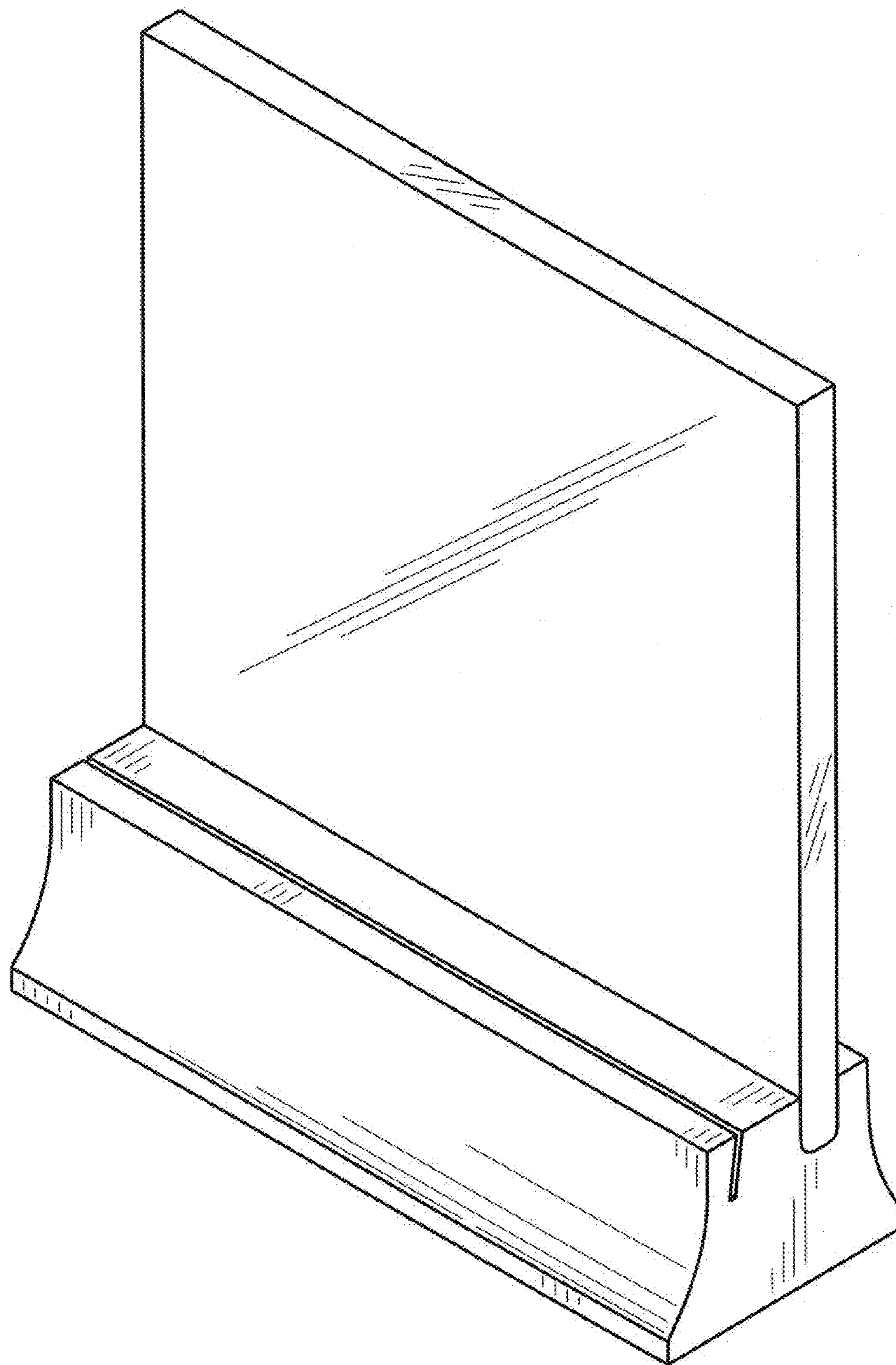


FIG. 15

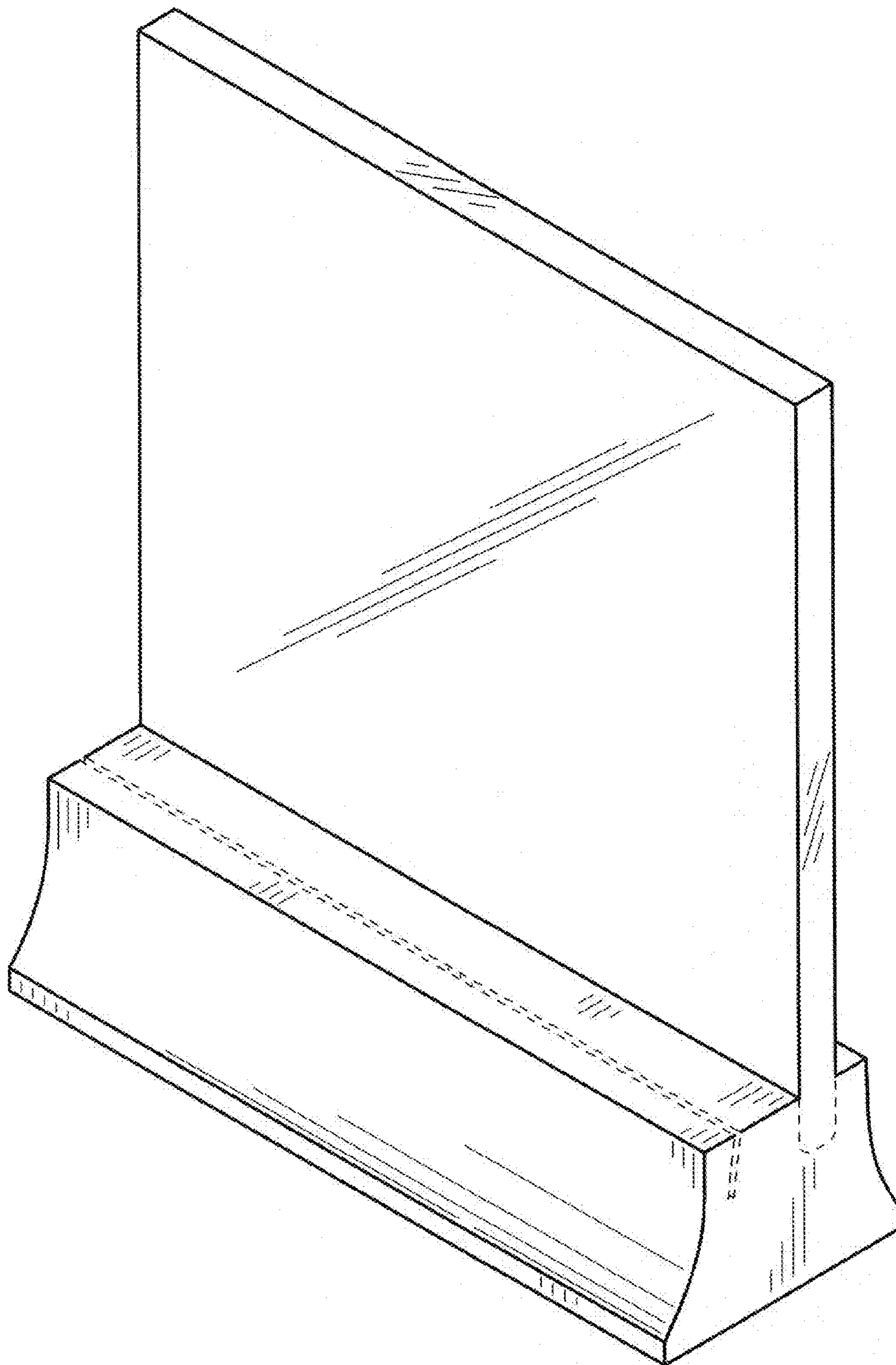


FIG. 16