



US00D674065S

(12) **United States Design Patent**  
**Du**

(10) **Patent No.:** **US D674,065 S**

(45) **Date of Patent:** **\*\* Jan. 8, 2013**

(54) **SINK WITH INTEGRATED SHELF**

*Primary Examiner* — Robert Delehanty

(76) Inventor: **Thuy Thanh Du**, Columbia, LA (US)

(74) *Attorney, Agent, or Firm* — Richard D. Clarke

(\*\*) Term: **14 Years**

(57) **CLAIM**

(21) Appl. No.: **29/422,383**

I claim the ornamental design for a sink with integrated shelf, as shown and described.

(22) Filed: **May 18, 2012**

(51) **LOC (9) Cl.** ..... **23-02**

(52) **U.S. Cl.** ..... **D23/284**

(58) **Field of Classification Search** ..... D23/284,  
D23/287, 293; 4/619, 656, 637  
See application file for complete search history.

**DESCRIPTION**

(56) **References Cited**

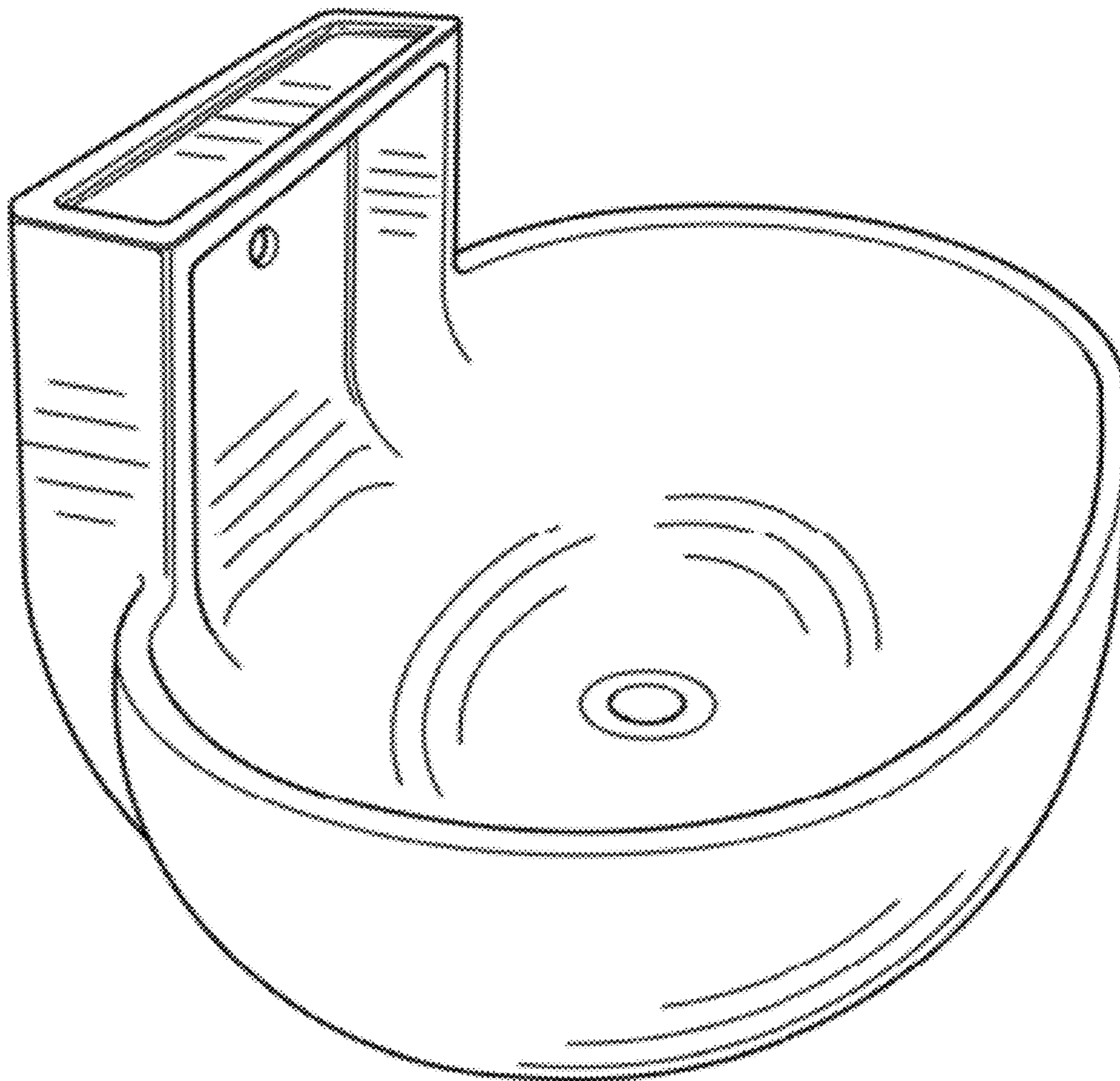
U.S. PATENT DOCUMENTS

D45,284 S \* 2/1914 Alpaugh ..... D23/284  
D119,300 S \* 3/1940 Bales ..... D23/291

FIG. 1 is a top, front and side elevation perspective view of the sink with integrated shelf;  
FIG. 2 is a rear view of the sink with integrated shelf;  
FIG. 3 is a side elevation view of the sink with integrated shelf, wherein the opposite side is a mirror image of same;  
FIG. 4 is a top plan view of the sink with integrated shelf;  
FIG. 5 is a front view of the sink with integrated shelf; and,  
FIG. 6 is bottom plan view of the sink with integrated shelf.

\* cited by examiner

**1 Claim, 2 Drawing Sheets**



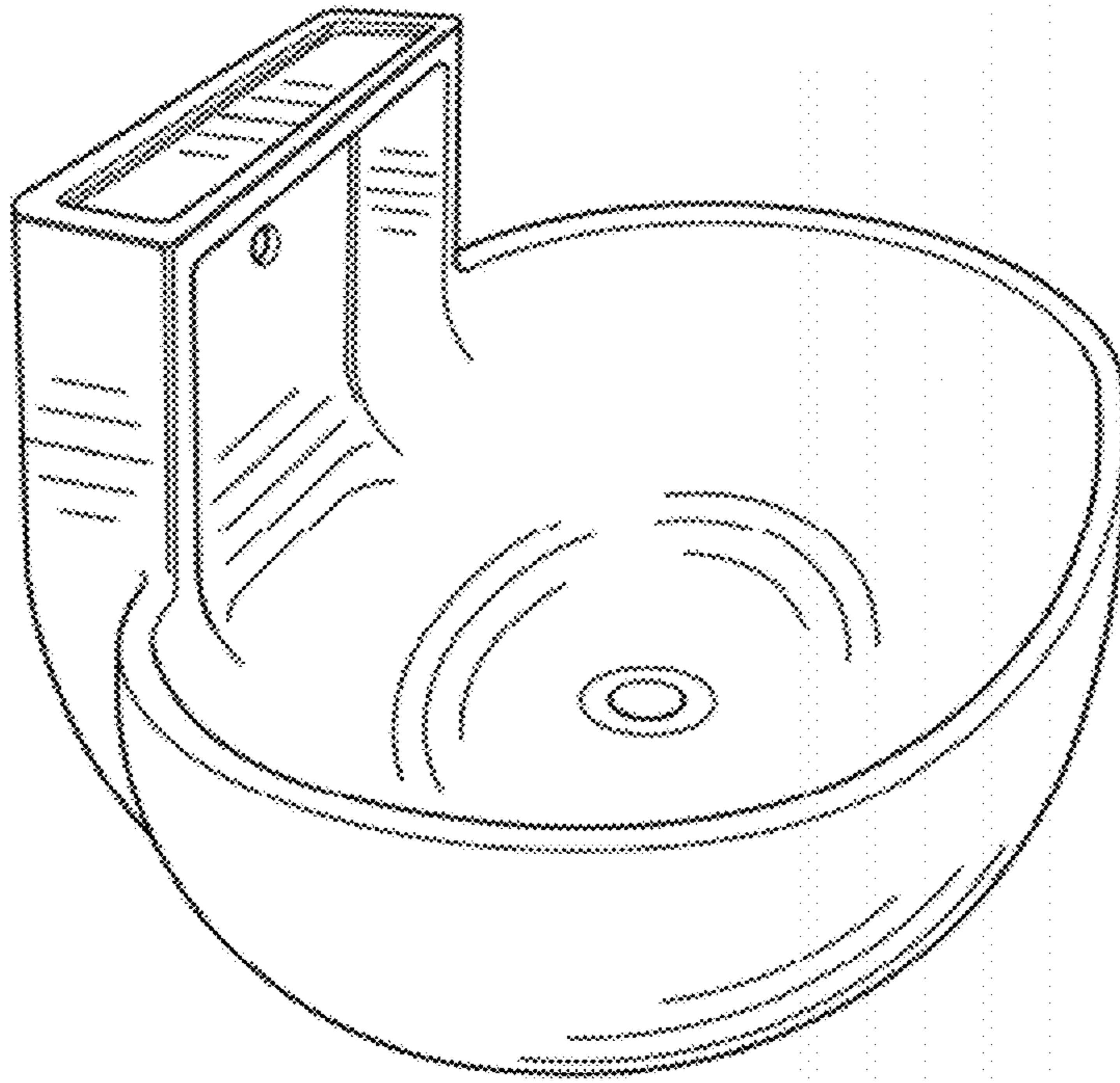


FIG. 1

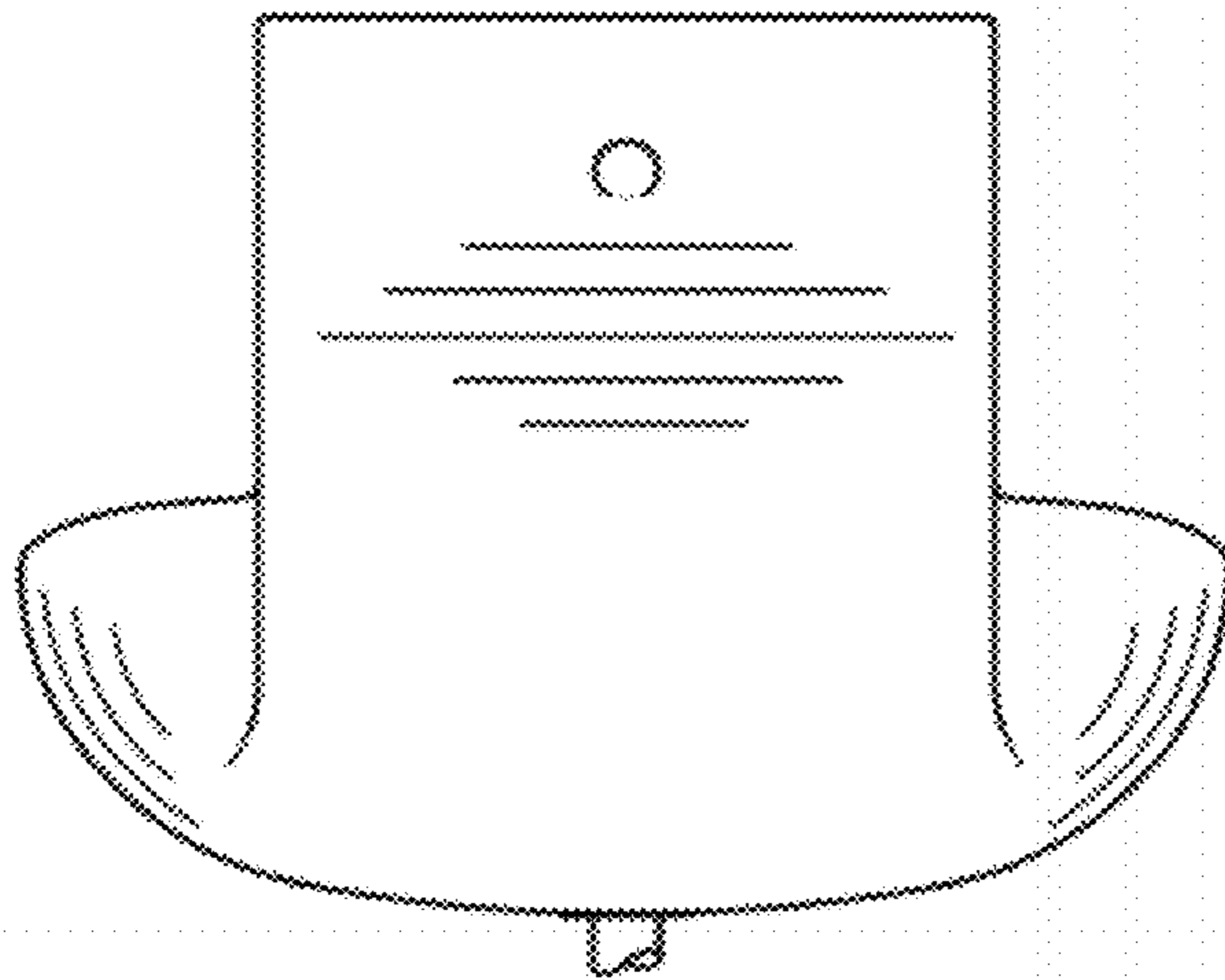


FIG. 2

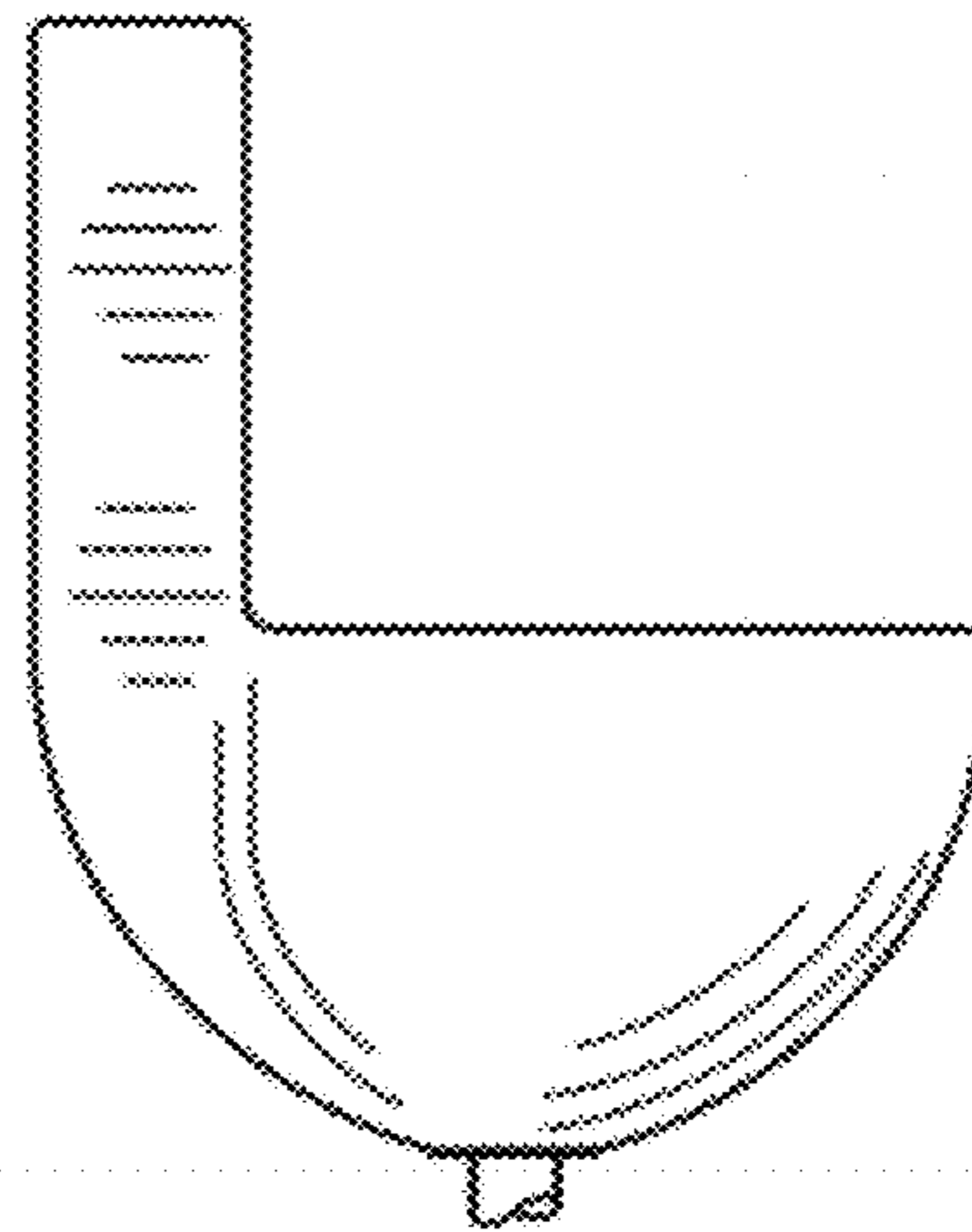


FIG. 3

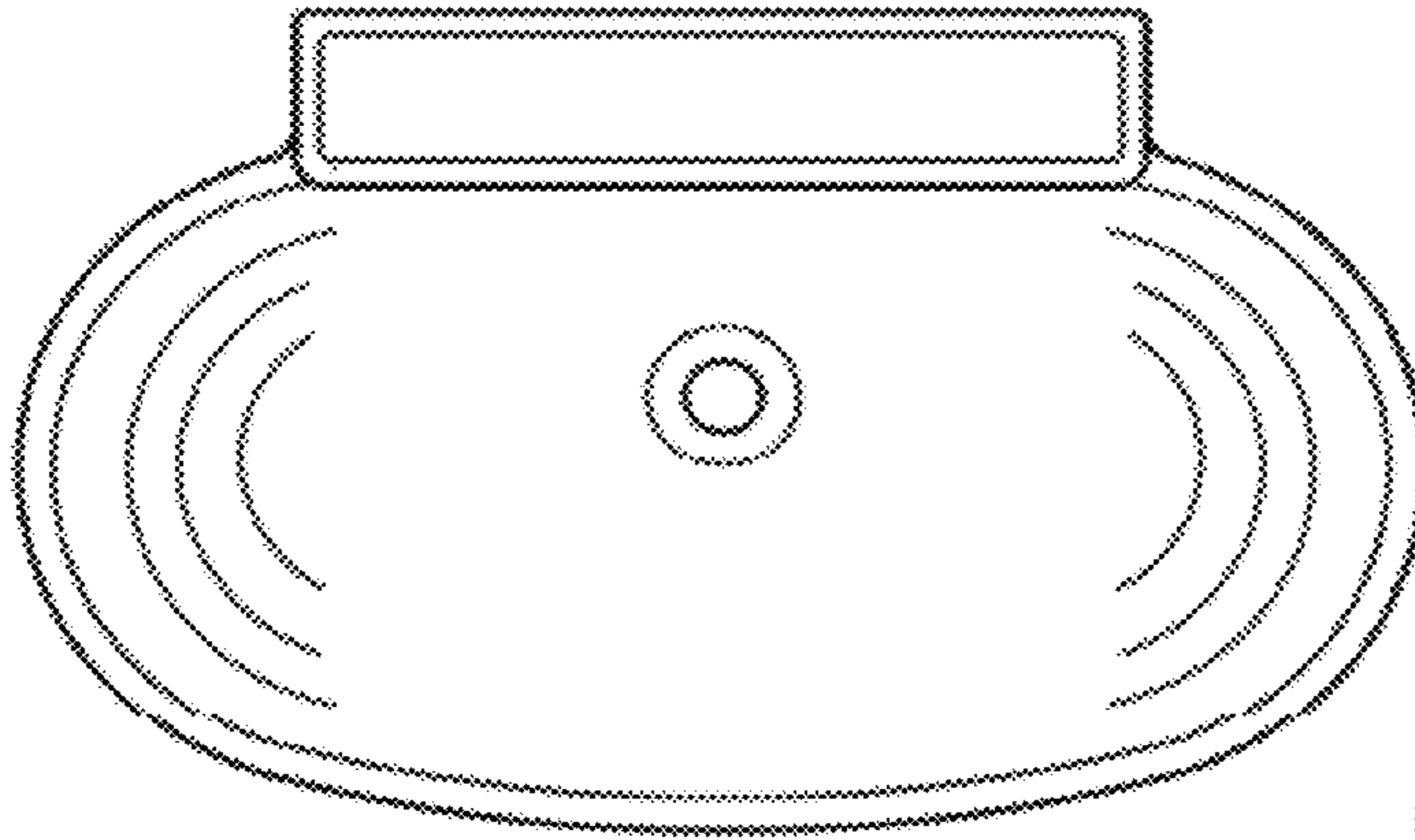


FIG. 4

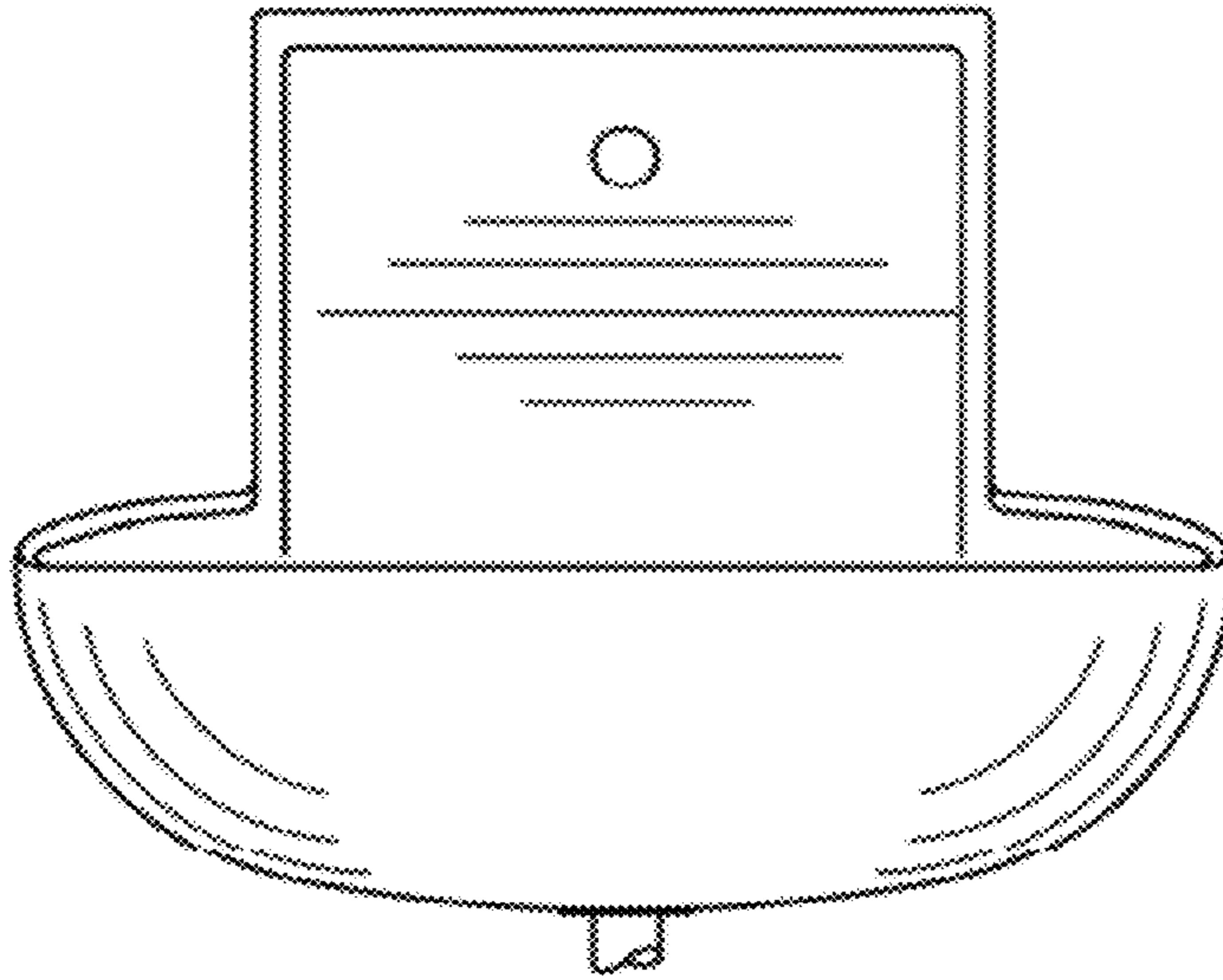


FIG. 5

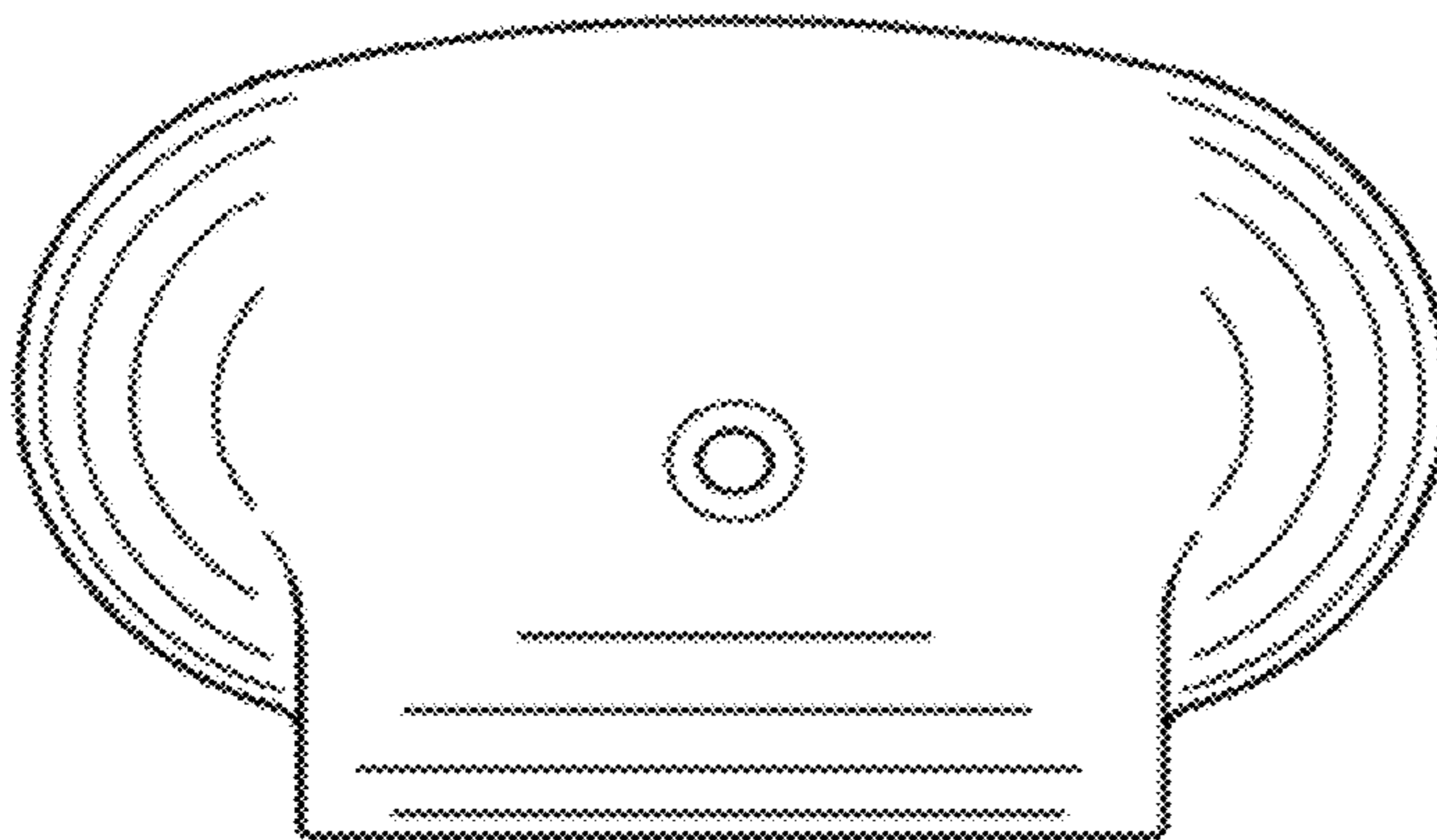


FIG. 6