



US00D674060S

(12) **United States Design Patent**  
**Wilk, Jr. et al.**

(10) **Patent No.:** **US D674,060 S**  
(45) **Date of Patent:** **\*\* Jan. 8, 2013**

(54) **PIPE COUPLING SEGMENT**

- (75) Inventors: **Charles E. Wilk, Jr.**, Slatington, PA (US); **Douglas R. Dole**, Whitehouse Station, NJ (US); **Anthony J. Cuvo**, Coopersburg, PA (US); **Scott D. Madara**, Nazareth, PA (US)
- (73) Assignee: **Victaulic Company**, Easton, PA (US)
- (\*\*) Term: **14 Years**
- (21) Appl. No.: **29/427,885**
- (22) Filed: **Jul. 24, 2012**

**Related U.S. Application Data**

- (62) Division of application No. 29/403,749, filed on Oct. 11, 2011, now Pat. No. Des. 665,888.
- (51) **LOC (9) Cl.** ..... **23-01**
- (52) **U.S. Cl.** ..... **D23/262**
- (58) **Field of Classification Search** ..... D23/259-262; D8/396; 239/428.5; 261/DIG. 22; 285/1, 285/112, 179, 340, 367, 404, 53, 915; 403/291, 403/300; 411/5, 10; 137/801  
See application file for complete search history.

(56) **References Cited**

**U.S. PATENT DOCUMENTS**

D142,057	S	8/1945	Baxter	
6,626,466	B1	9/2003	Dole	
7,090,259	B2	8/2006	Dole	
7,540,540	B2	6/2009	Kwon et al.	
D618,315	S	6/2010	Bowman et al.	
D625,788	S	10/2010	Madara et al.	
D629,083	S	12/2010	Dole et al.	
D650,889	S	12/2011	van Walraven	
D665,056	S *	8/2012	Cuvo et al.	D23/262
D665,889	S *	8/2012	Dole et al.	D23/262
8,267,432	B2 *	9/2012	Madara et al.	285/112
2004/0036291	A1	2/2004	Dole	

**OTHER PUBLICATIONS**

- Chionchio, John A.; Pipe Coupling Segment; U.S. Appl. No. 29/427,884, filed Jul. 24, 2012; Specification (pp. 1-2), Drawings (pp. 3-4).
- Chionchio, John A.; Pipe Coupling Segment; U.S. Appl. No. 29/427,887, filed Jul. 24, 2012; Specification (pp. 1-2); Drawings (pp. 3-4).
- Chionchio, John A.; Pipe Coupling Segment; U.S. Appl. No. 29/427,889, filed Jul. 24, 2012; Specification (pp. 1-2); Drawings (pp. 3-4).
- Chionchio, John A.; Pipe Coupling Segment; U.S. Appl. No. 29/427,890, filed Jul. 24, 2012; Specification (pp. 1-2); Drawings (pp. 3-4).

\* cited by examiner

*Primary Examiner* — Eric Goodman

(74) *Attorney, Agent, or Firm* — Ballard Spahr LLP

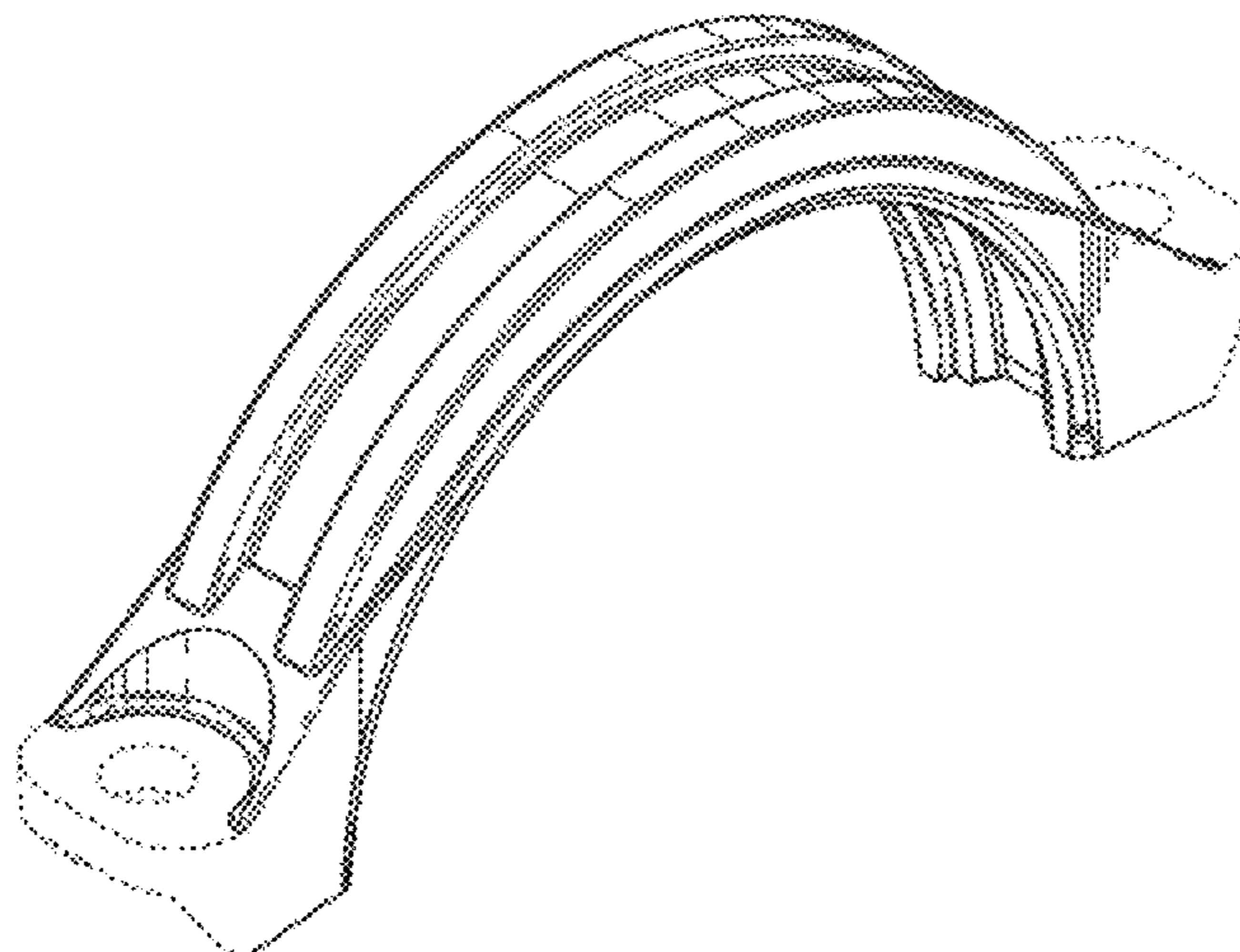
(57) **CLAIM**

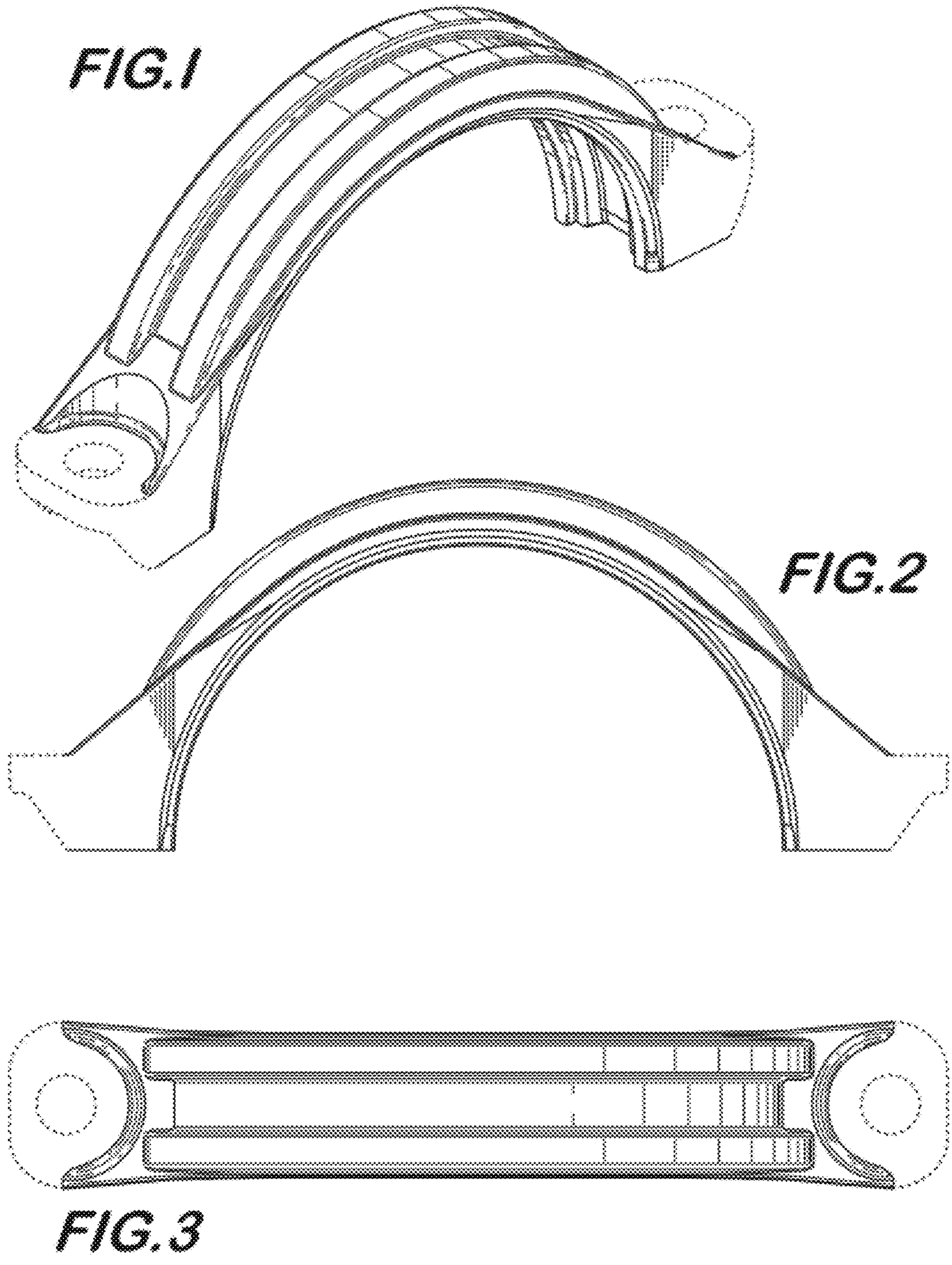
We claim the ornamental design for a pipe coupling segment, as shown and described.

**DESCRIPTION**

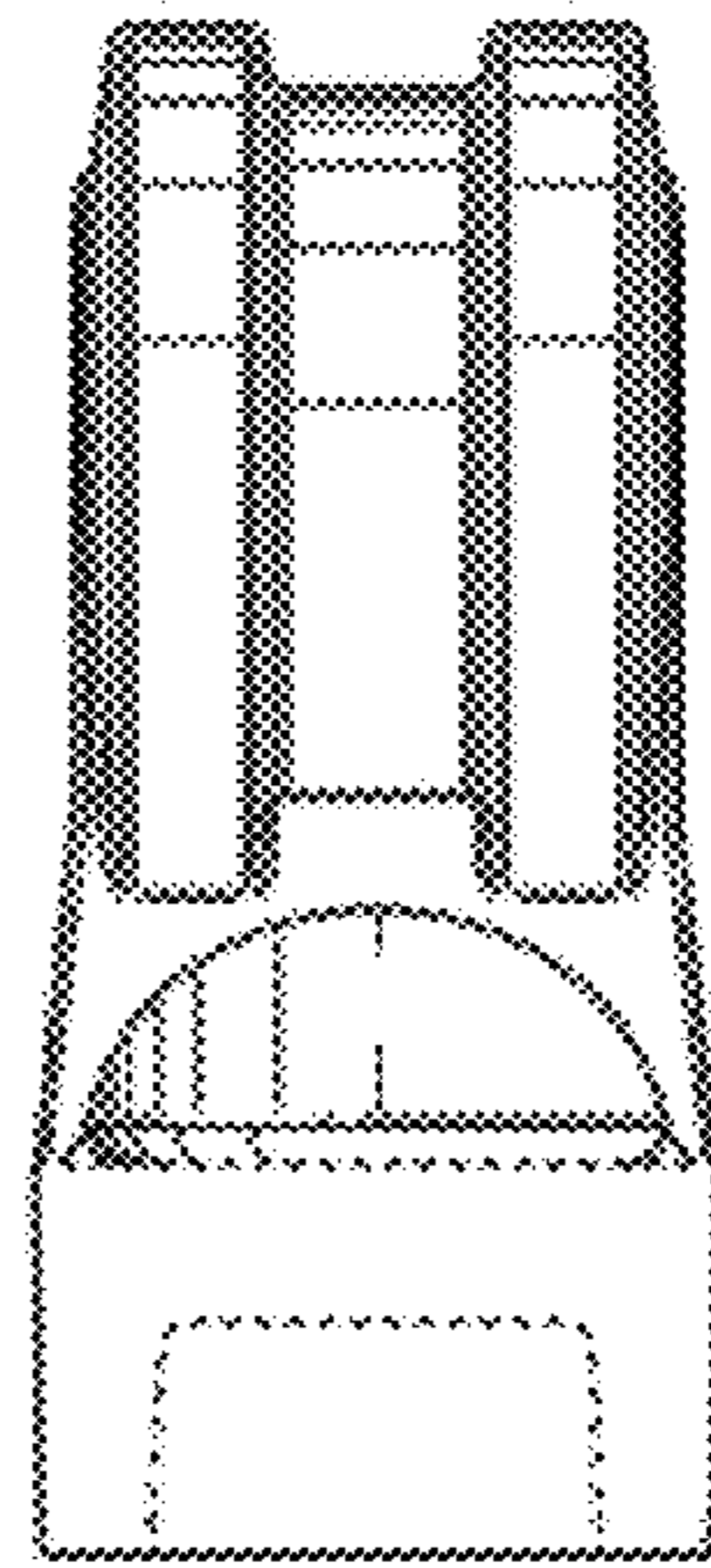
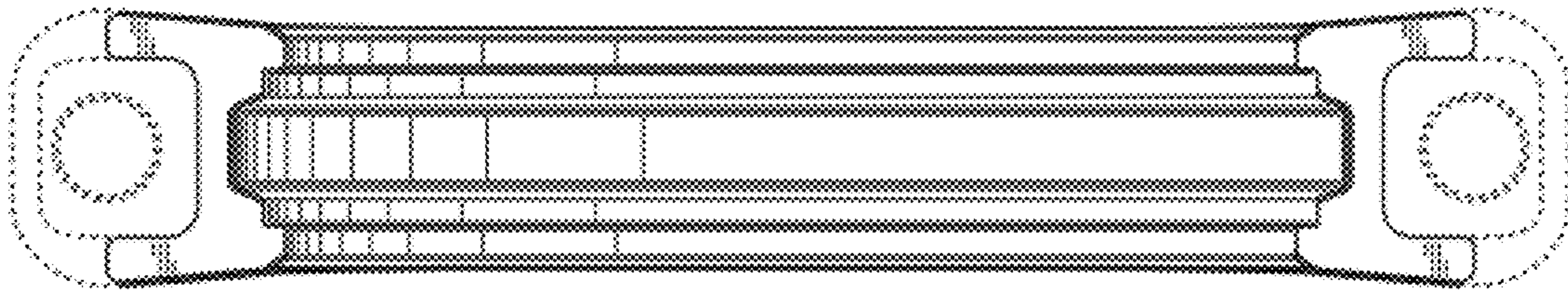
FIG. 1 is an isometric view of an embodiment of our design for a pipe coupling segment;  
 FIG. 2 is a front view of the design for the pipe coupling segment shown in FIG. 1, the rear view being identical;  
 FIG. 3 is a top view of the design for the pipe coupling segment shown in FIG. 1;  
 FIG. 4 is a bottom view of the design for the pipe coupling segment shown in FIG. 1; and,  
 FIG. 5 is a left side view of for the design for the pipe coupling segment shown in FIG. 1, the right side view being identical.  
 The broken lines in FIGS. 1-5 are for illustrative purposes only and form no part of the claimed design.

**1 Claim, 2 Drawing Sheets**





**FIG. 4**



**FIG. 5**