

US00D674059S

(12) **United States Design Patent**
Cuvo et al.

(10) **Patent No.:** **US D674,059 S**
(45) **Date of Patent:** **** Jan. 8, 2013**

(54) **PIPE COUPLING SEGMENT**
(75) Inventors: **Anthony J. Cuvo**, Coopersburg, PA (US); **Scott D. Madara**, Nazareth, PA (US); **Charles E. Wilk, Jr.**, Slatington, PA (US); **Douglas R. Dole**, Whitehouse Station, NJ (US)
(73) Assignee: **Victaulic Company**, Easton, PA (US)

D626,200 S 10/2010 Bowman et al.
D629,078 S 12/2010 Dole et al.
D629,079 S 12/2010 Dole et al.
D629,083 S 12/2010 Dole et al.
D636,469 S 4/2011 Dole et al.
D650,889 S 12/2011 van Walraven
D665,056 S * 8/2012 Cuvo et al. D23/262
D665,889 S * 8/2012 Dole et al. D23/262
8,267,432 B2 * 9/2012 Madara et al. 285/112
2004/0036291 A1 2/2004 Dole

(**) Term: **14 Years**
(21) Appl. No.: **29/427,882**
(22) Filed: **Jul. 24, 2012**

Related U.S. Application Data

(62) Division of application No. 29/403,603, filed on Oct. 7, 2011, now Pat. No. Des. 665,056.
(51) **LOC (9) Cl.** **23-01**
(52) **U.S. Cl.** **D23/262**
(58) **Field of Classification Search** D23/259-262;
D8/396; 239/428.5; 261/DIG. 22; 285/1,
285/112, 179, 340, 367, 404, 53, 915; 403/291,
403/300; 411/5, 10; 137/801
See application file for complete search history.

(56) **References Cited**

U.S. PATENT DOCUMENTS

D142,057 S 8/1945 Baxter
6,626,466 B1 9/2003 Dole
7,090,259 B2 8/2006 Dole
7,540,540 B2 6/2009 Kwon et al.
D616,533 S 5/2010 Bowman et al.
D616,968 S 6/2010 Bowman et al.
D618,315 S 6/2010 Bowman et al.
D625,784 S 10/2010 Bowman et al.
D625,788 S 10/2010 Madara et al.

OTHER PUBLICATIONS

Chionchio, John A.; Pipe Coupling Segment; U. S. Appl. No. 29/427,886, filed Jul. 25, 2012.

* cited by examiner

Primary Examiner — Eric Goodman

(74) *Attorney, Agent, or Firm* — Ballard Spahr LLP

(57) **CLAIM**

We claim the ornamental design for a pipe coupling segment, as shown and described.

DESCRIPTION

FIG. 1 is an isometric view of an embodiment of our design for a pipe coupling segment;
FIG. 2 is a front view of the design for the pipe coupling segment shown in FIG. 1, the rear view being identical;
FIG. 3 is a top view of the design for the pipe coupling segment shown in FIG. 1;
FIG. 4 is a bottom view of the design for the pipe coupling segment shown in FIG. 1; and,
FIG. 5 is a left side view of for the design for the pipe coupling segment shown in FIG. 1, the right side view being identical. The broken lines in FIGS. 1-5 are for illustrative purposes only and form no part of the claimed design.

1 Claim, 2 Drawing Sheets

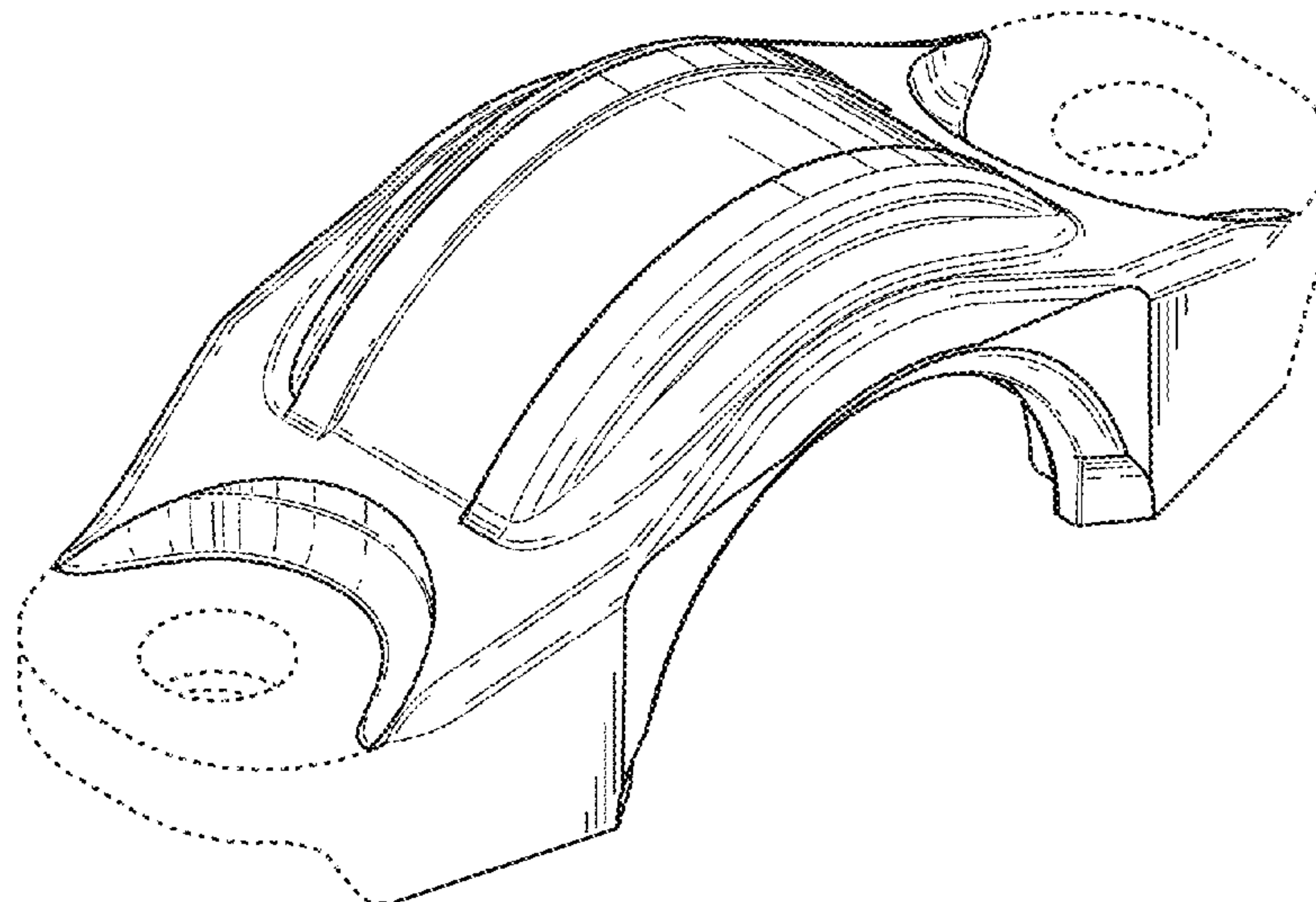


FIG.1

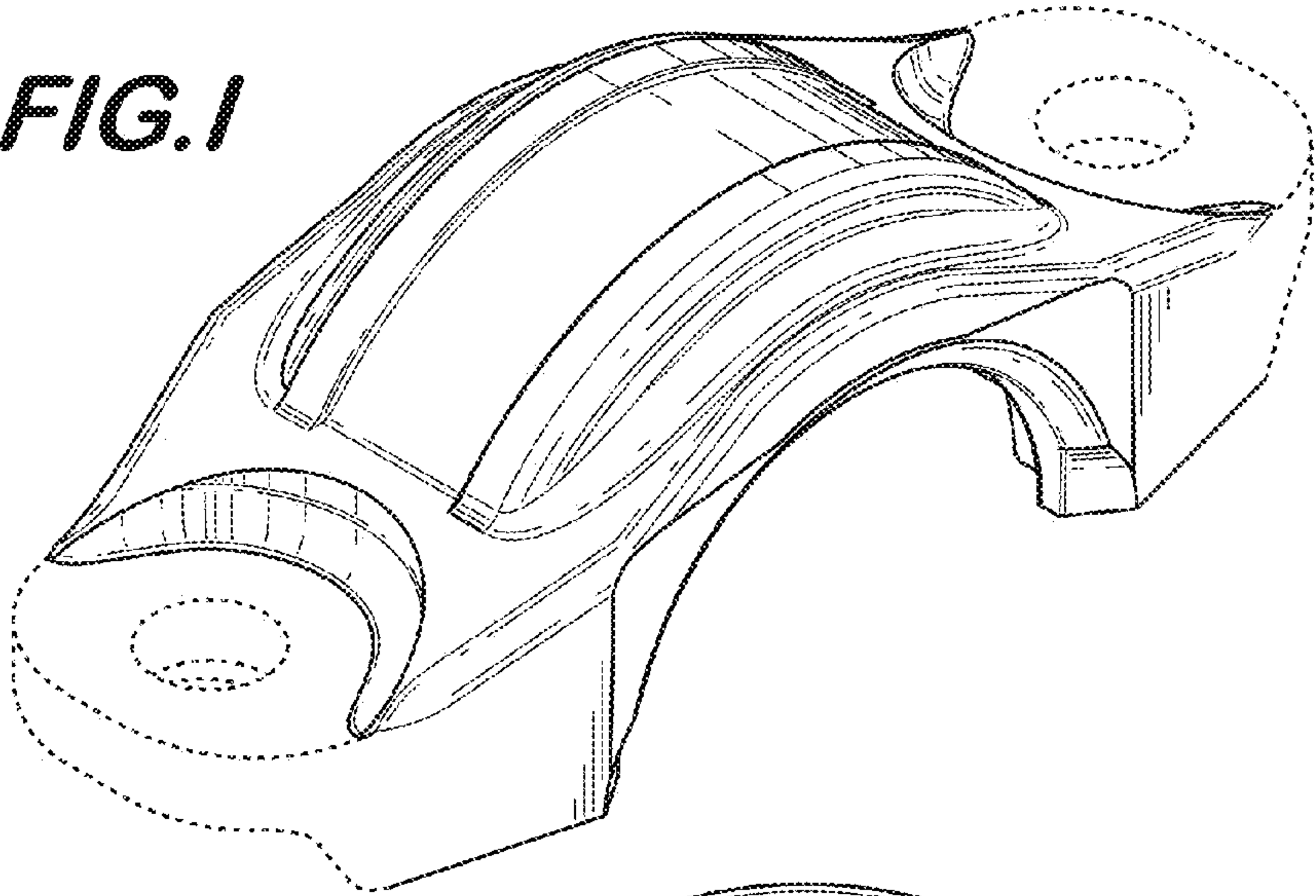


FIG.2

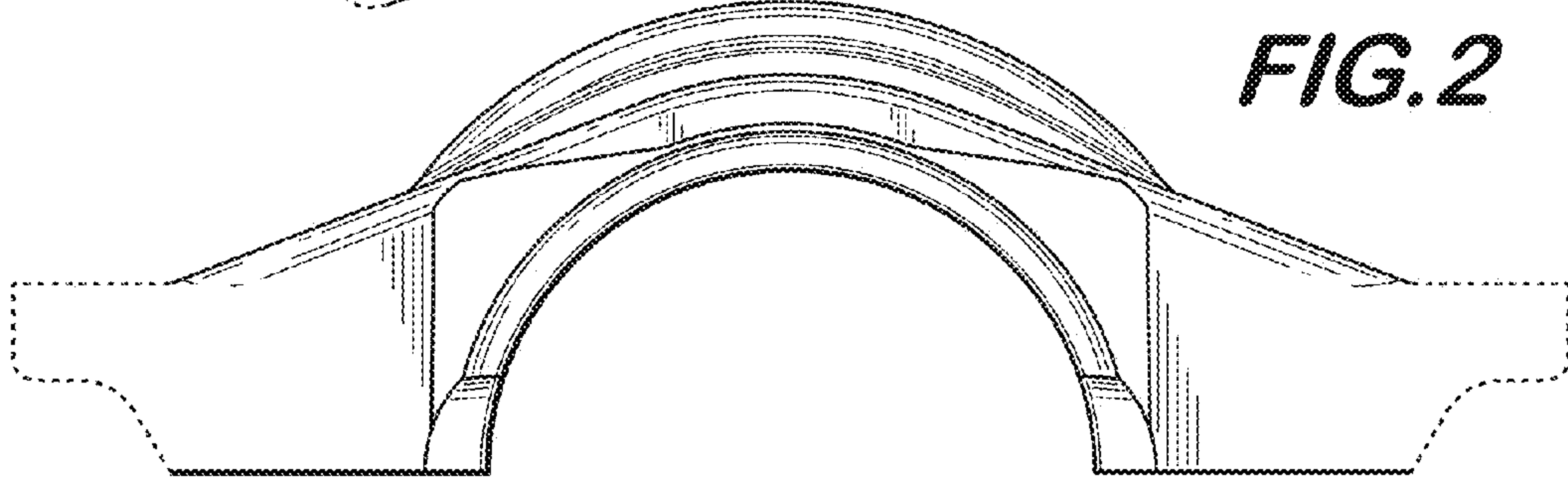


FIG.3

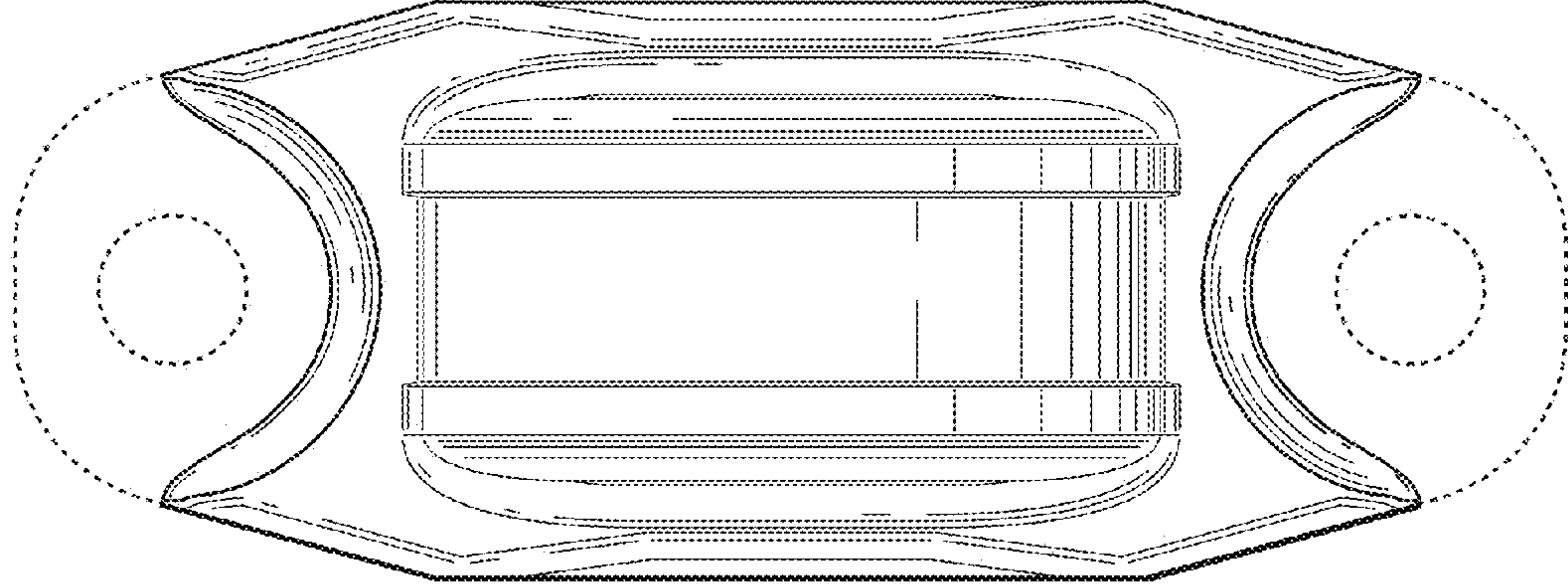


FIG. 4

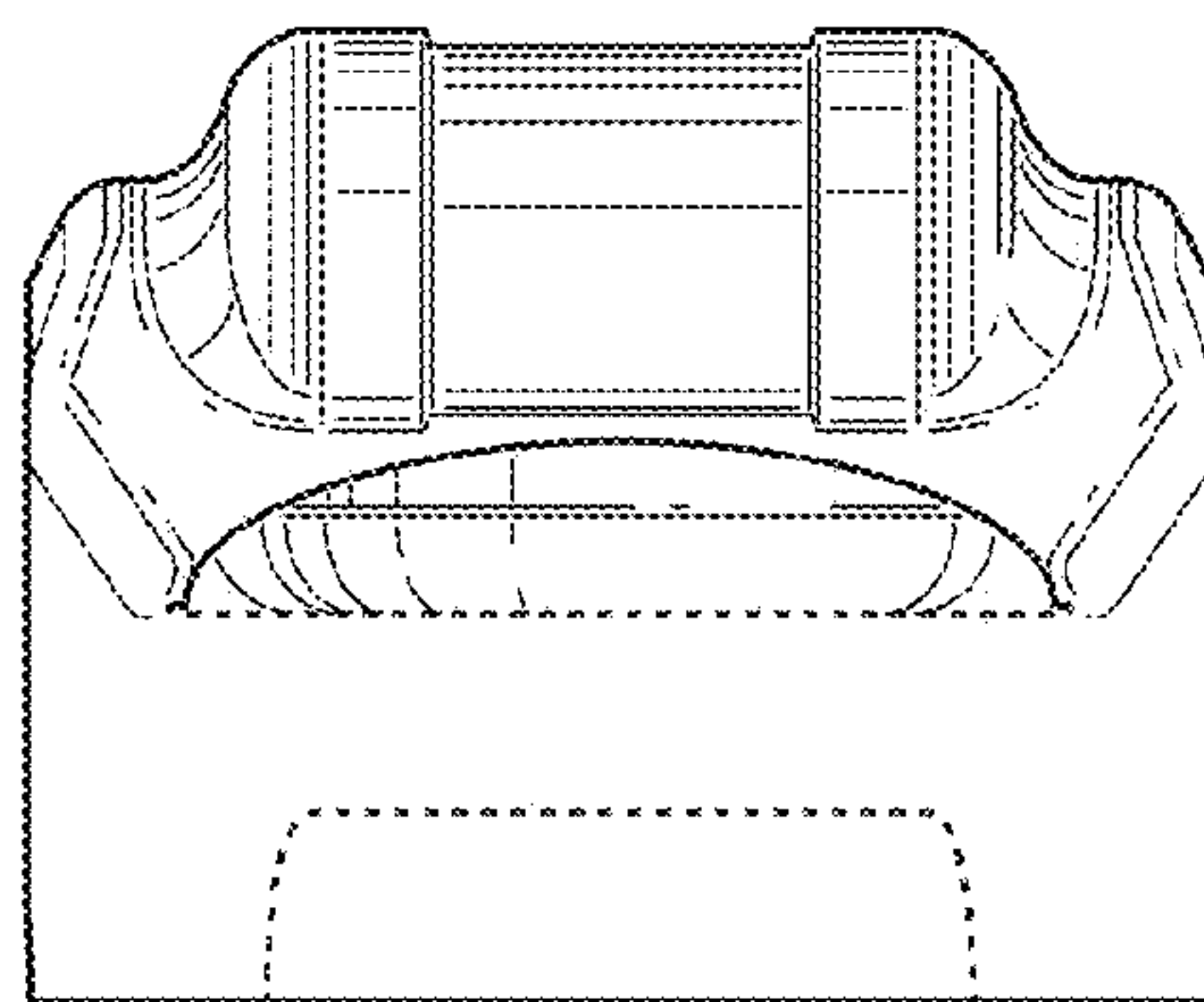
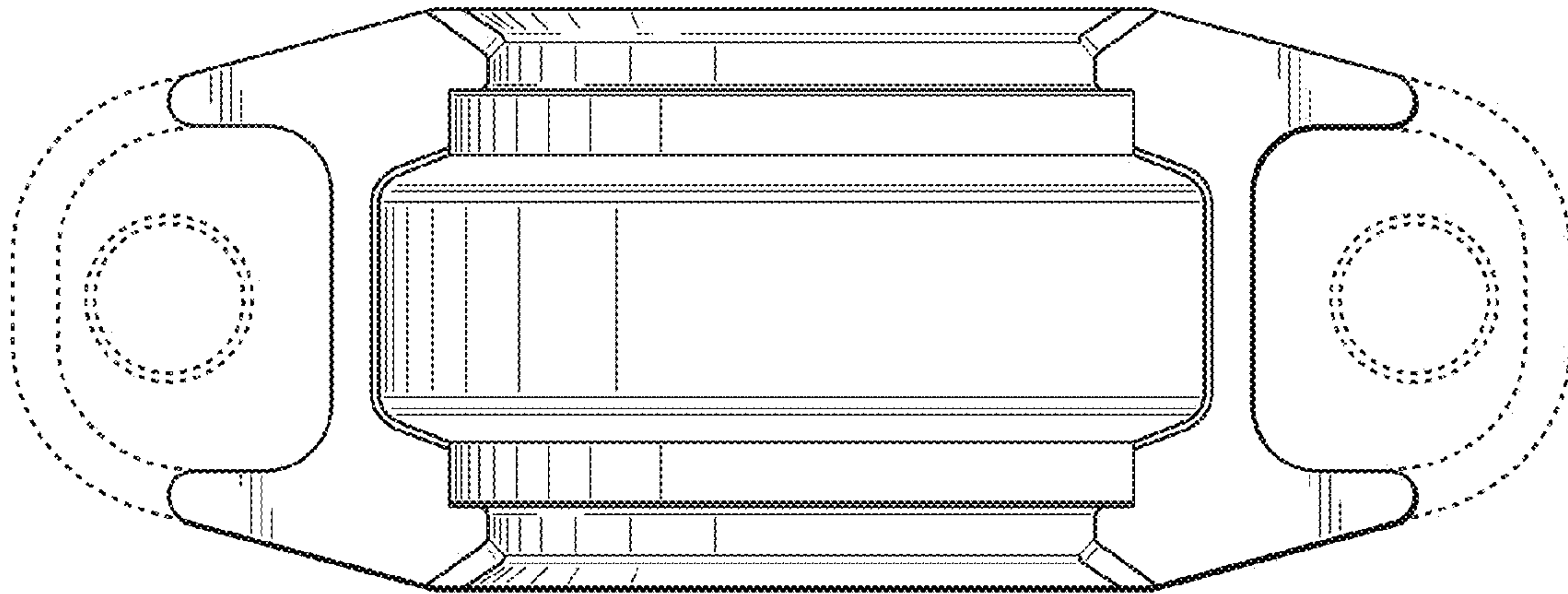


FIG. 5