



US00D674057S

(12) **United States Design Patent**
Lord

(10) **Patent No.:** **US D674,057 S**
(45) **Date of Patent:** **** Jan. 8, 2013**

(54) **FAUCET HANDLE**

(75) Inventor: **Judd Lord**, Fishers, IN (US)

(73) Assignee: **Masco Corporation of Indiana**,
Indianapolis, IN (US)

(**) Term: **14 Years**

(21) Appl. No.: **29/418,135**

(22) Filed: **Apr. 12, 2012**

(51) **LOC (9) Cl.** **23-01**

(52) **U.S. Cl.** **D23/252**

(58) **Field of Classification Search** D23/238-243,
D23/250-254, 249, 245; 4/675-678; 137/801
See application file for complete search history.

(56) **References Cited**

U.S. PATENT DOCUMENTS

D410,737 S * 6/1999 Gottwald D23/250
D541,906 S * 5/2007 Qing D23/238

D602,574 S * 10/2009 Downey D23/252
D646,361 S * 10/2011 Flowers et al. D23/250
D664,242 S * 7/2012 Gao et al. D23/252

* cited by examiner

Primary Examiner — Robert Delehanty

(74) *Attorney, Agent, or Firm* — Edgar A. Zarins; Nirav D. Parikh; Lora J. Graentzdoerffer

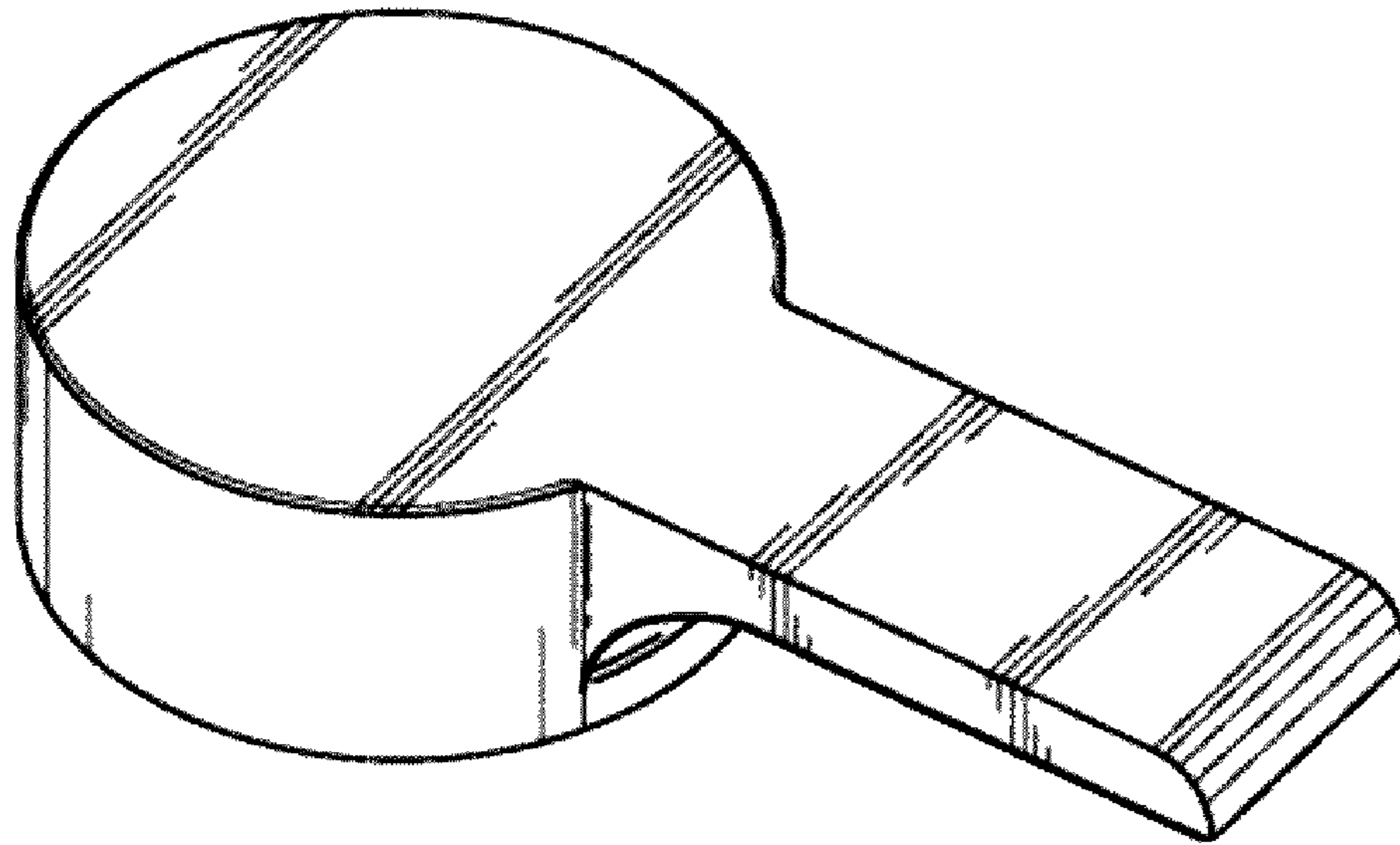
(57) **CLAIM**

The ornamental design for a faucet handle, as shown and described.

DESCRIPTION

FIG. 1 is a perspective view of a faucet handle showing my new design;
FIG. 2 is a top plan view thereof;
FIG. 3 is a rear view thereof;
FIG. 4 is a front view thereof;
FIG. 5 is a first side view thereof, the opposite side being a mirror image of the side shown; and,
FIG. 6 is a bottom view thereof.

1 Claim, 1 Drawing Sheet



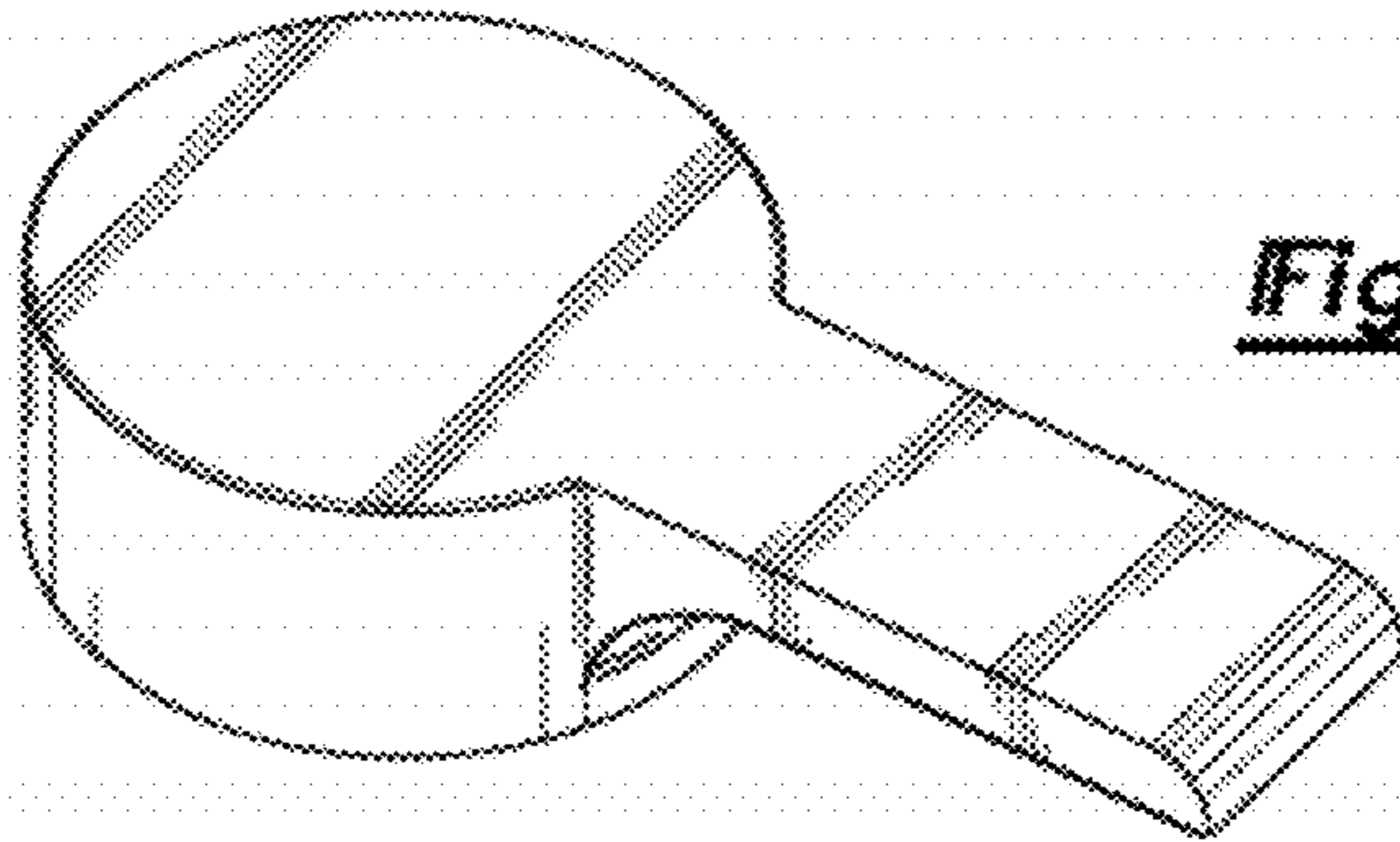


Fig-1

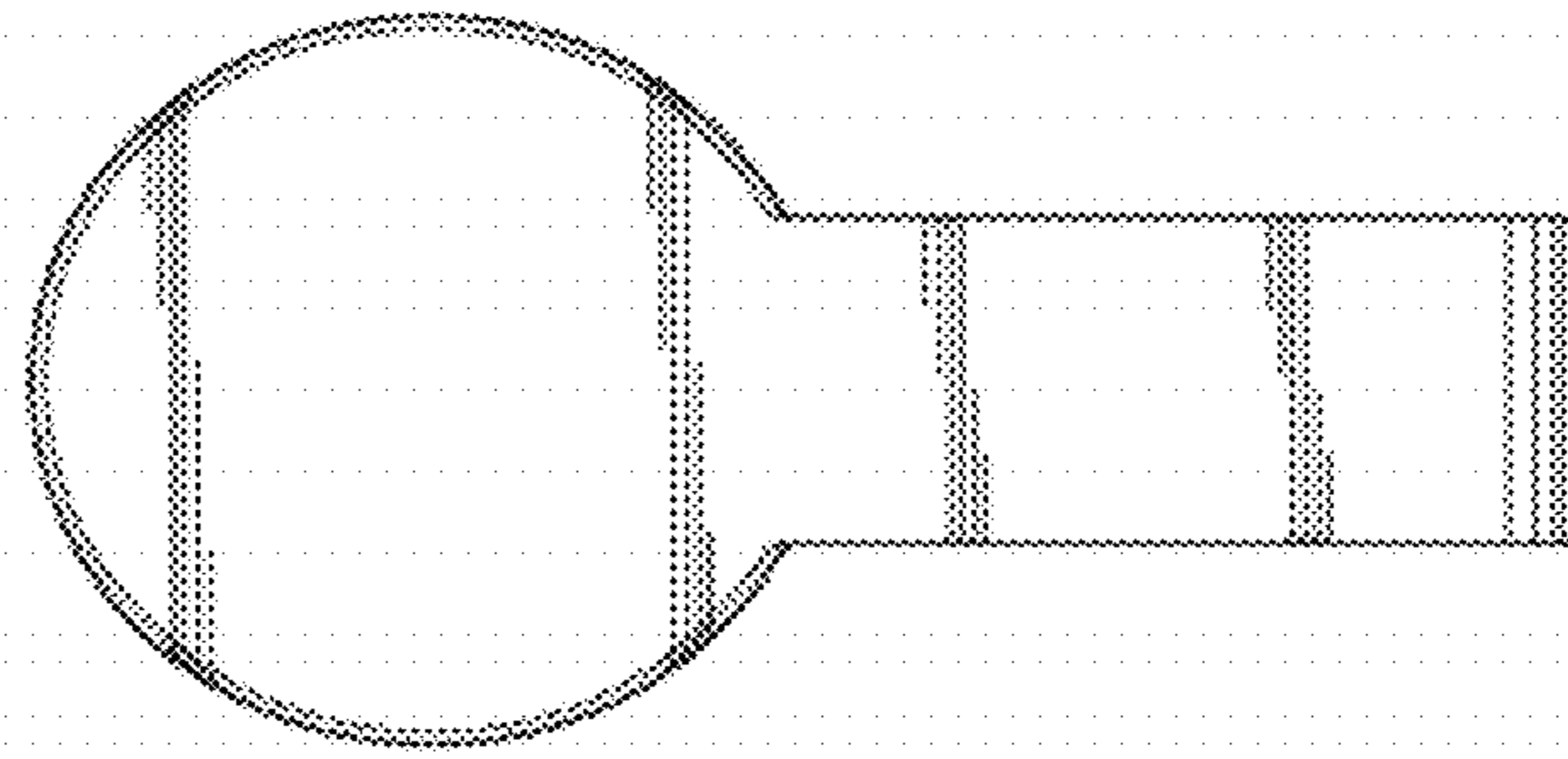


Fig-2

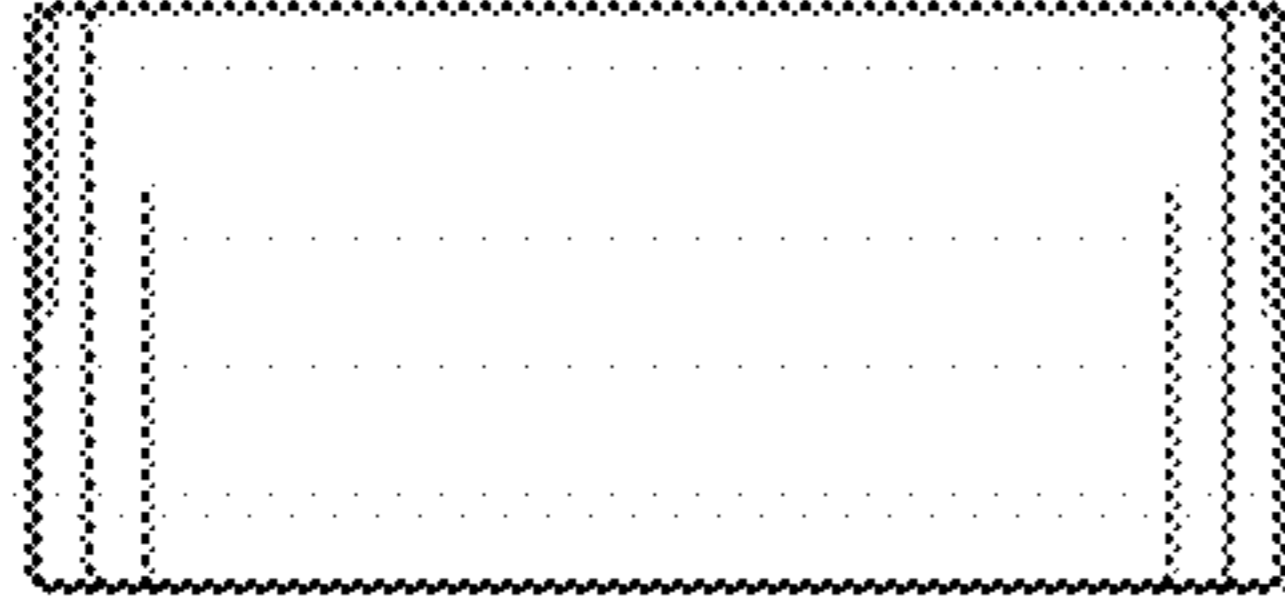


Fig-3

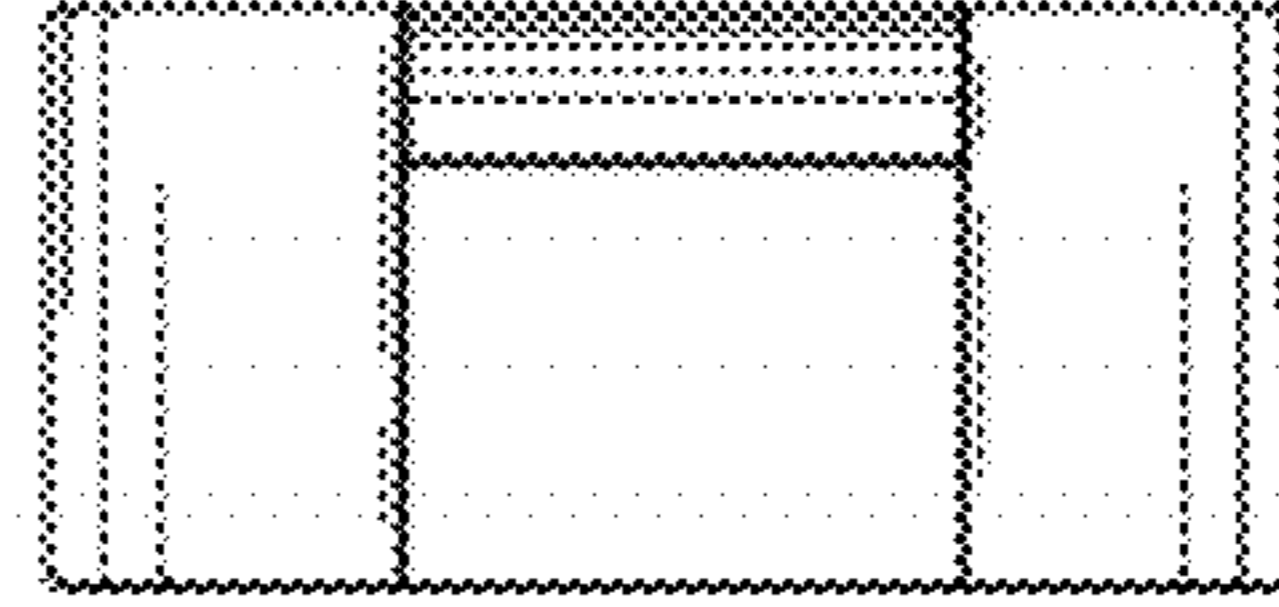


Fig-4

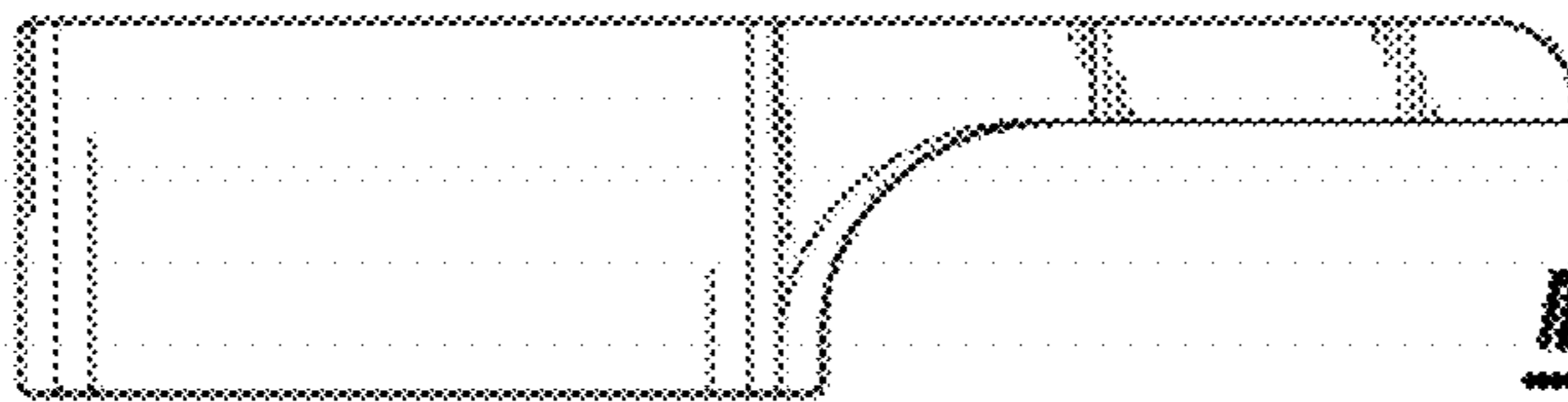


Fig-5

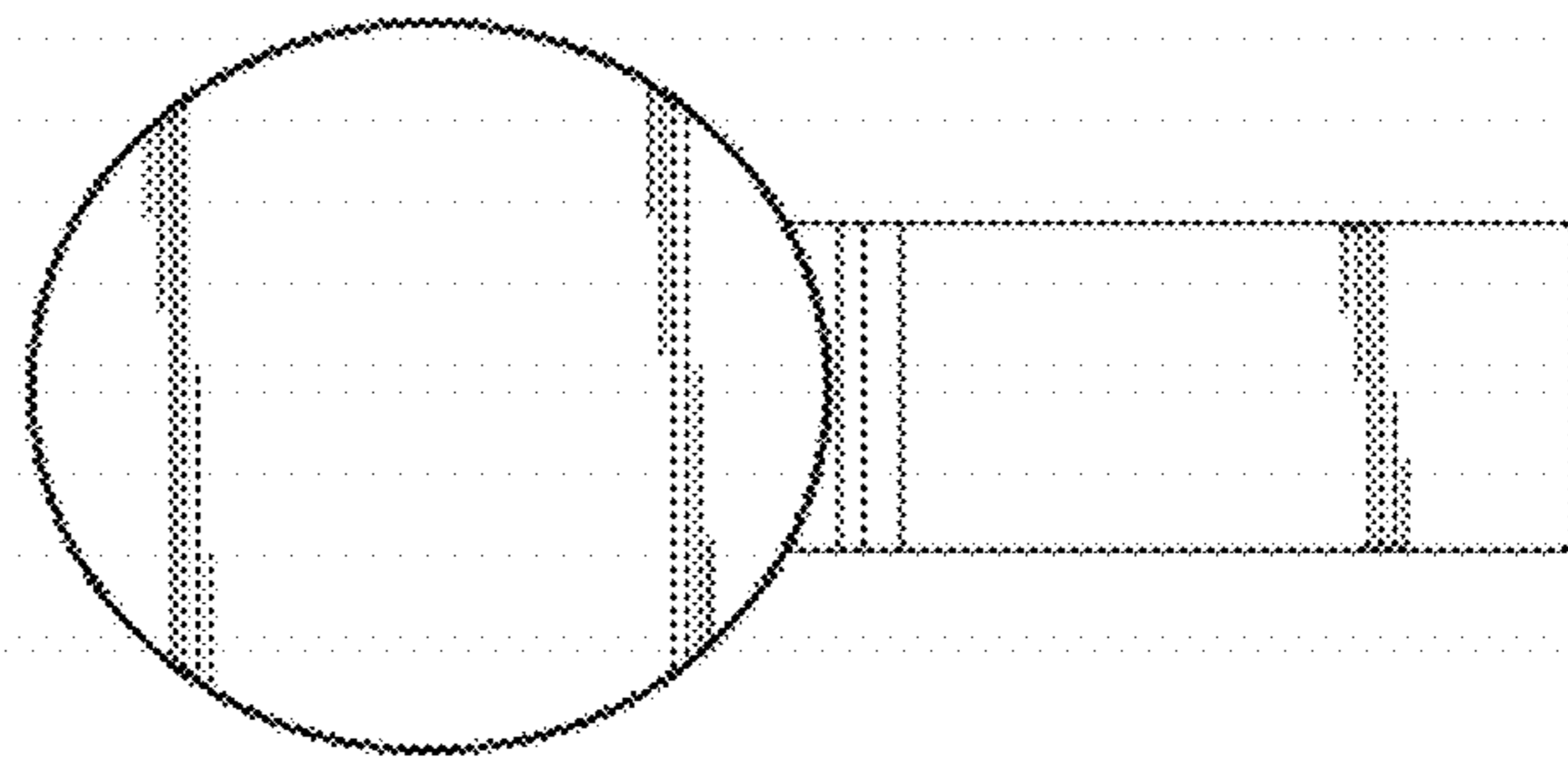


Fig-6