



US00D674055S

(12) **United States Design Patent**  
**Lord**

(10) **Patent No.:** **US D674,055 S**  
(45) **Date of Patent:** **\*\* Jan. 8, 2013**

(54) **FAUCET HANDLE**

(75) Inventor: **Judd Lord**, Fishers, IN (US)

(73) Assignee: **Masco Corporation of Indiana**,  
Indianapolis, IN (US)

(\*\*) Term: **14 Years**

(21) Appl. No.: **29/417,885**

(22) Filed: **Apr. 10, 2012**

(51) **LOC (9) Cl.** ..... **23-01**

(52) **U.S. Cl.** ..... **D23/252**

(58) **Field of Classification Search** ..... D23/238-243,  
D23/250, 252, 254, 249, 245; 4/675-678;  
137/801

See application file for complete search history.

(56) **References Cited**

**U.S. PATENT DOCUMENTS**

D410,737 S \* 6/1999 Gottwald ..... D23/250  
D460,532 S \* 7/2002 Marcichow et al. .... D23/252

D646,361 S \* 10/2011 Flowers et al. .... D23/250

\* cited by examiner

*Primary Examiner* — Robert Delehanty

(74) *Attorney, Agent, or Firm* — Edgar A. Zarins; Nirav D. Parikh; Lora J. Graentzdoerffer

(57) **CLAIM**

The ornamental design for a faucet handle, as shown and described.

**DESCRIPTION**

FIG. 1 is a perspective view of a faucet handle showing my new design;

FIG. 2 is a top plan view thereof;

FIG. 3 is a left side view thereof;

FIG. 4 is a right side view thereof;

FIG. 5 is a front view thereof;

FIG. 6 is a rear view thereof; and,

FIG. 7 is a bottom view thereof.

The broken lines shown in the drawings are included for the purpose of illustrating a portion of the faucet handle that forms no part of the claimed design.

**1 Claim, 1 Drawing Sheet**

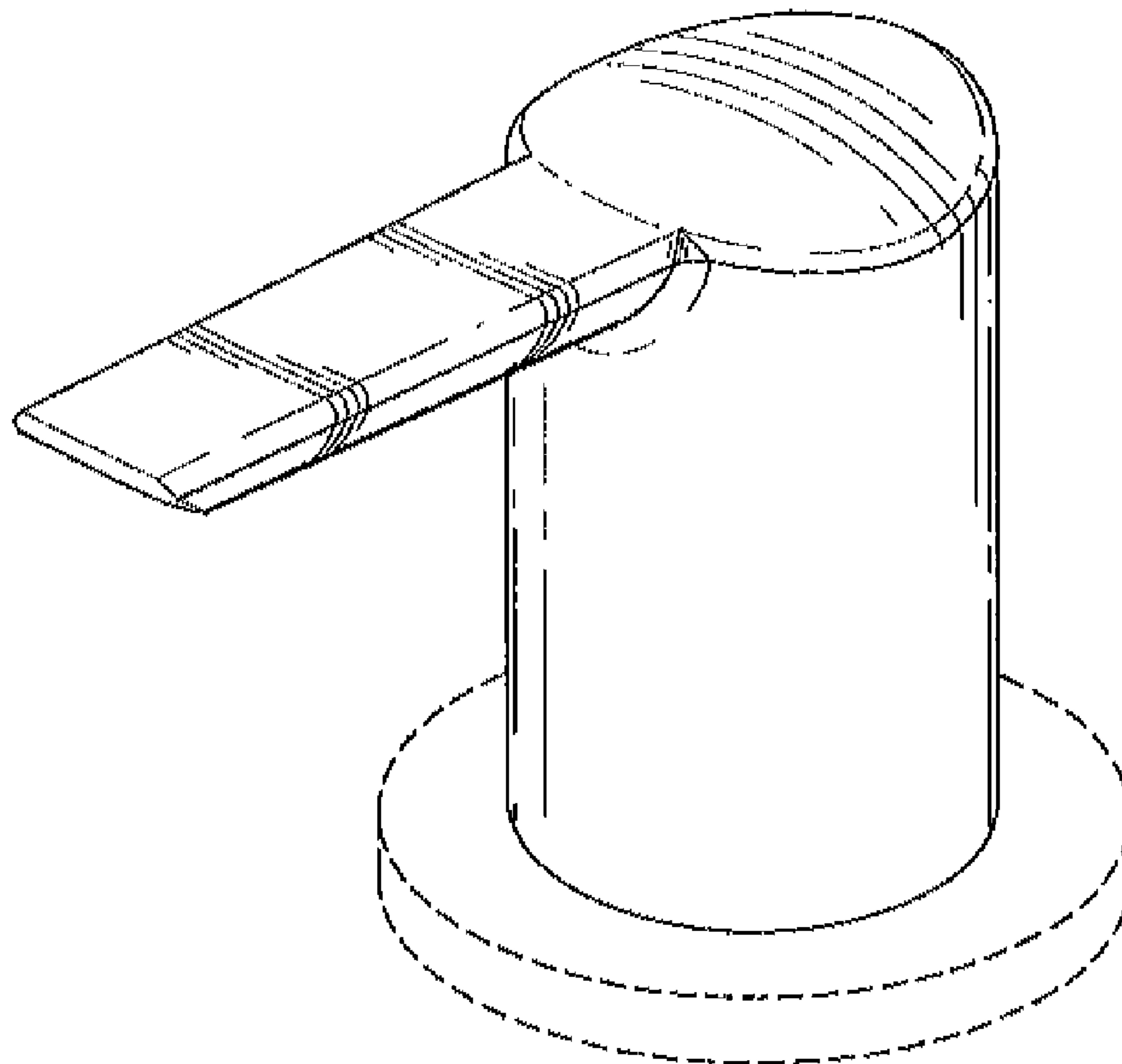


Fig-1

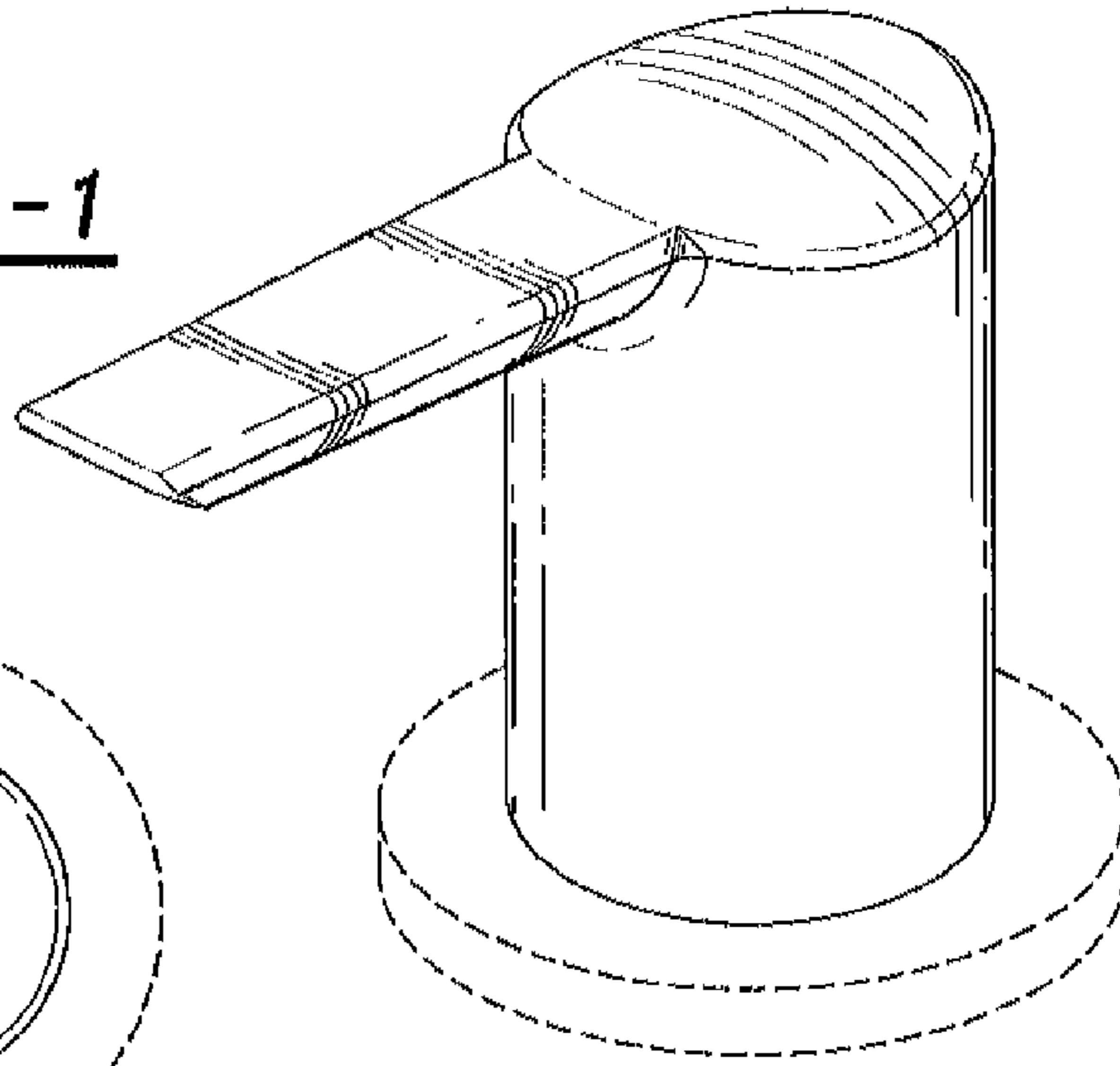


Fig-2

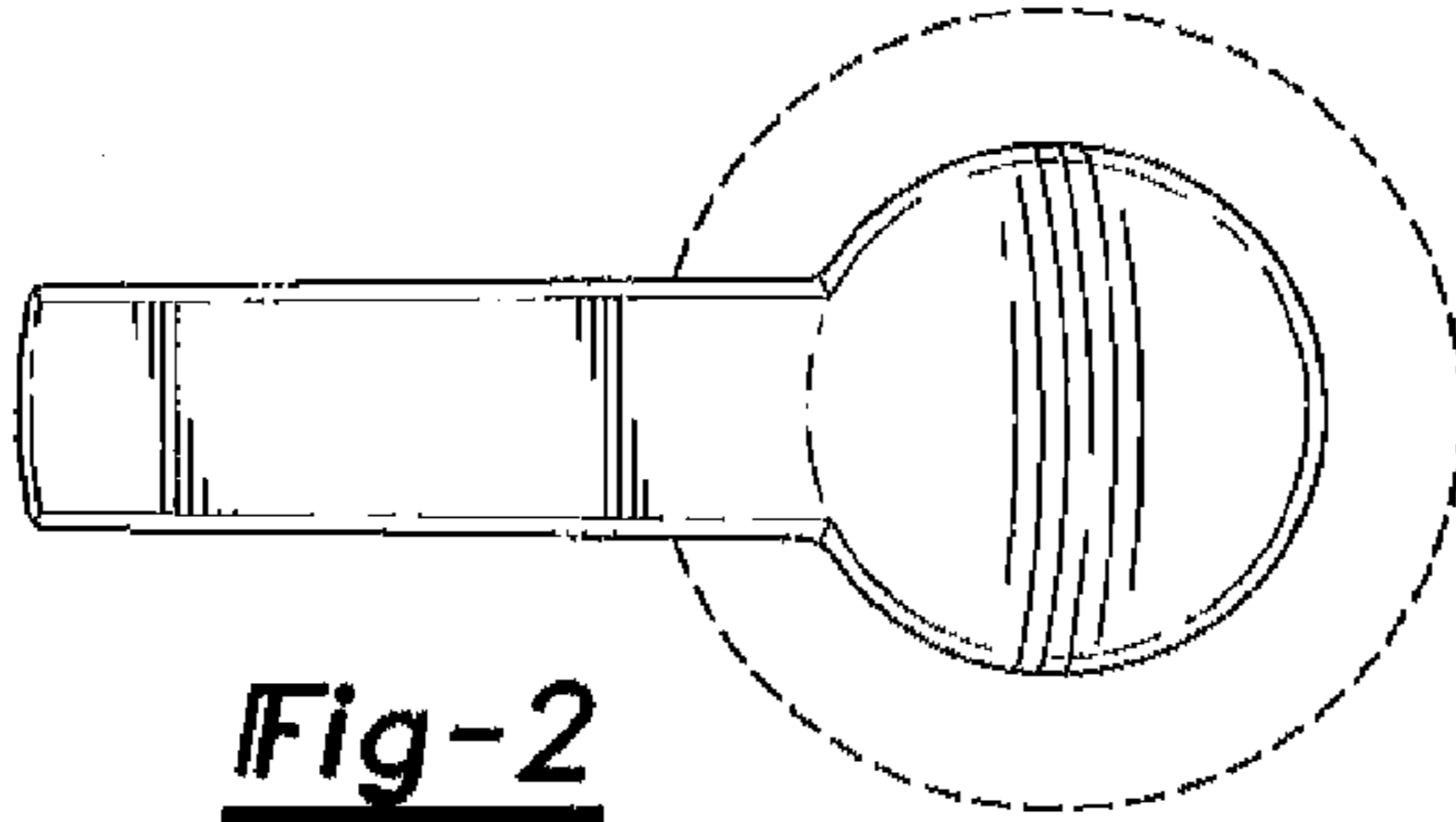


Fig-3

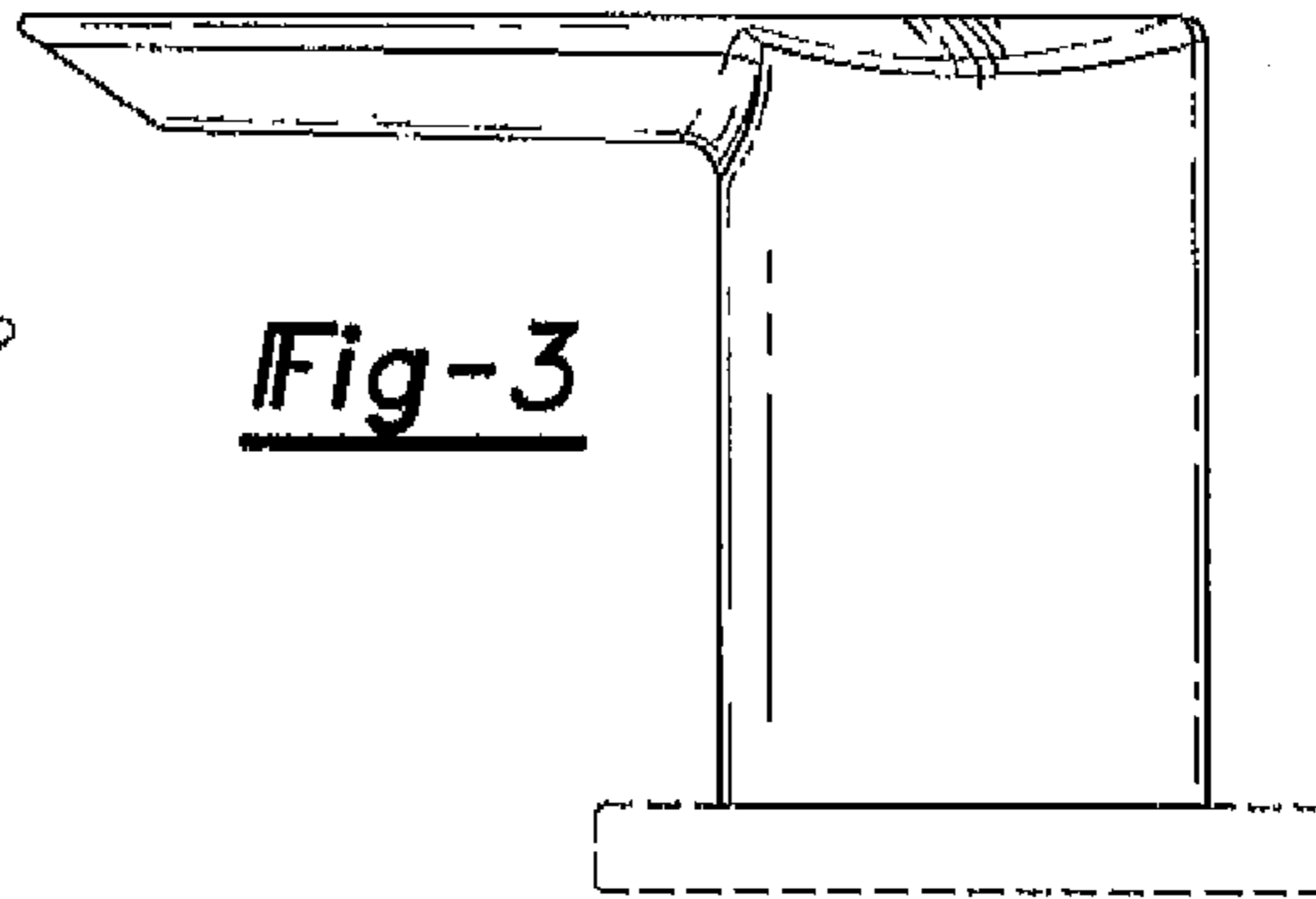


Fig-4

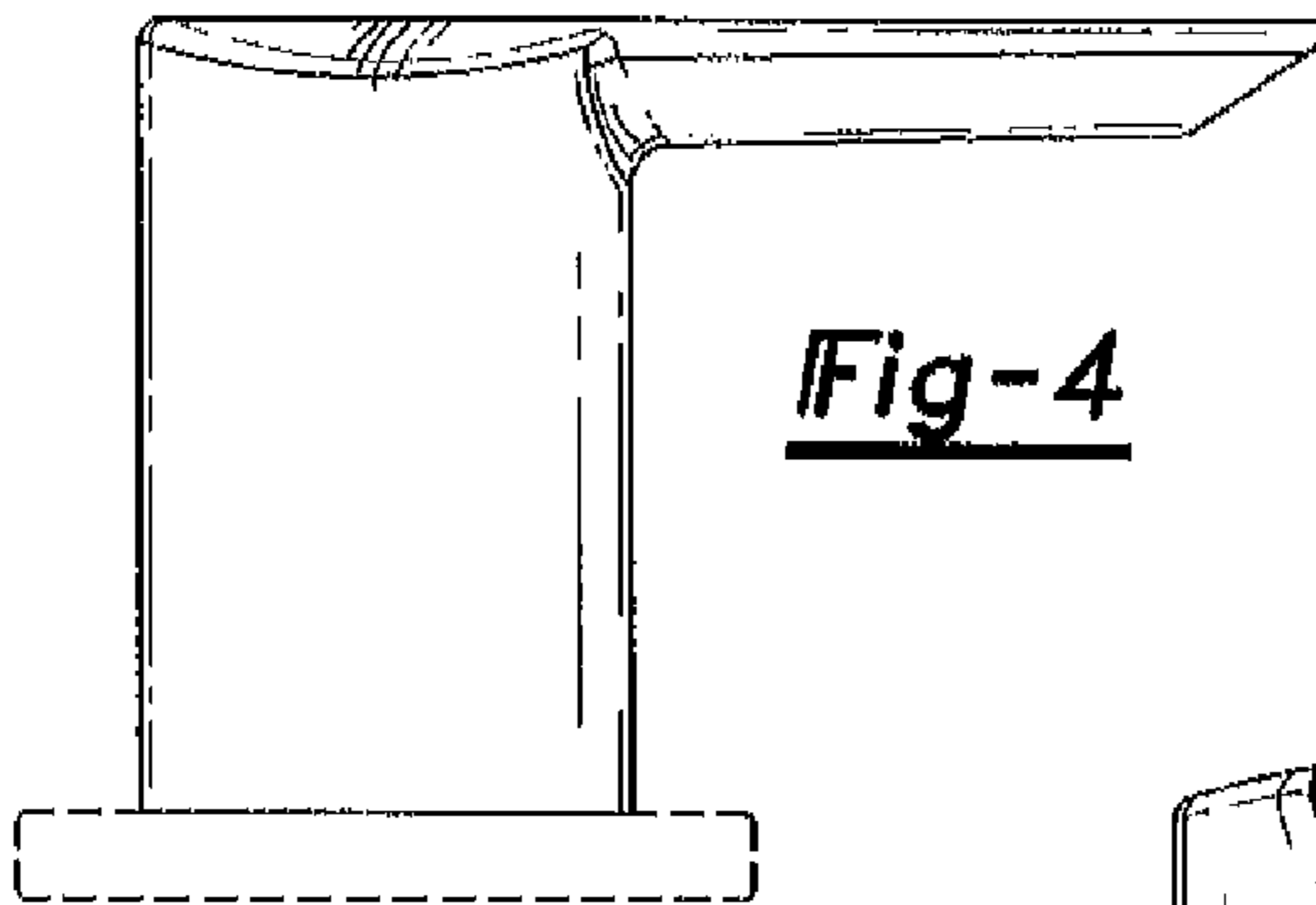


Fig-5

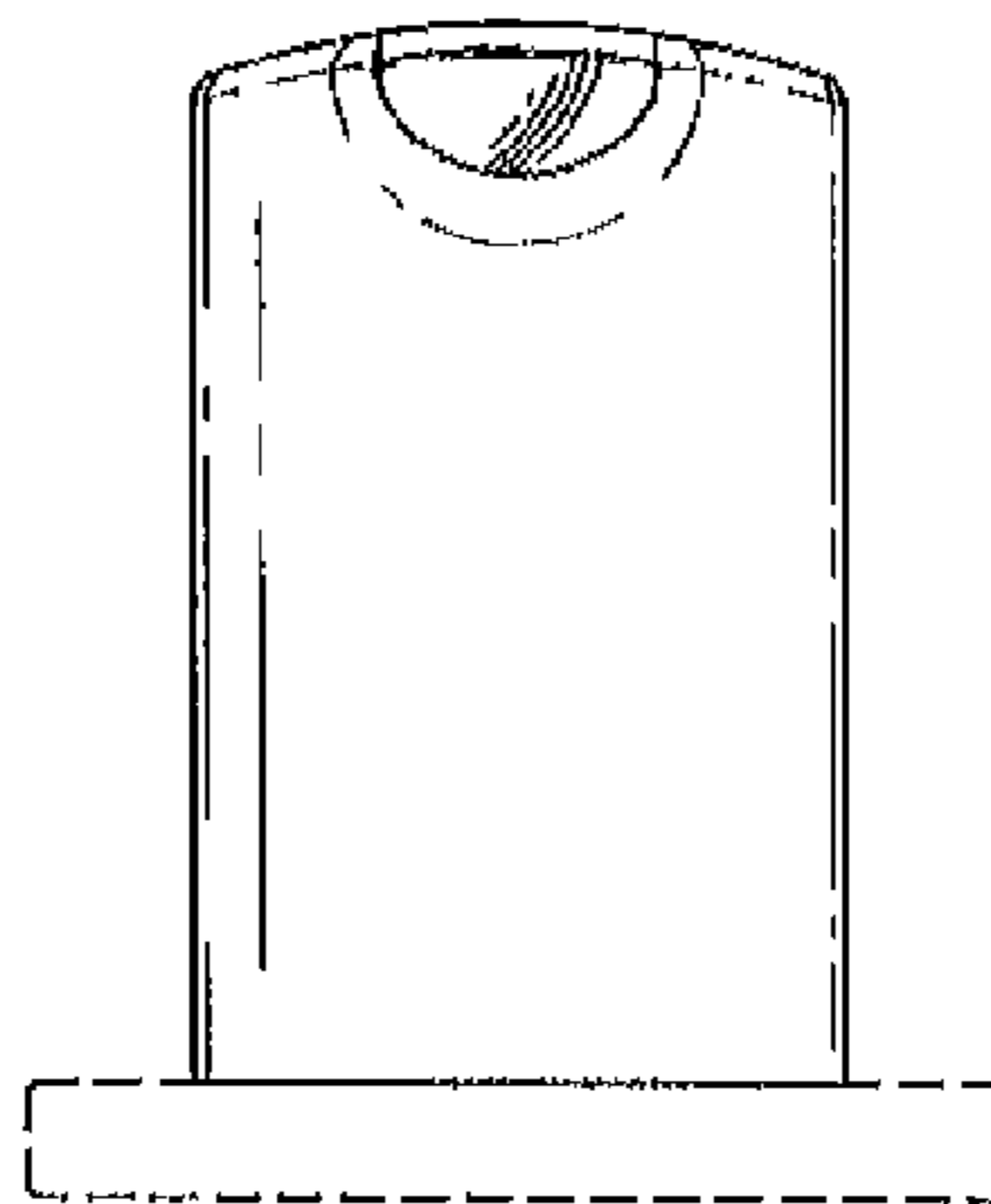


Fig-6

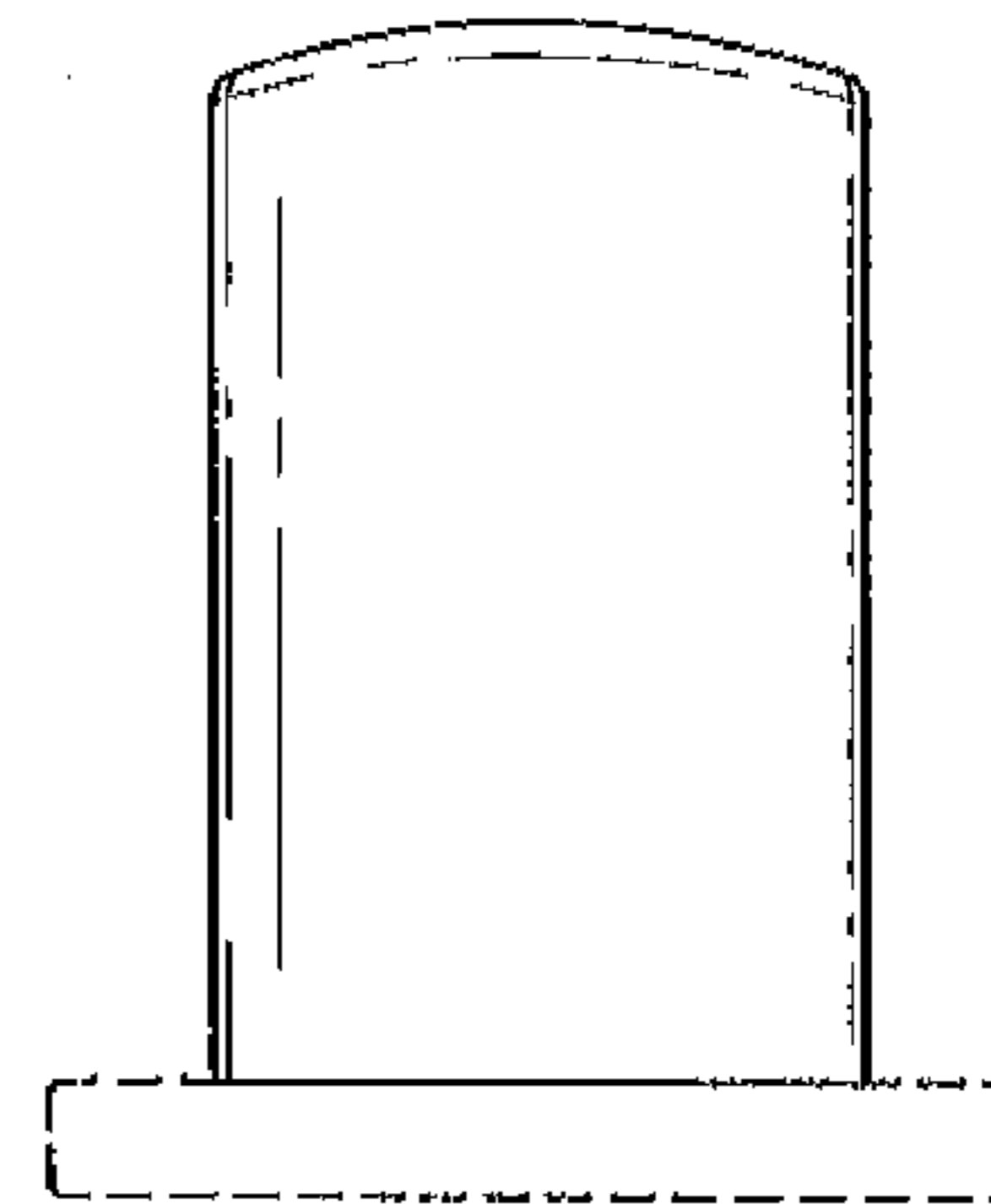


Fig-7

