



US00D674053S

(12) **United States Design Patent**  
**Kwok**

(10) **Patent No.:** **US D674,053 S**

(45) **Date of Patent:** **\*\* Jan. 8, 2013**

(54) **FAUCET HANDLE**

D580,018 S \* 11/2008 Williams ..... D23/250  
D620,559 S \* 7/2010 Romero ..... D23/238

(75) Inventor: **Celine Kwok**, Indianapolis, IN (US)

\* cited by examiner

(73) Assignee: **Masco Corporation of Indiana**,  
Indianapolis, IN (US)

*Primary Examiner* — Robert Delehanty

(74) *Attorney, Agent, or Firm* — Edgar A. Zarins; Nirav D. Parikh; Lora J. Graentzdoerffer

(\*\*) Term: **14 Years**

(21) Appl. No.: **29/417,844**

(57) **CLAIM**

The ornamental design for a faucet handle, as shown and described.

(22) Filed: **Apr. 10, 2012**

(51) **LOC (9) Cl.** ..... **23-01**

(52) **U.S. Cl.** ..... **D23/252**

(58) **Field of Classification Search** ..... D23/238–243,  
D23/250, 252, 249, 245; 4/675–678; 137/801  
See application file for complete search history.

**DESCRIPTION**

FIG. 1 is a perspective view of a faucet handle showing my new design;

FIG. 2 is a front elevational view thereof;

FIG. 3 is a first side view thereof;

FIG. 4 is a second side view thereof;

FIG. 5 is a first end view thereof; and,

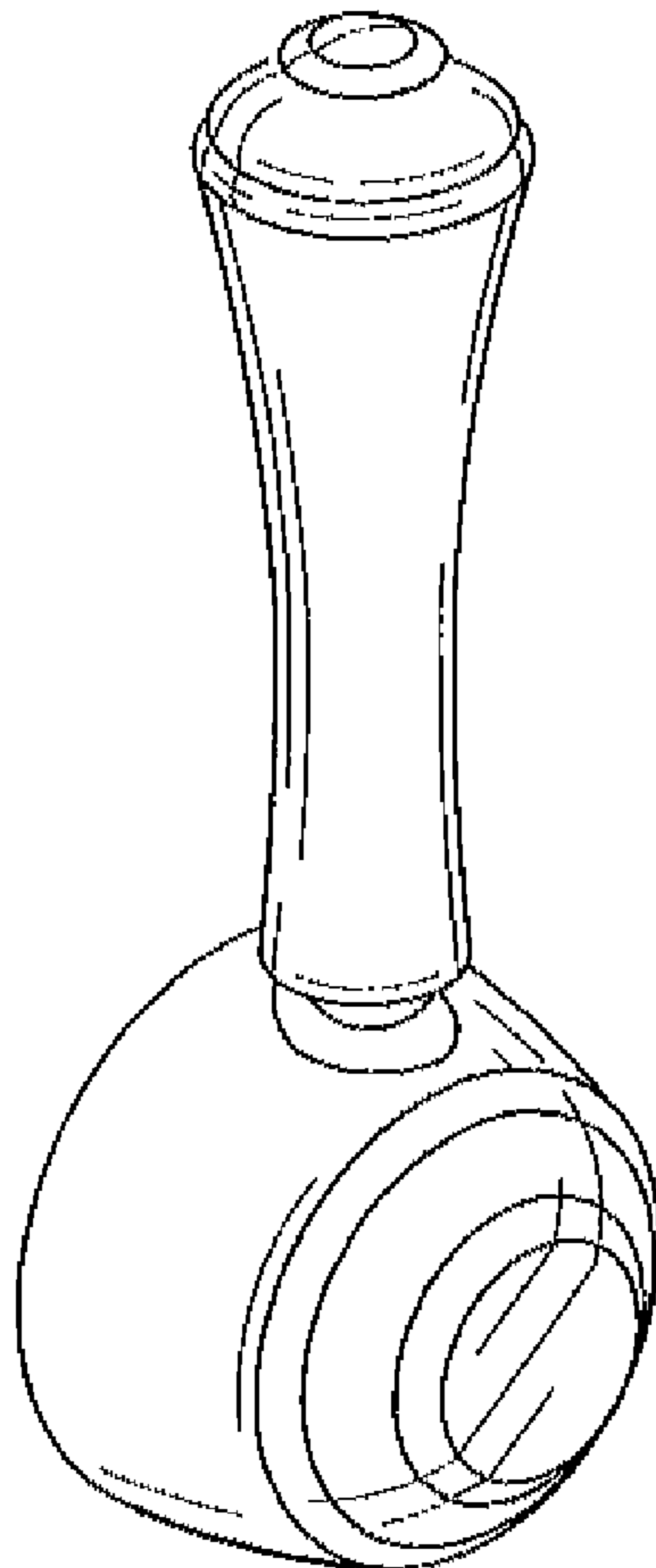
FIG. 6 is a second end view thereof.

(56) **References Cited**

U.S. PATENT DOCUMENTS

D468,400 S \* 1/2003 Panis et al. .... D23/238  
D522,096 S \* 5/2006 Fritz ..... D23/252

**1 Claim, 1 Drawing Sheet**



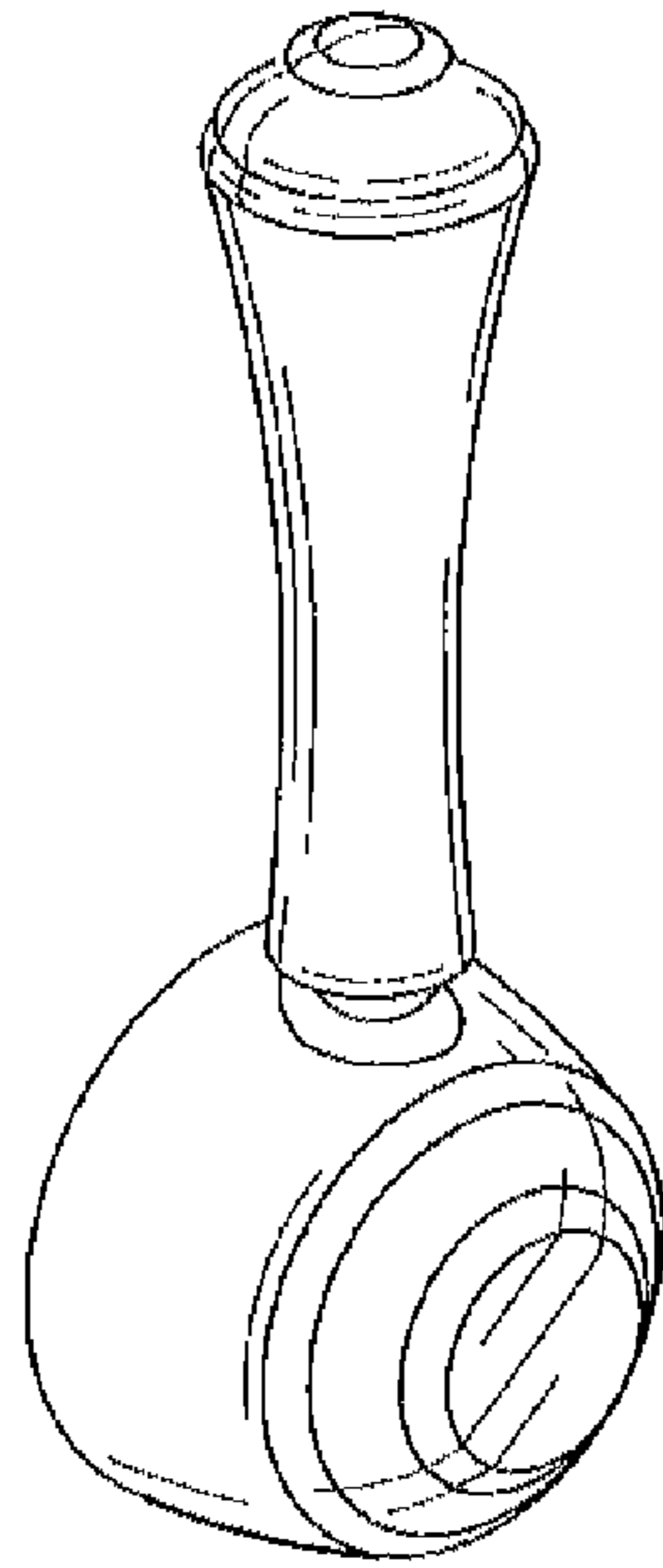


Fig-1

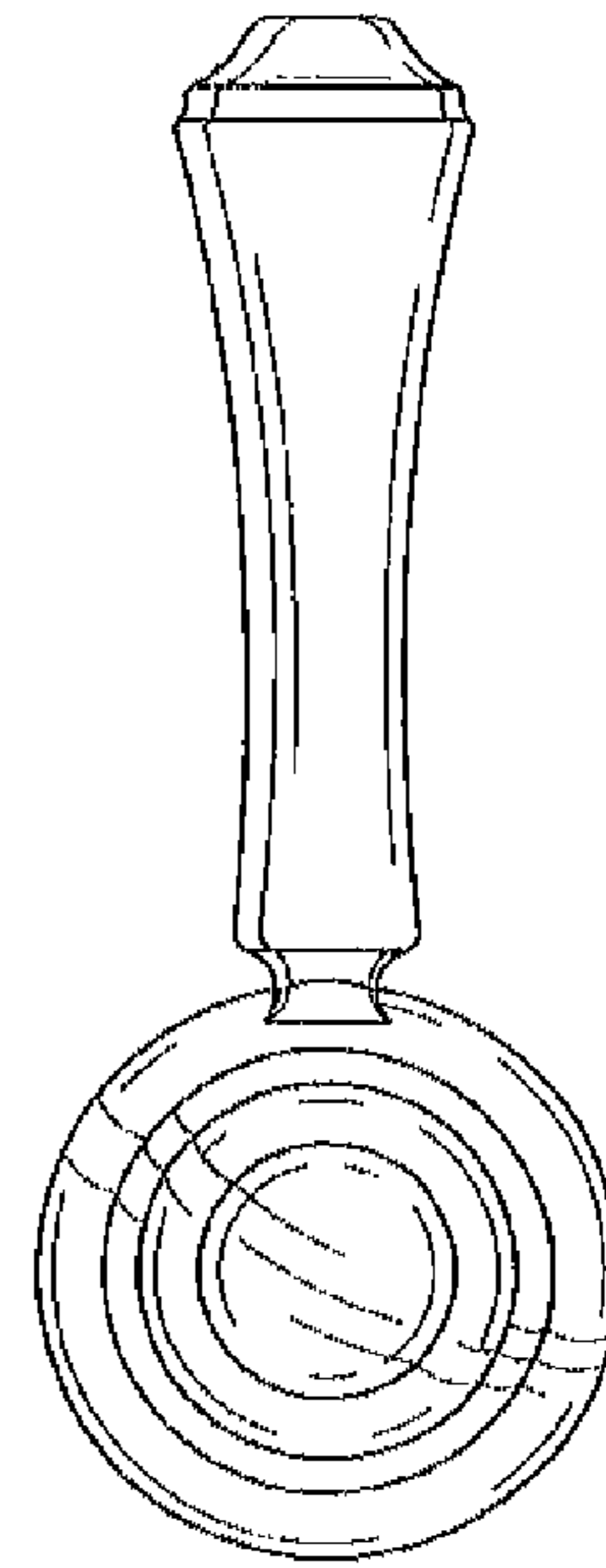


Fig-2

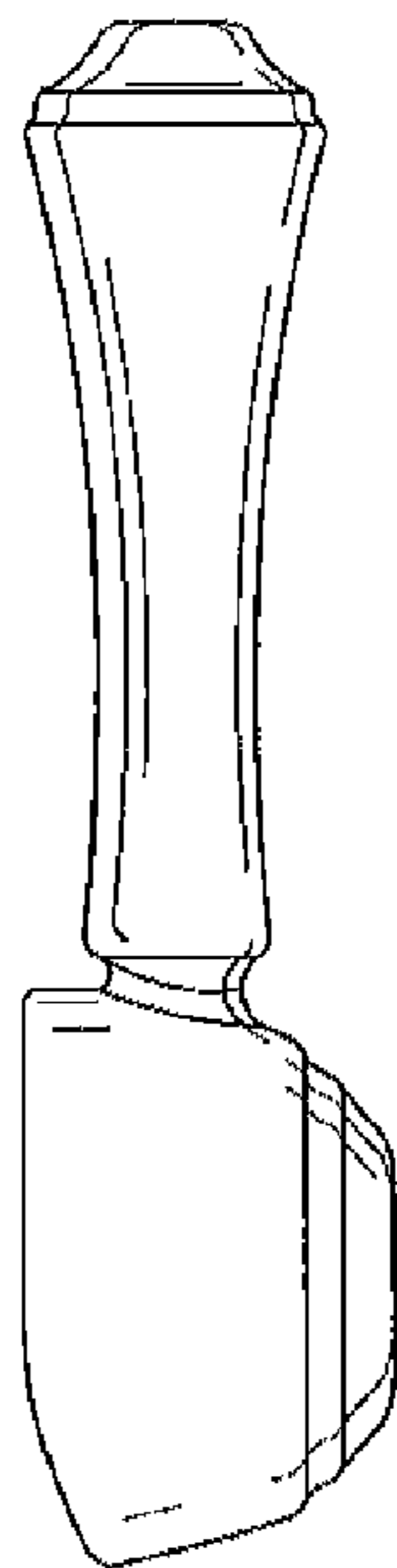


Fig-3

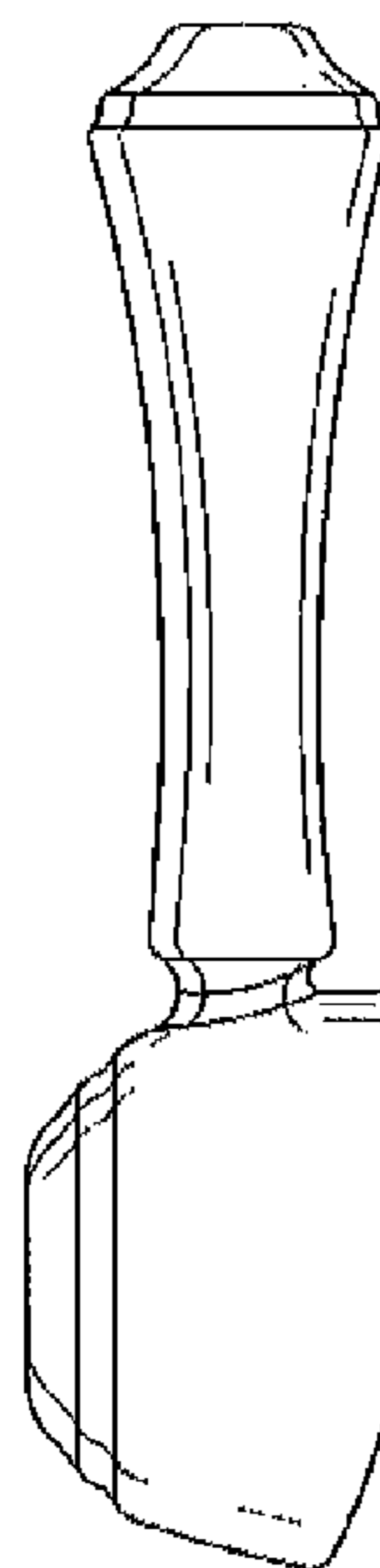


Fig-4

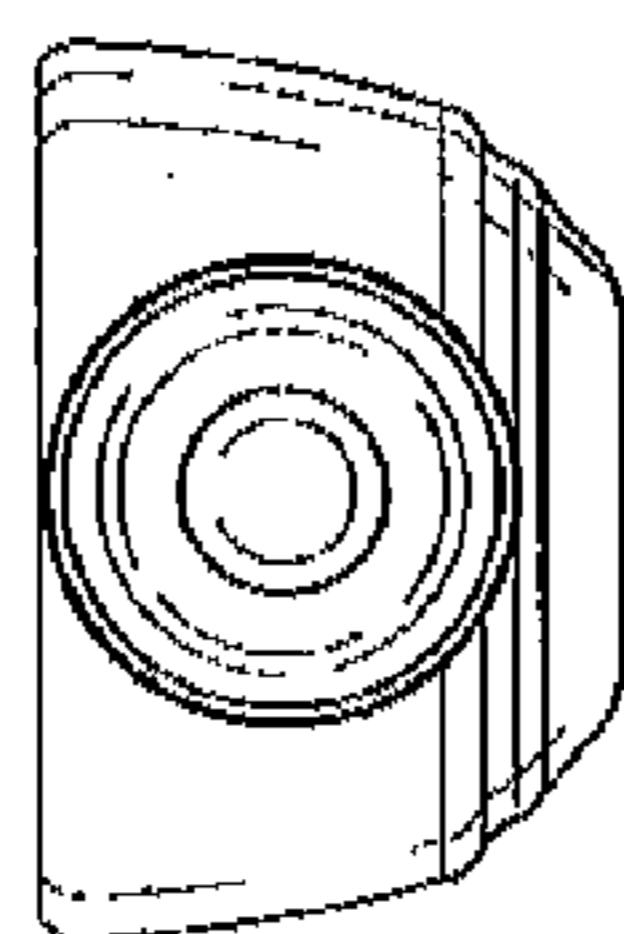


Fig-5

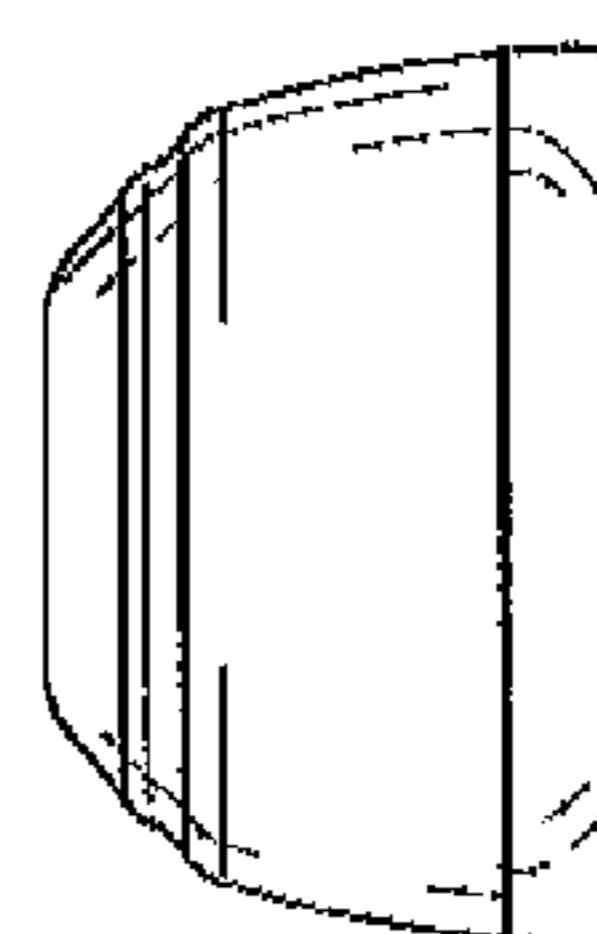


Fig-6