



US00D674051S

(12) **United States Design Patent**
Uhl

(10) **Patent No.:** **US D674,051 S**

(45) **Date of Patent:** **** Jan. 8, 2013**

(54) **FAUCET SET**

(75) Inventor: **Gary Uhl**, Fair Haven, NJ (US)

(73) Assignee: **AS IP Holdco, LLC**, Piscataway, NJ (US)

(**) Term: **14 Years**

(21) Appl. No.: **29/405,275**

(22) Filed: **Oct. 31, 2011**

(51) **LOC (9) Cl.** **23-01**

(52) **U.S. Cl.** **D23/242**

(58) **Field of Classification Search** D23/238,
D23/241-243, 250, 252, 255, 257; 4/675-678;
137/801

See application file for complete search history.

(56) **References Cited**

U.S. PATENT DOCUMENTS

D573,693 S *	7/2008	Hsieh	D23/242
D608,859 S *	1/2010	Schoenherr et al.	D23/242
D631,529 S *	1/2011	Ko	D23/238

* cited by examiner

Primary Examiner — Robert Delehanty

(74) *Attorney, Agent, or Firm* — Flaster/Greenberg P.C.

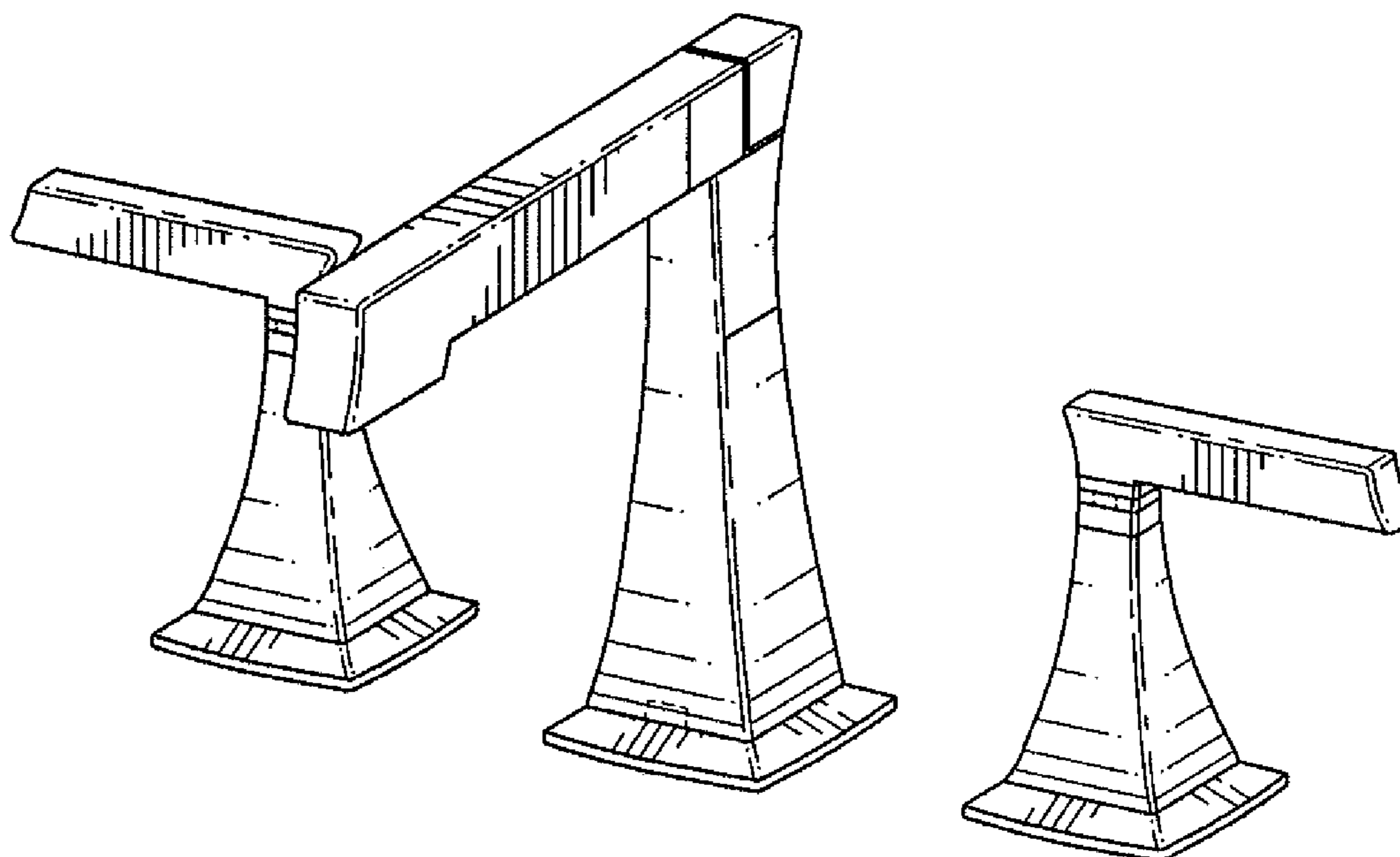
(57) **CLAIM**

The ornamental design for a faucet set, as shown and described.

DESCRIPTION

FIG. 1 is a perspective view of a faucet set;
FIG. 2 is a rear view of the faucet set of FIG. 1;
FIG. 3 is a front view of the faucet set of FIG. 1;
FIG. 4 is a right side view of the of FIG. 1;
FIG. 5 is a left side view of the faucet set of FIG. 1;
FIG. 6 is a top plan view of the faucet set of FIG. 1; and,
FIG. 7 is a bottom plan view of the faucet set of FIG. 1.
The broken lines of FIG. 7 are for the purpose of illustrating interior structures that may be included in the faucet and form no part of the claimed design.

1 Claim, 5 Drawing Sheets



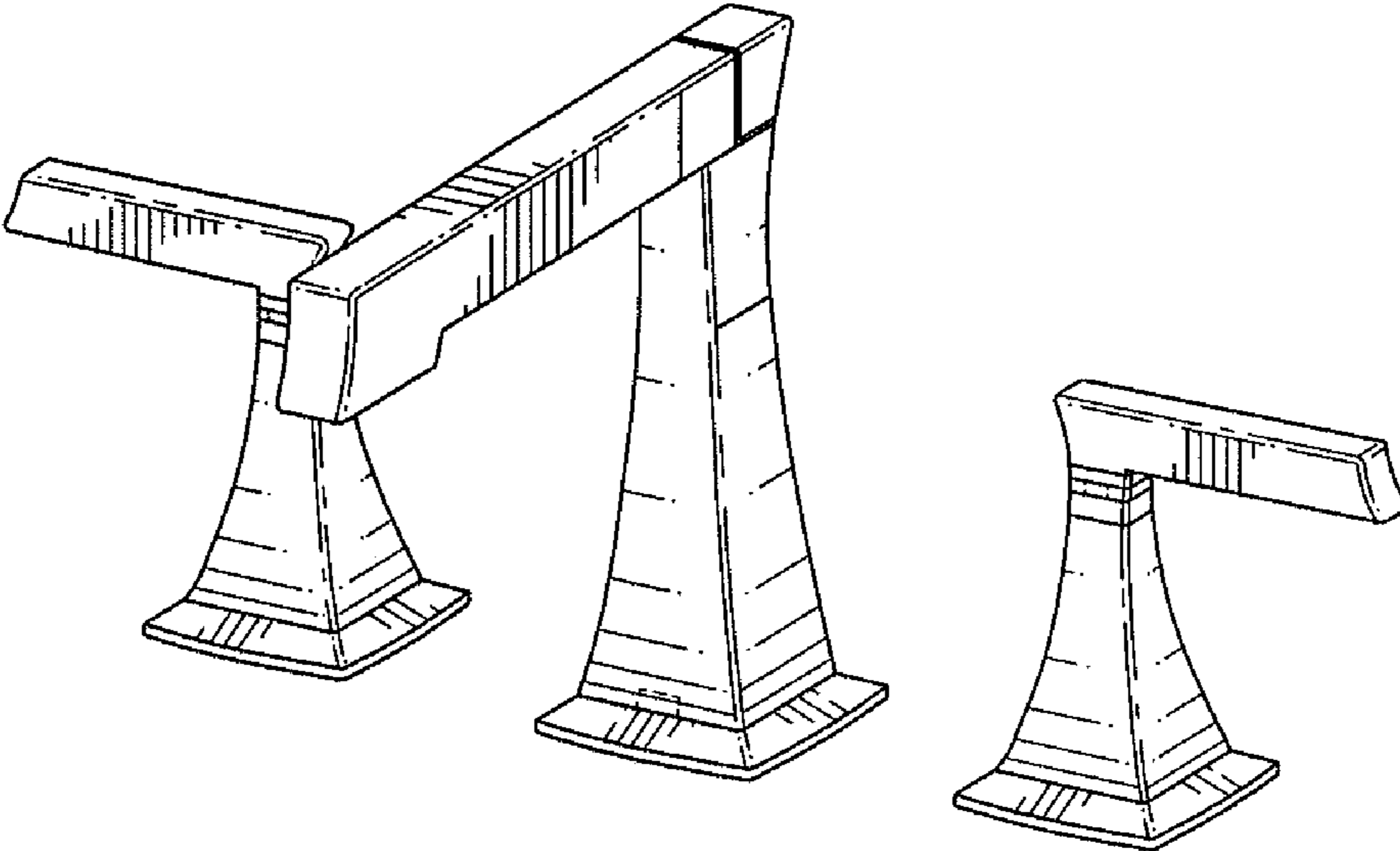


FIG. 1

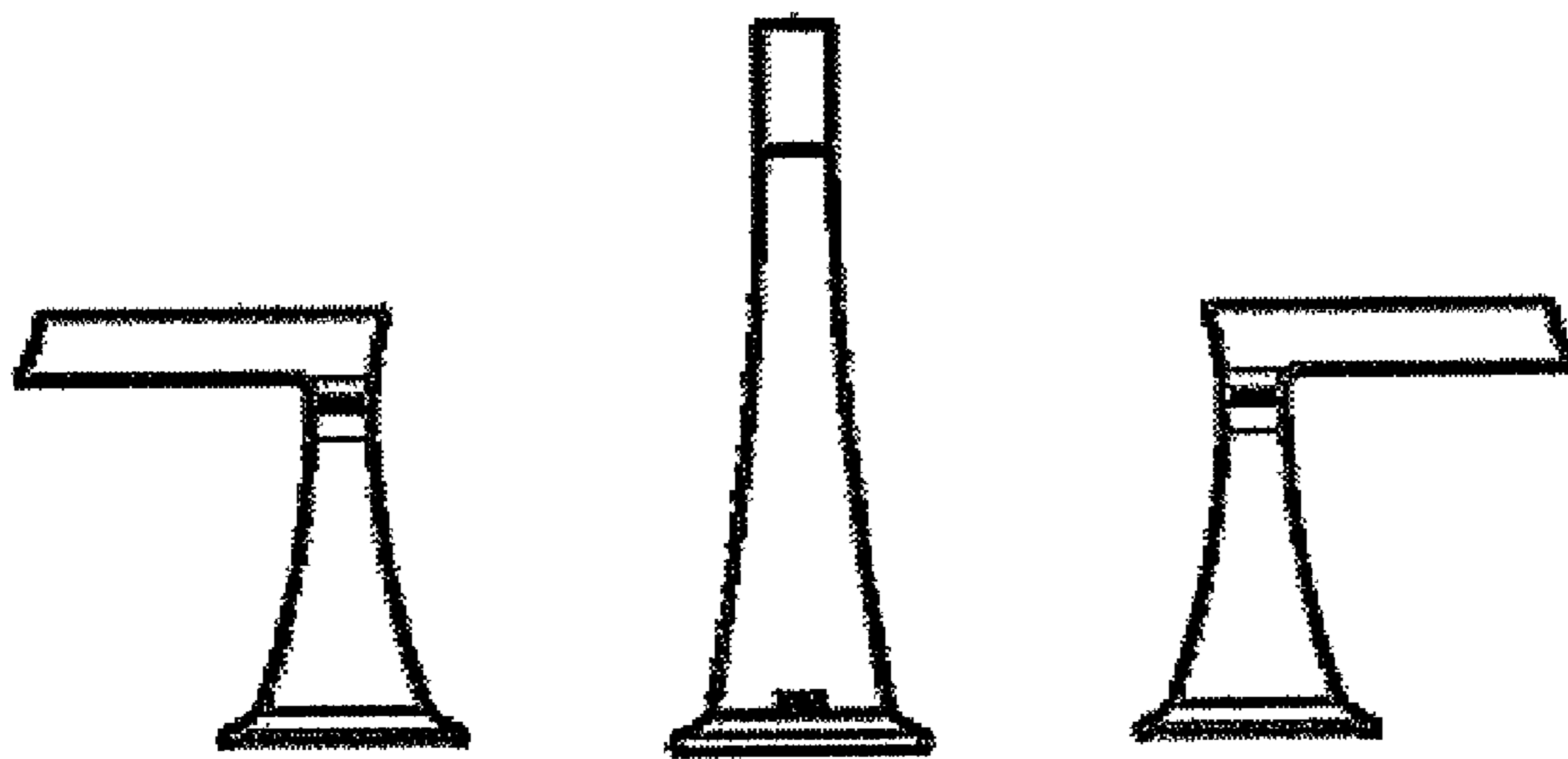


FIGURE 2

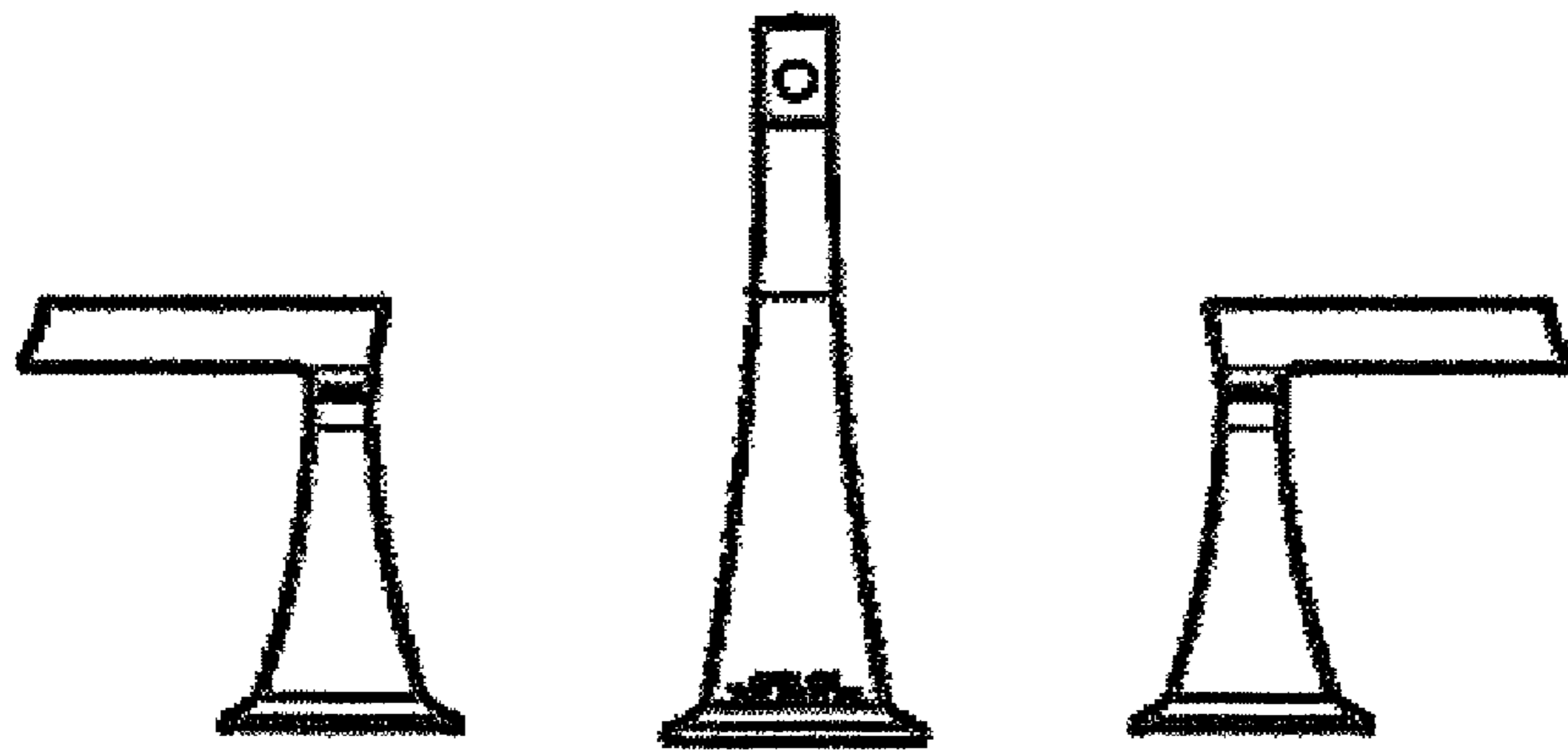


FIGURE 3

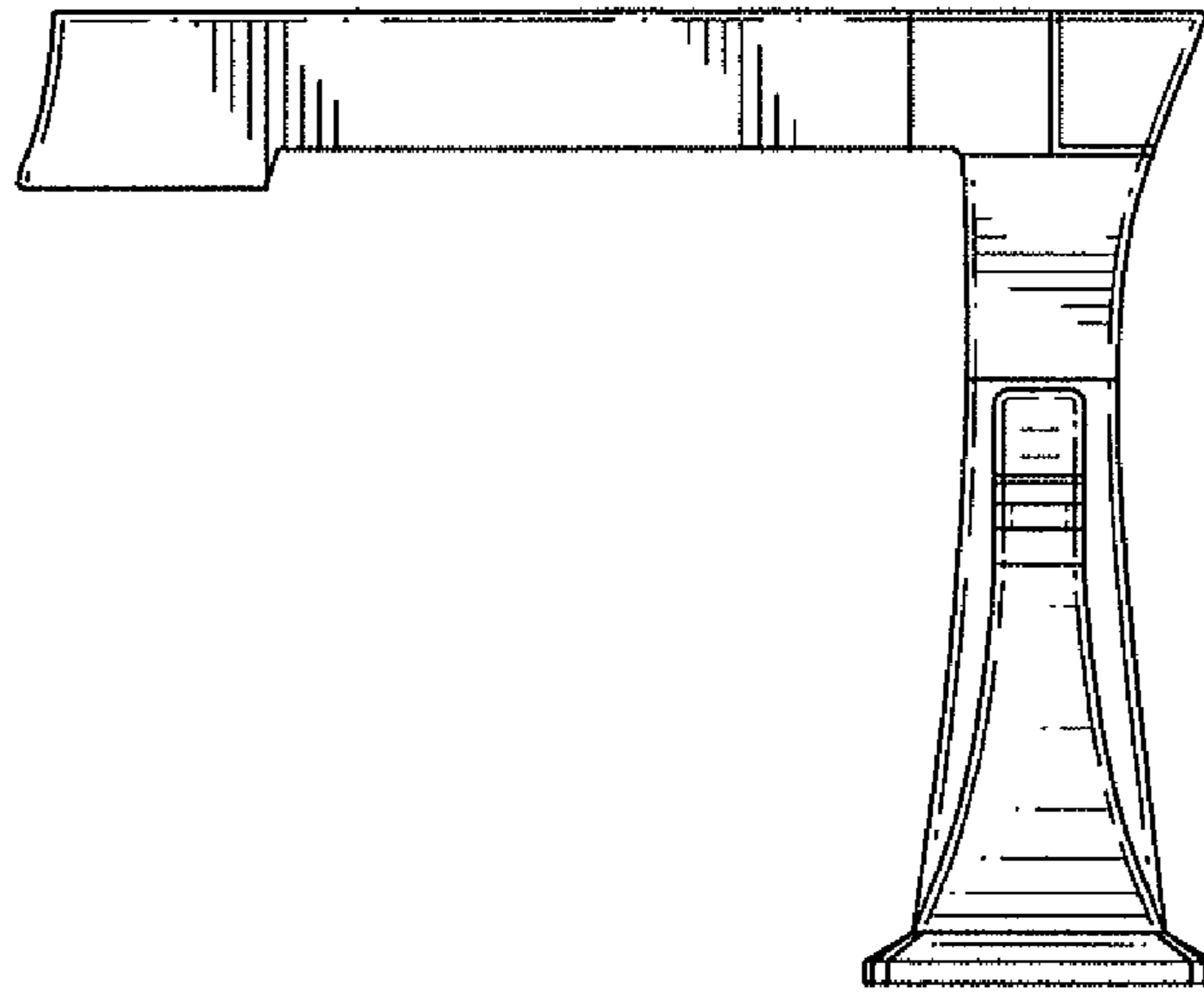


FIG. 4

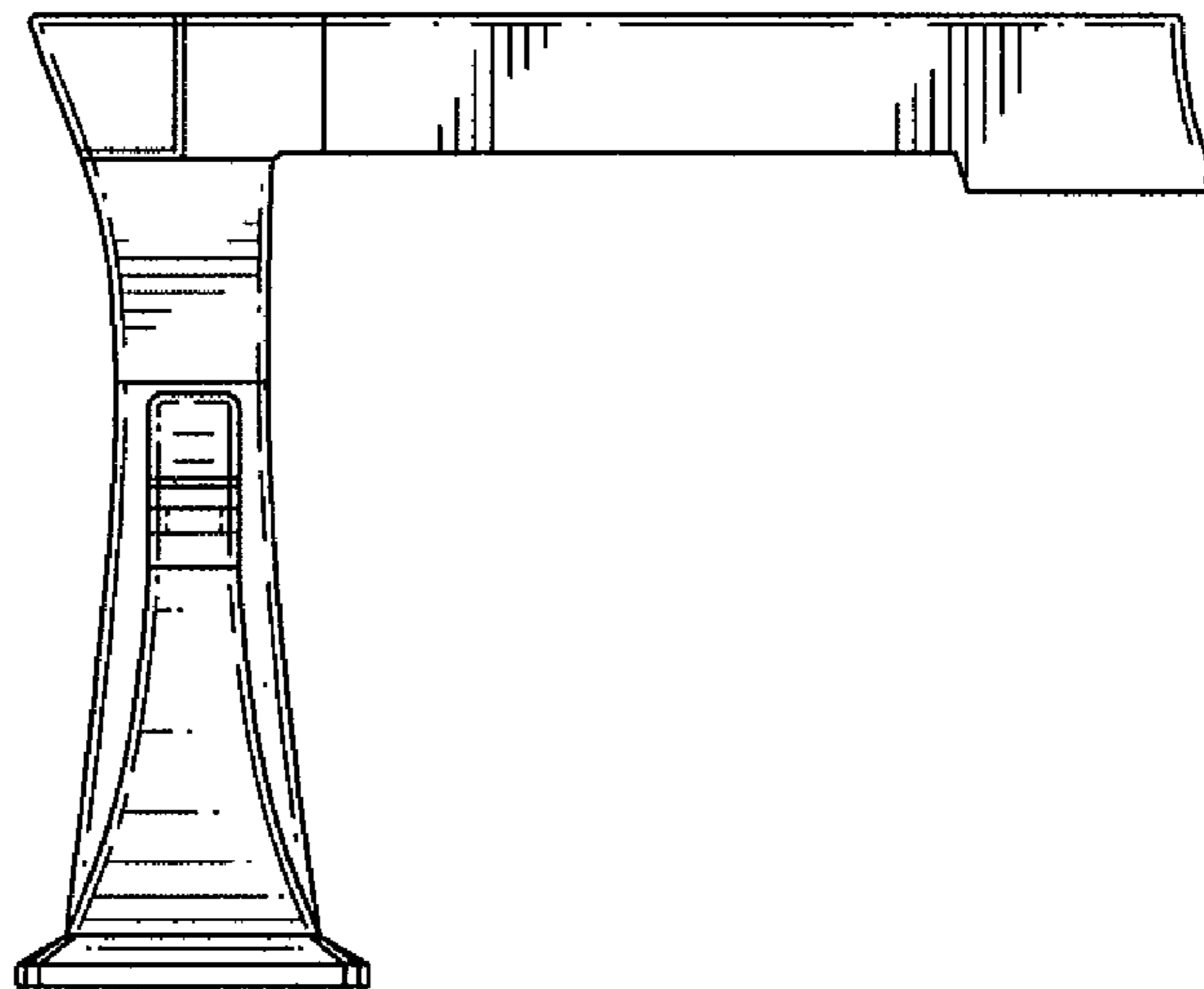


FIG. 5

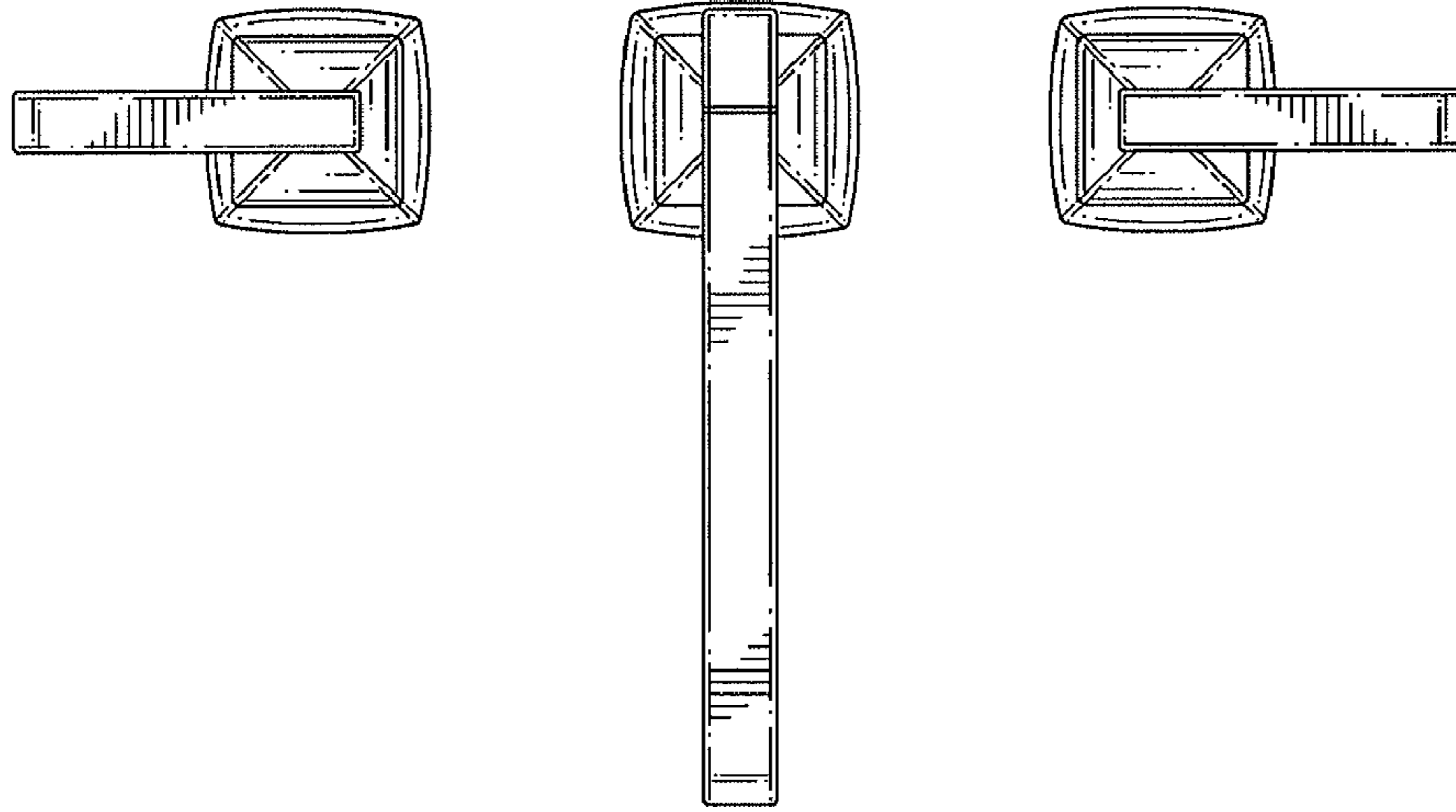


FIG. 6

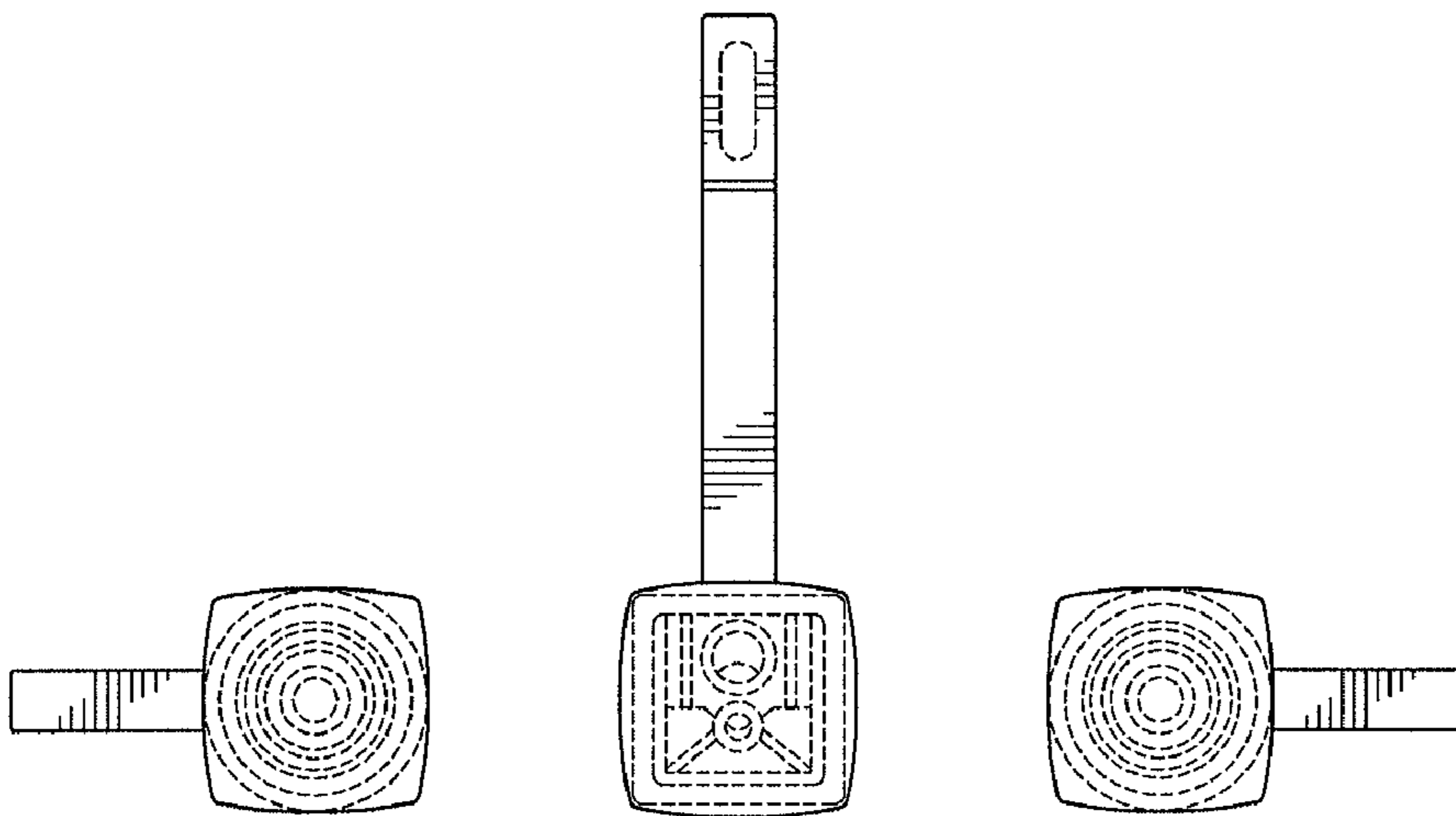


FIG. 7