



US00D674049S

(12) **United States Design Patent**  
**Genord**

(10) **Patent No.:** **US D674,049 S**  
(45) **Date of Patent:** **\*\* Jan. 8, 2013**

(54) **HANDHELD SHOWER**

D652,108 S \* 1/2012 Eads et al. .... D23/223

\* cited by examiner

(75) Inventor: **Dan Genord**, South Lyon, MI (US)

*Primary Examiner* — Robin V Webster

(73) Assignee: **Masco Corporation of Indiana**,  
Indianapolis, IN (US)

(74) *Attorney, Agent, or Firm* — Edgar A. Zarins; Nirav P. Parikh; Lora J. Graentzdoerffer

(\*\*) Term: **14 Years**

(57) **CLAIM**

The ornamental design for a handheld shower, as shown and described.

(21) Appl. No.: **29/418,445**

**DESCRIPTION**

(22) Filed: **Apr. 17, 2012**

(51) **LOC (9) Cl.** ..... **23-01**

FIG. 1 is a perspective view of a handheld shower showing my new design;

(52) **U.S. Cl.** ..... **D23/223**

FIG. 2 is a rear view thereof;

(58) **Field of Classification Search** ..... D23/213,

FIG. 3 is a front side view thereof;

D23/223, 226, 229, 230; 4/615; 239/282,

FIG. 4 is a first side view thereof;

239/283, 462

FIG. 5 is a second side view thereof;

See application file for complete search history.

FIG. 6 is a top view thereof; and,

FIG. 7 is a bottom view thereof.

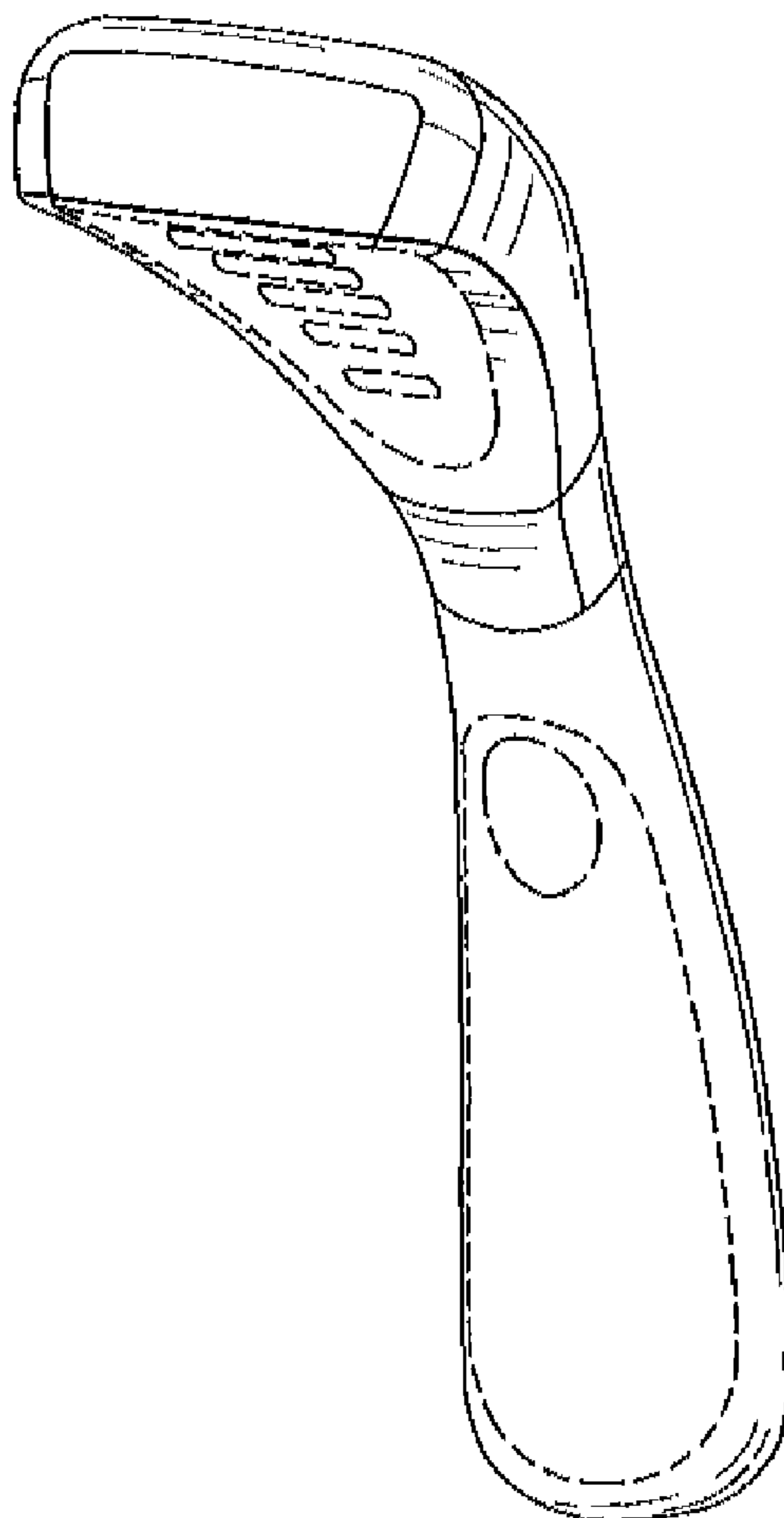
The broken line showing is included for the purpose of illustrating and forms no part of the claimed design.

(56) **References Cited**

**U.S. PATENT DOCUMENTS**

D555,229 S \* 11/2007 Wroblewski et al. .... D23/223

**1 Claim, 2 Drawing Sheets**



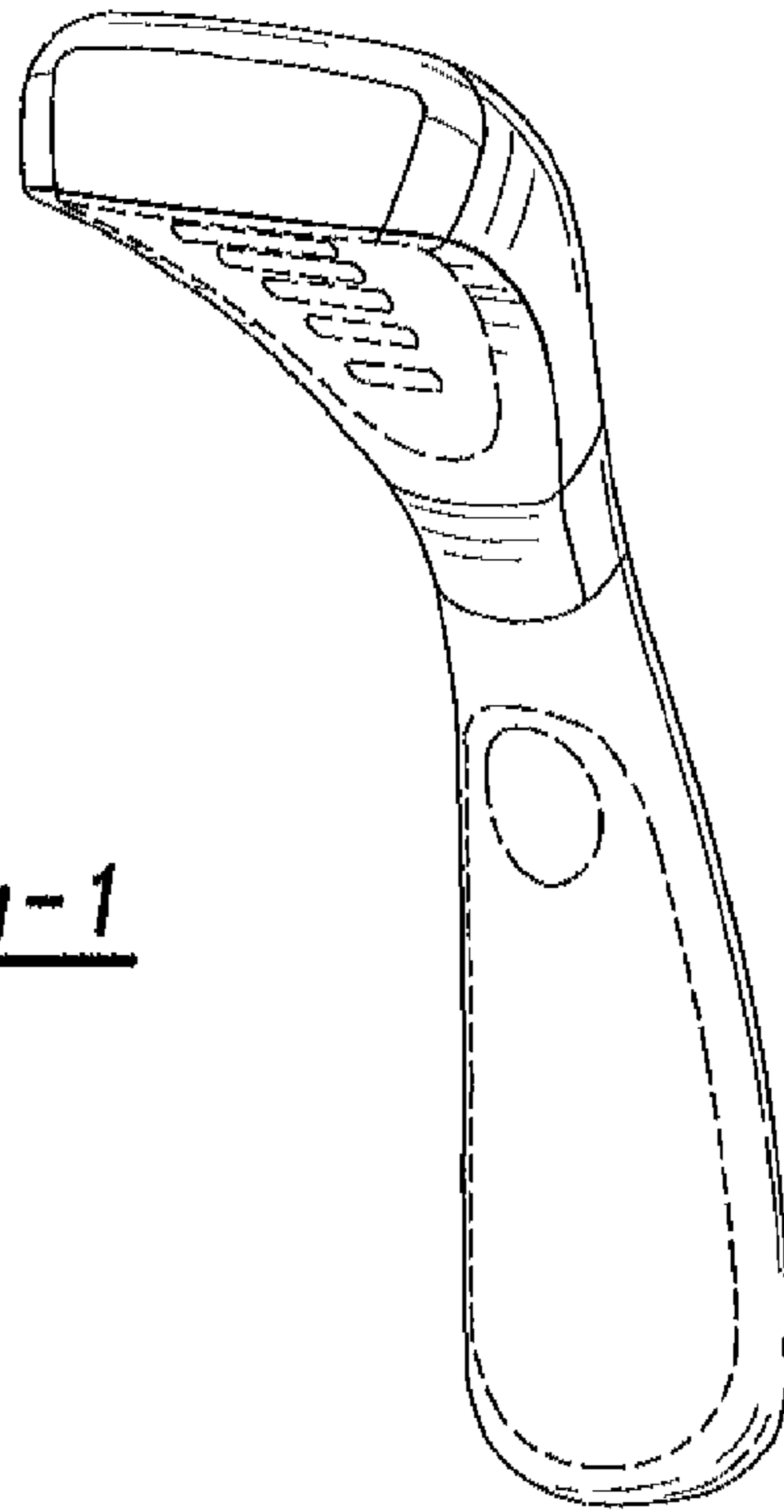


Fig-1

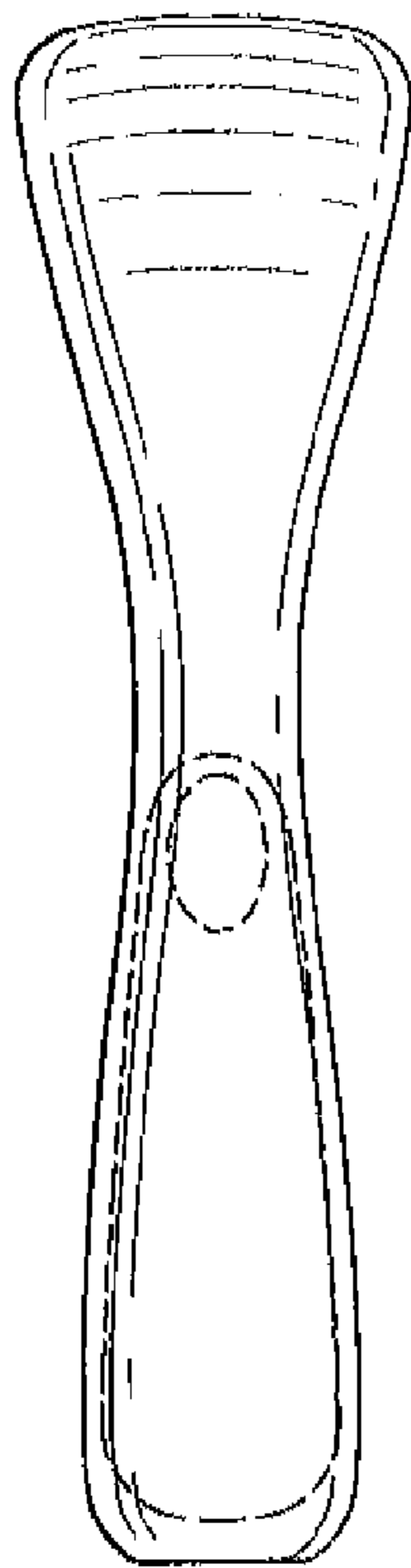


Fig-2

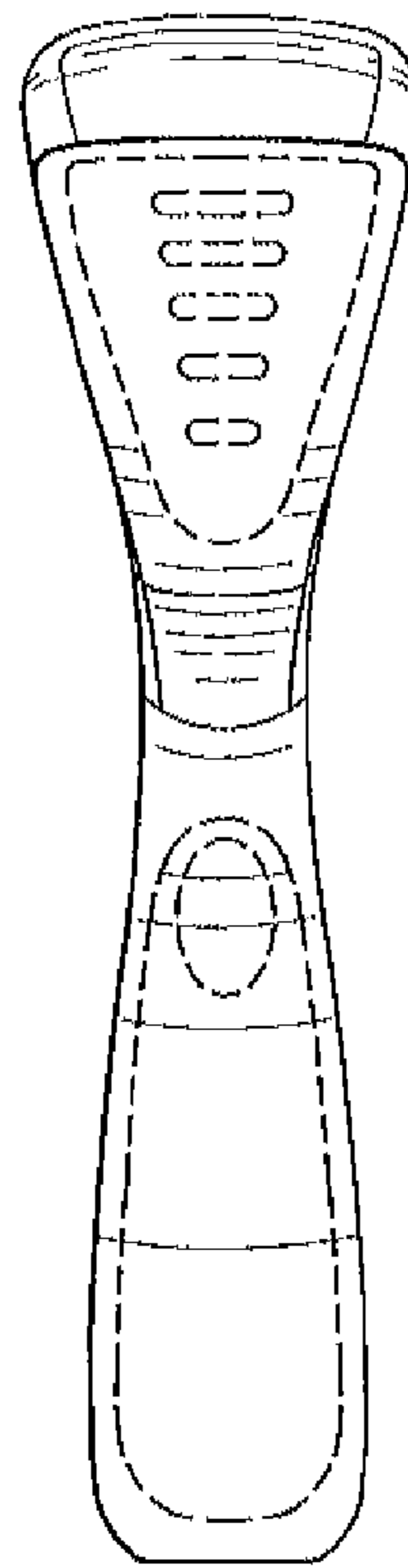


Fig-3

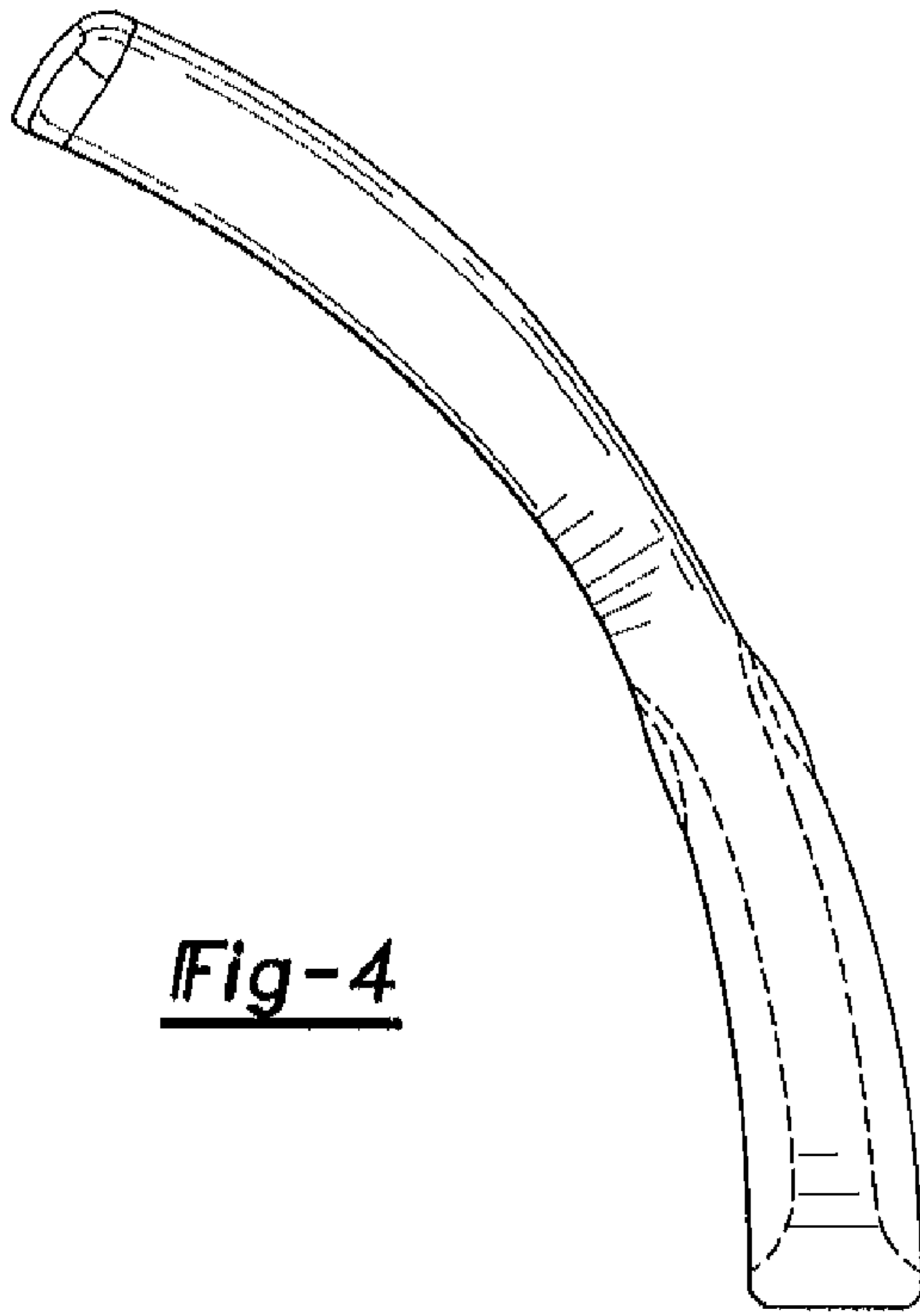


Fig-4

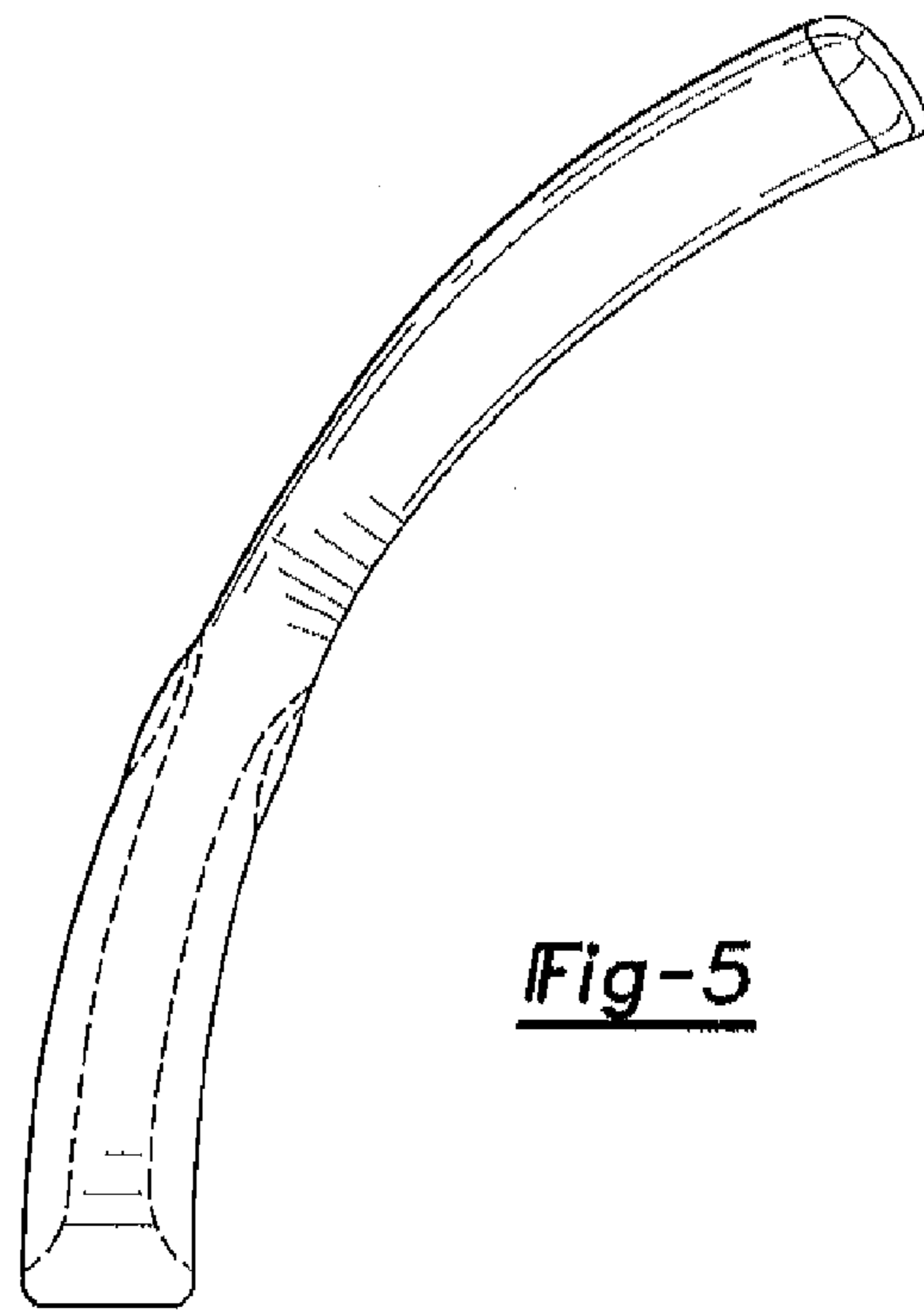


Fig-5

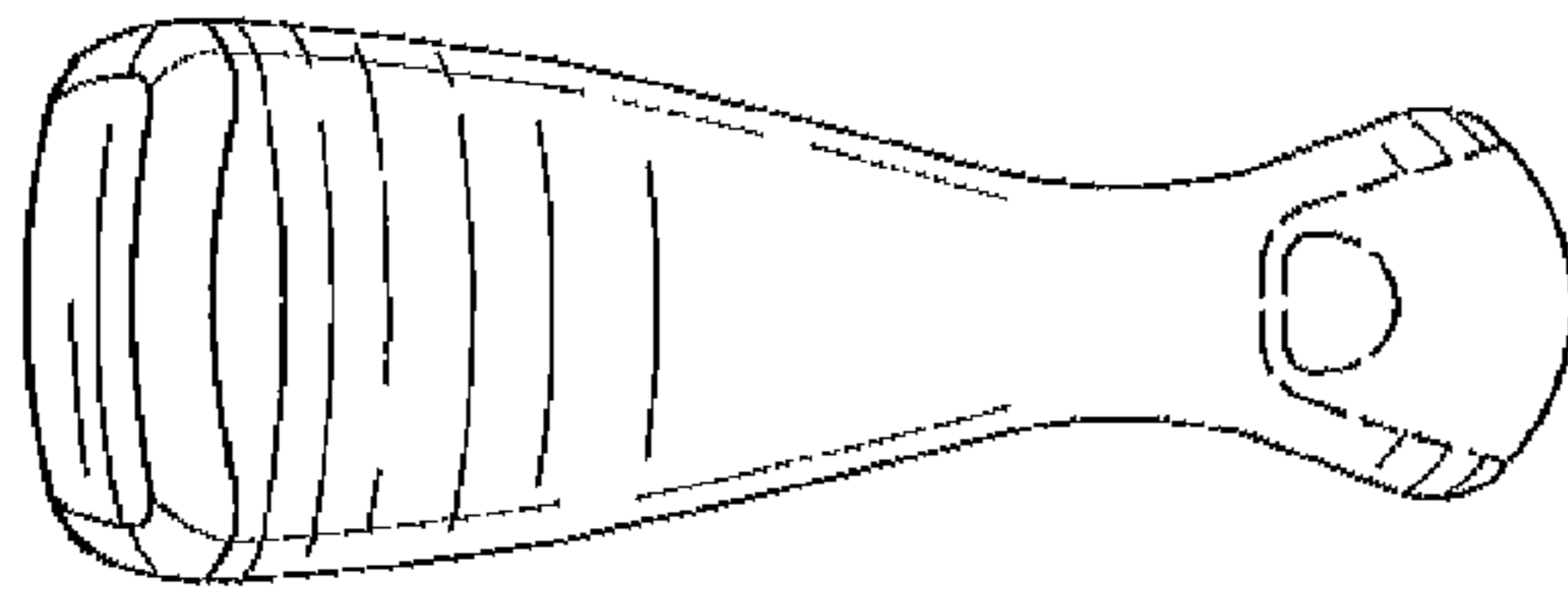


Fig-6

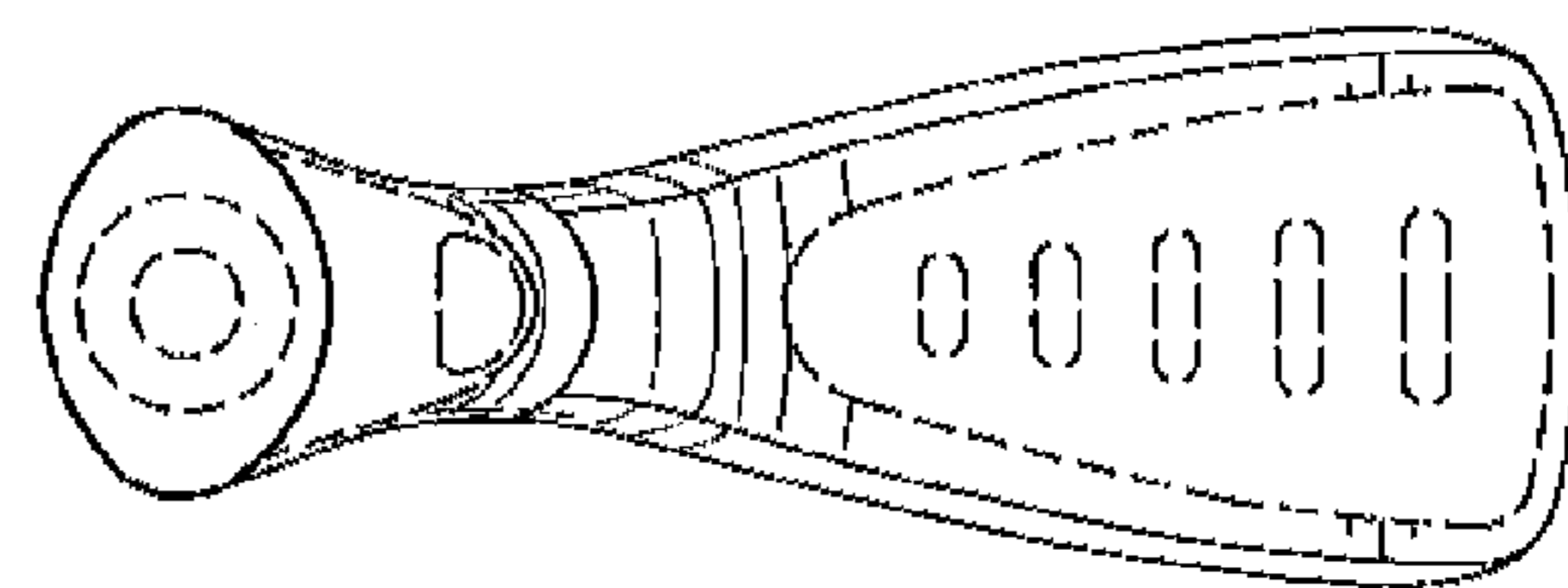


Fig-7