



US00D674048S

(12) **United States Design Patent**
Yoo et al.

(10) **Patent No.:** **US D674,048 S**
(45) **Date of Patent:** **** Jan. 8, 2013**

(54) **HANDHELD SHOWER**

D655,383 S * 3/2012 Flowers et al. D23/223
D659,797 S * 5/2012 Farley D23/223

(75) Inventors: **Manki Yoo**, Skokie, IL (US); **Thad James Eads**, Lagro, IN (US)

* cited by examiner

(73) Assignee: **Masco Corporation of Indiana**, Indianapolis, IN (US)

Primary Examiner — Robin V Webster

(74) *Attorney, Agent, or Firm* — Edgar A. Zarins; Nirav D. Parikh; Lora J. Graentzdoerffer

(**) Term: **14 Years**

(57) **CLAIM**

The ornamental design for a handheld shower, as shown and described.

(21) Appl. No.: **29/418,359**

DESCRIPTION

(22) Filed: **Apr. 16, 2012**

(51) **LOC (9) Cl.** **23-01**

(52) **U.S. Cl.** **D23/223**

(58) **Field of Classification Search** D23/213,
D23/223, 226, 229, 230; 4/615; 239/282,
239/283, 462

See application file for complete search history.

FIG. 1 is a perspective view of a handheld shower showing our new design;
FIG. 2 is a front view thereof;
FIG. 3 is a rear view thereof;
FIG. 4 is a right side view thereof;
FIG. 5 is a left side view thereof;
FIG. 6 is a top plan view thereof; and,
FIG. 7 is a bottom view thereof.

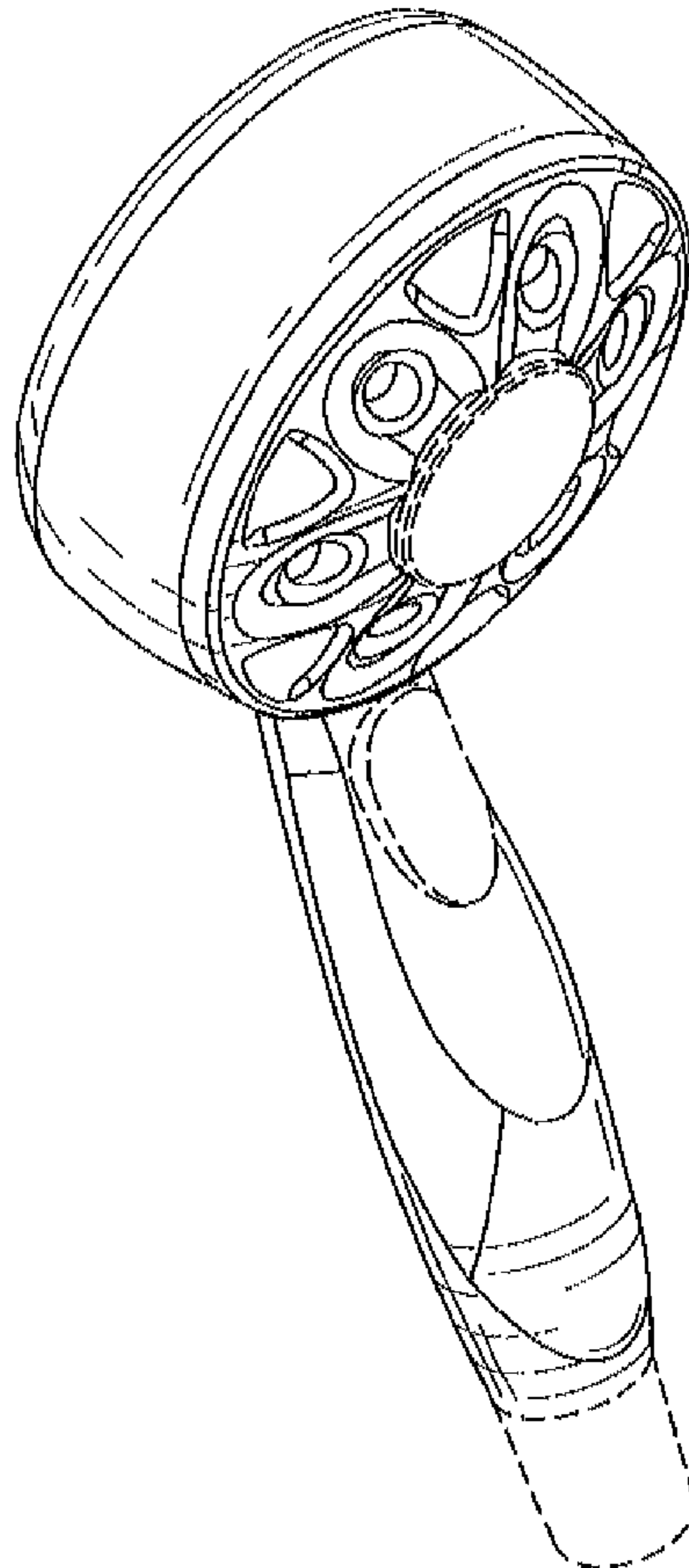
The broken line showing in FIGS. 1-7 is included for the purpose of illustrating and forms no part of the claimed design.

(56) **References Cited**

U.S. PATENT DOCUMENTS

D534,239 S * 12/2006 Dingler et al. D23/223
D560,753 S * 1/2008 Chung D23/223

1 Claim, 2 Drawing Sheets



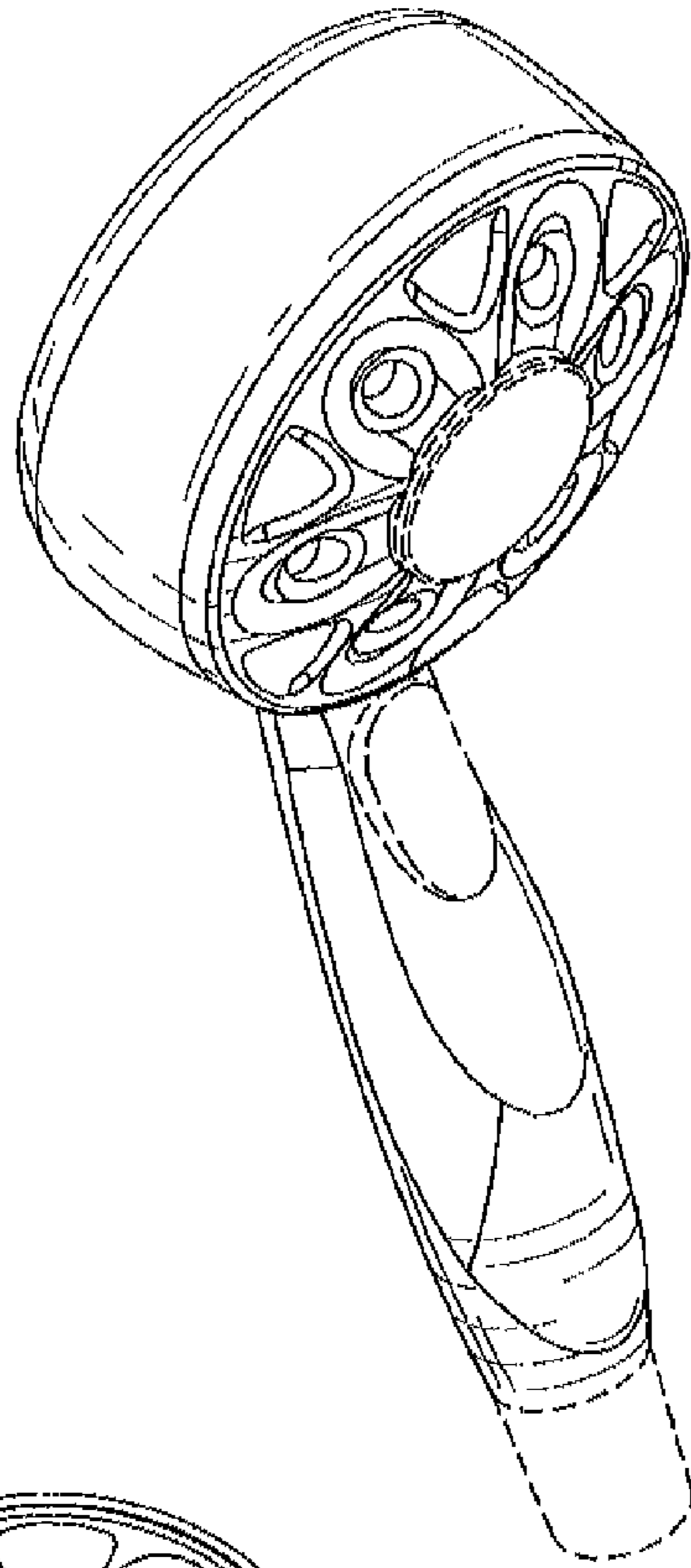


Fig-1

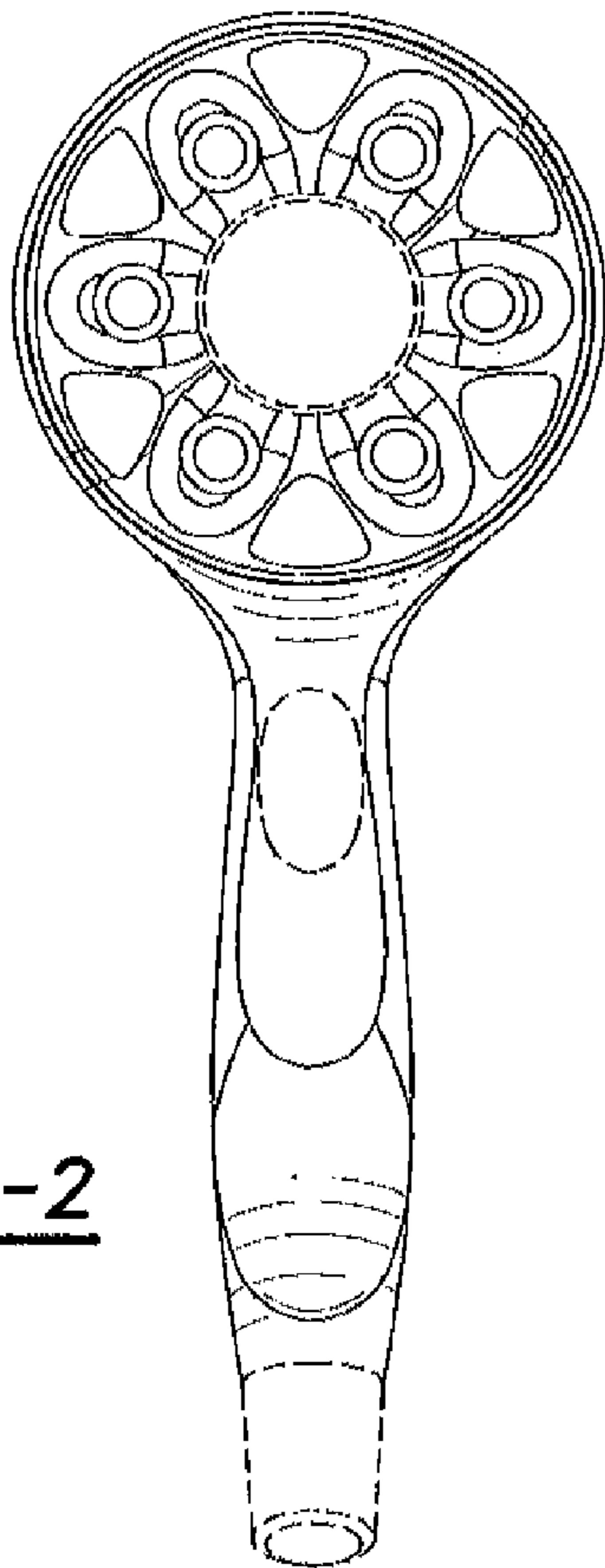


Fig-2

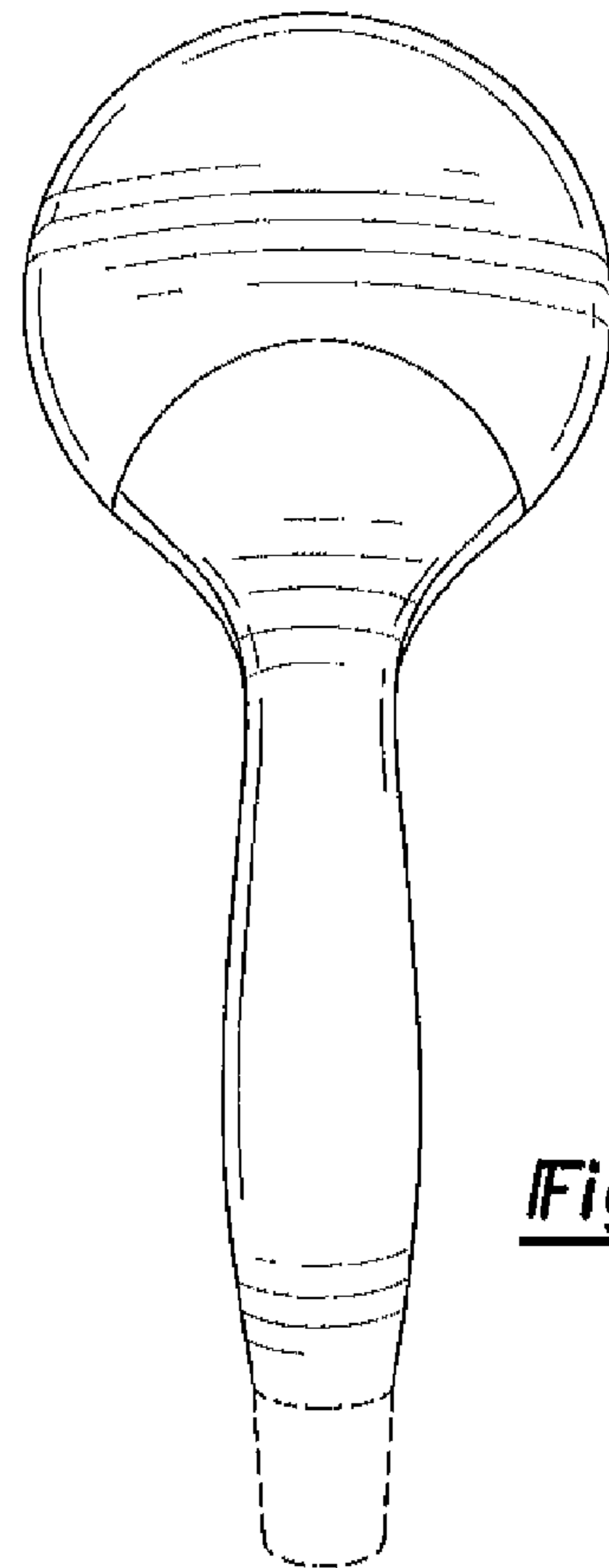


Fig-3

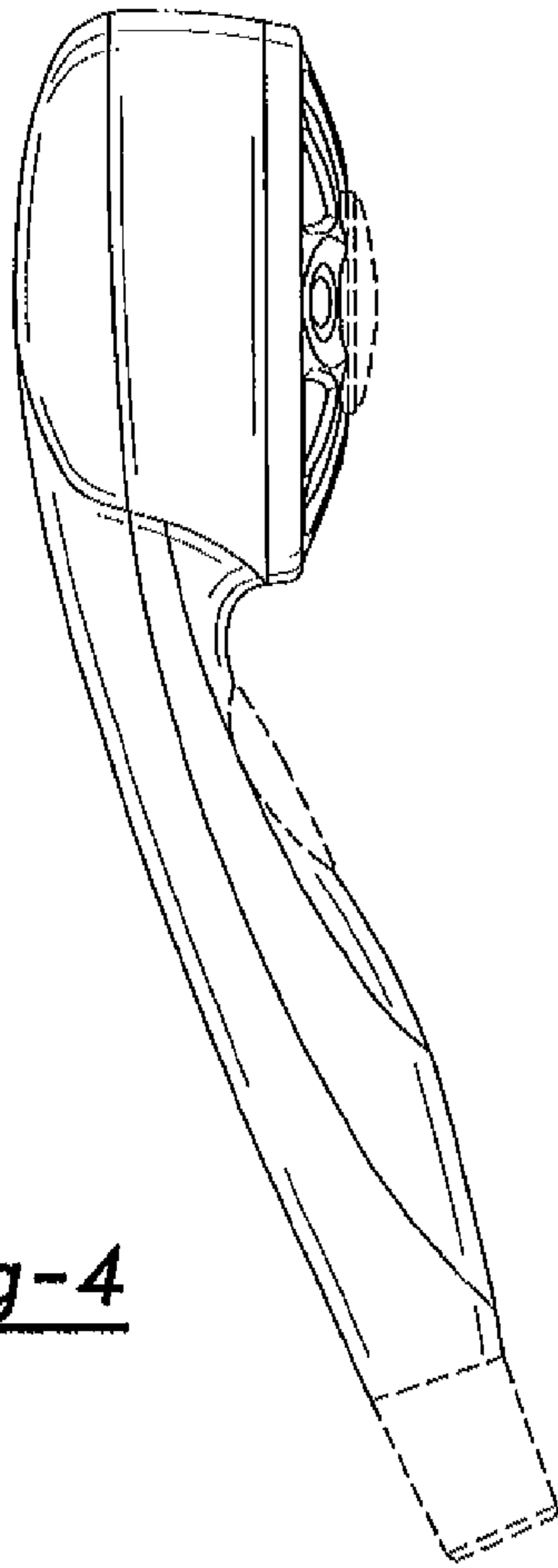


Fig-4

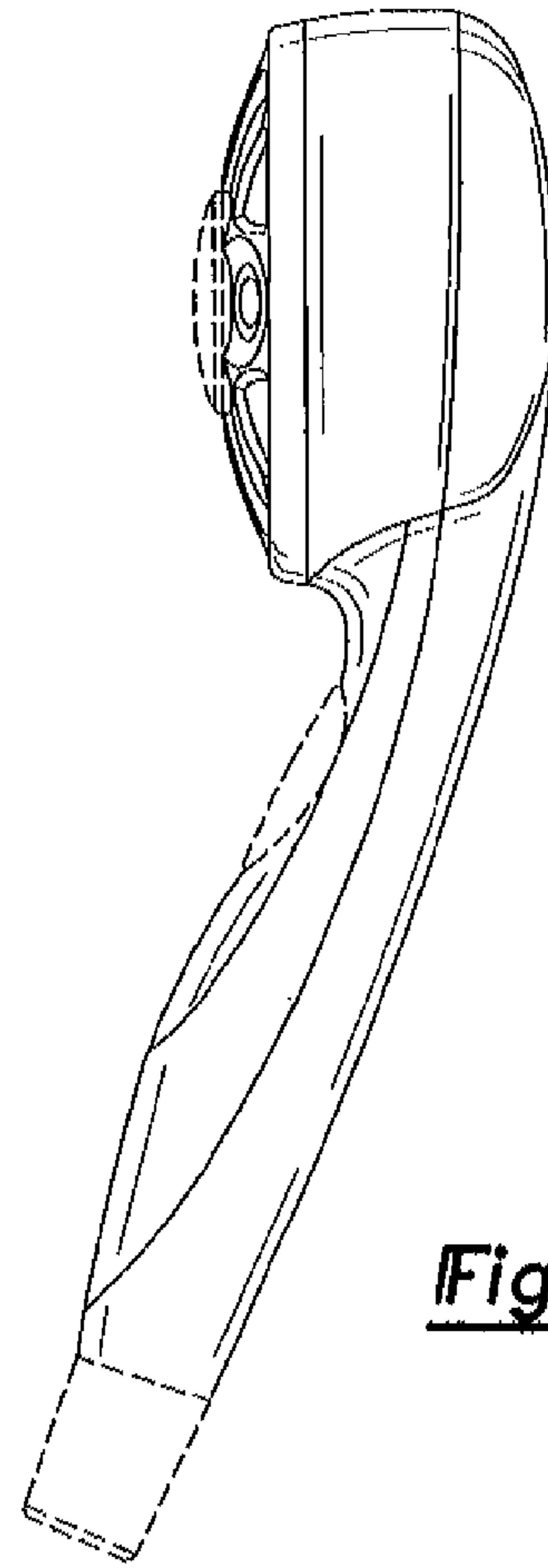


Fig-5

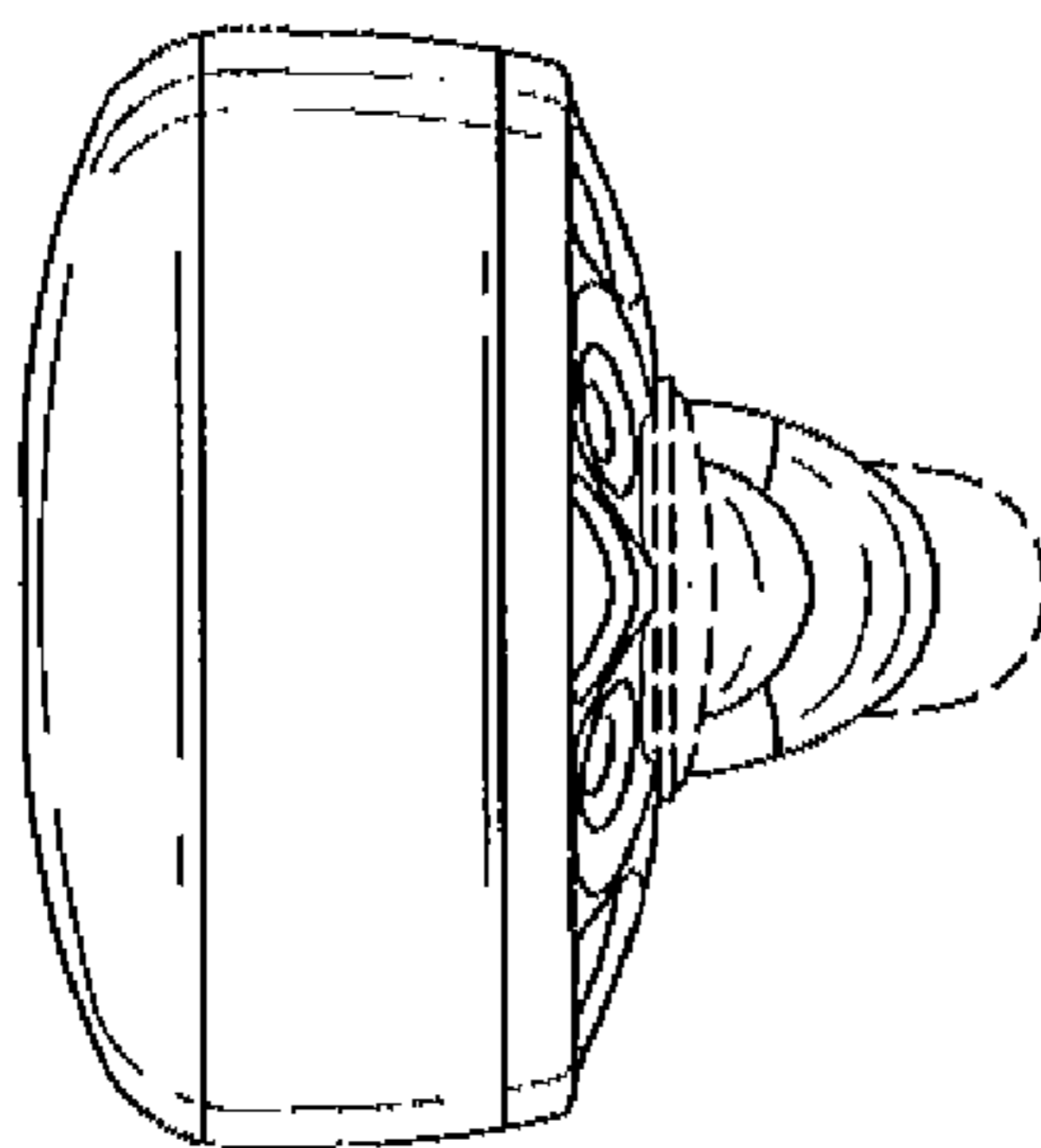


Fig-6

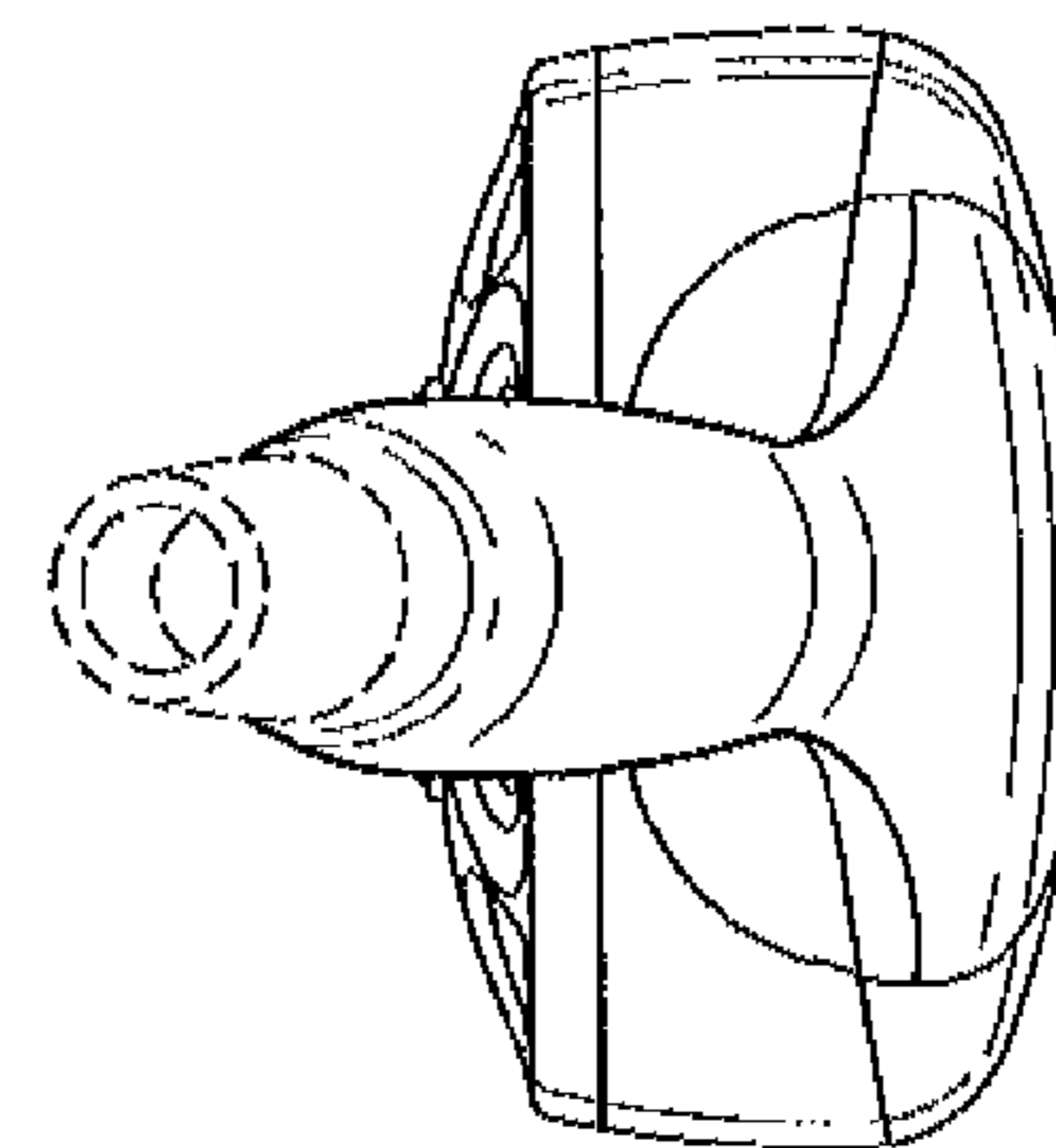


Fig-7