



US00D674041S

(12) **United States Design Patent**  
**Hanus**

(10) **Patent No.:** **US D674,041 S**  
(45) **Date of Patent:** **\*\* Jan. 8, 2013**

(54) **SHOWER**

D621,905 S \* 8/2010 Yoo et al. .... D23/213

(75) Inventor: **Kate Hanus**, Elizabeth, IN (US)

\* cited by examiner

(73) Assignee: **Masco Corporation of Indiana**,  
Indianapolis, IN (US)

*Primary Examiner* — Robin V Webster

(74) *Attorney, Agent, or Firm* — Edgar A. Zarins; Nirav D. Parikh; Lora J. Graentzdoerffer

(\*\*) Term: **14 Years**

(57) **CLAIM**

(21) Appl. No.: **29/418,201**

The ornamental design for a shower, as shown and described.

(22) Filed: **Apr. 13, 2012**

**DESCRIPTION**

(51) **LOC (9) Cl.** ..... **23-01**

(52) **U.S. Cl.** ..... **D23/213**

(58) **Field of Classification Search** ..... D23/213,  
D23/223, 226, 229, 230; 4/615; 239/282,  
239/283, 462

FIG. 1 is a perspective view of a shower showing my new design;

FIG. 2 is a front elevational view thereof;

FIG. 3 is a top view thereof;

FIG. 4 is a bottom view thereof;

FIG. 5 is a first side view thereof;

FIG. 6 is a second side view thereof; and,

FIG. 7 is a rear view thereof.

See application file for complete search history.

The broken line showing is included for the purpose of illustrating and forms no part of the claimed design.

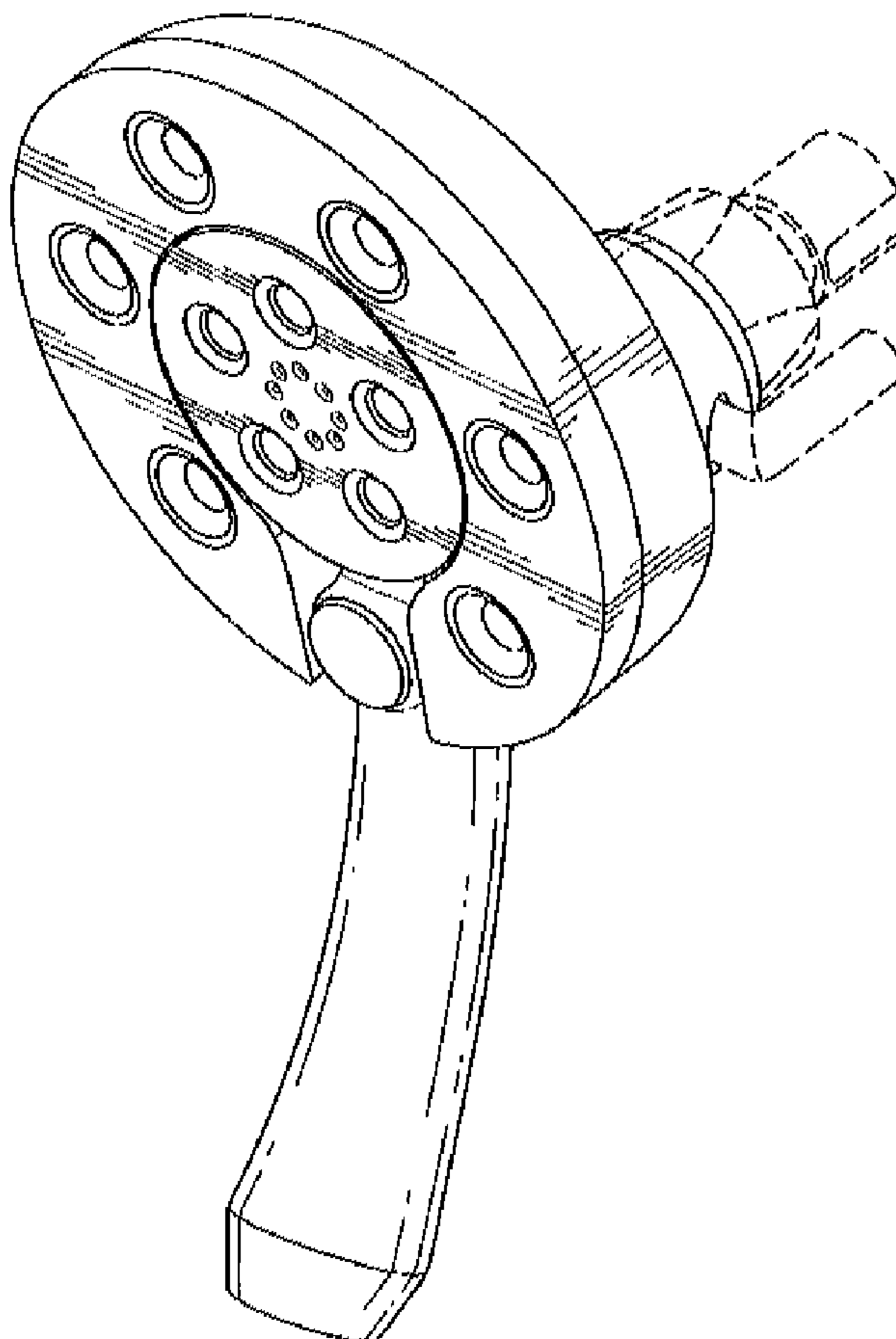
(56) **References Cited**

U.S. PATENT DOCUMENTS

D556,294 S \* 11/2007 Wroblewski et al. .... D23/223

D621,904 S \* 8/2010 Yoo et al. .... D23/213

**1 Claim, 2 Drawing Sheets**



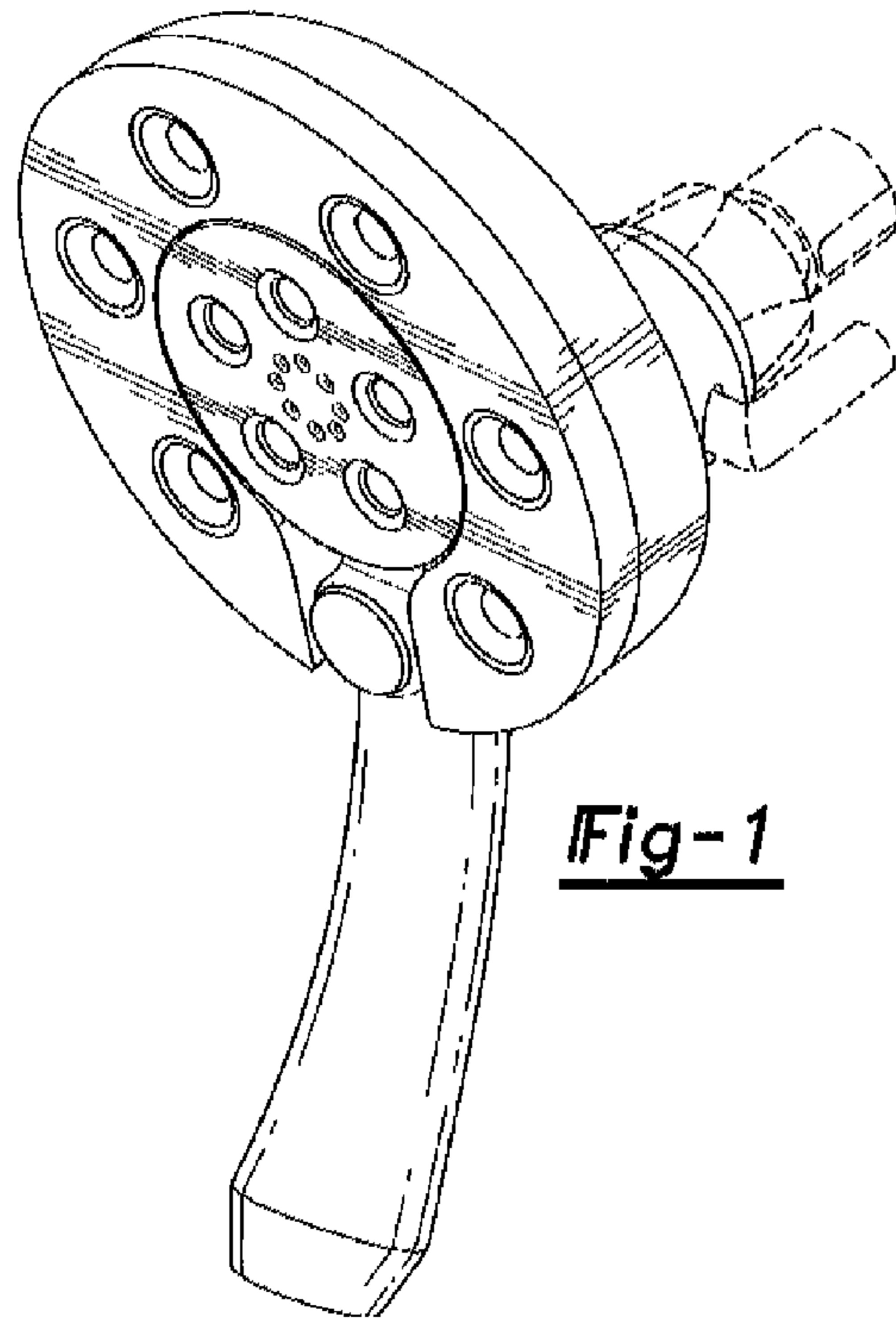


Fig-1

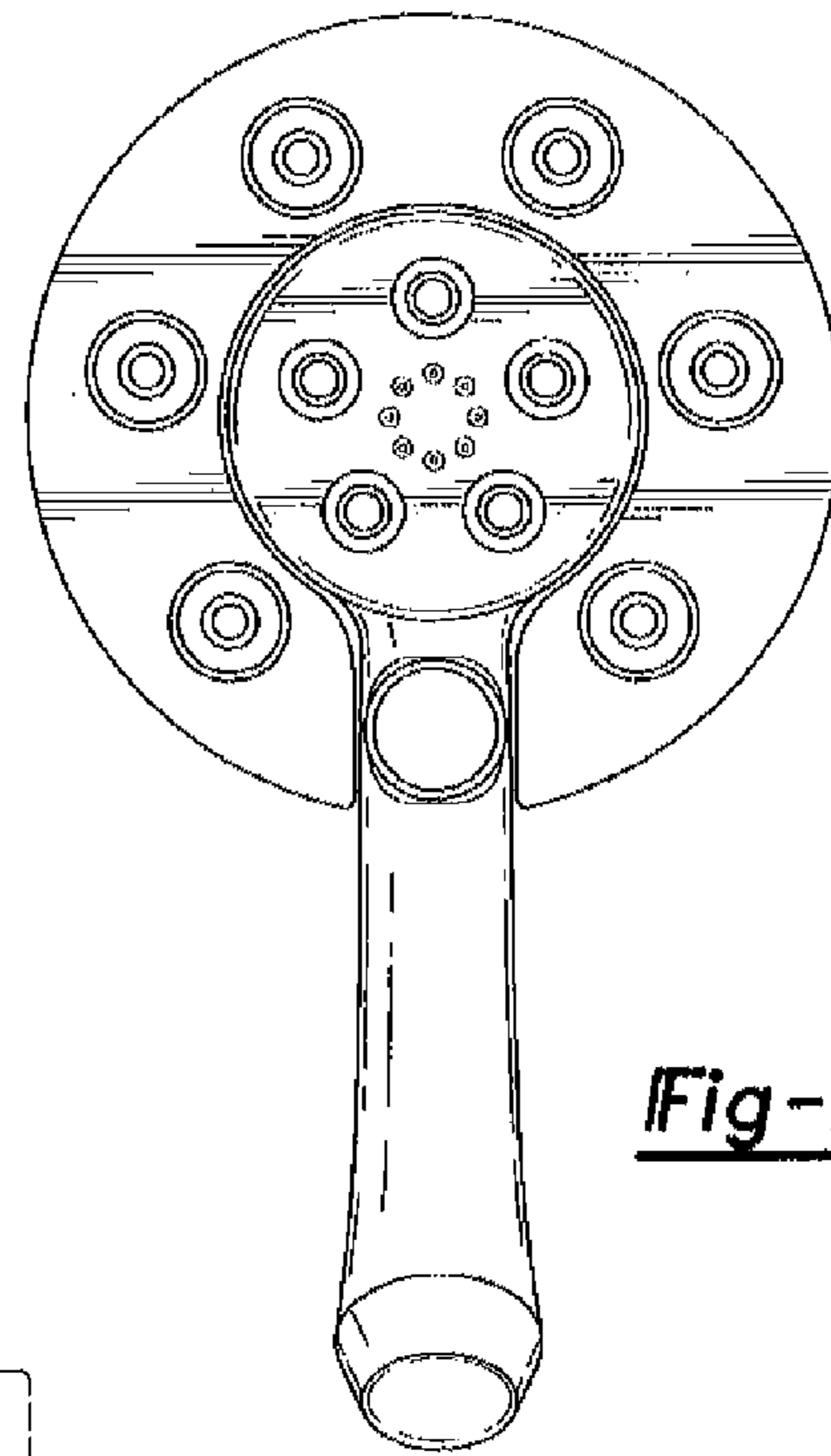


Fig-2

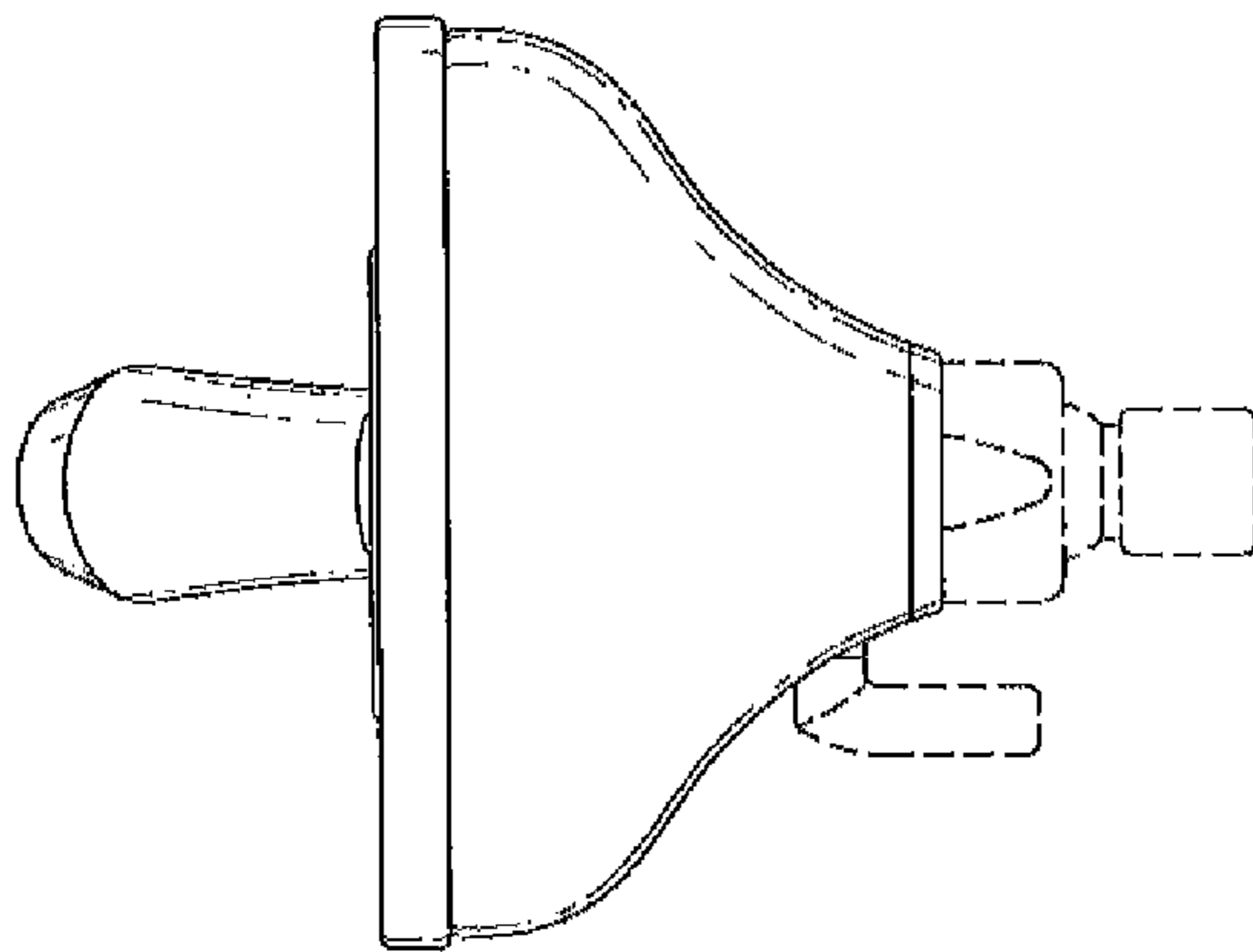


Fig-3

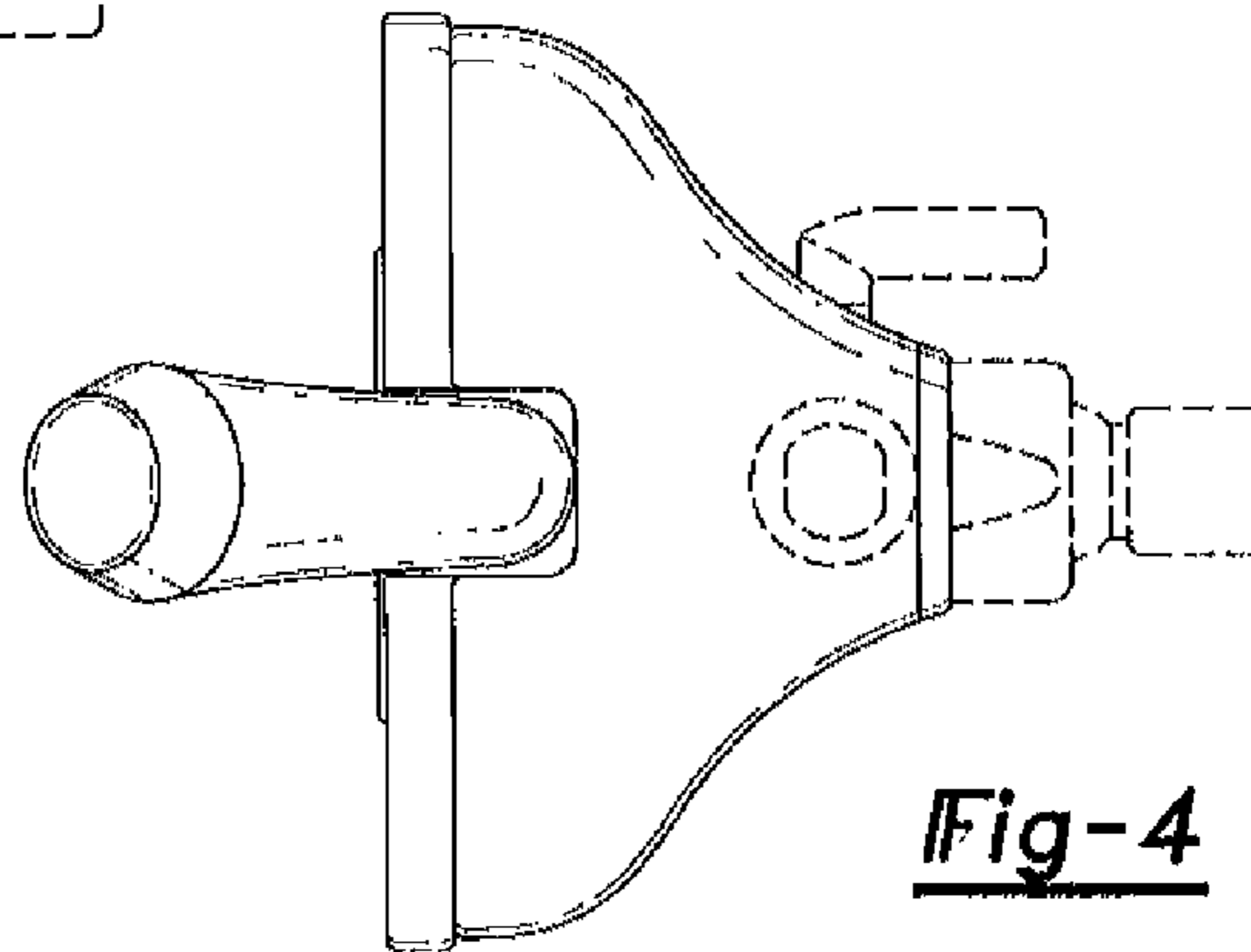


Fig-4

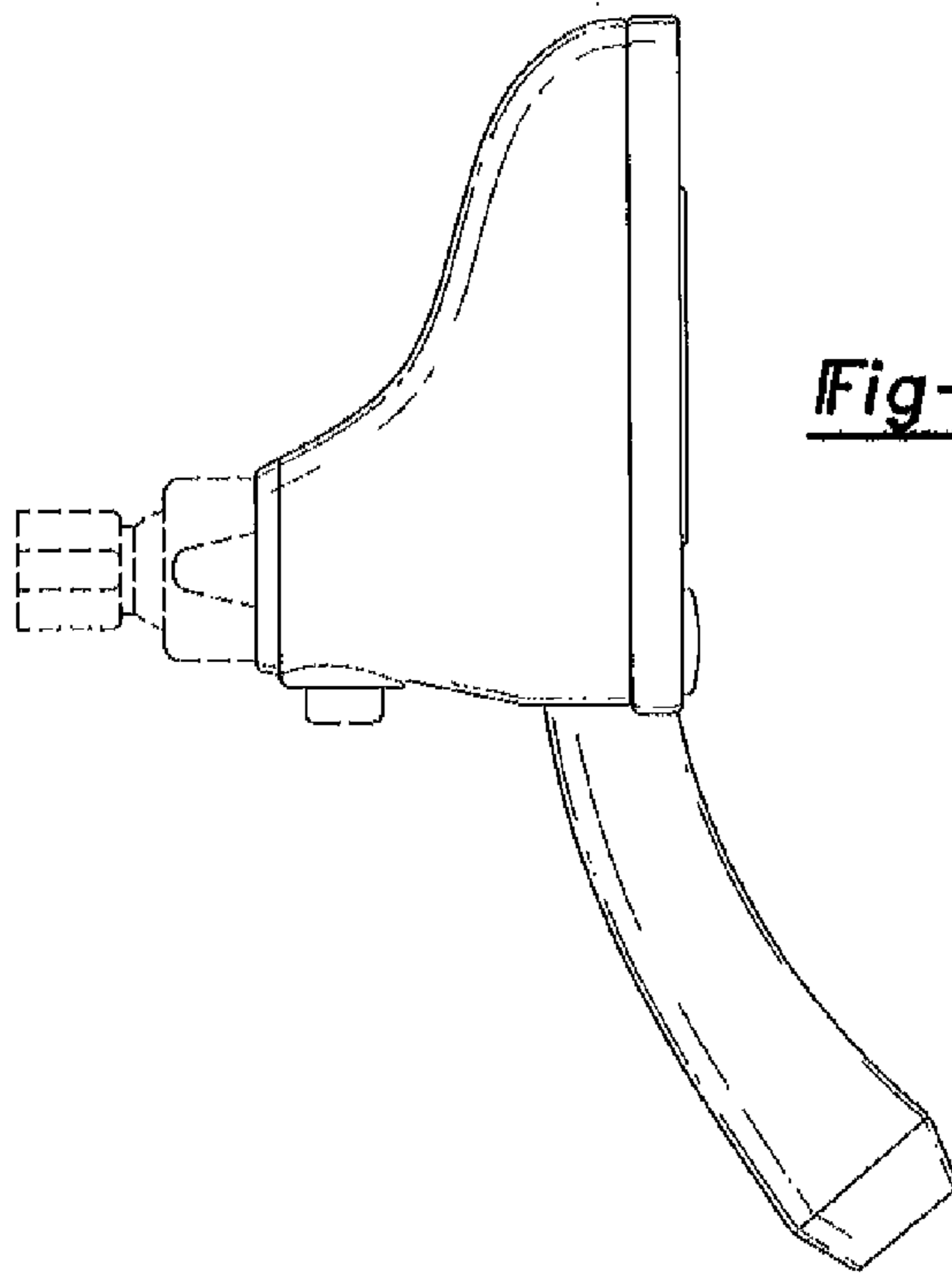


Fig-5

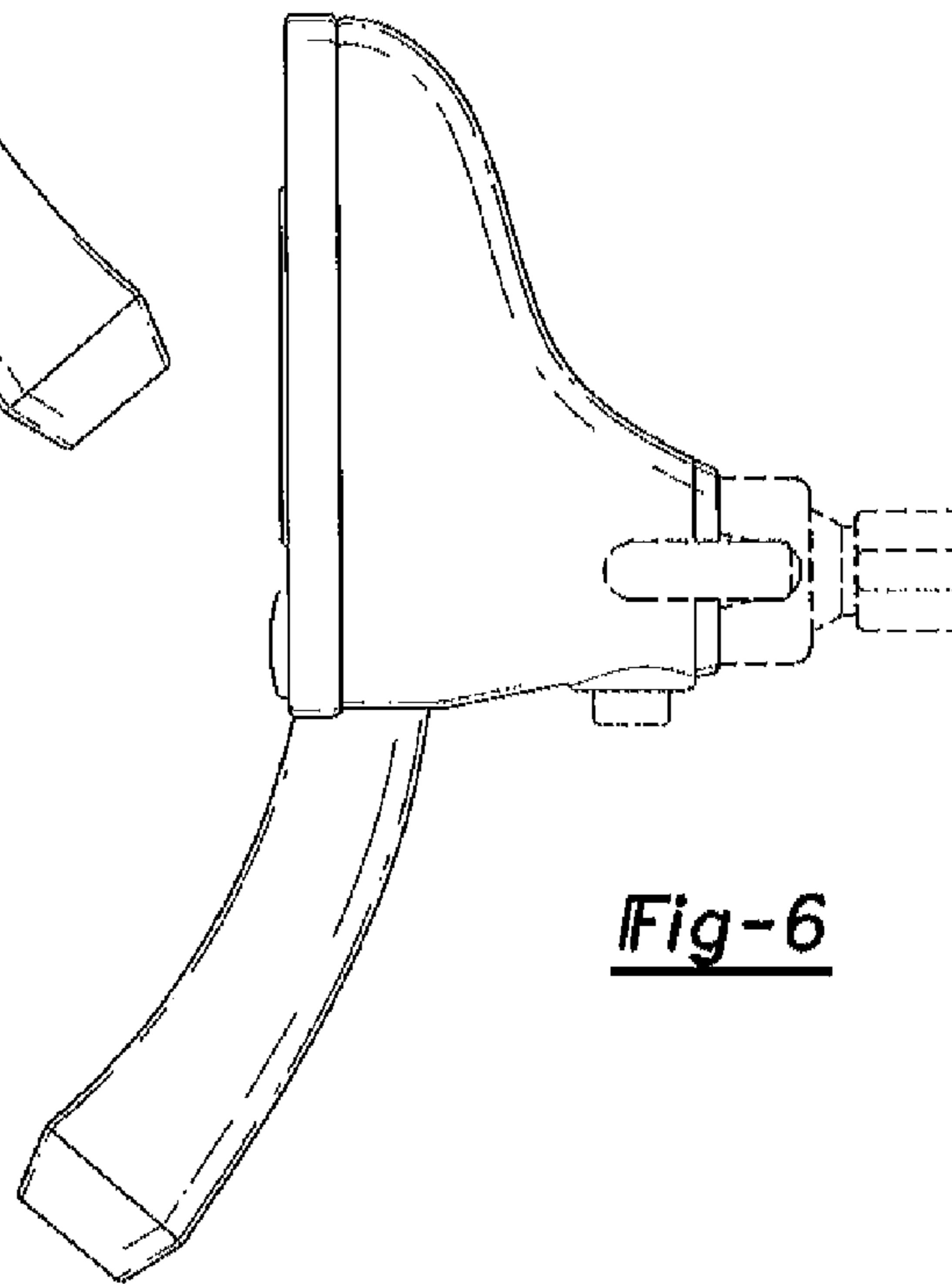


Fig-6

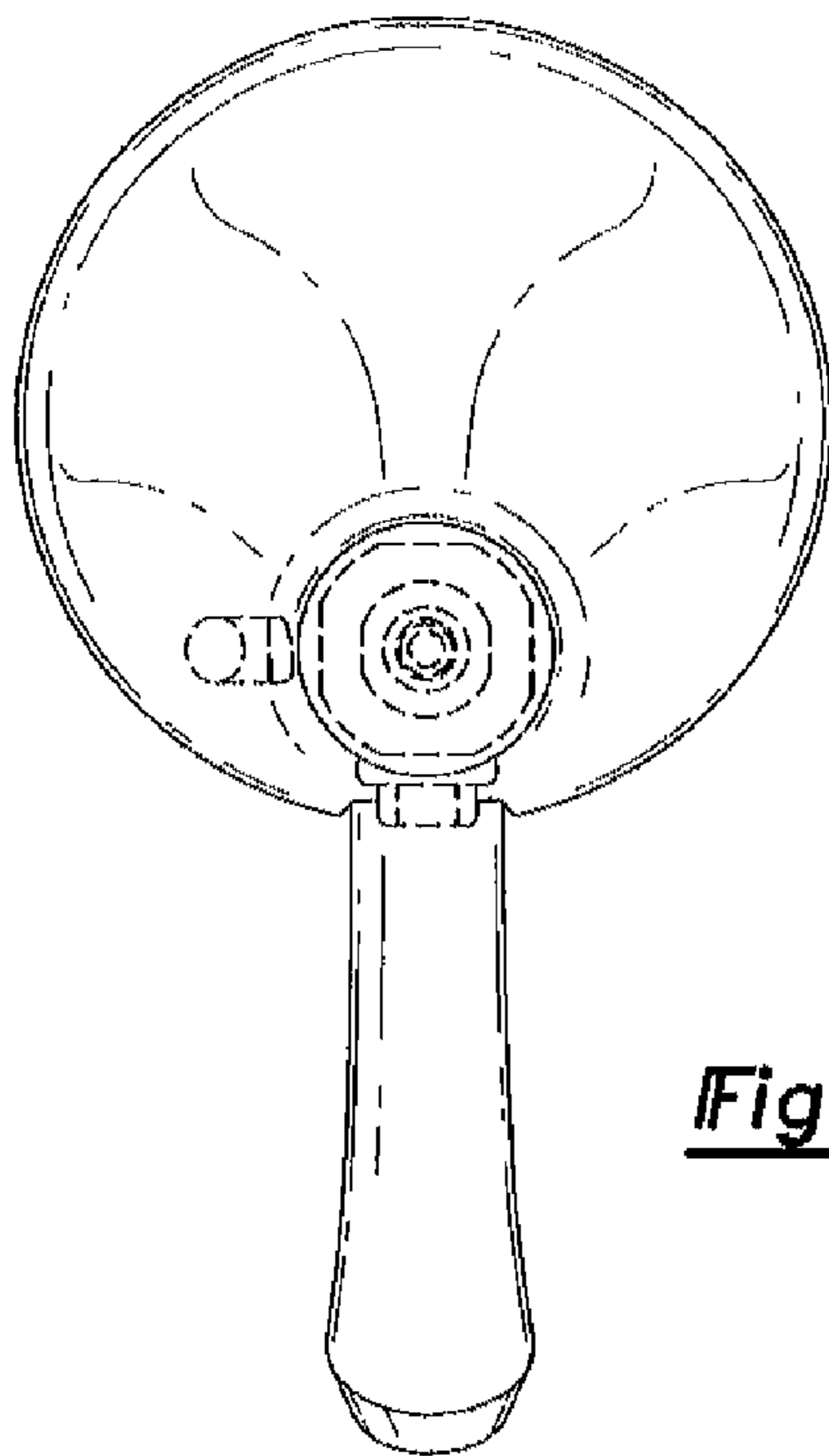


Fig-7