



US00D674040S

(12) **United States Design Patent**  
**Chibitty**

(10) **Patent No.:** **US D674,040 S**

(45) **Date of Patent:** **\*\* Jan. 8, 2013**

(54) **SHOWERHEAD**

D562,944 S \* 2/2008 Pan ..... D23/229

(75) Inventor: **Rachelle Chibitty**, West Lafayette, IN (US)

\* cited by examiner

(73) Assignee: **Masco Corporation of Indiana**, Indianapolis, IN (US)

*Primary Examiner* — Robin V Webster

(74) *Attorney, Agent, or Firm* — Edgar A. Zarins; Nirav D. Parikh; Lora J. Granetzdoerffer

(\*\*) Term: **14 Years**

(57) **CLAIM**

The ornamental design for a showerhead, as shown and described.

(21) Appl. No.: **29/417,962**

**DESCRIPTION**

(22) Filed: **Apr. 11, 2012**

(51) **LOC (9) Cl.** ..... **23-01**

(52) **U.S. Cl.** ..... **D23/213**

(58) **Field of Classification Search** ..... D23/213,  
D23/223, 226, 229, 230, 228; 4/615; 239/282-283,  
239/462

See application file for complete search history.

FIG. 1 is a perspective view of a showerhead showing my new design;

FIG. 2 is a top view thereof;

FIG. 3 is a front elevational view thereof;

FIG. 4 is a bottom view thereof;

FIG. 5 is a right side view thereof;

FIG. 6 is a left side view thereof; and,

FIG. 7 is a rear view thereof.

The broken line showing in FIGS. 1, 2 and 4-7 is included for the purpose of illustrating and forms no part of the claimed design.

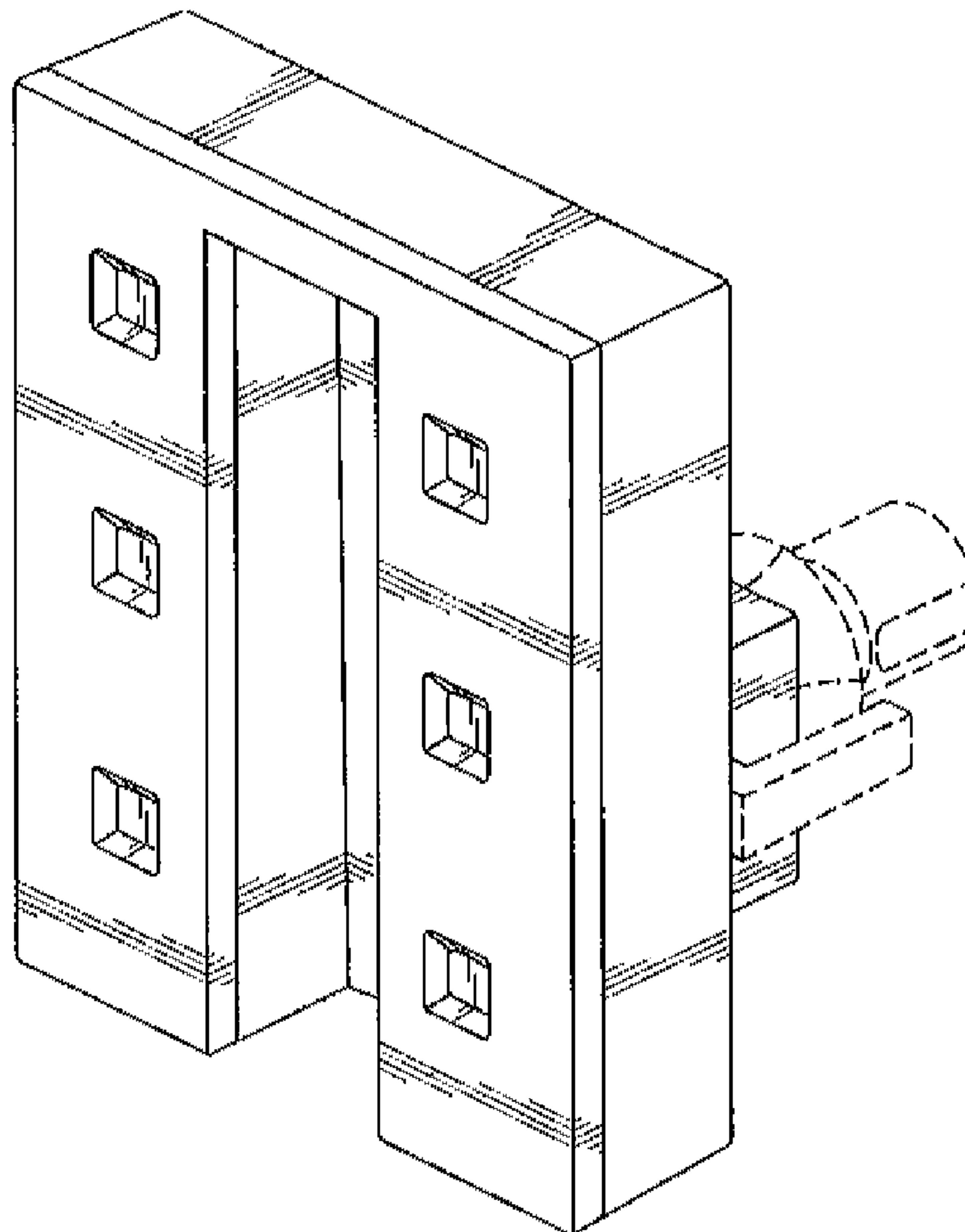
(56) **References Cited**

U.S. PATENT DOCUMENTS

D516,169 S \* 2/2006 Wu ..... D23/229

D558,303 S \* 12/2007 Williams et al. .... D23/229

**1 Claim, 2 Drawing Sheets**



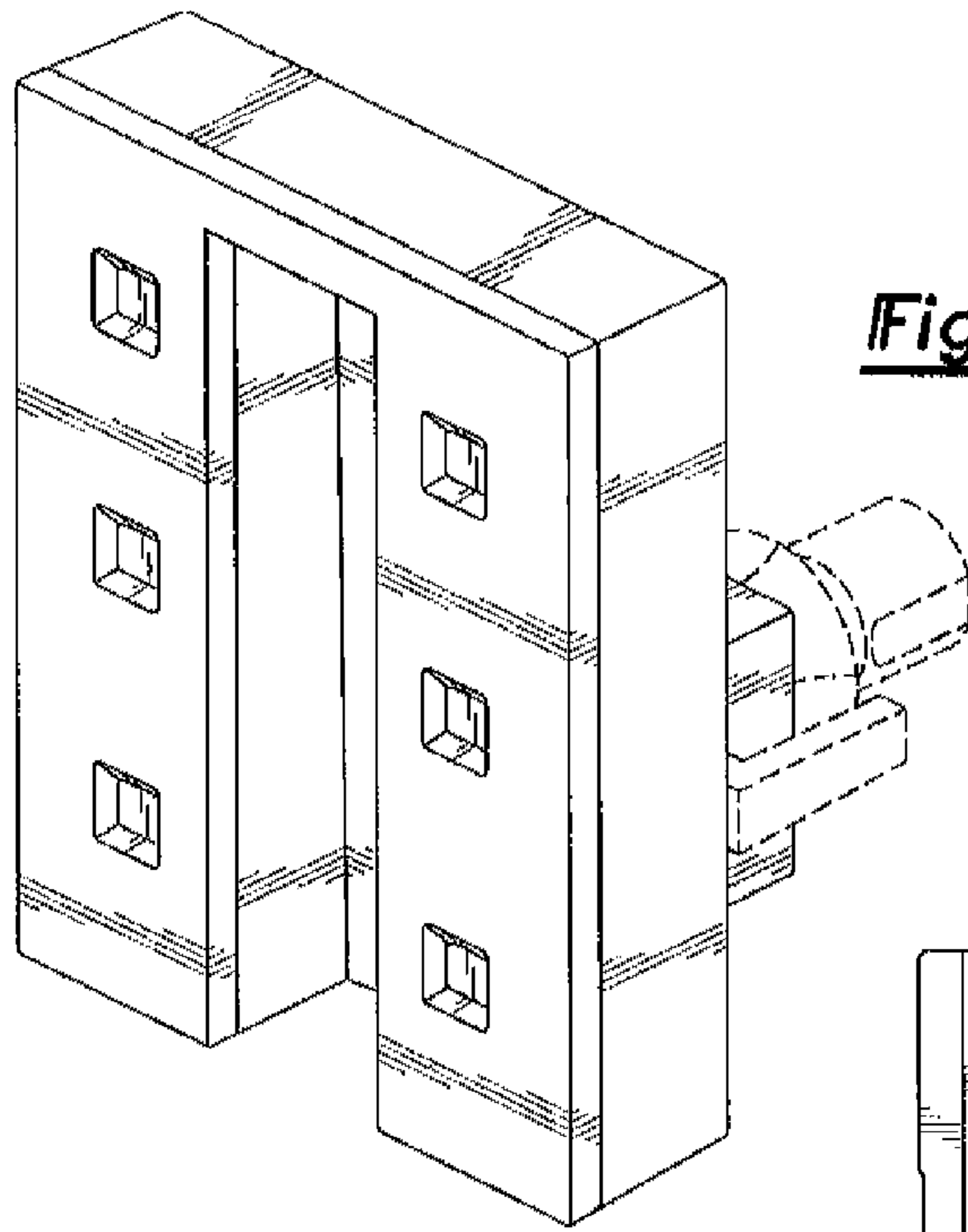


Fig-1

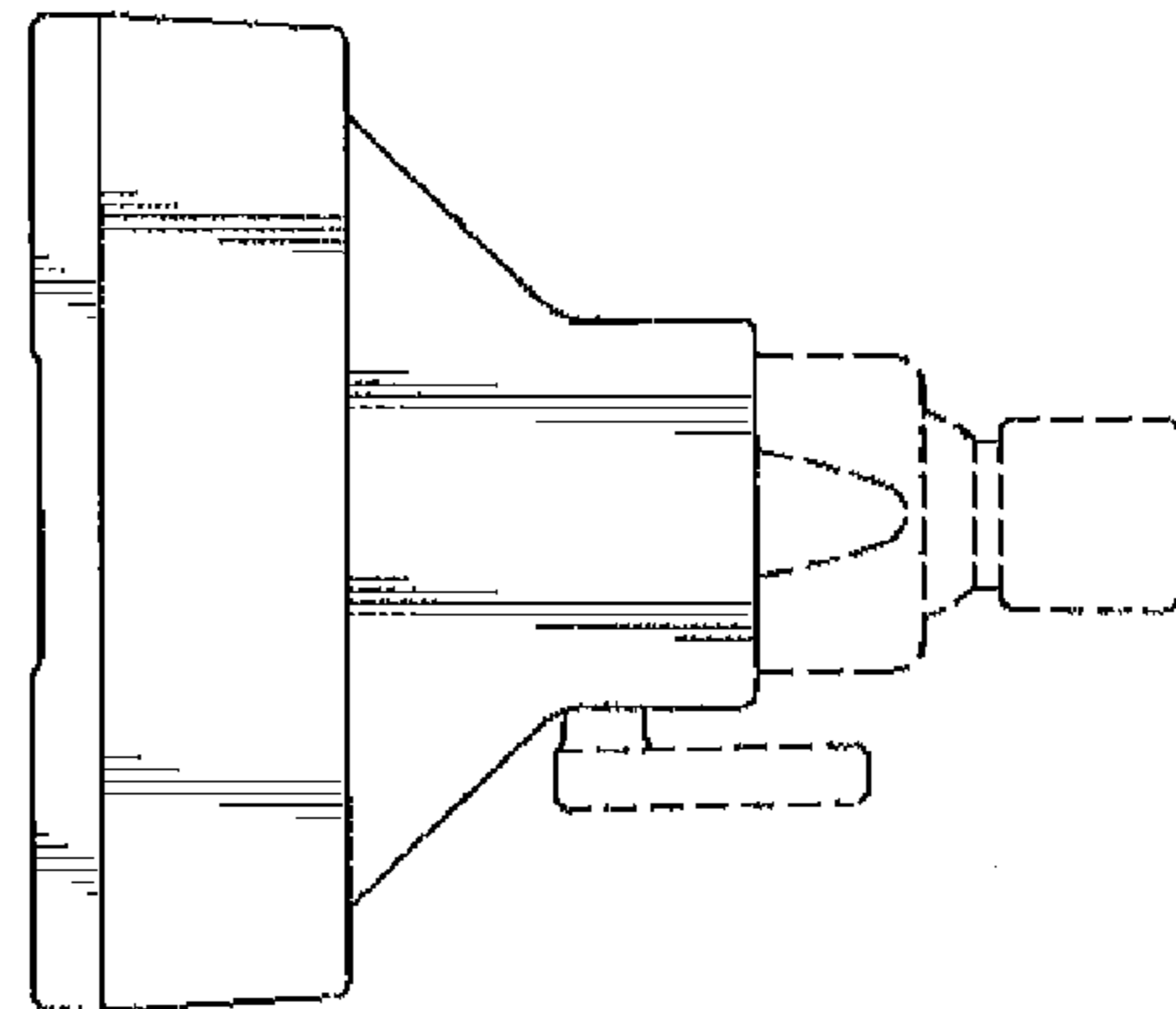


Fig-2

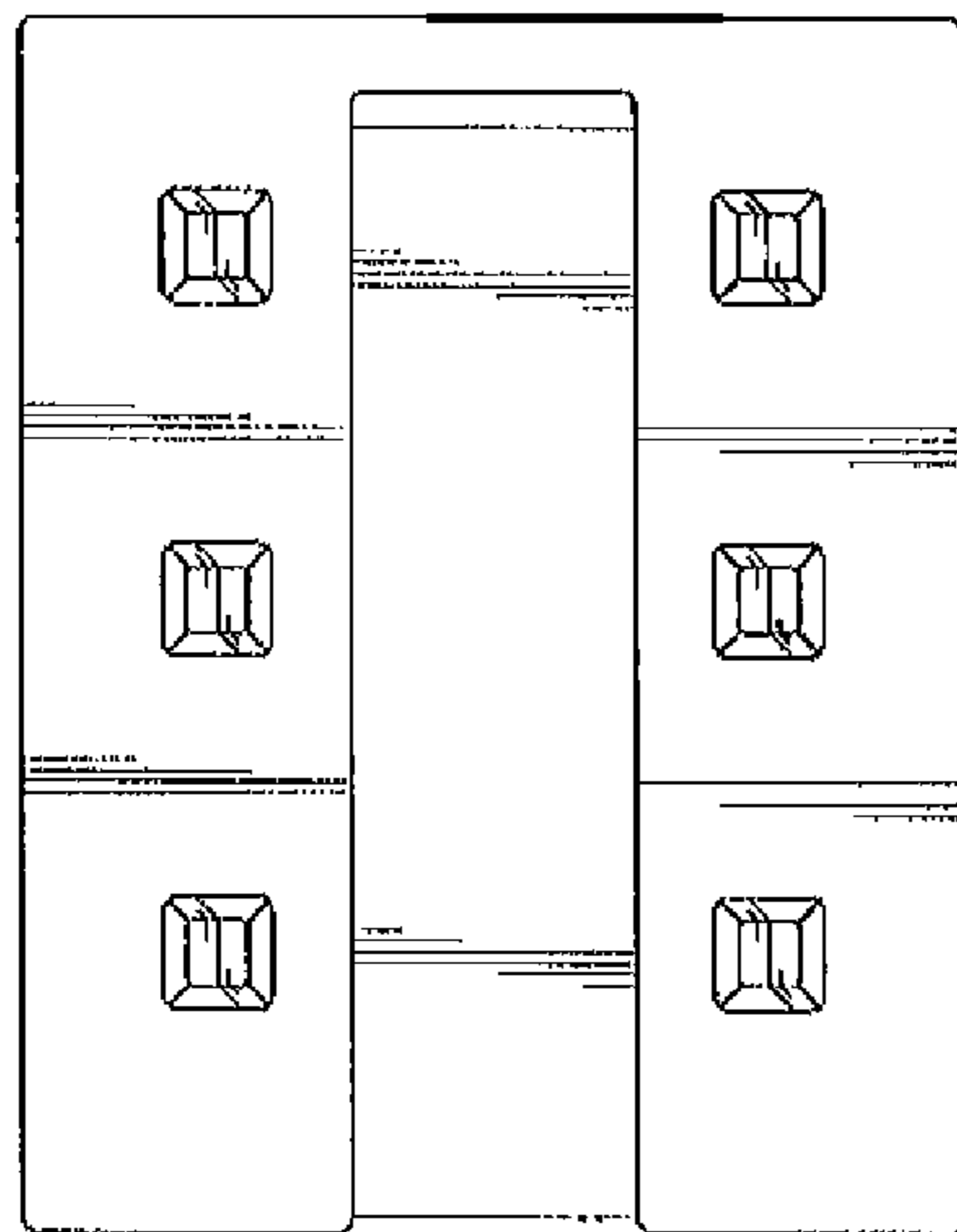


Fig-3

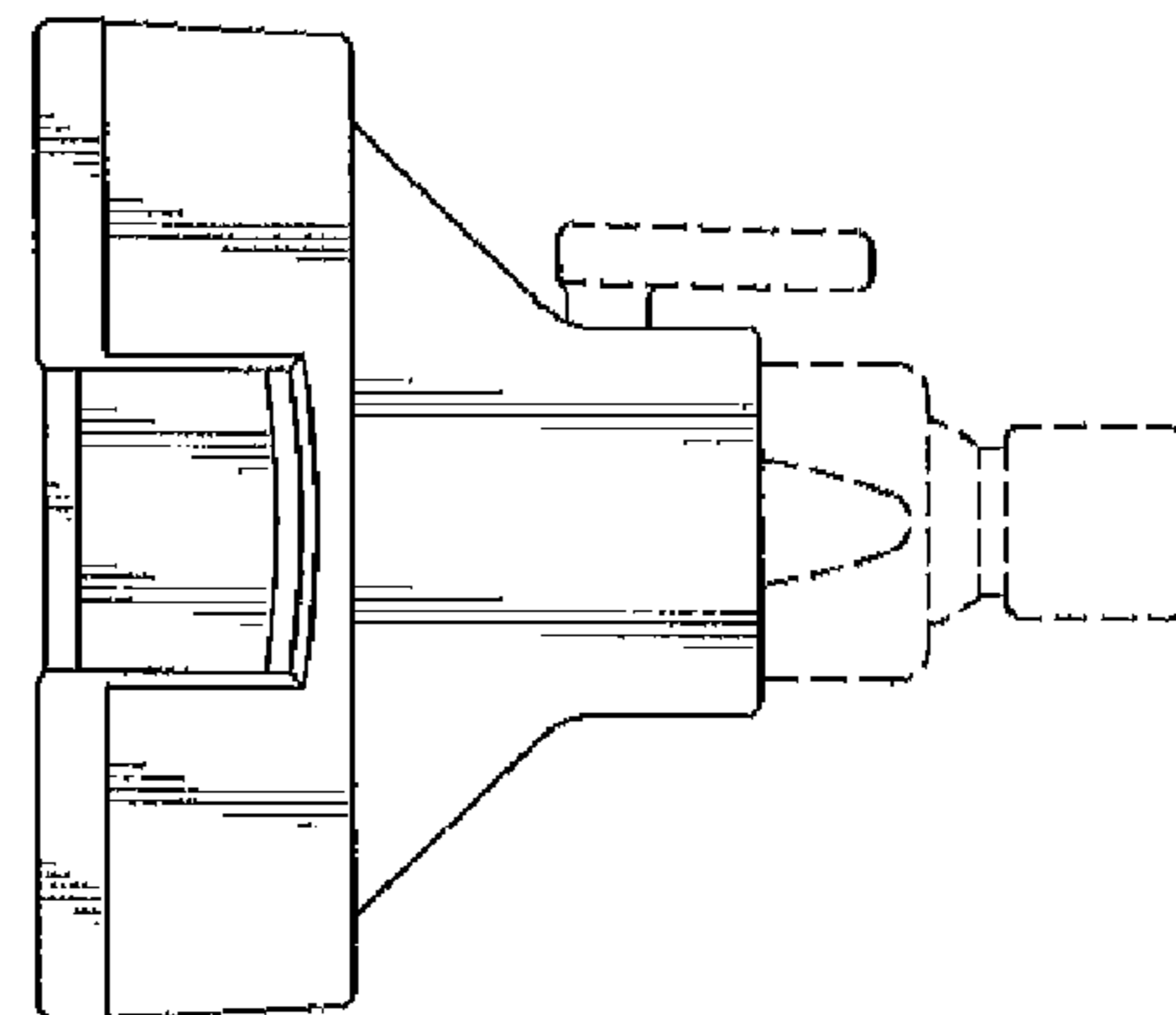


Fig-4

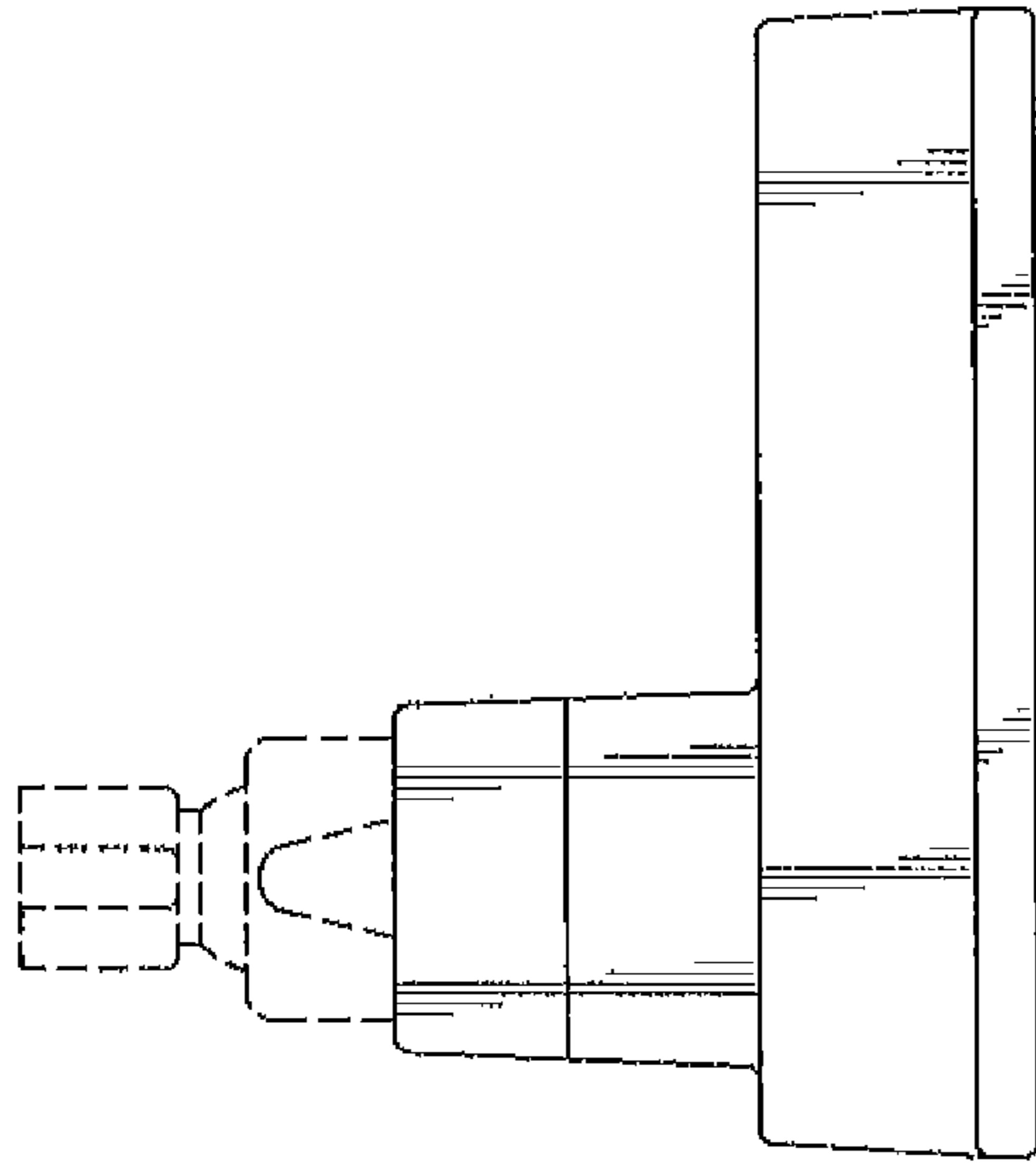


Fig-5

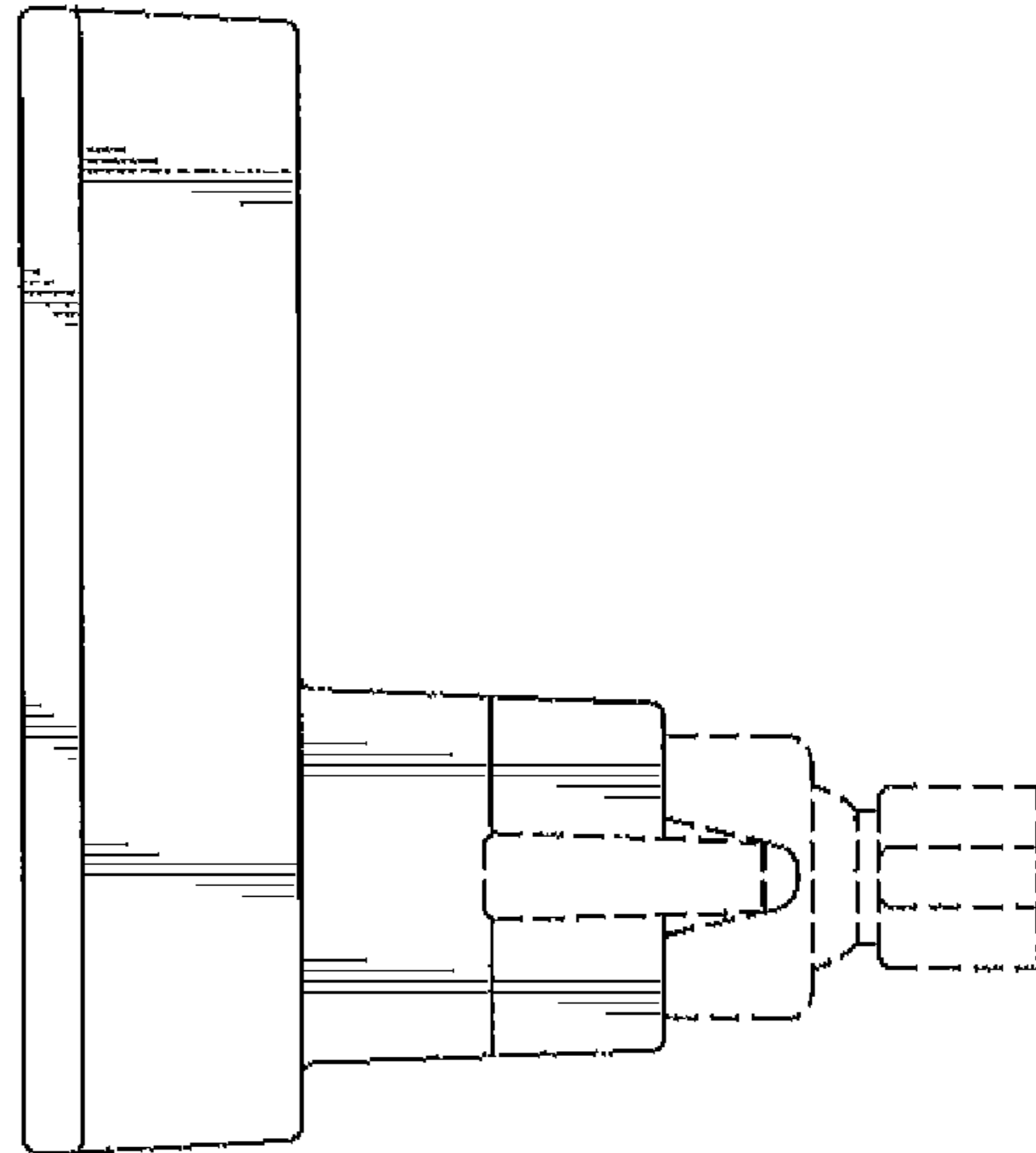


Fig-6

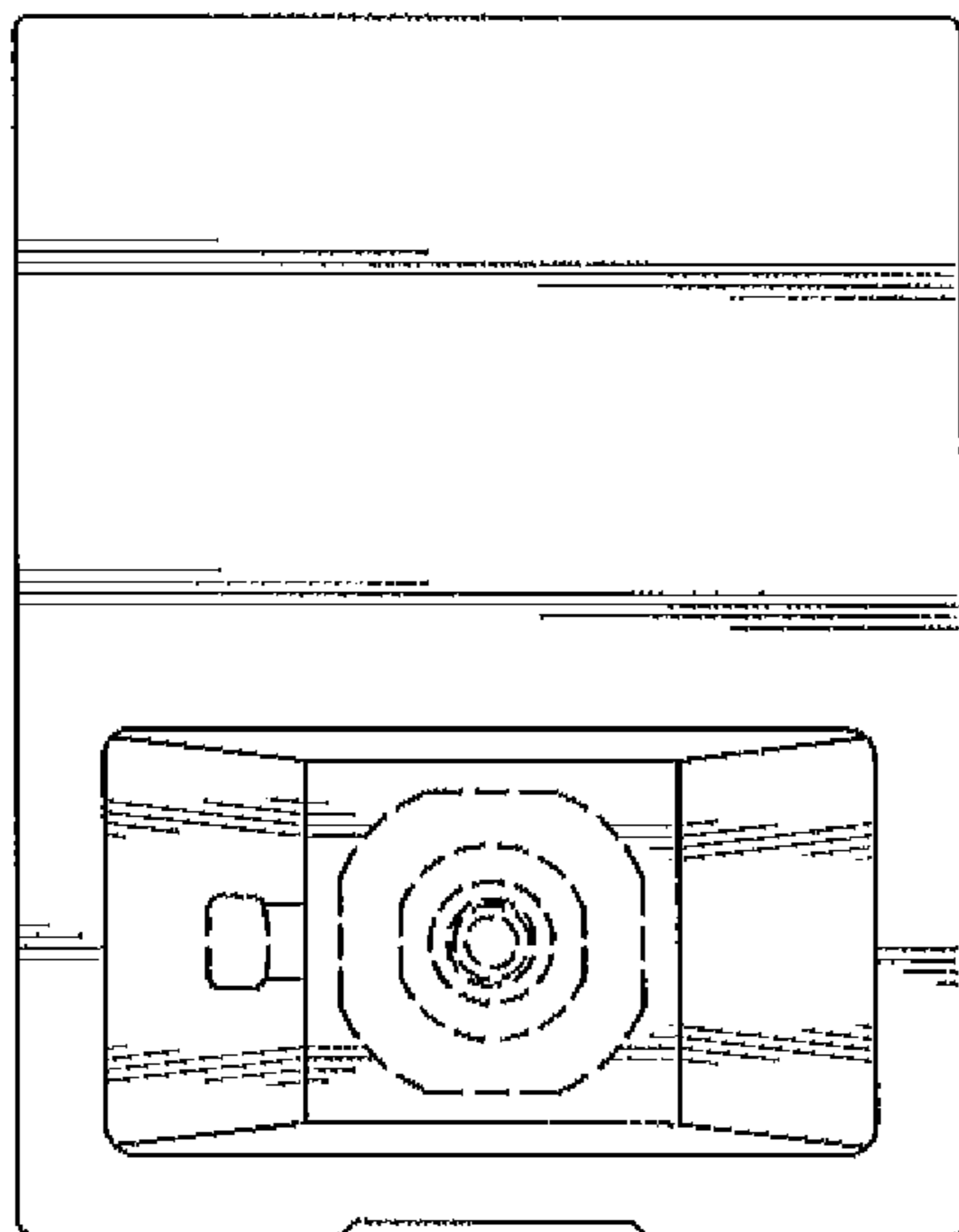


Fig-7