



US00D674039S

(12) **United States Design Patent**
Chibitty

(10) **Patent No.:** **US D674,039 S**

(45) **Date of Patent:** **** Jan. 8, 2013**

(54) **SHOWER**

(75) Inventor: **Rachelle Chibitty**, West Lafayette, IN (US)

(73) Assignee: **Masco Corporation of Indiana**, Indianapolis, IN (US)

(**) Term: **14 Years**

(21) Appl. No.: **29/417,959**

(22) Filed: **Apr. 11, 2012**

(51) **LOC (9) Cl.** **23-01**

(52) **U.S. Cl.** **D23/213**

(58) **Field of Classification Search** D23/213,
D23/223, 226, 229, 230, 228; 4/615; 239/282-283,
239/462

See application file for complete search history.

(56) **References Cited**

U.S. PATENT DOCUMENTS

D495,028 S *	8/2004	Jorgensen et al.	D23/223
D575,845 S *	8/2008	Lobermeier et al.	D23/223
D578,181 S *	10/2008	Pan	D23/213
D604,392 S *	11/2009	Schoenherr et al.	D23/223
D652,108 S *	1/2012	Eads et al.	D23/223

D652,109 S *	1/2012	Nichols	D23/223
D652,110 S *	1/2012	Nichols	D23/223
D652,894 S *	1/2012	Nichols	D23/223
D655,388 S *	3/2012	Schoenherr et al.	D23/223
D655,389 S *	3/2012	Schoenherr et al.	D23/223
D656,219 S *	3/2012	Su	D23/223
D660,940 S *	5/2012	Flowers et al.	D23/223

* cited by examiner

Primary Examiner — Robin V Webster

(74) *Attorney, Agent, or Firm* — Edgar A. Zarins; Nirav D. Farikh; Lora J. Graentzdoerffer

(57) **CLAIM**

The ornamental design for a shower, as shown and described.

DESCRIPTION

FIG. 1 is a perspective view of a shower showing my new design;

FIG. 2 is a front elevational view thereof;

FIG. 3 is a top plan view thereof;

FIG. 4 is a bottom view thereof;

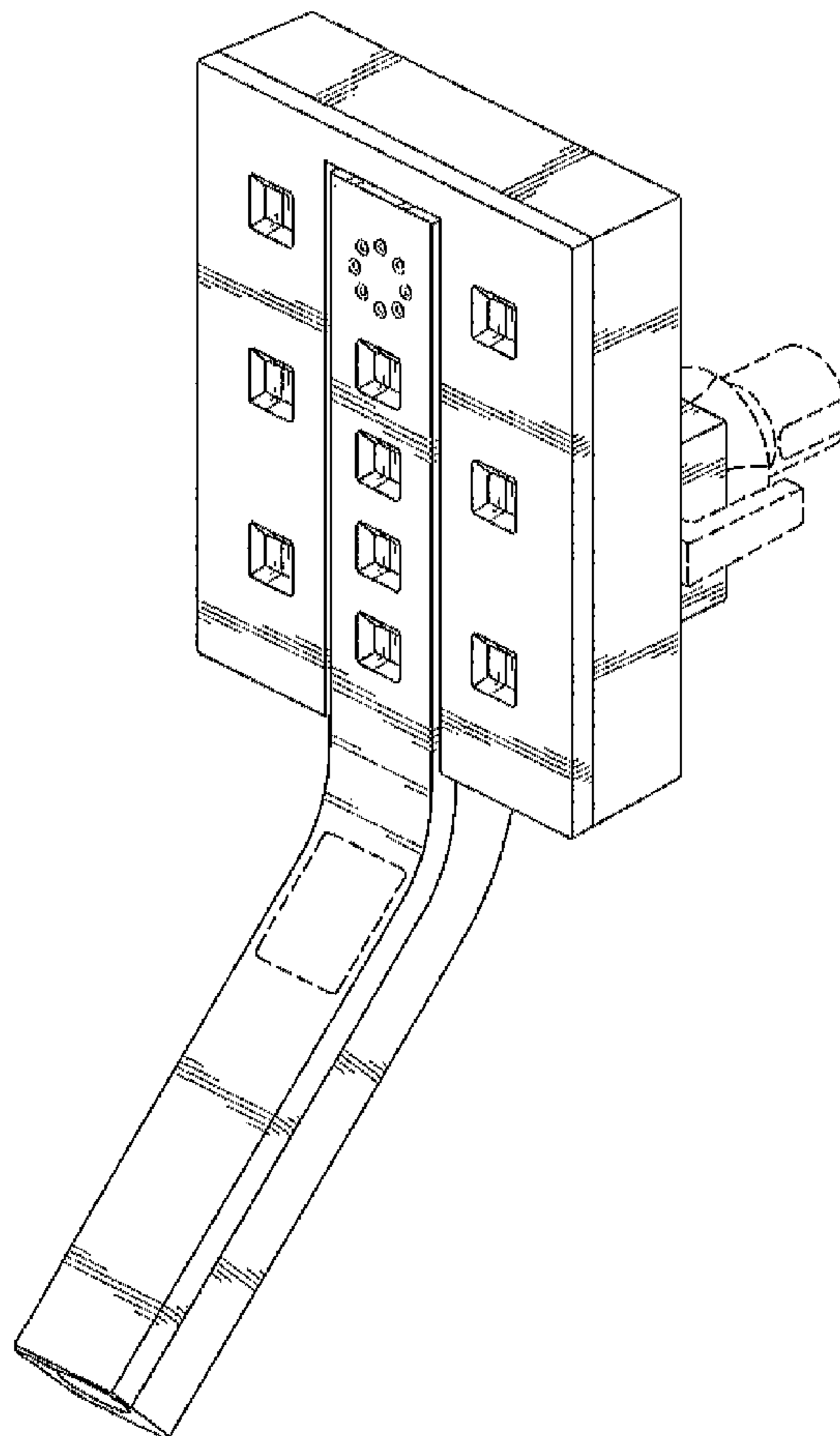
FIG. 5 is a right side view thereof;

FIG. 6 is a left side view thereof; and,

FIG. 7 is a rear view thereof.

The broken line showing in FIGS. 1-7 is included for the purpose of illustrating and forms no part of the claimed design.

1 Claim, 2 Drawing Sheets



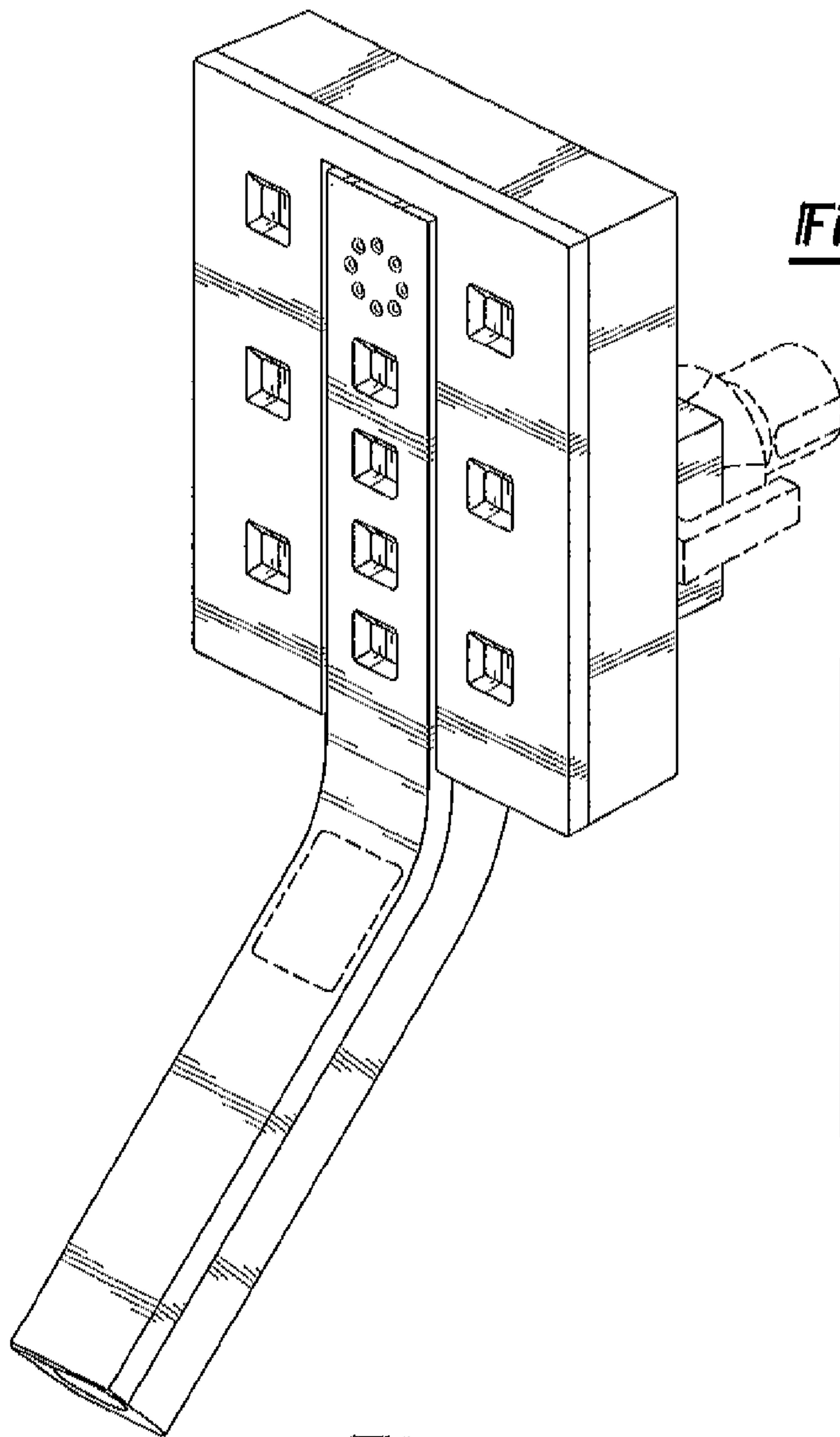


Fig-1

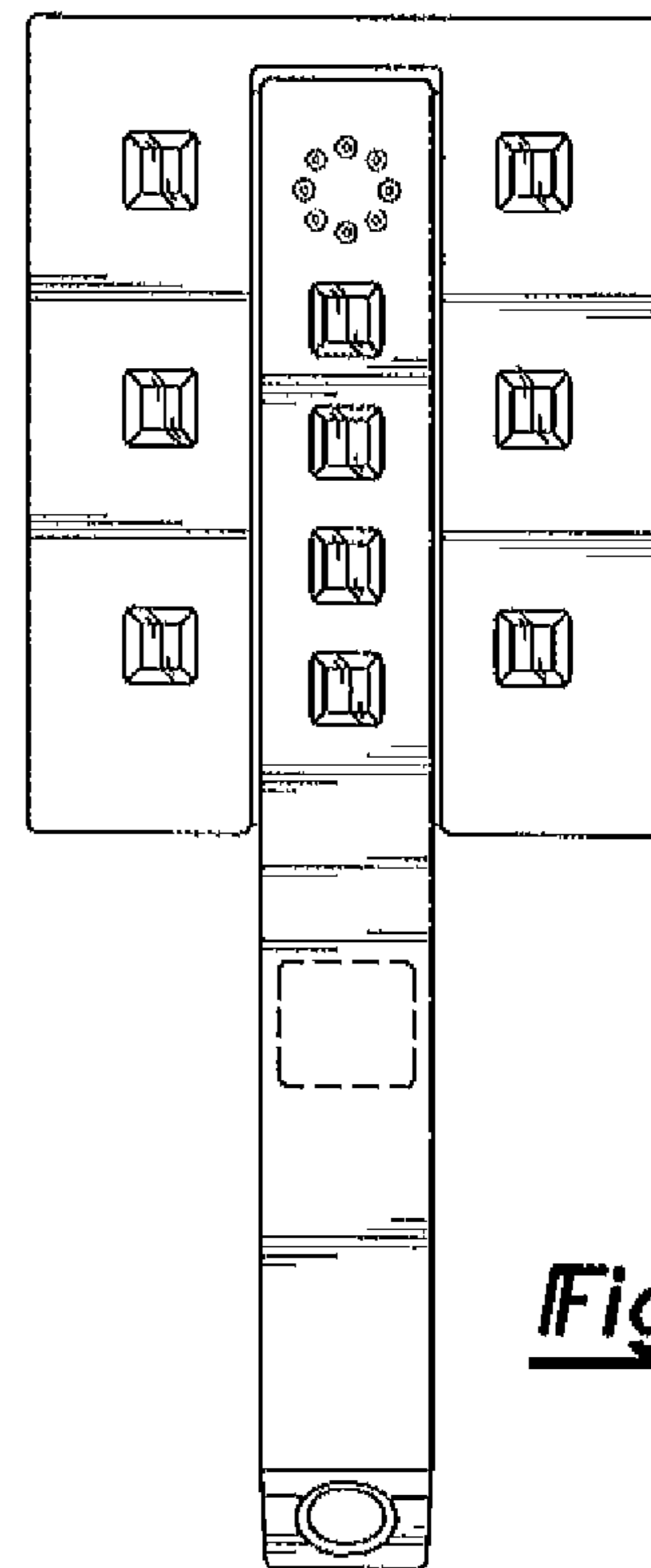


Fig-2

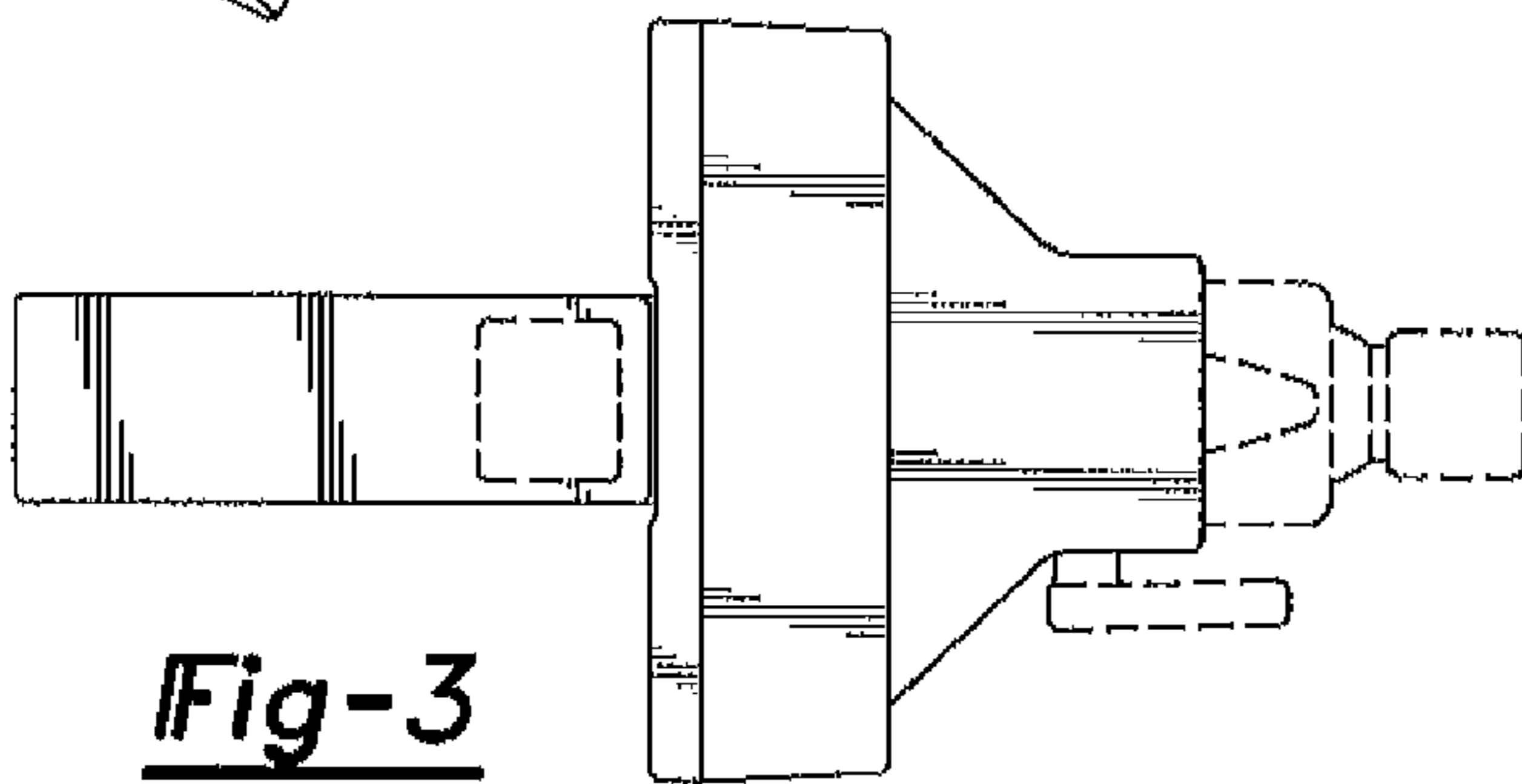


Fig-3

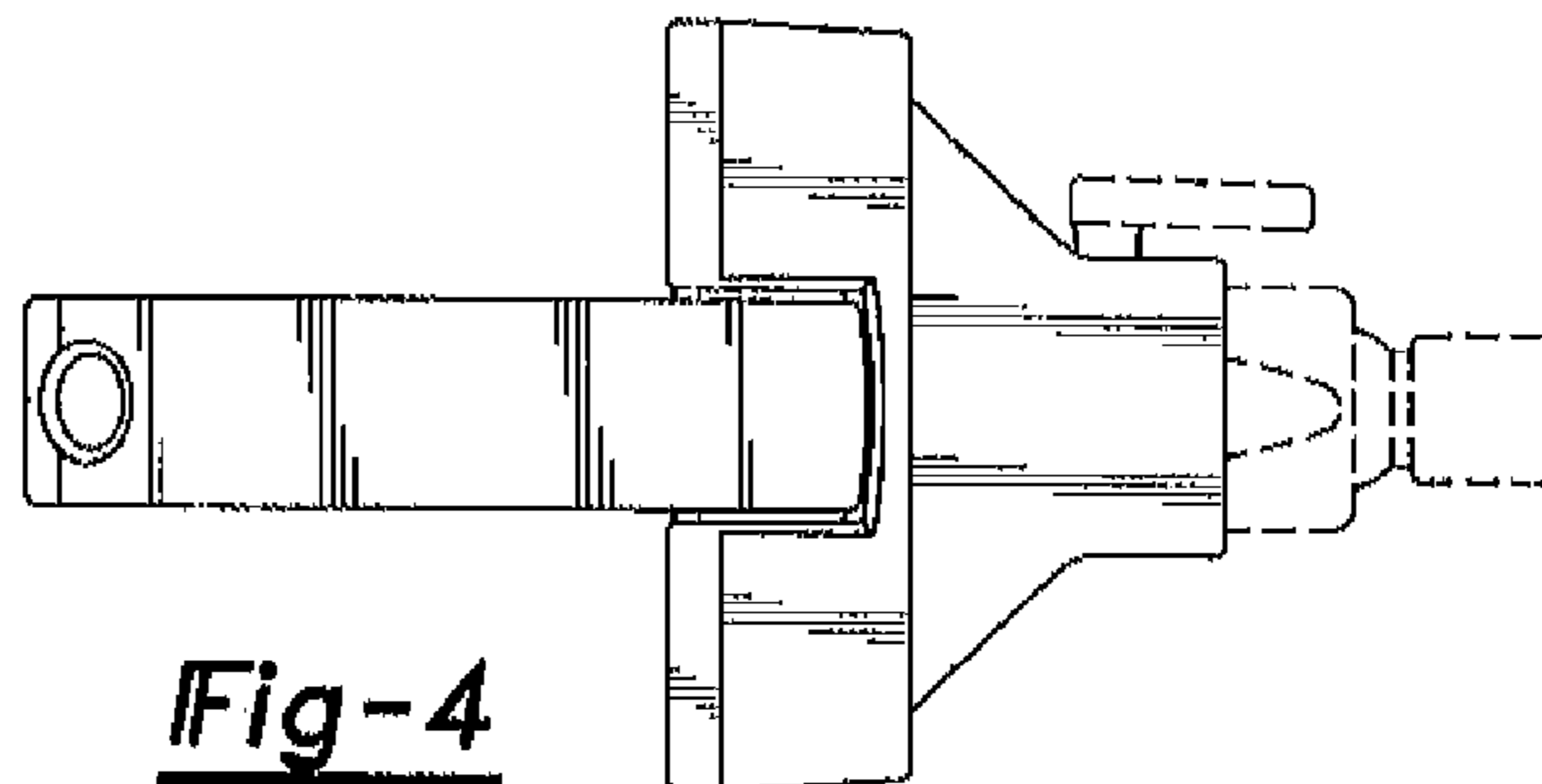


Fig-4

