

US00D674036S

(12) **United States Design Patent**
Jamison et al.

(10) **Patent No.:** **US D674,036 S**

(45) **Date of Patent:** **** Jan. 8, 2013**

(54) **COUNTERTOP WATER FILTER**

(56) **References Cited**

(75) Inventors: **Jay H. Jamison**, Woodinville, WA (US);
Michael C. Mossman, Redmond, WA
(US); **Bryan S. Cabatic**, Shoreline, WA
(US); **Adam C. Weisgerber**, Bellevue,
WA (US); **Mark A. Taylor**, Seattle, WA
(US); **Blake R. Stancik**, Mukilteo, WA
(US)

U.S. PATENT DOCUMENTS

D453,951	S	*	2/2002	Kim	D23/207
6,712,965	B1	*	3/2004	Aalto et al.	210/266
D504,935	S	*	5/2005	Taneike et al.	D23/207
D521,107	S	*	5/2006	Gaignet et al.	D23/207
D548,815	S	*	8/2007	Frisell	D23/207

* cited by examiner

Primary Examiner — Robin V Webster

(73) Assignee: **Rena Ware International, Inc.**,
Bellevue, WA (US)

(74) *Attorney, Agent, or Firm* — DWC Law Firm, P.S.;
David Chen

(**) Term: **14 Years**

(57) **CLAIM**

The ornamental design for a countertop water filter, as shown
and described.

(21) Appl. No.: **29/400,315**

DESCRIPTION

(22) Filed: **Aug. 26, 2011**

FIG. 1 is a top perspective view of the countertop water filter.
FIG. 2 is a front elevation view thereof.
FIG. 3 is a left side elevation view thereof.
FIG. 4 is a right side elevation view thereof.
FIG. 5 is a back elevation view thereof.
FIG. 6 is a top plan view thereof; and,
FIG. 7 is a bottom plan view thereof.
The broken lines are for illustrative purposes only and form
no part of the claimed design.

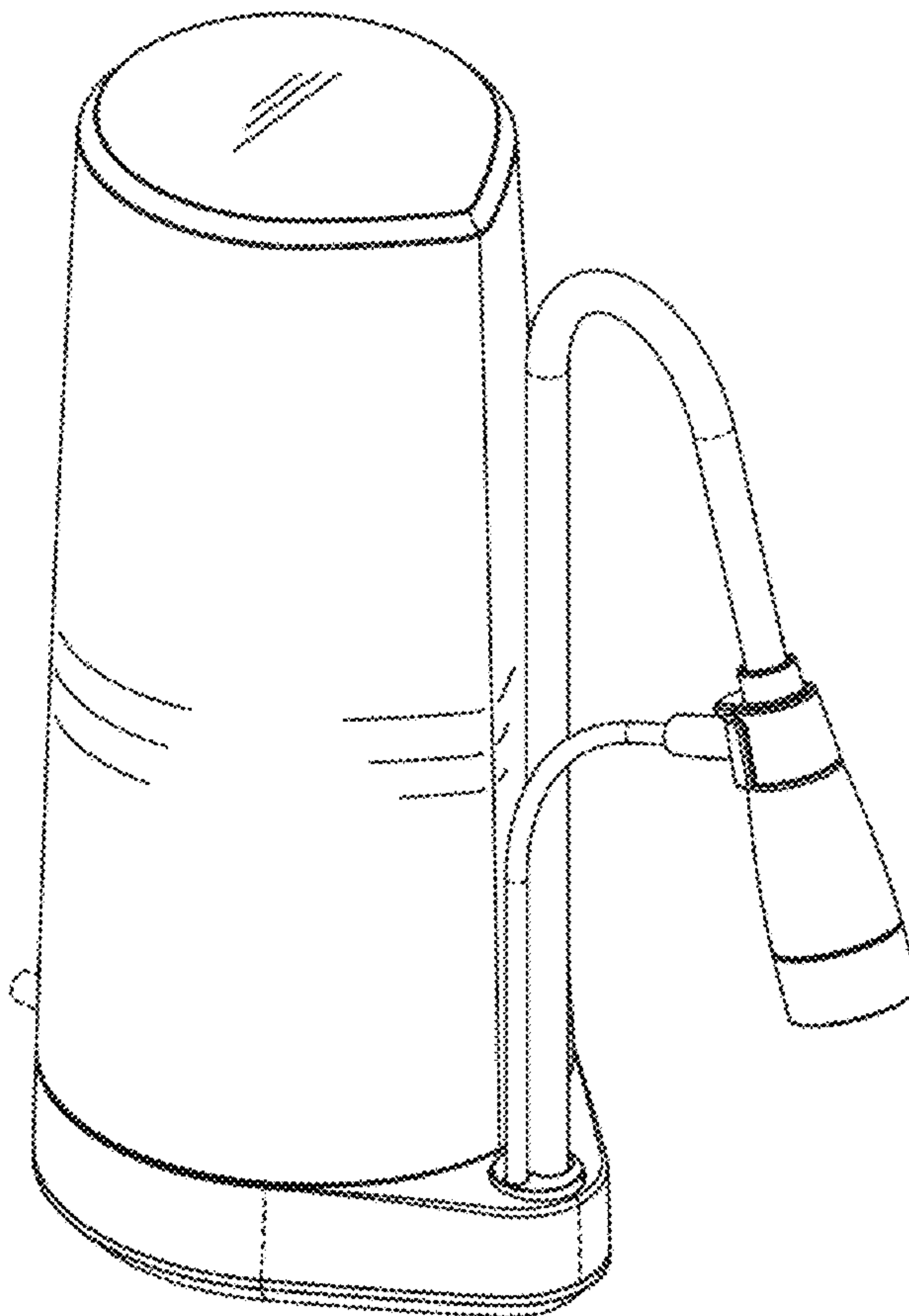
(51) **LOC (9) Cl.** **23-01**

(52) **U.S. Cl.** **D23/209**

(58) **Field of Classification Search** D23/207,
D23/209; 210/435, 241

See application file for complete search history.

1 Claim, 7 Drawing Sheets



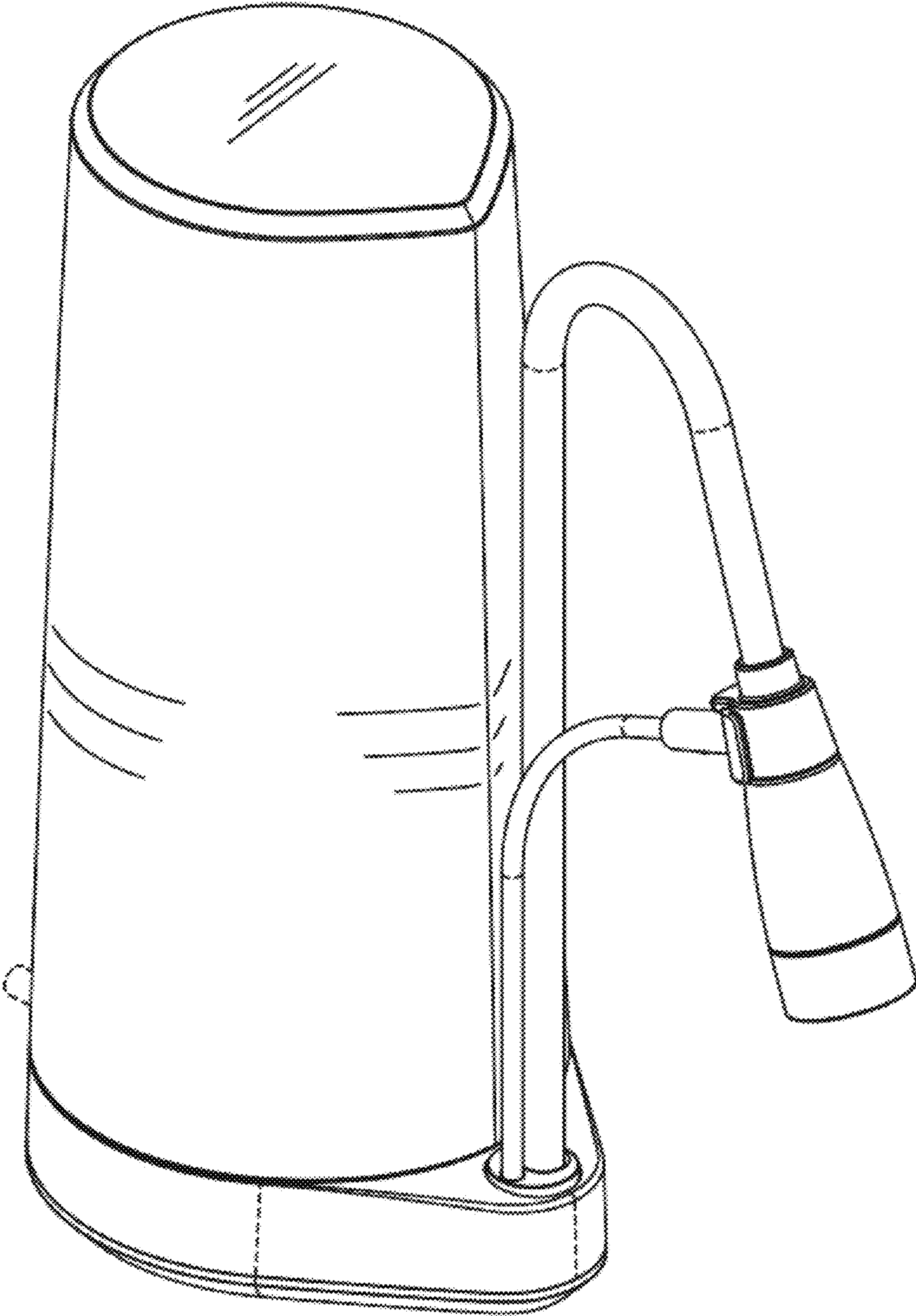


FIG. 1

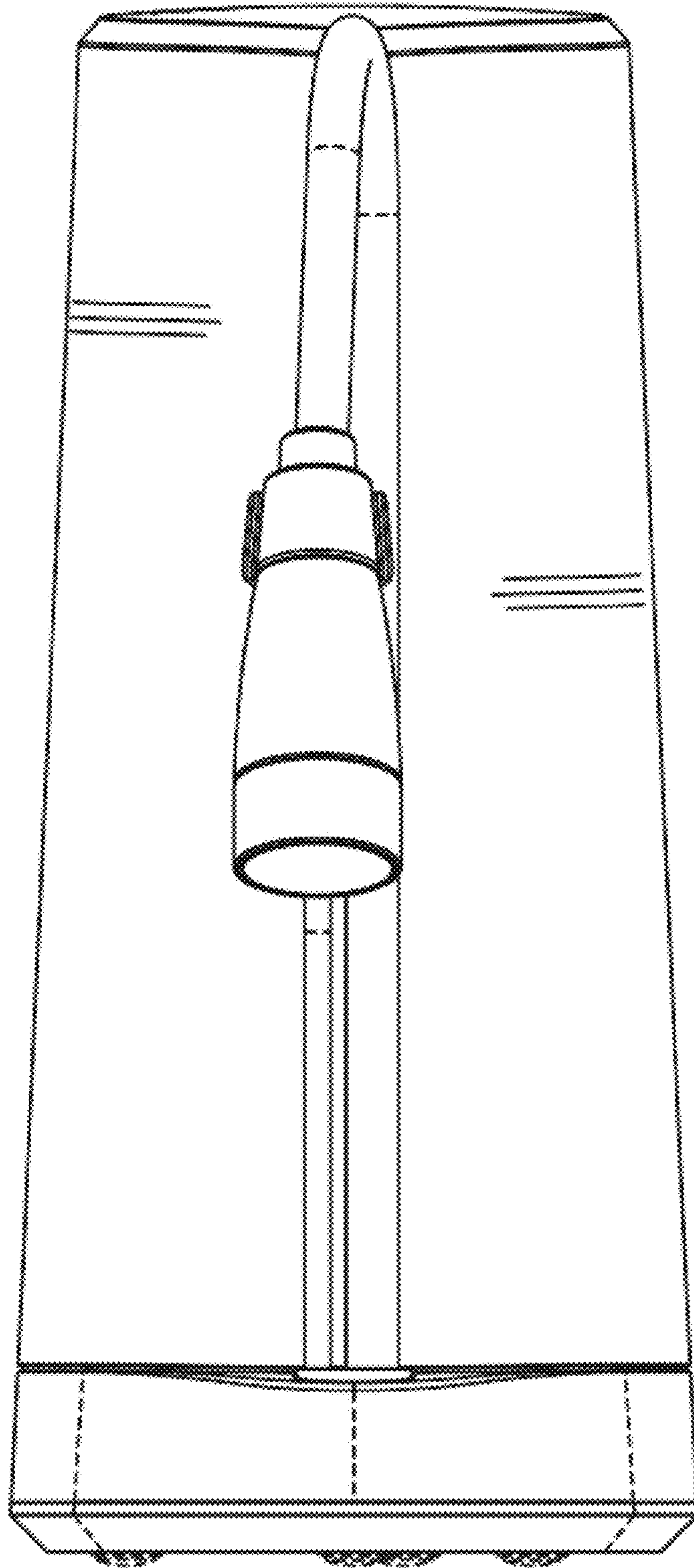


FIG. 2

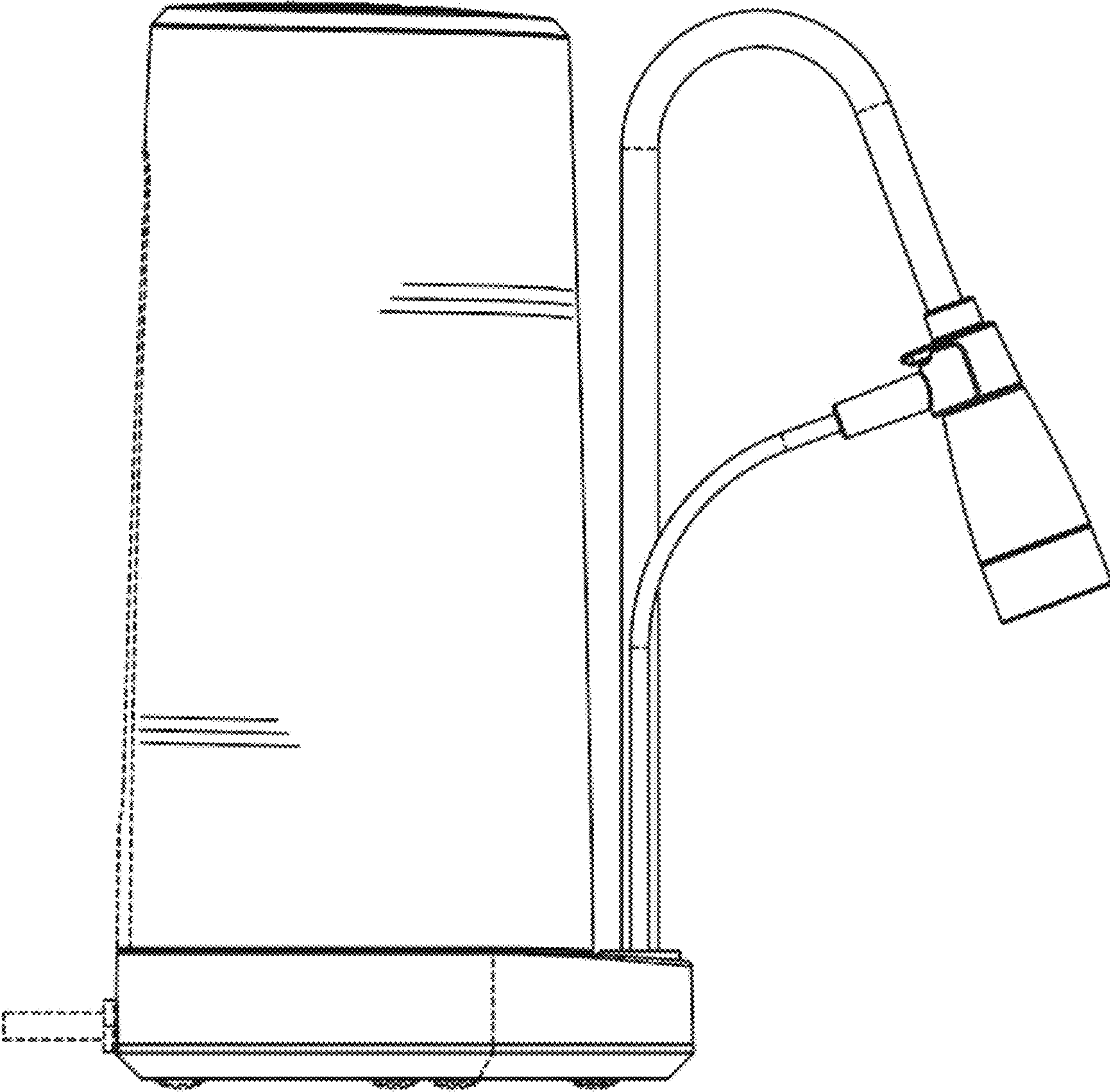


FIG. 3

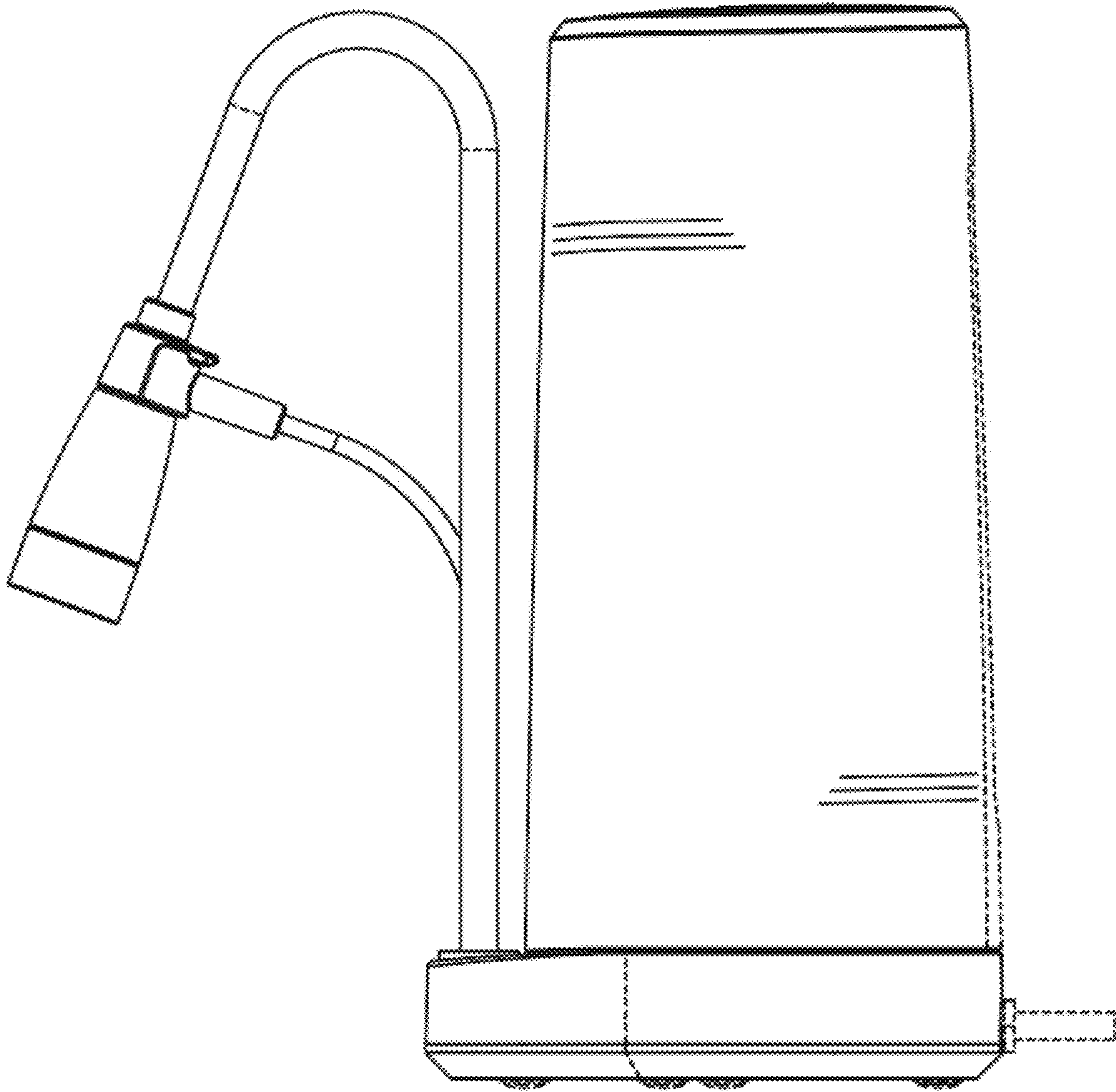


FIG. 4

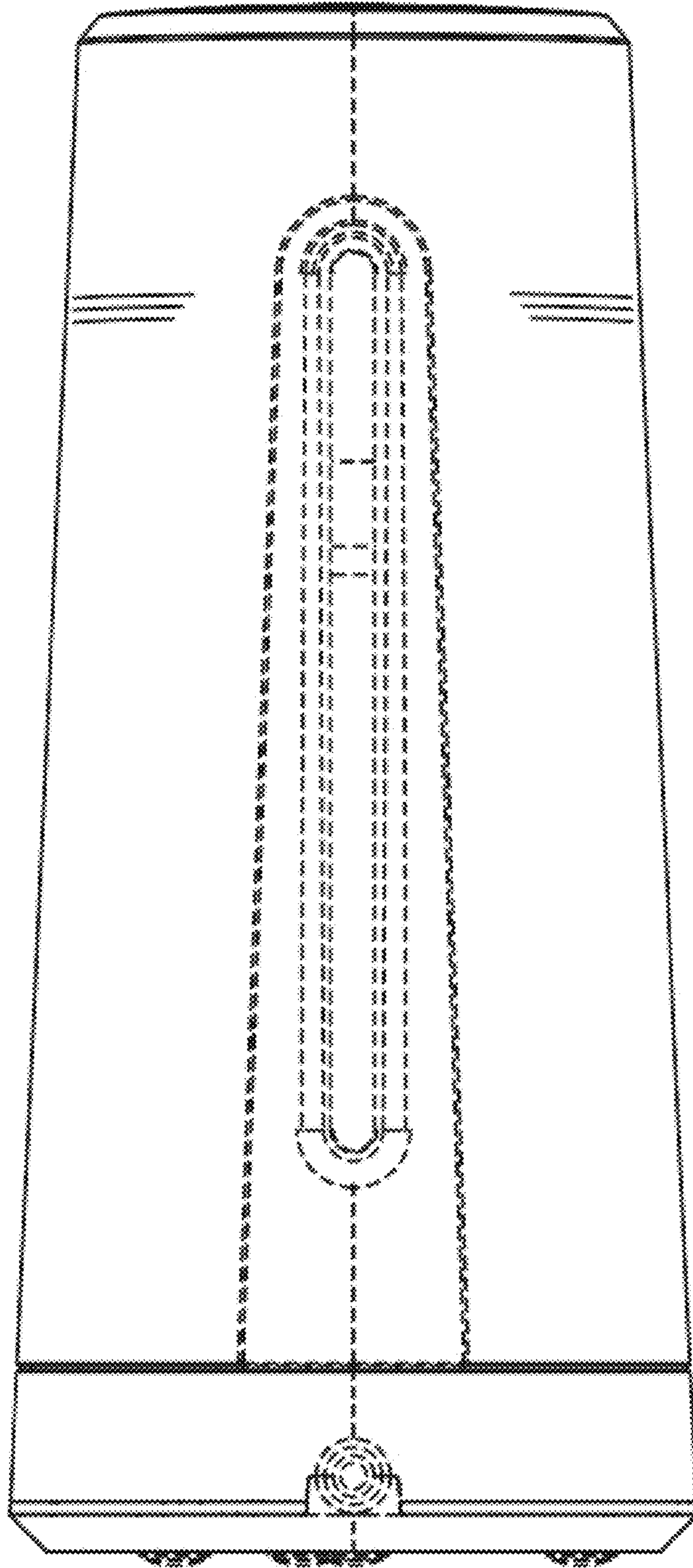


FIG. 5

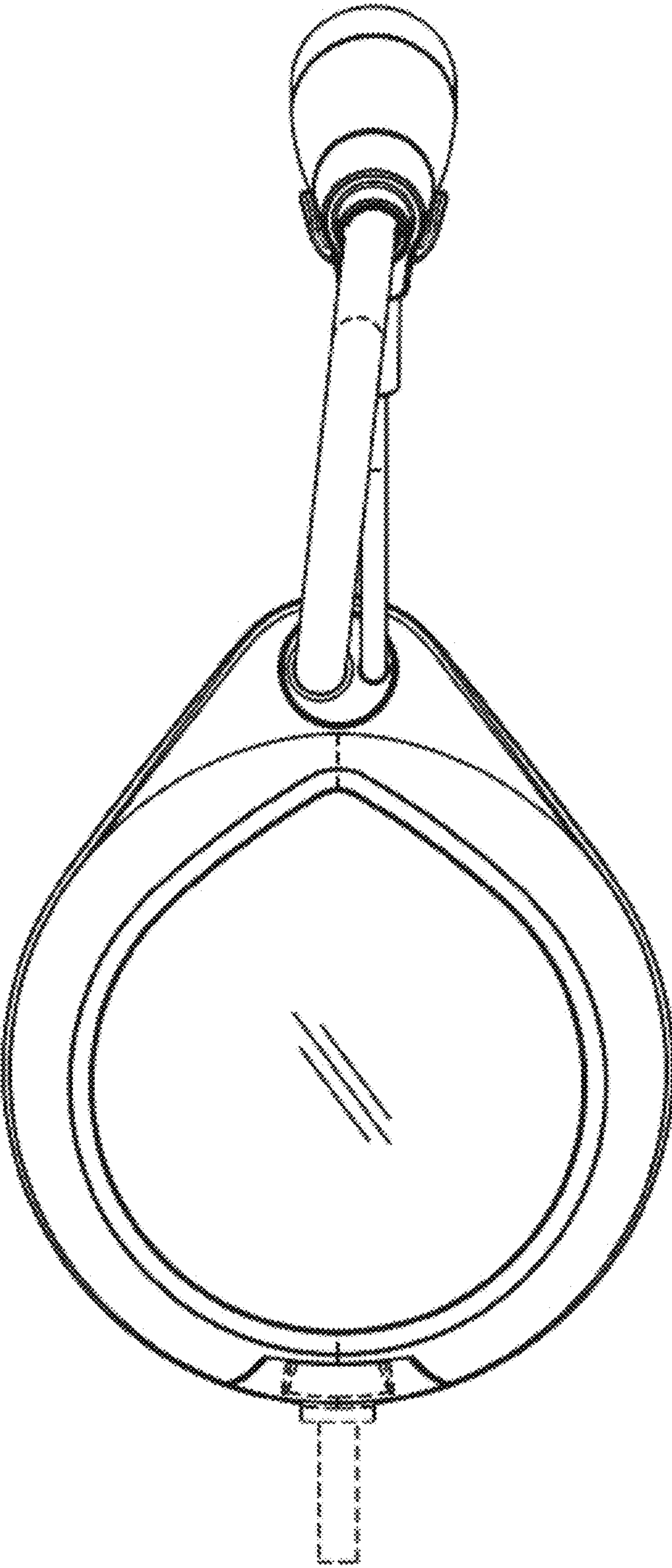


FIG. 6

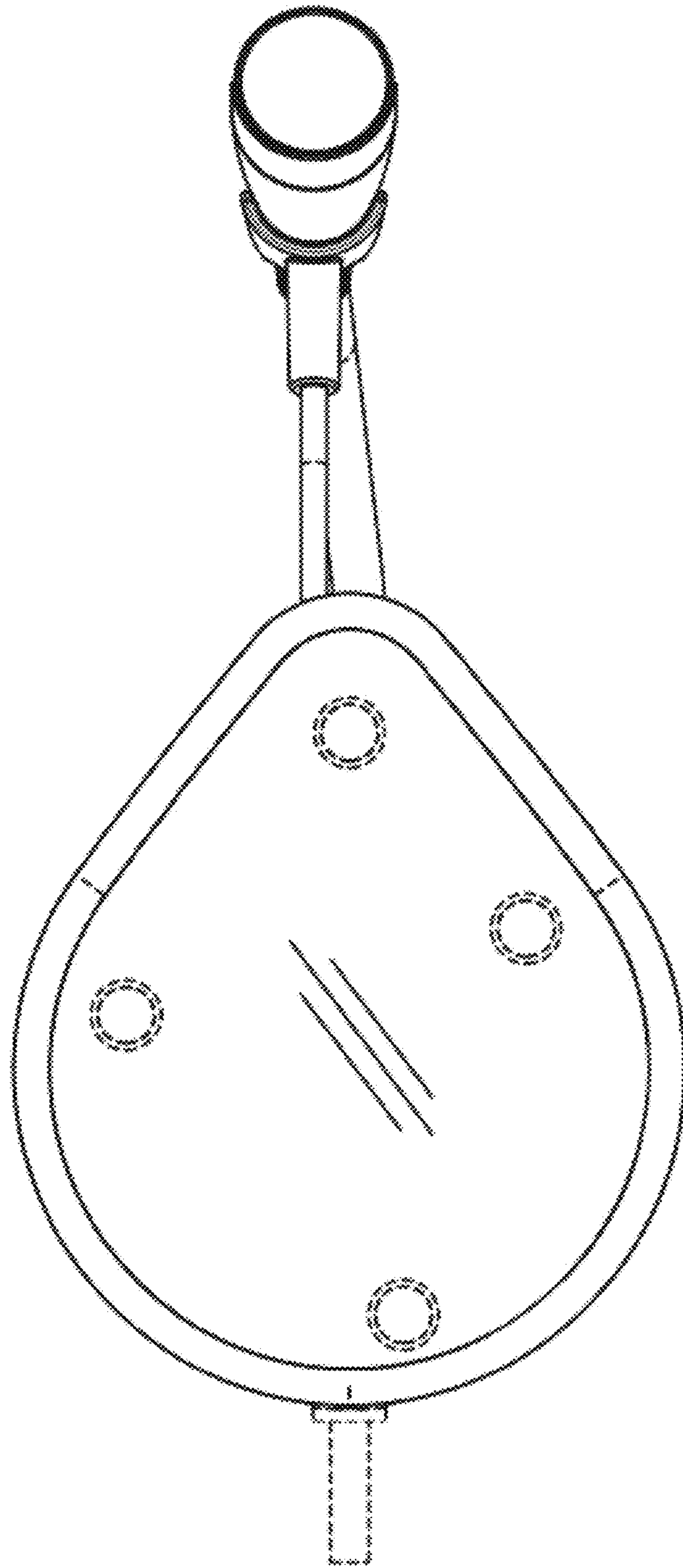


FIG. 7