



US00D674034S

(12) **United States Design Patent**
Oliver

(10) **Patent No.:** **US D674,034 S**

(45) **Date of Patent:** **** Jan. 8, 2013**

(54) **SIX-SIDED HANDRAIL FOR FIREARMS**

(75) Inventor: **Russell Oliver**, Sandy, UT (US)

(73) Assignee: **O.S.S. Holdings, LLC**, Murray, UT (US)

(**) Term: **14 Years**

(21) Appl. No.: **29/377,086**

(22) Filed: **Oct. 15, 2010**

(51) **LOC (9) Cl.** **22-01**

(52) **U.S. Cl.** **D22/108**

(58) **Field of Classification Search** D22/100,
D22/101, 103, 104, 108, 199; D21/572-573;
42/40, 41, 42.01, 42.02, 42.03, 43, 44, 45,
42/57, 69.01, 71.02, 72, 100; 362/110; 124/31-37
See application file for complete search history.

(56) **References Cited**

U.S. PATENT DOCUMENTS

6,895,708	B2 *	5/2005	Kim et al.	42/72
D513,633	S	1/2006	Ding	
D516,157	S	2/2006	Ding	
7,059,076	B2 *	6/2006	Stoner et al.	42/75.01
D556,289	S	11/2007	Yu	
7,458,179	B2	12/2008	Swan	
D590,473	S *	4/2009	Fitzpatrick et al.	D22/103
7,685,758	B2	3/2010	Romer	
7,707,762	B1	5/2010	Swan	
D637,680	S *	5/2011	Peterson et al.	D22/108
7,938,055	B2 *	5/2011	Hochstrate et al.	89/193
D643,086	S *	8/2011	Peterson et al.	D22/103

8,051,595	B2 *	11/2011	Hochstrate et al.	42/75.01
2006/0010748	A1 *	1/2006	Stoner et al.	42/71.01
2008/0178511	A1 *	7/2008	Storch et al.	42/90
2008/0216380	A1 *	9/2008	Teetzel	42/127
2009/0038198	A1 *	2/2009	Yu	42/90
2010/0037505	A1	2/2010	Romer	
2010/0300277	A1 *	12/2010	Hochstrate et al.	89/179

* cited by examiner

Primary Examiner — Michael A Pratt

(74) *Attorney, Agent, or Firm* — Thorpe North & Western LLP

(57) **CLAIM**

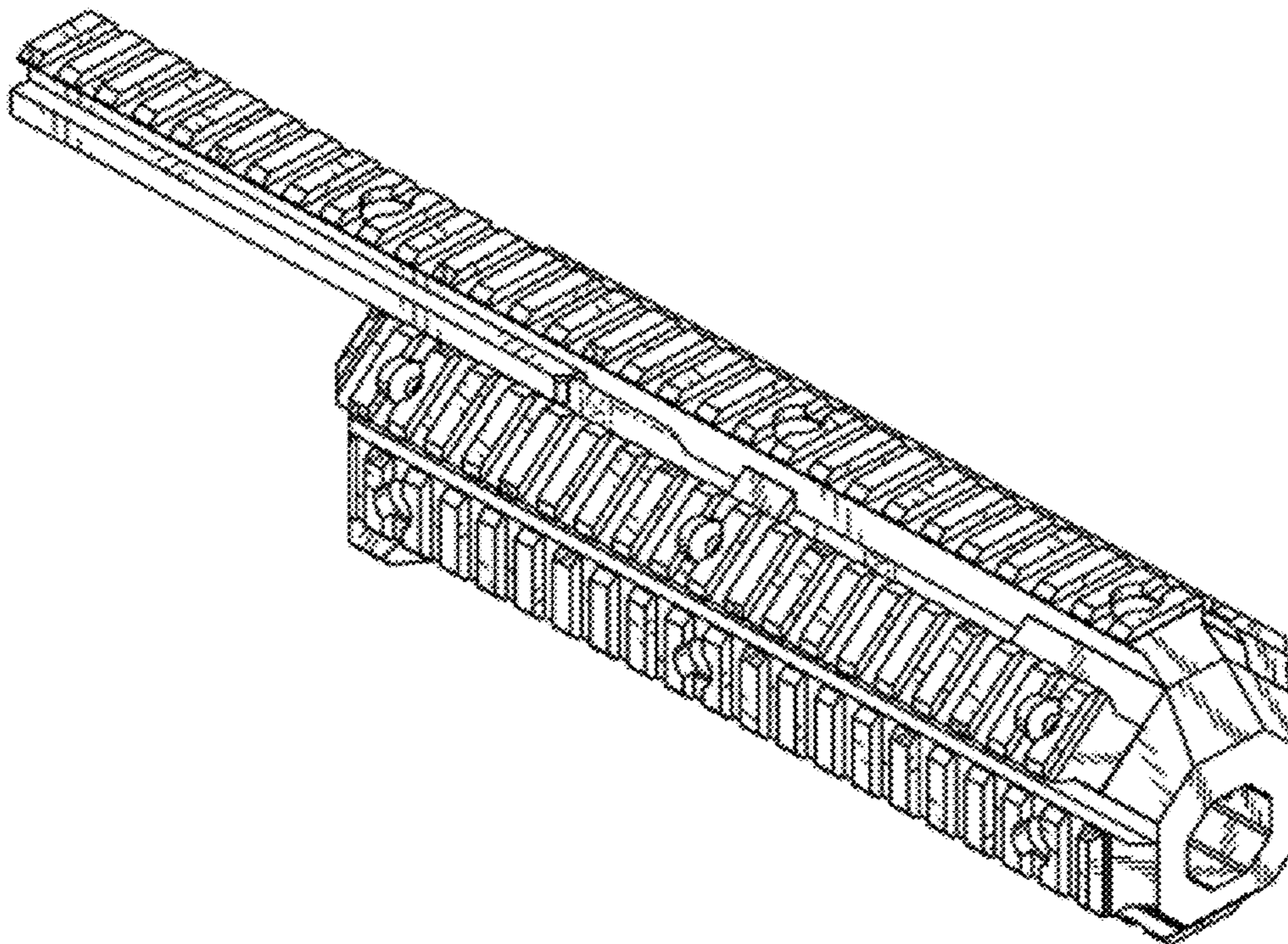
The ornamental design for a six-sided handrail for firearms, as shown and described.

DESCRIPTION

FIG. 1 is a perspective view of the six-sided handrail for firearms in accordance with my invention;
FIG. 2 is a front end view thereof, taken from the right side of FIG. 1;
FIG. 3 is a back end view thereof, taken from the left side of FIG. 1;
FIG. 4 is a first side view thereof;
FIG. 5 is a second side view thereof;
FIG. 6 is a top view thereof; and,
FIG. 7 is a bottom view thereof.

Broken lines shown in FIGS. 1, 3, and 7 are included for the purpose of illustrating a portion of the six-sided handrail for firearms that forms no part of the claimed design. The surface indicia of parallel lines also form no part of the claimed design and are merely surface shading.

1 Claim, 2 Drawing Sheets



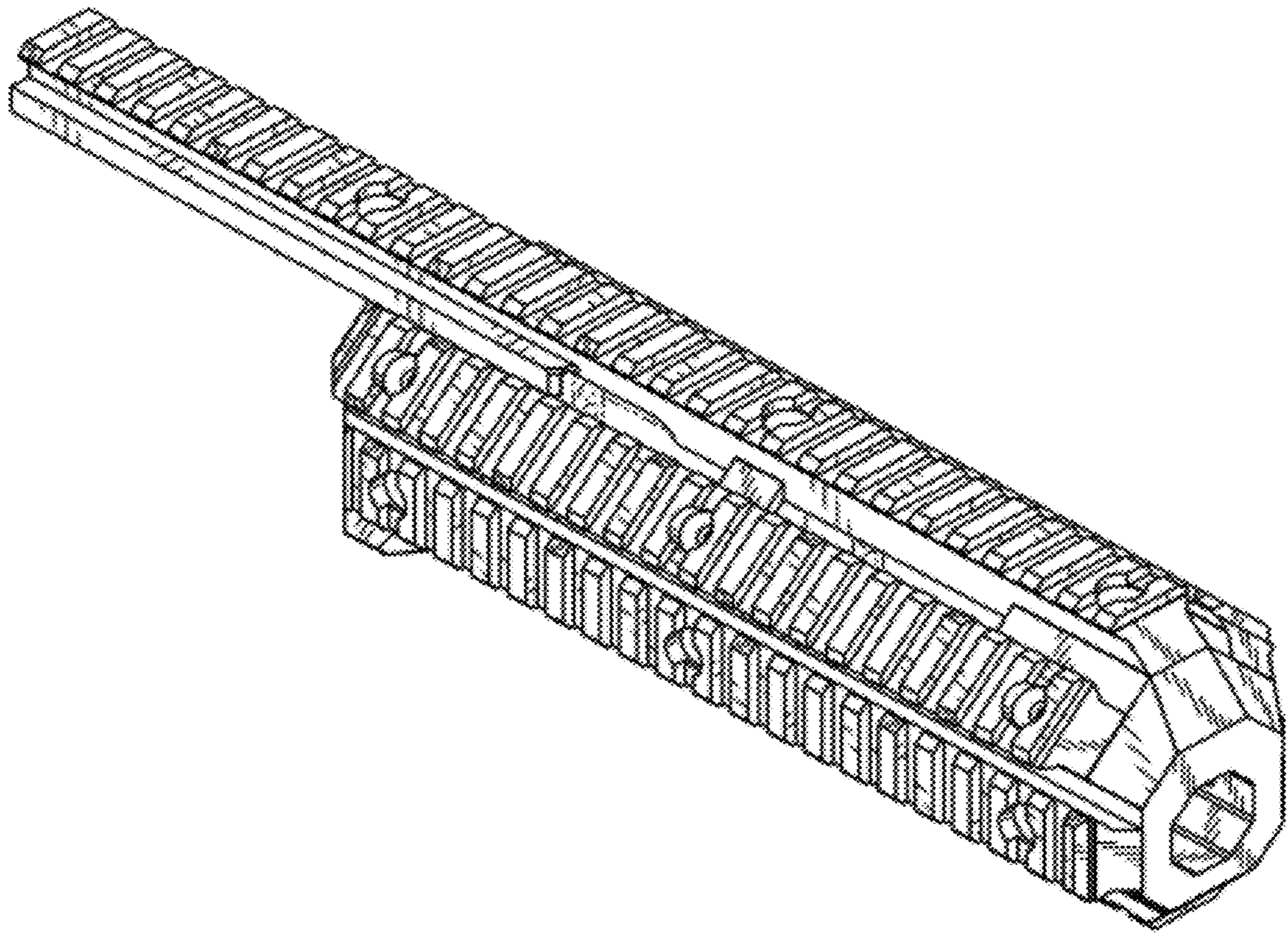


FIG. 1

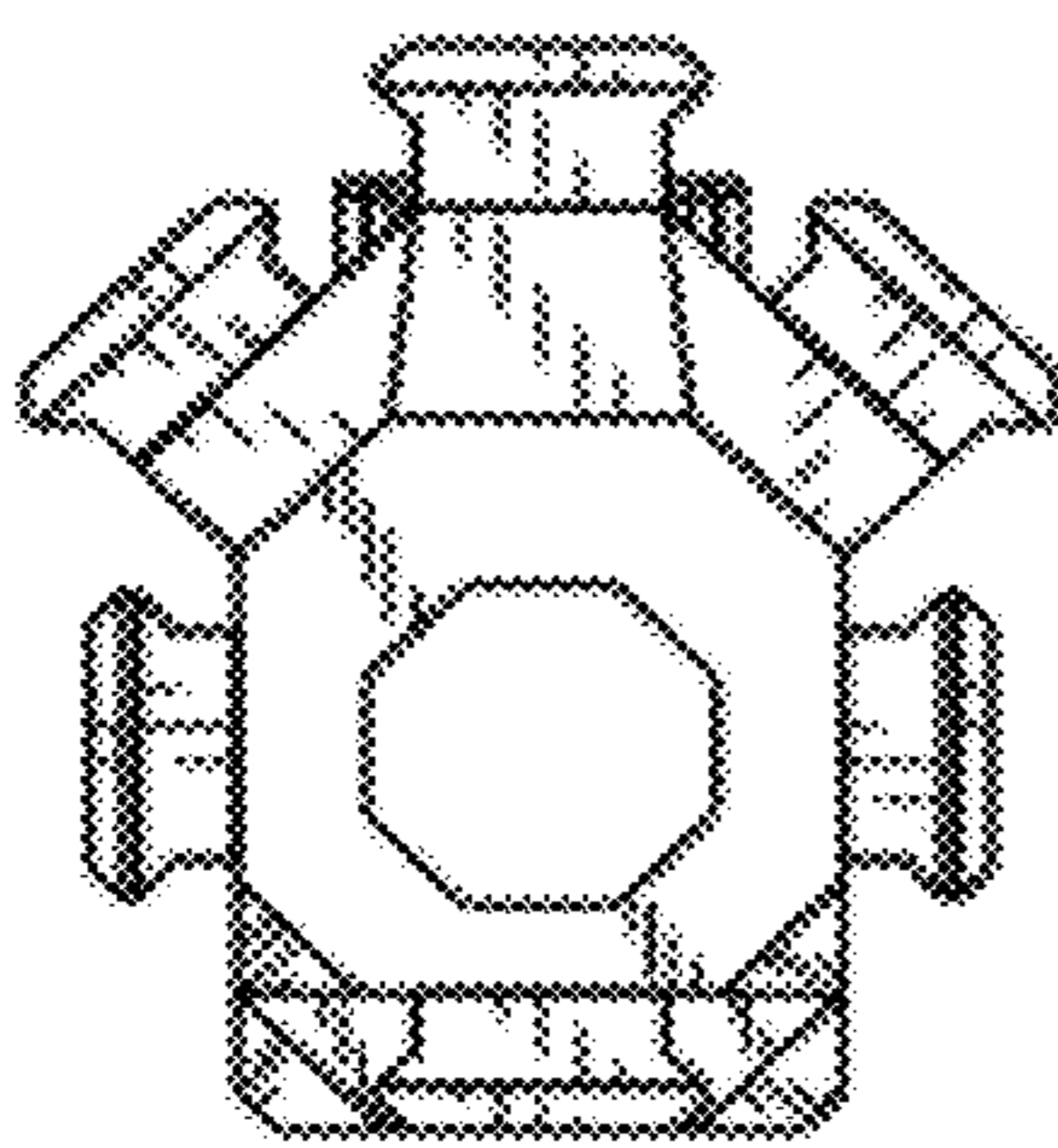


FIG. 2

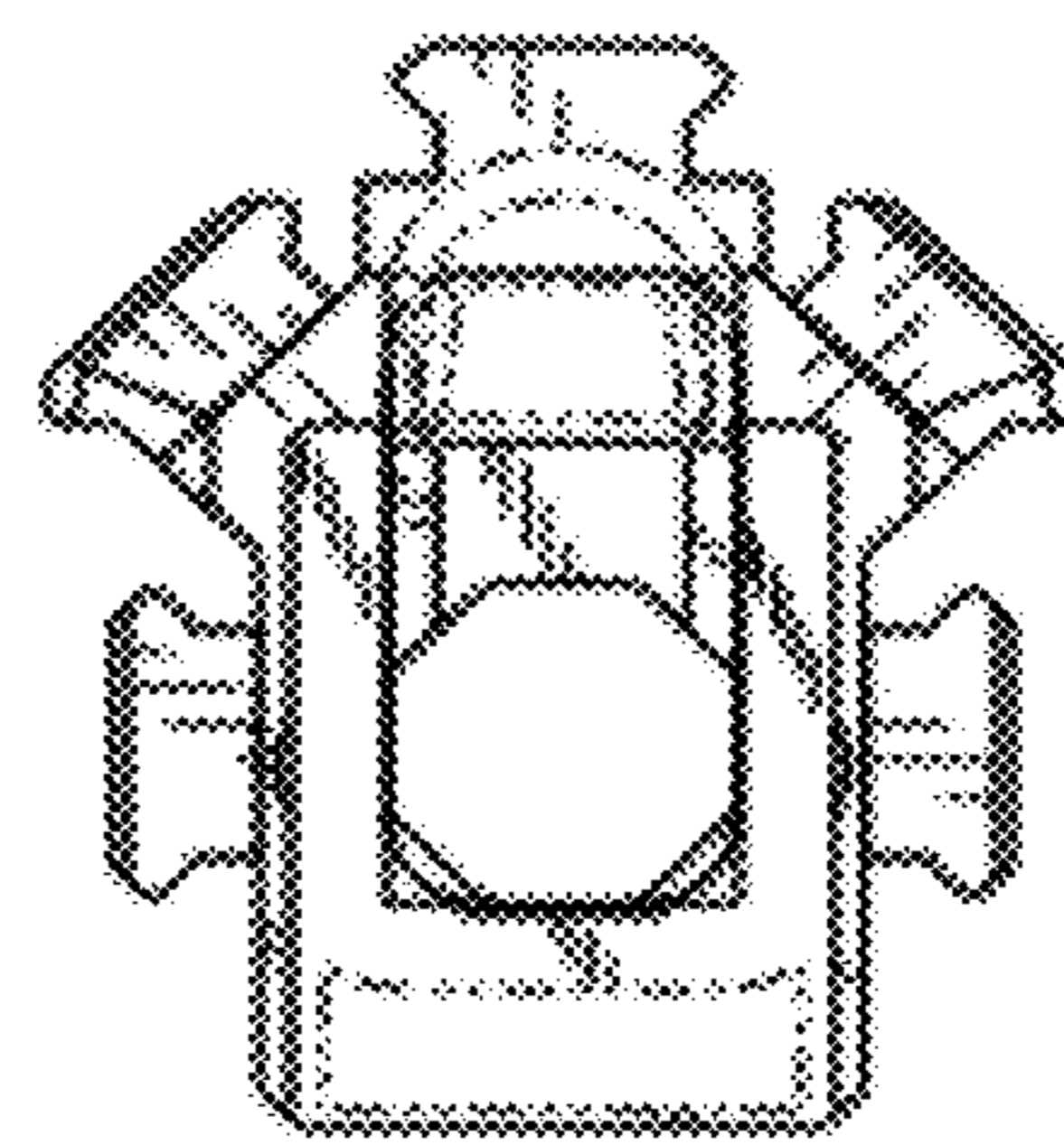


FIG. 3

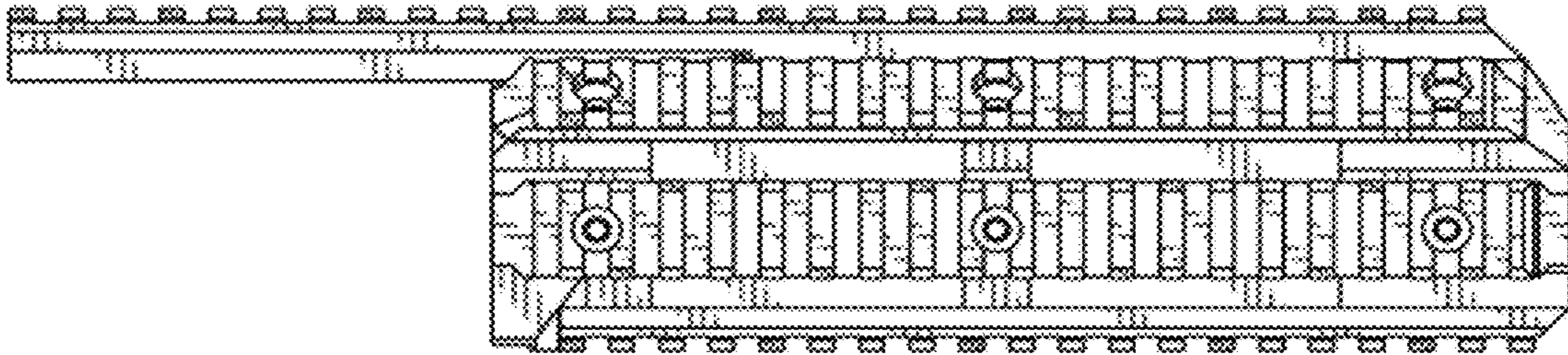


FIG. 4

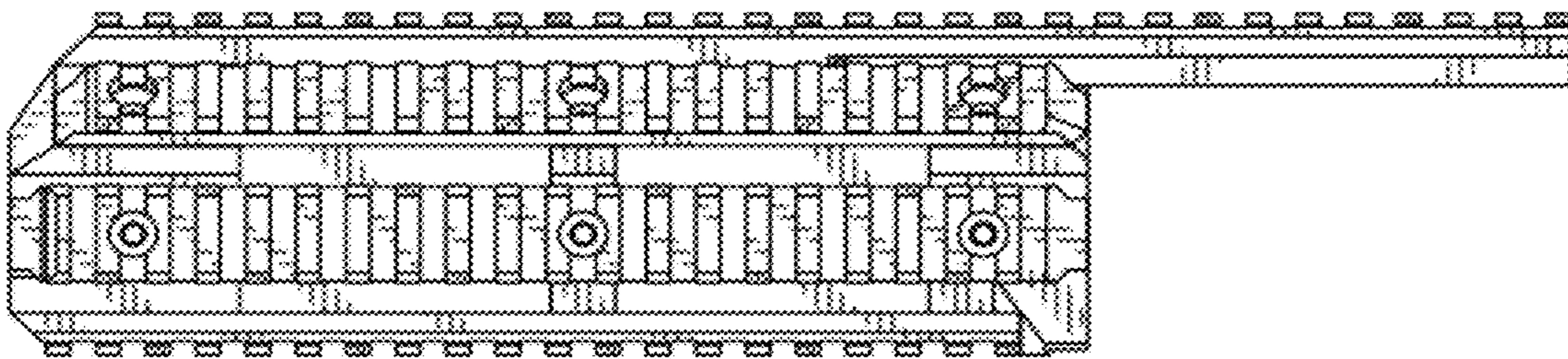


FIG. 5

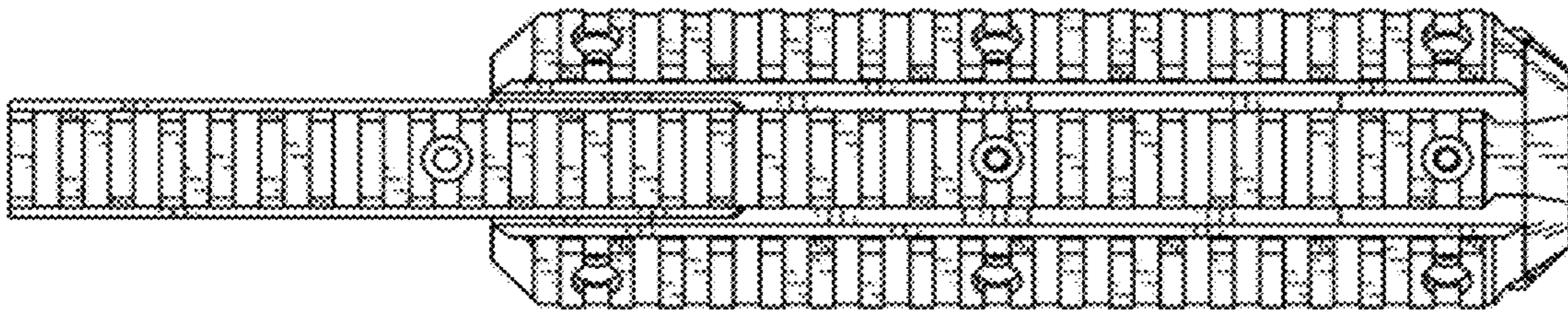


FIG. 6

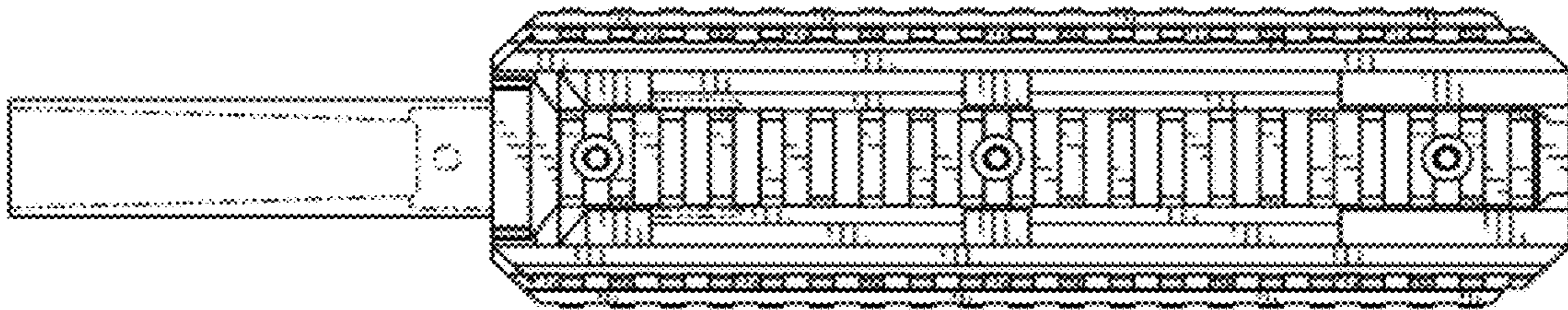


FIG. 7