



US00D674030S

(12) **United States Design Patent**
Takahashi et al.

(10) **Patent No.:** **US D674,030 S**
(45) **Date of Patent:** **** Jan. 8, 2013**

(54) **TRANSFORMABLE TOY**

(75) Inventors: **Hideyuki Takahashi**, Tokyo (JP);
Takamichi Murayama, Tokyo (JP);
Reina Kukutsu, Tokyo (JP); **Naomi**
Takebe, Tokyo (JP); **Yoshiki Tsuruoka**,
Tokyo (JP)

(73) Assignee: **Bandai Co., Ltd.**, Tokyo (JP)

(**) Term: **14 Years**

(21) Appl. No.: **29/422,658**

(22) Filed: **May 22, 2012**

(30) **Foreign Application Priority Data**

Nov. 23, 2011 (JP) 2011-027056

(51) **LOC (9) Cl.** **21-01**

(52) **U.S. Cl.** **D21/579; D15/199; D21/578**

(58) **Field of Classification Search** D21/578-583,
D21/621, 622; 446/268-274, 279, 280, 285,
446/289-292, 294, 297-303, 353-355, 376-384;
D15/199; 318/568.11, 568.12, 568.2

See application file for complete search history.

(56) **References Cited**

U.S. PATENT DOCUMENTS

D288,830 S *	3/1987	Obara	D21/579
D297,034 S *	8/1988	Matsumoto	D21/580
D297,037 S *	8/1988	Matsumoto	D21/580
D301,261 S *	5/1989	Ohno	D21/579
D301,357 S *	5/1989	Kunihiro	D21/580
D303,410 S *	9/1989	Shinohara	D21/580

(Continued)

Primary Examiner — Zenia Bennett

(74) *Attorney, Agent, or Firm* — Rabin & Berdo, P.C.

(57) **CLAIM**

The ornamental design for a transformable toy, as shown and described.

DESCRIPTION

FIG. 1 is a front view of the binocular form for a transformable toy;

FIG. 2 is a rear view of the binocular form thereof;

FIG. 3 is a right side view of the binocular form thereof;

FIG. 4 is a left side view of the binocular form thereof;

FIG. 5 is a top view of the binocular form thereof;

FIG. 6 is a bottom view of the binocular form thereof;

FIG. 7 is first perspective view of the binocular form thereof;

FIG. 8 is second perspective view of the binocular form thereof;

FIG. 9 is third perspective view of the binocular form thereof;

FIG. 10 is a front view of the sword form thereof;

FIG. 11 is a rear view of the sword form thereof;

FIG. 12 is a right side view of the sword form thereof;

FIG. 13 is a left side view of the sword form thereof;

FIG. 14 is a top view of the sword form thereof;

FIG. 15 is a bottom view of the sword form thereof;

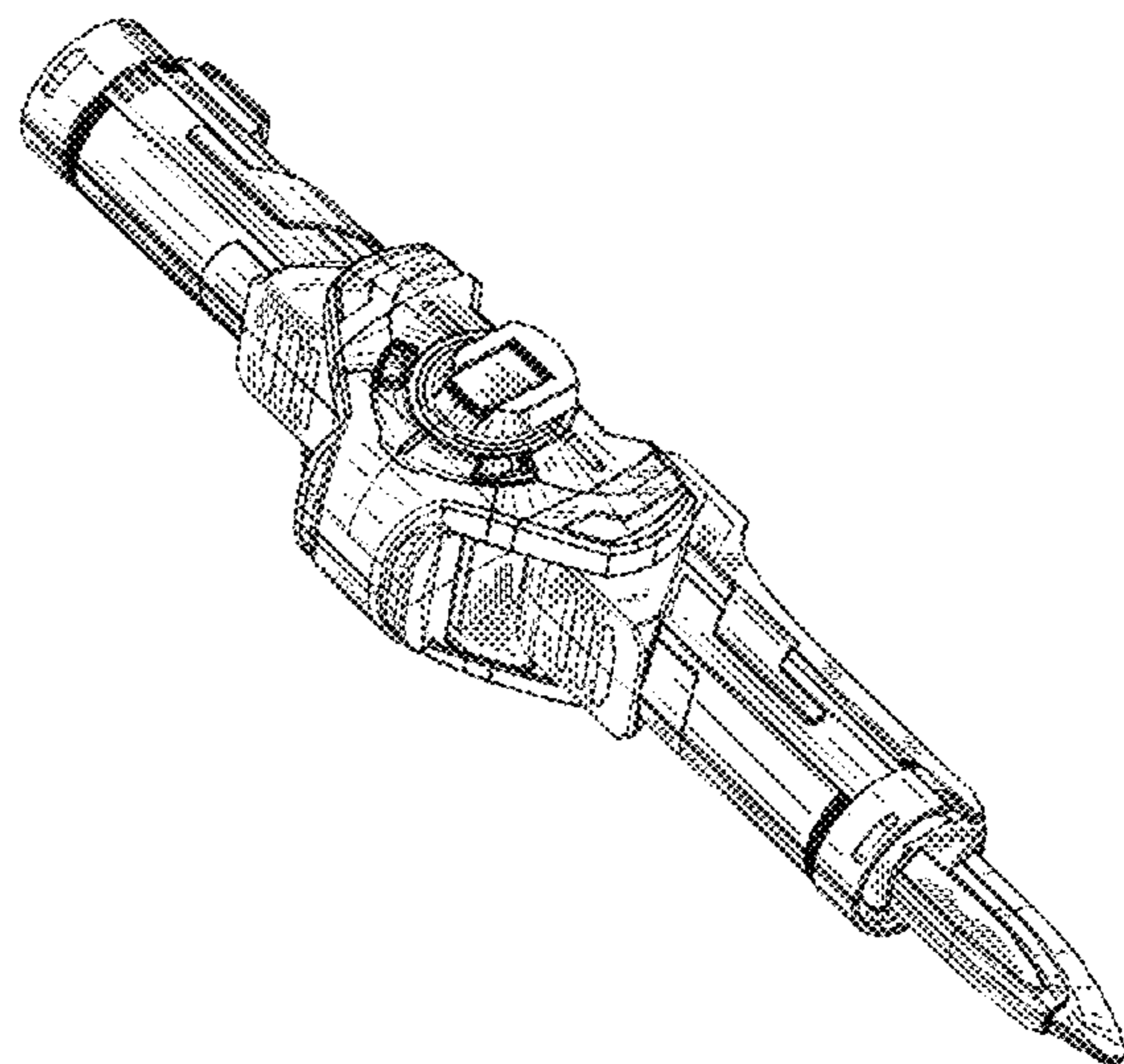
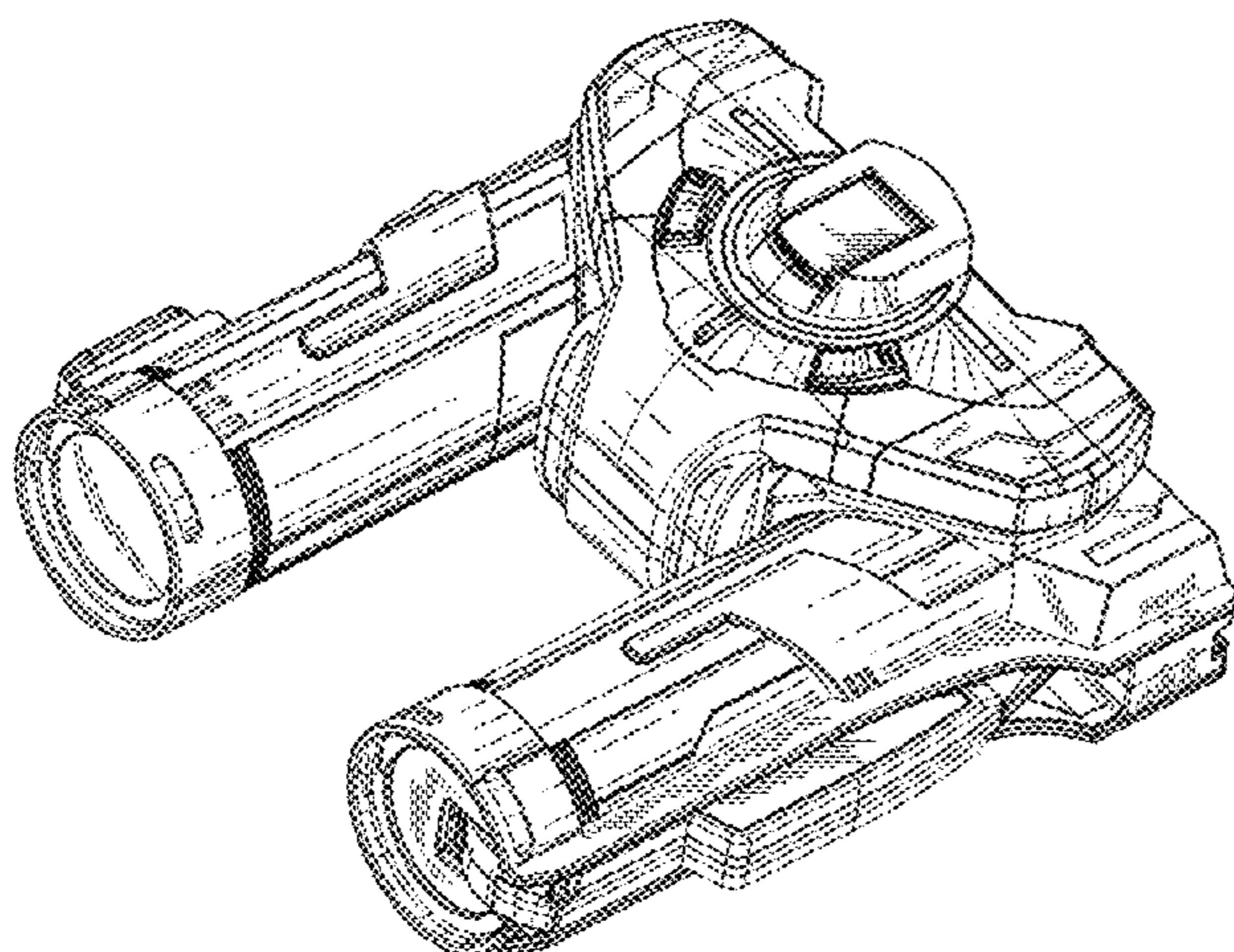
FIG. 16 is a perspective view of the sword form thereof; and,

FIG. 17 is another perspective view of the sword form thereof.

The broken lines in the drawing are for illustrative purposes only and form no part of the claimed design.

The transformable toy can reversibly change into a binocular and sword forms.

1 Claim, 12 Drawing Sheets



US D674,030 S

Page 2

U.S. PATENT DOCUMENTS

D305,053 S *	12/1989	Doi	D21/584	D311,041 S *	10/1990	Shinohara	D21/580
D307,776 S *	5/1990	Shinohara	D21/584	D622,786 S *	8/2010	Lee	D21/578
D307,778 S *	5/1990	Shinohara	D21/584	D662,154 S *	6/2012	Hara et al.	D21/578

* cited by examiner

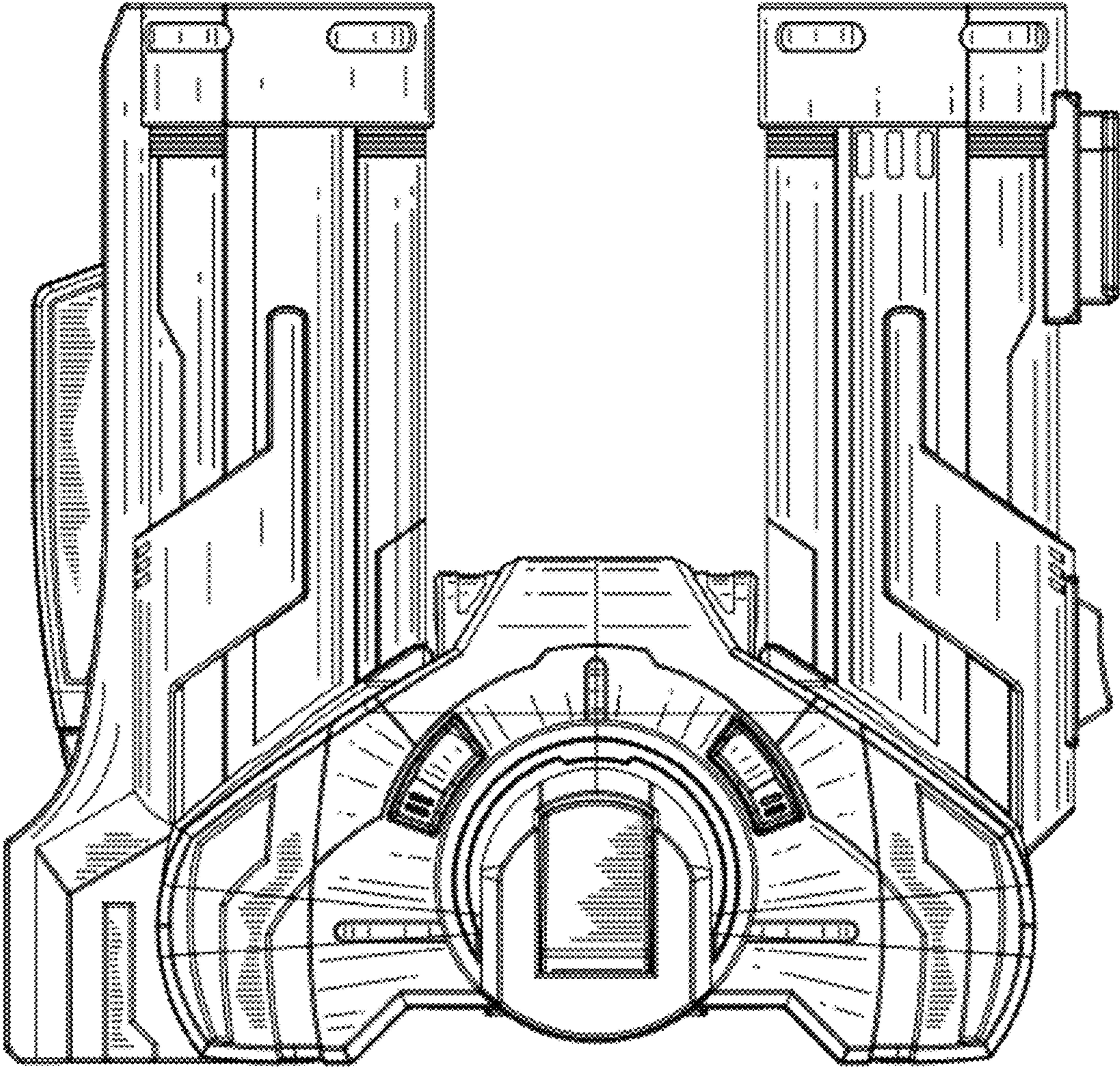


FIG. 1

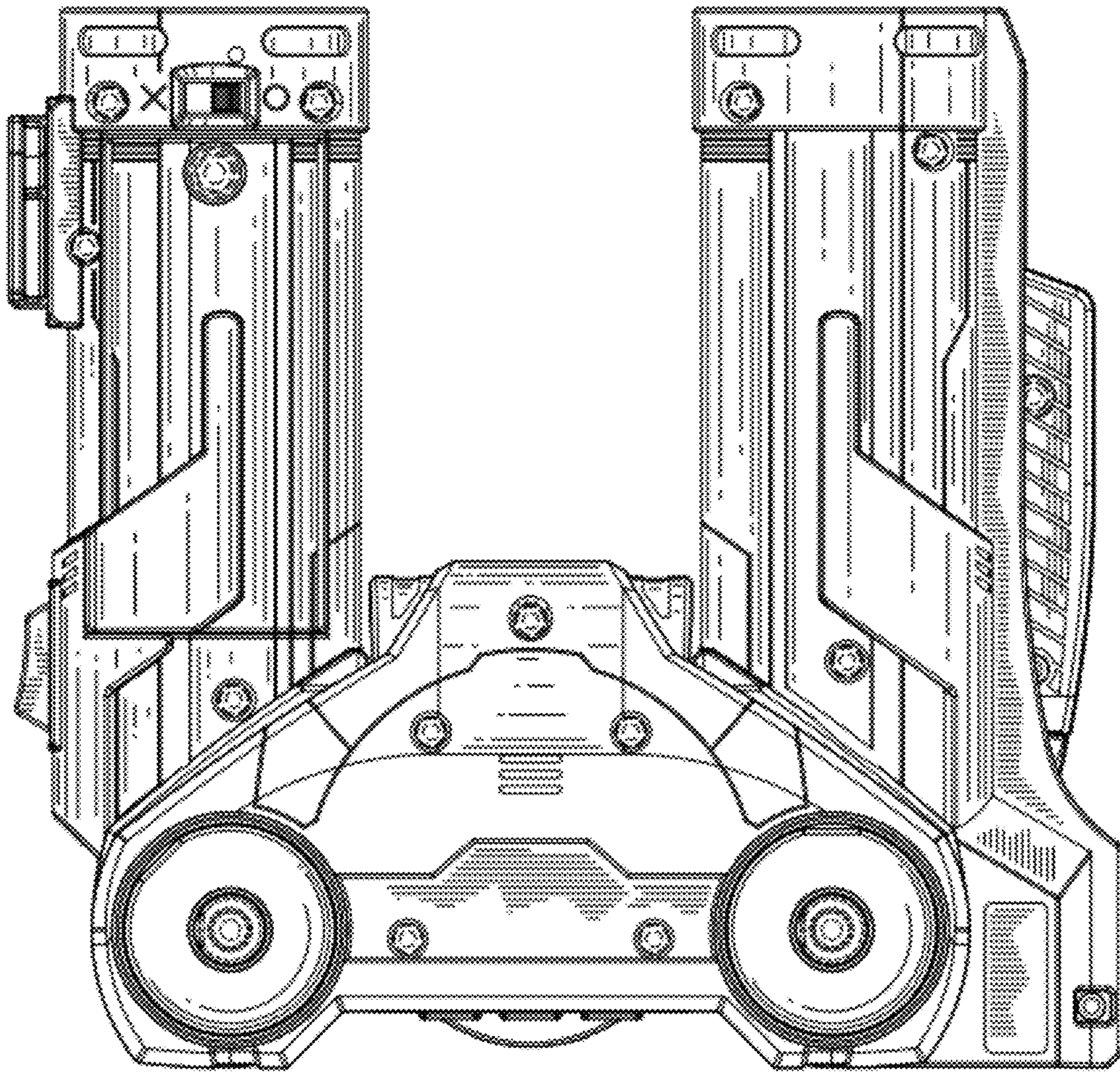


FIG. 2

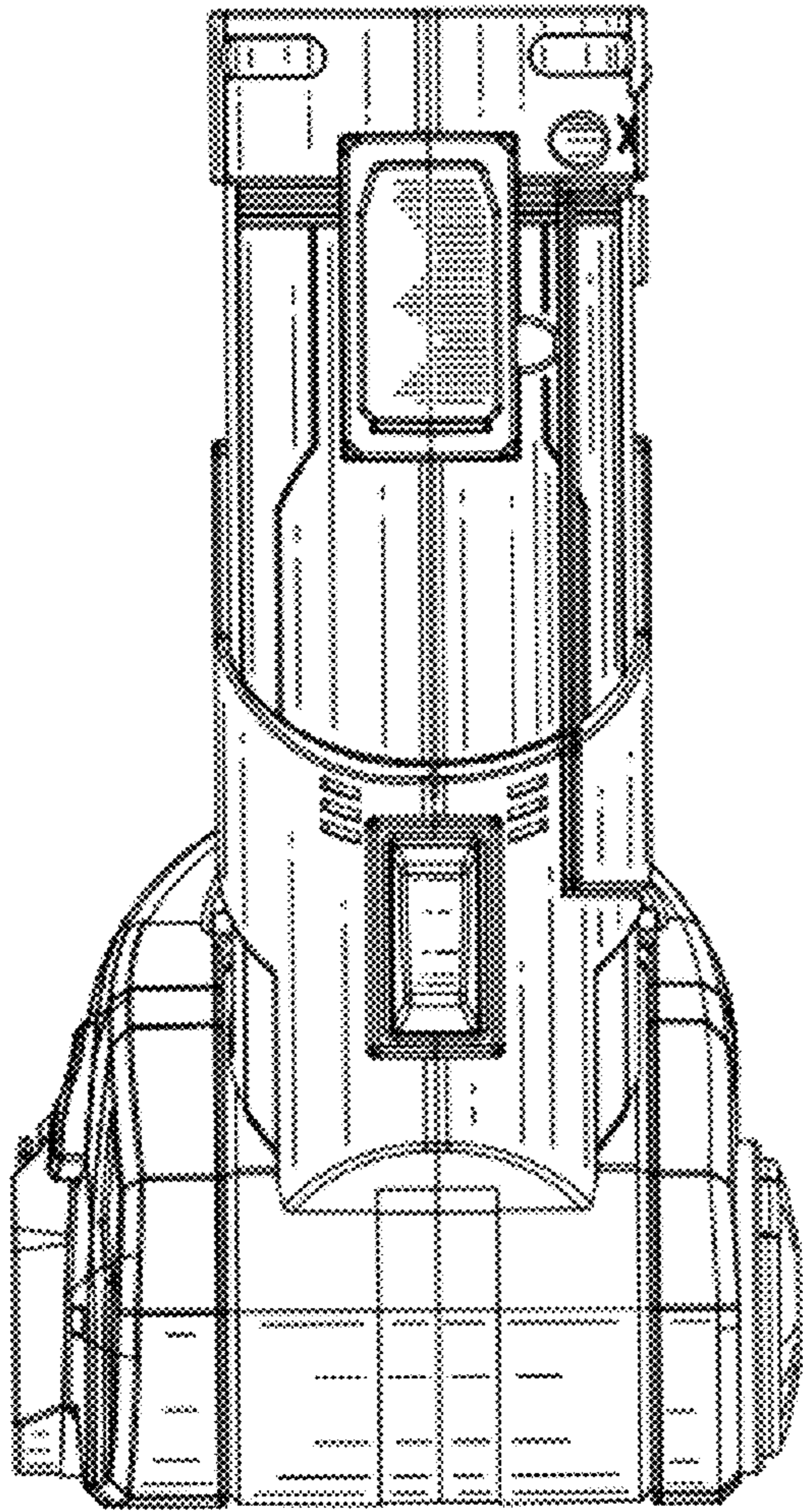


FIG. 3

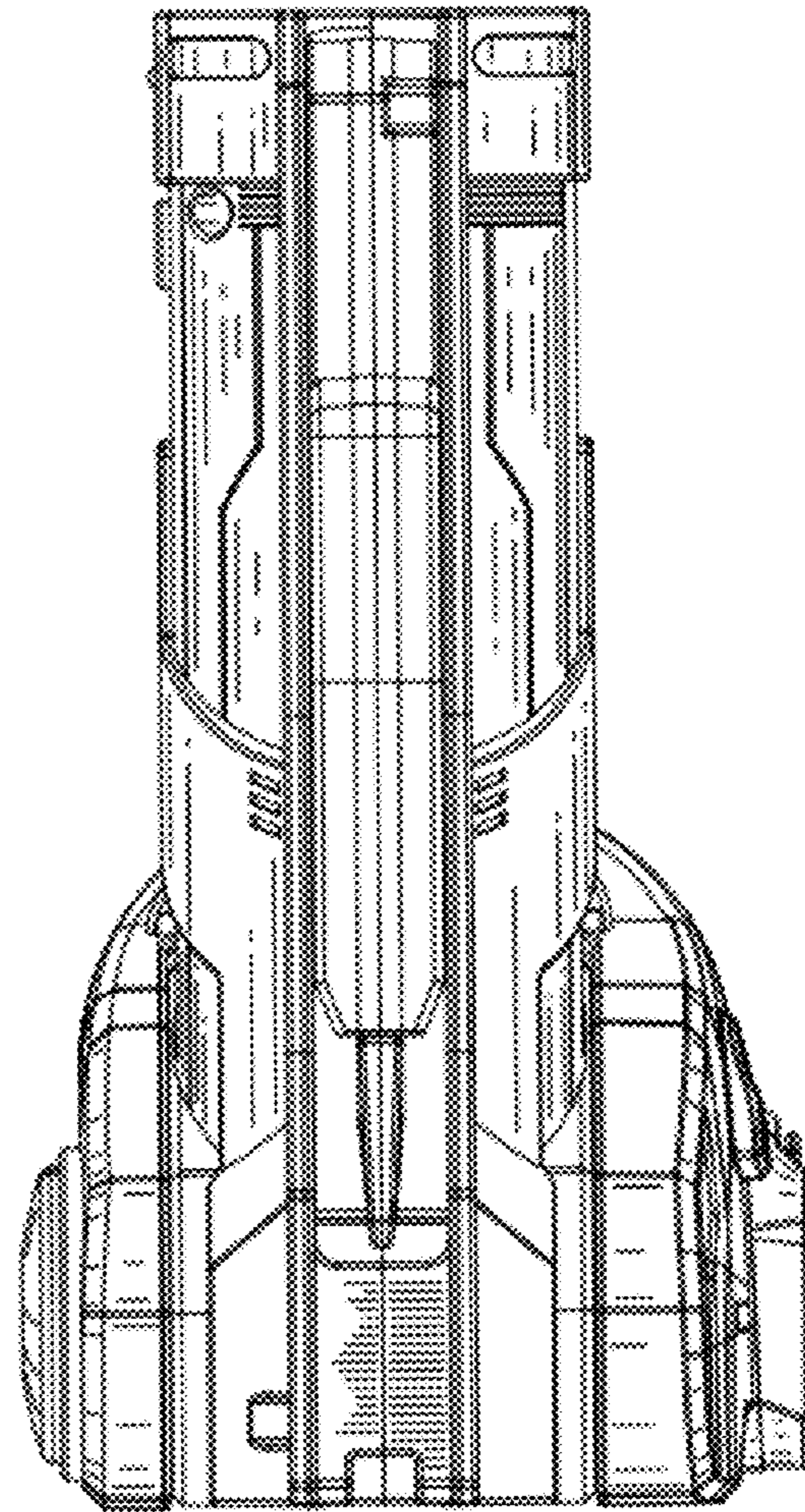


FIG. 4

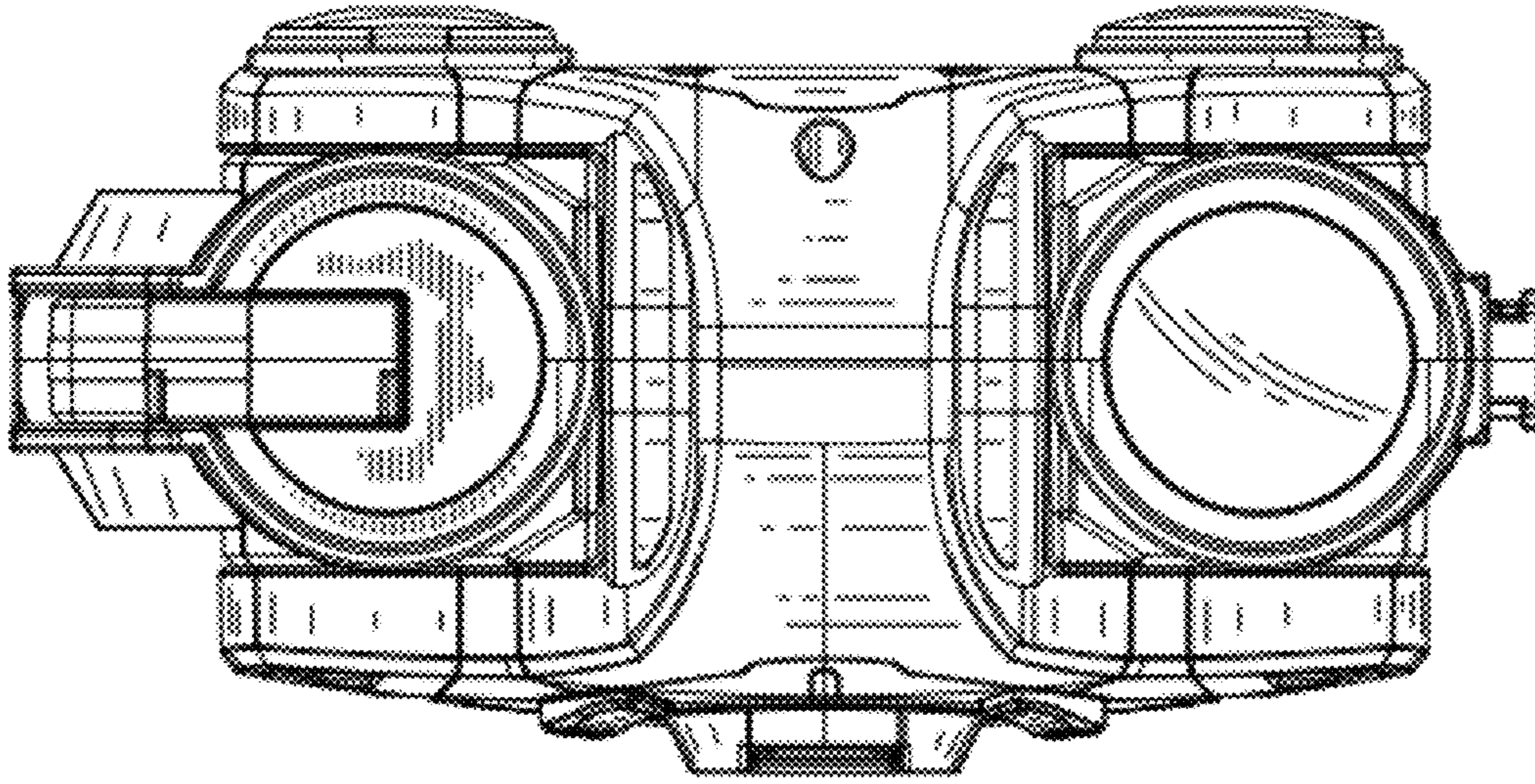


FIG. 5

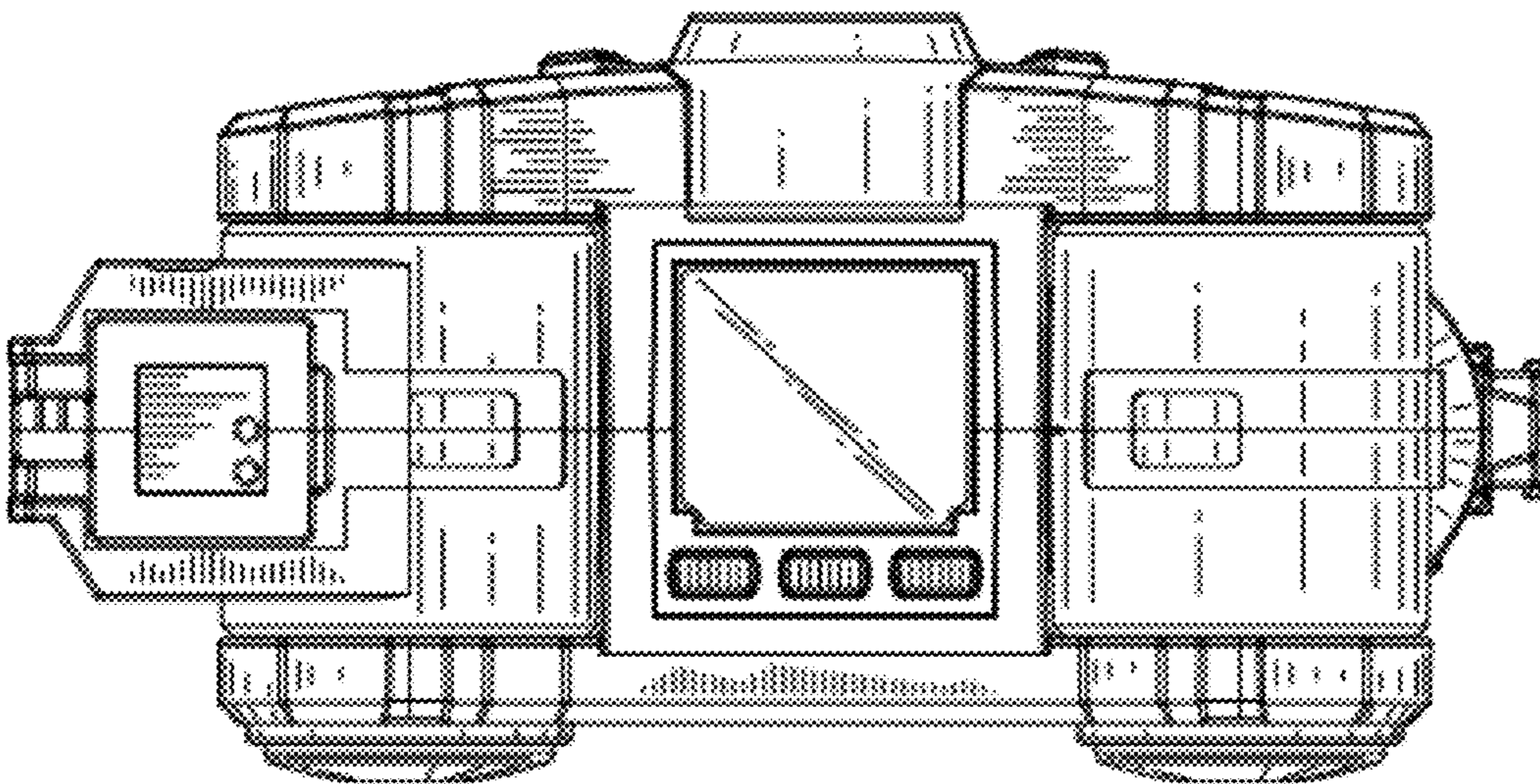


FIG. 6

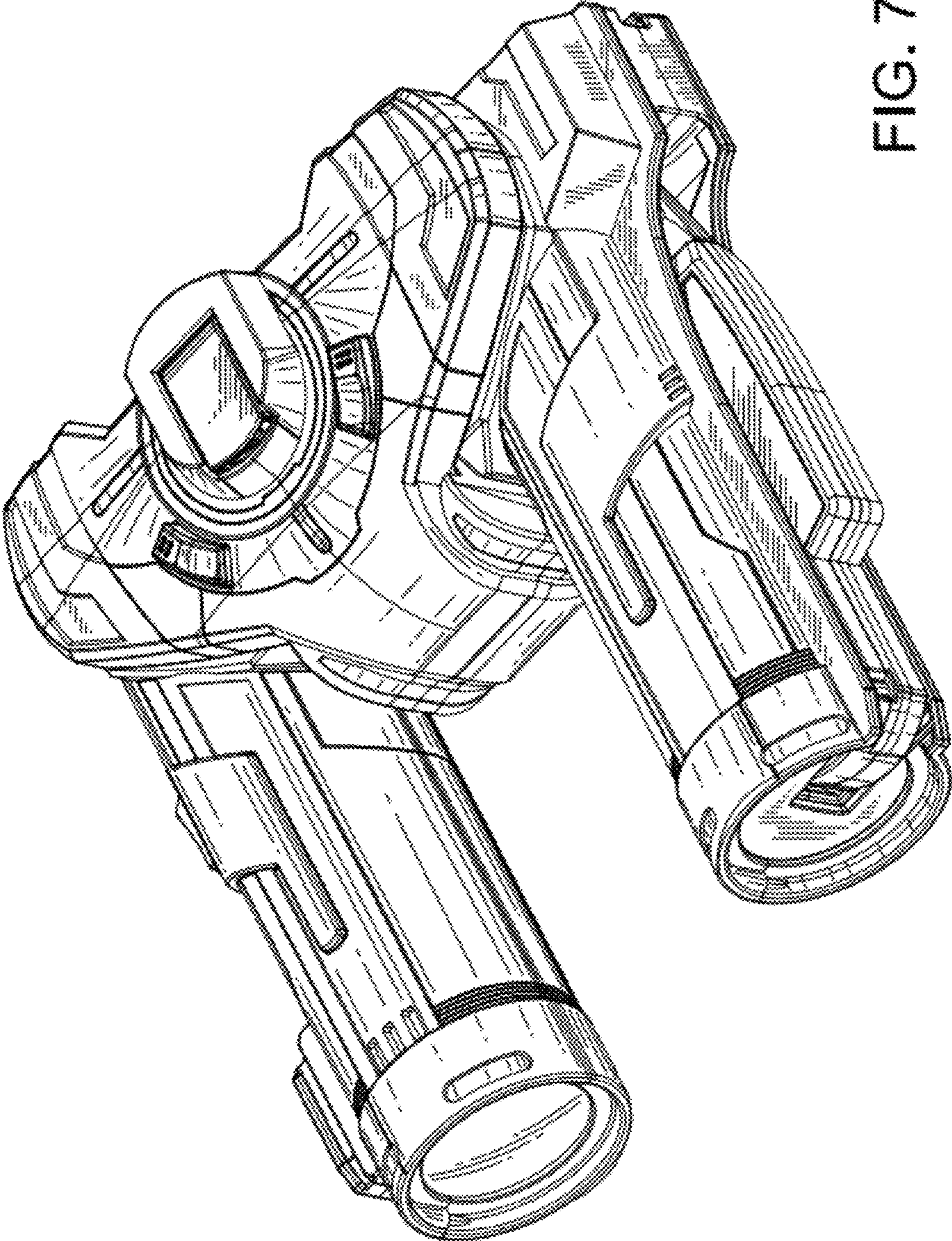


FIG. 7

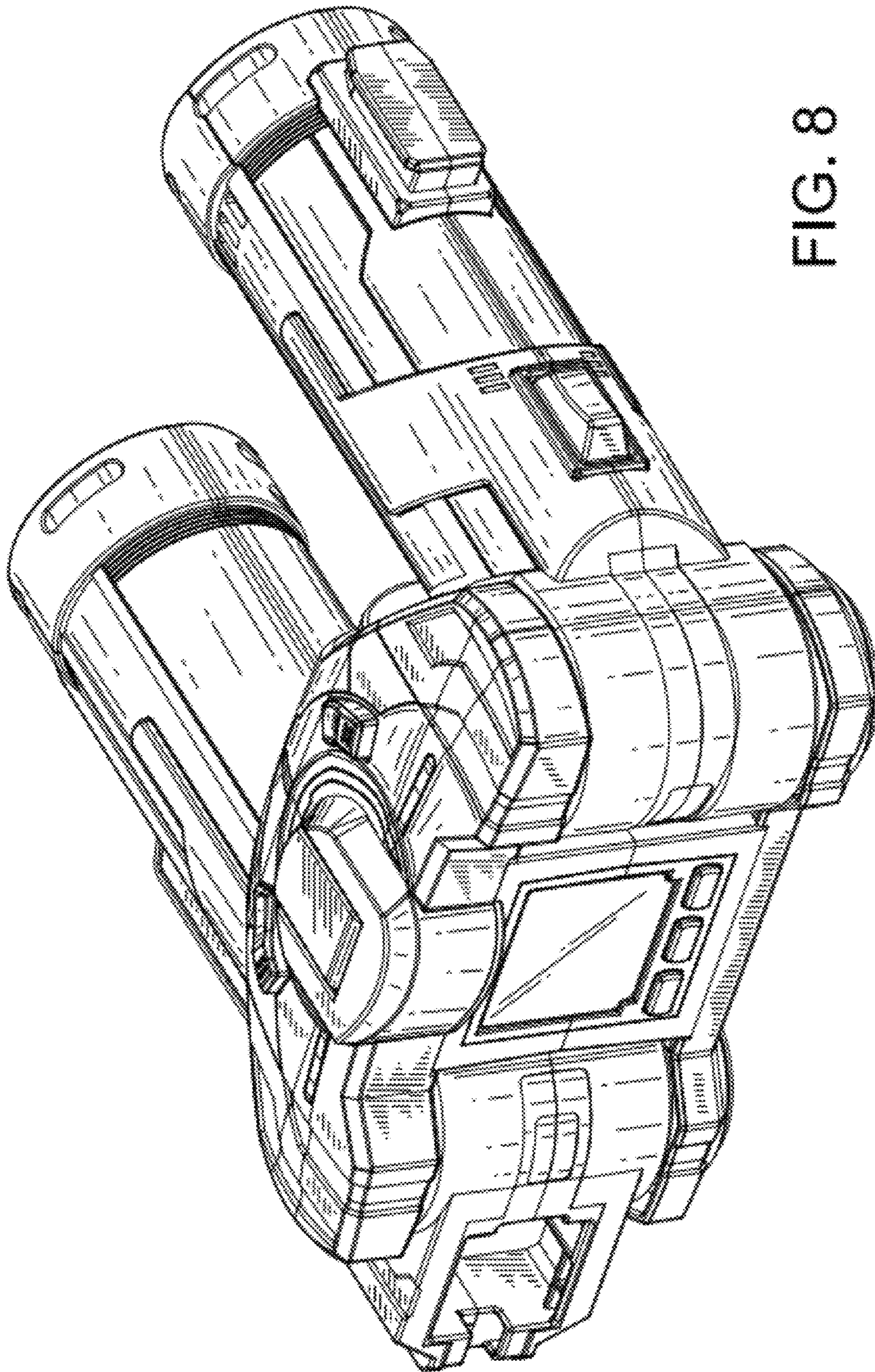


FIG. 8

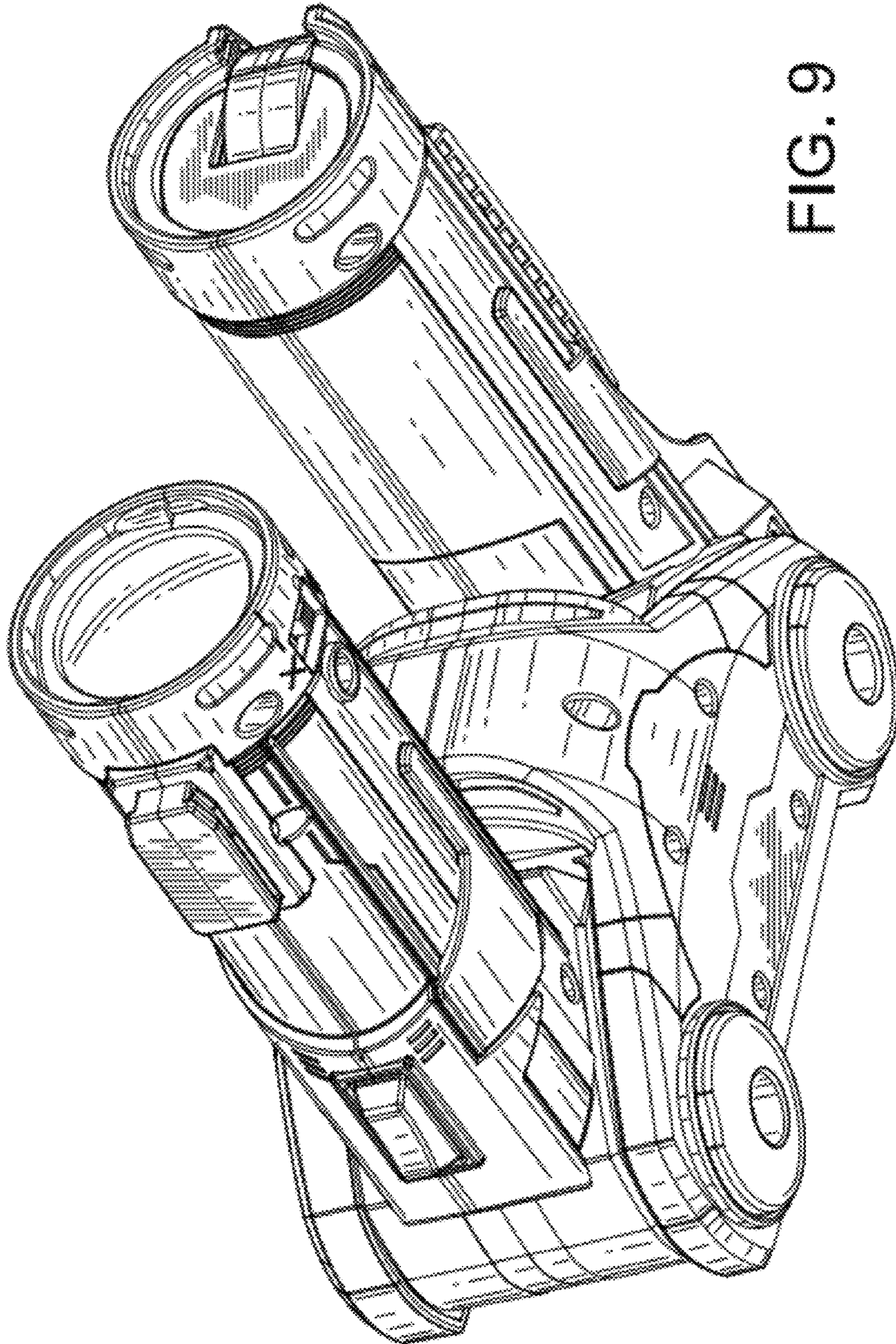


FIG. 9

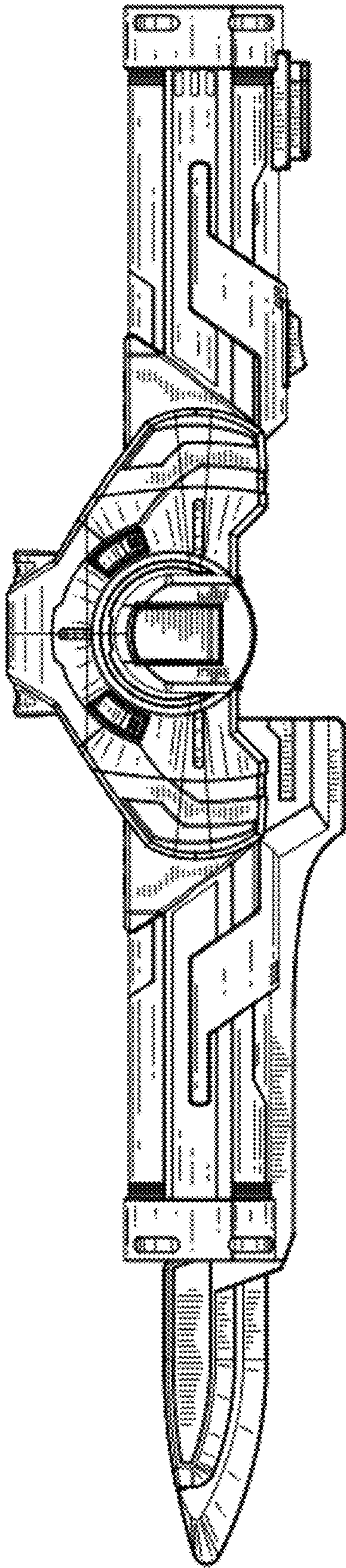


FIG. 10

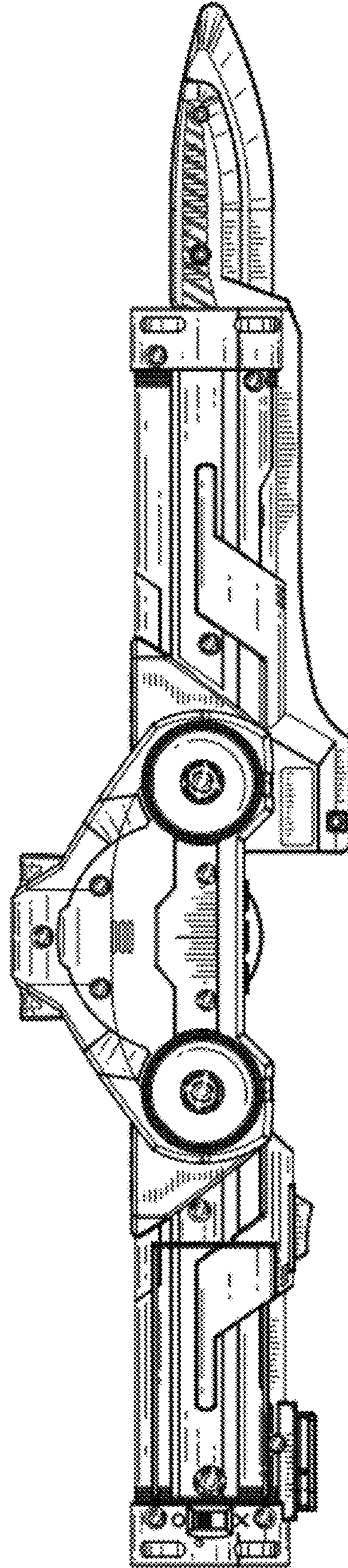


FIG. 11

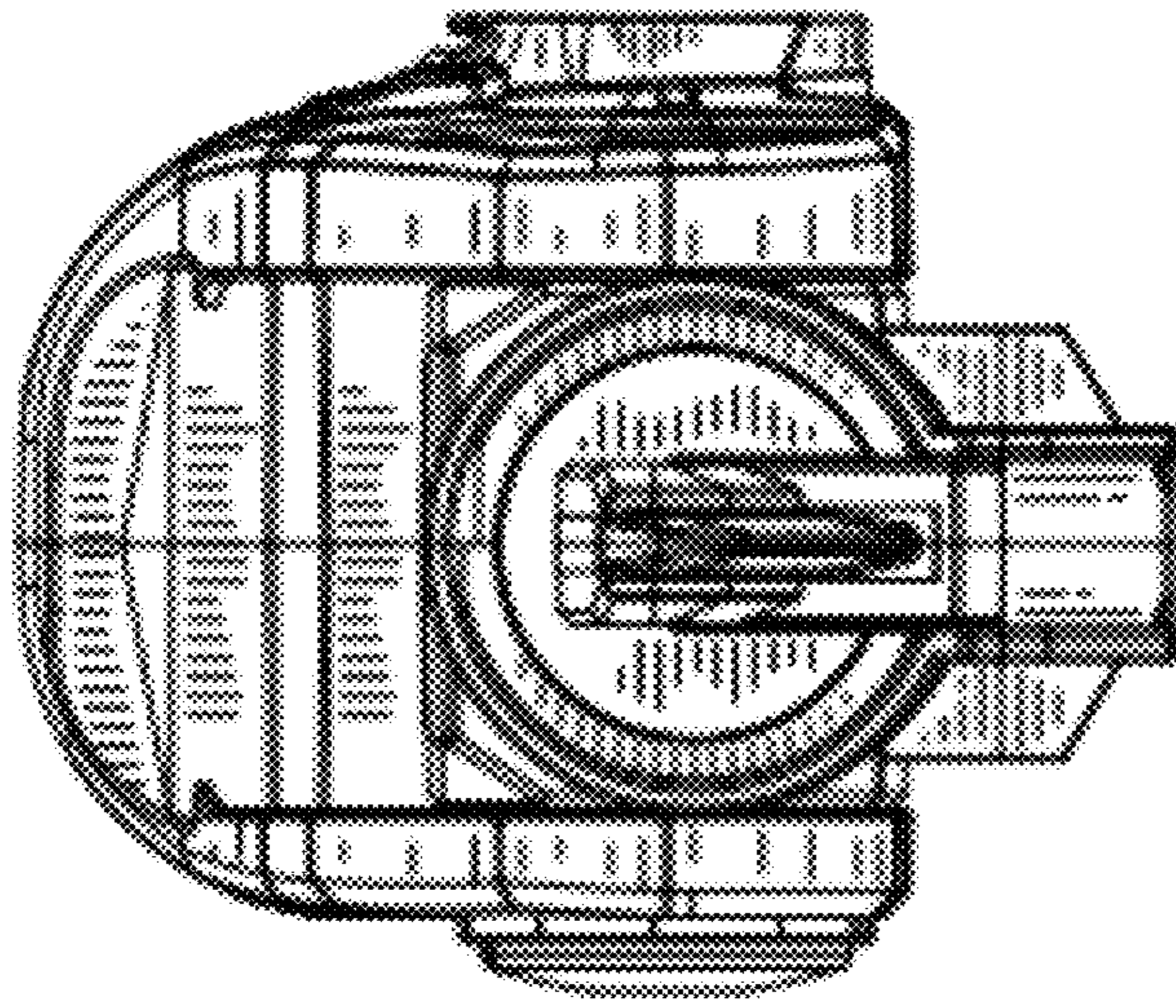


FIG. 12

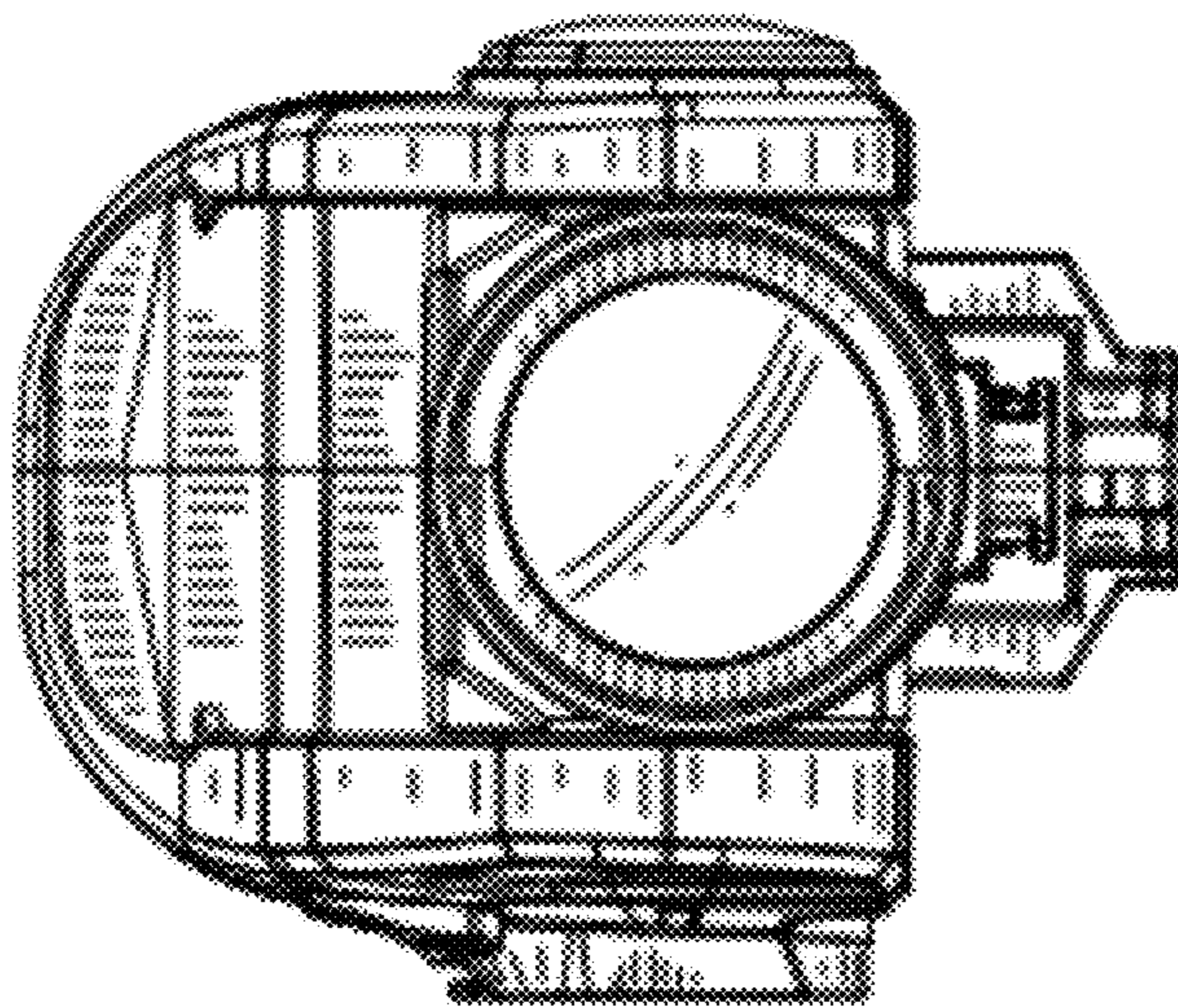


FIG. 13

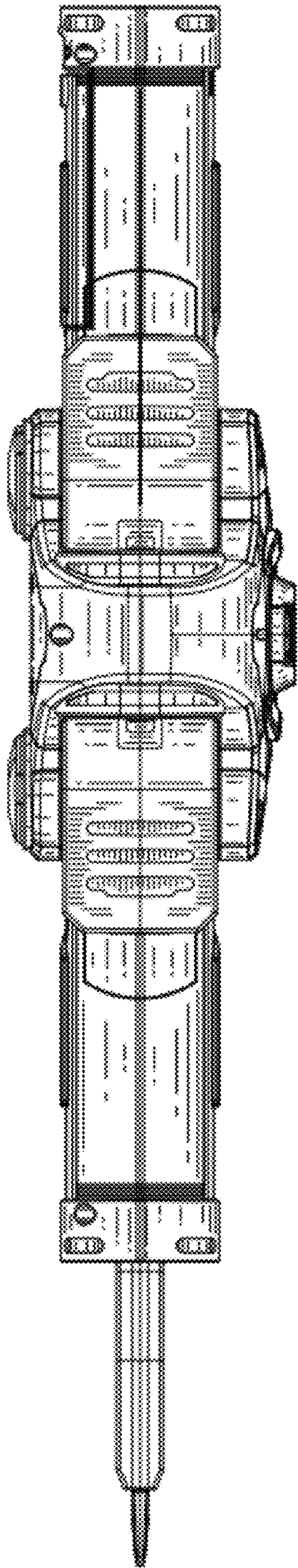


FIG. 14

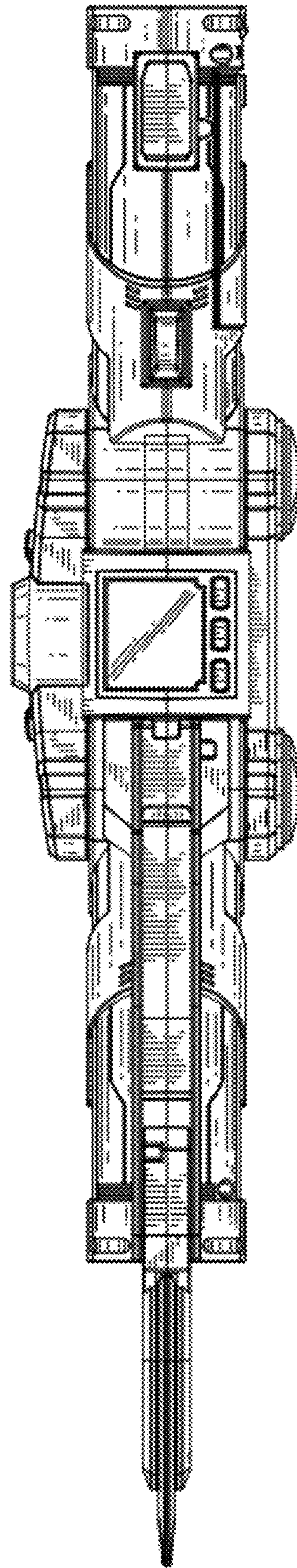


FIG. 15

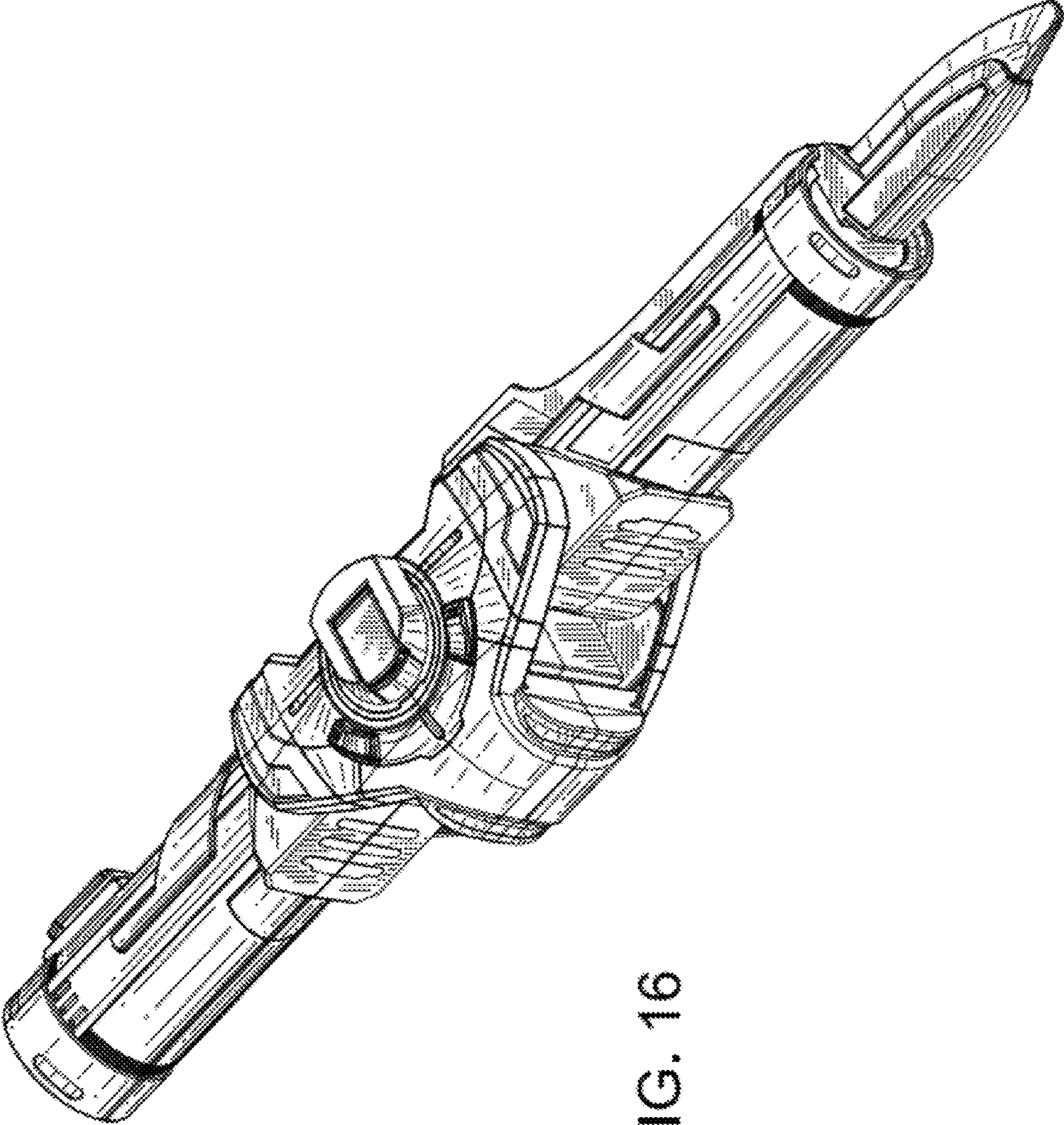


FIG. 16

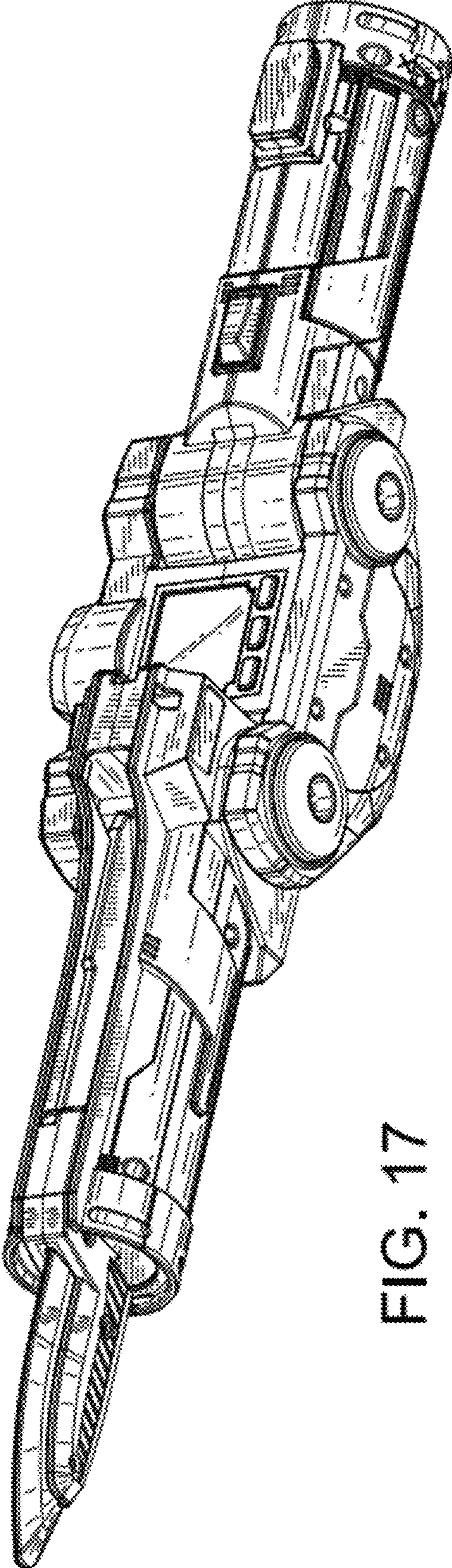


FIG. 17