



US00D674029S

(12) **United States Design Patent**
Takahashi et al.

(10) **Patent No.:** **US D674,029 S**
(45) **Date of Patent:** **** Jan. 8, 2013**

(54) **TRANSFORMABLE TOY**

(75) Inventors: **Hideyuki Takahashi**, Tokyo (JP);
Takamichi Murayama, Tokyo (JP);
Kengo Nakanishi, Tokyo (JP); **Naomi**
Takebe, Tokyo (JP); **Kazuhiro Kikuchi**,
Tokyo (JP)

(73) Assignee: **Bandai Co., Ltd.**, Tokyo (JP)

(**) Term: **14 Years**

(21) Appl. No.: **29/422,655**

(22) Filed: **May 22, 2012**

(30) **Foreign Application Priority Data**

Nov. 23, 2011 (JP) 2011-027051

(51) **LOC (9) Cl.** **21-01**

(52) **U.S. Cl.** **D21/579; D15/199; D21/478;**
D21/580

(58) **Field of Classification Search** D21/578-583,
D21/621, 622; 446/268-274, 279, 280, 285,
446/289-292, 294, 297-303, 353-355, 376-384;
D15/199; 318/568.11, 568.12, 568.2
See application file for complete search history.

(56) **References Cited**

U.S. PATENT DOCUMENTS

D288,830 S *	3/1987	Obara	D21/579
D297,034 S *	8/1988	Matsumoto	D21/580
D297,037 S *	8/1988	Matsumoto	D21/580
D301,261 S *	5/1989	Ohno	D21/579
D301,357 S *	5/1989	Kunihiro	D21/580
D303,410 S *	9/1989	Shinohara	D21/580
D305,053 S *	12/1989	Doi	D21/584
D307,776 S *	5/1990	Shinohara	D21/584
D307,778 S *	5/1990	Shinohara	D21/584

D311,041 S *	10/1990	Shinohara	D21/580
D622,786 S *	8/2010	Lee	D21/578
D662,154 S *	6/2012	Hara et al.	D21/578

* cited by examiner

Primary Examiner — Zenia Bennett

(74) *Attorney, Agent, or Firm* — Rabin & Berdo, P.C.

(57) **CLAIM**

The ornamental design for a transformable toy, as shown and described.

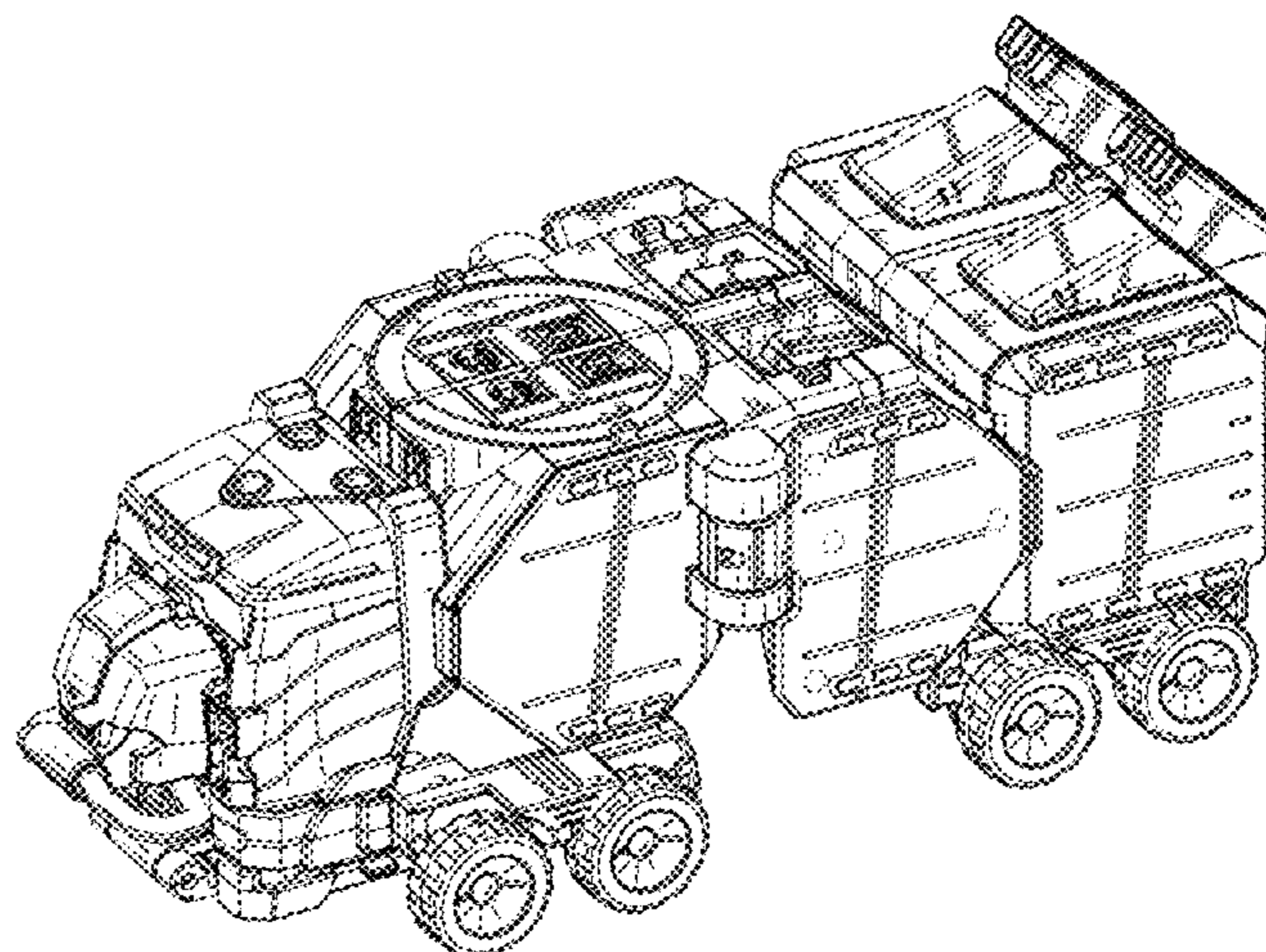
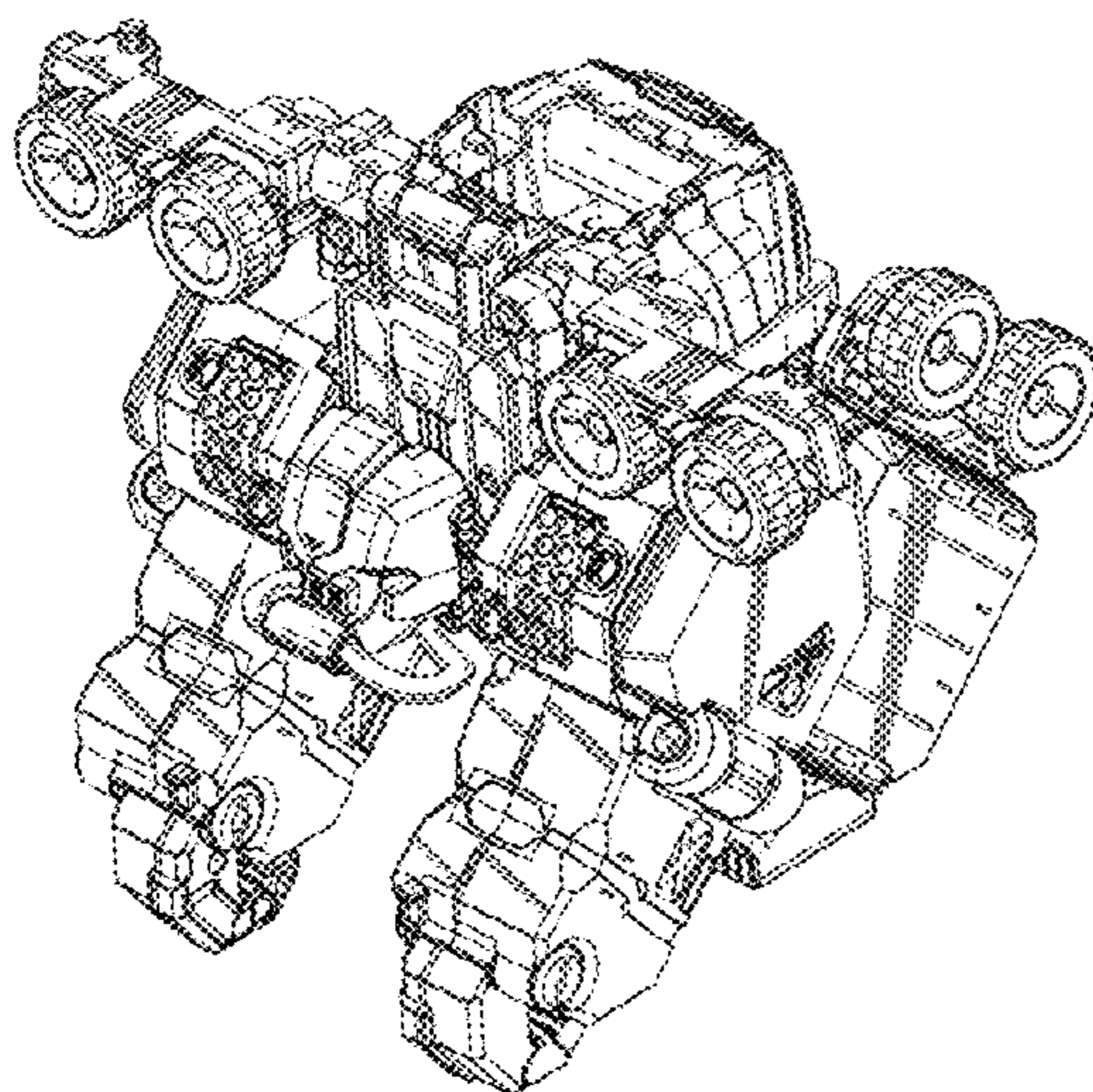
DESCRIPTION

FIG. 1 is a front view of a transformable toy;
FIG. 2 is a rear view thereof;
FIG. 3 is a right side view thereof;
FIG. 4 is a left side view thereof;
FIG. 5 is a top view thereof;
FIG. 6 is a bottom view thereof;
FIG. 7 is a perspective view thereof;
FIG. 8 is another perspective view thereof;
FIG. 9 is a front view for vehicle form thereof;
FIG. 10 is a rear view for vehicle form thereof;
FIG. 11 is a right side view for vehicle form thereof;
FIG. 12 is a left side view for vehicle form thereof;
FIG. 13 is a top view for vehicle form thereof;
FIG. 14 is a bottom view for vehicle form thereof;
FIG. 15 is a perspective view for vehicle form thereof;
FIG. 16 is another perspective view for vehicle form thereof;
FIG. 17 is a reference view for detachable mode thereof; and,
FIG. 18 is another reference view for detachable mode thereof.

The broken lines in the drawing are for illustrative purposes only and form no part of the claimed design.

This product can reversibly change into an animal and vehicle forms.

1 Claim, 18 Drawing Sheets



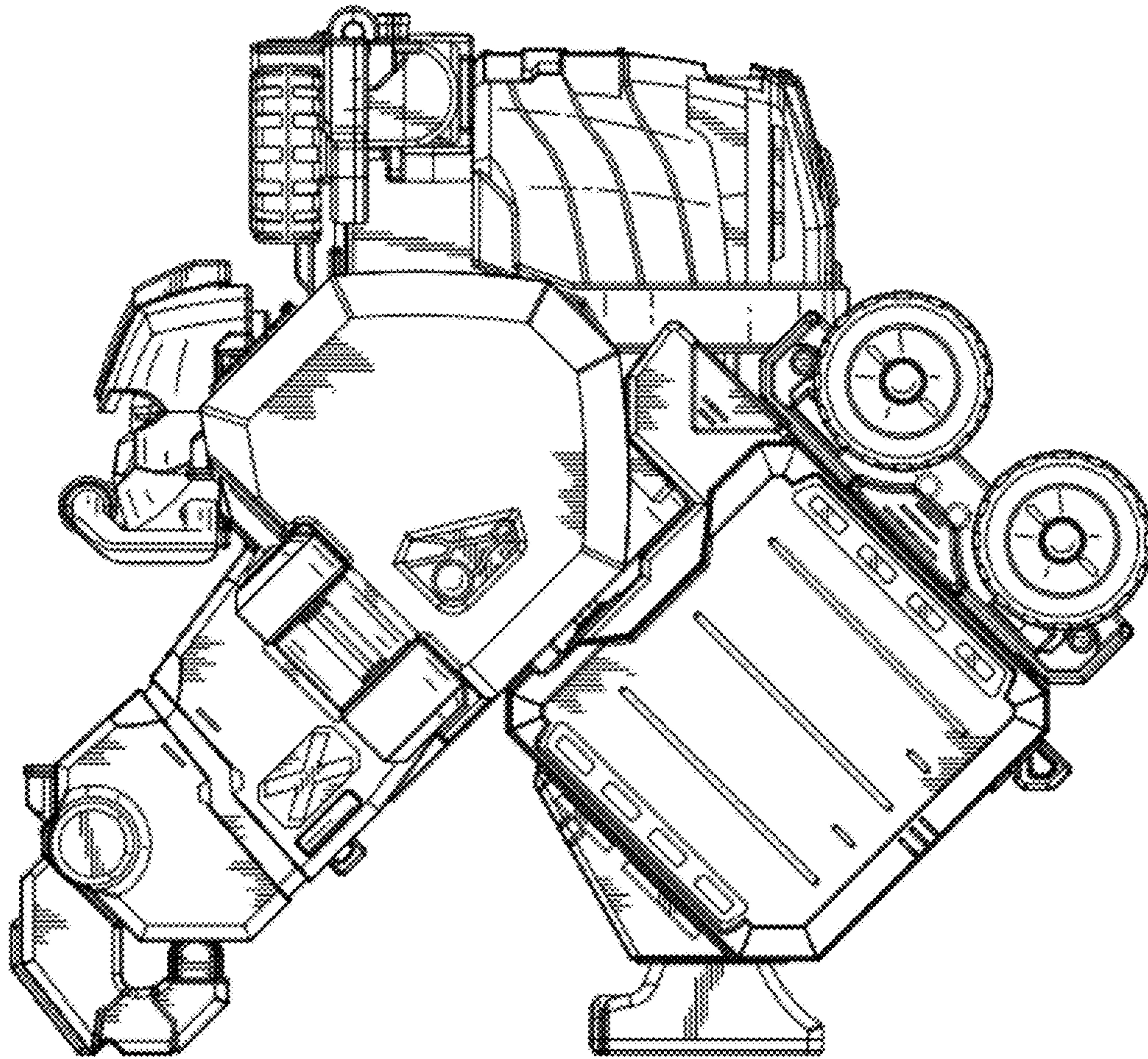


FIG. 1

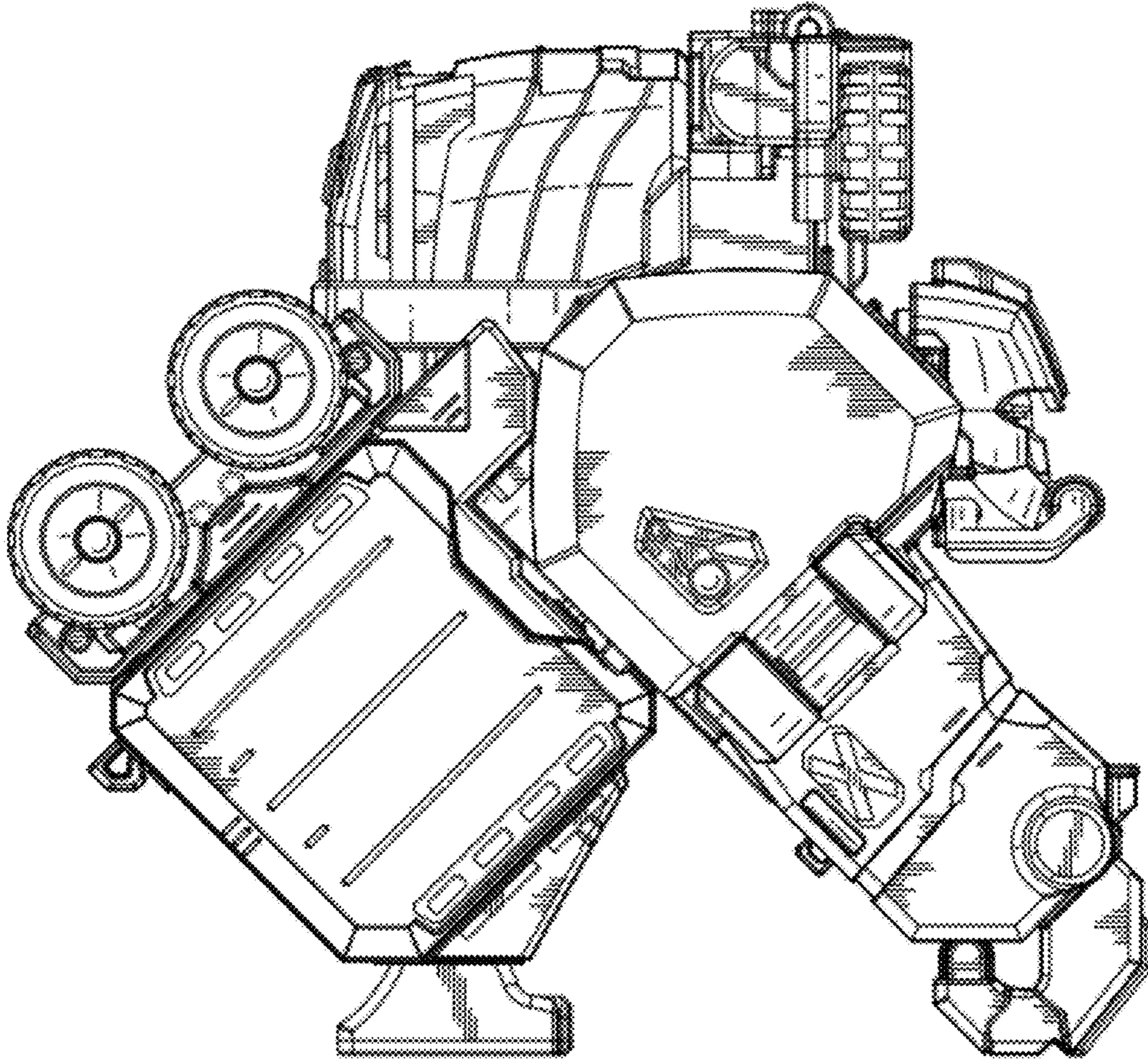


FIG. 2

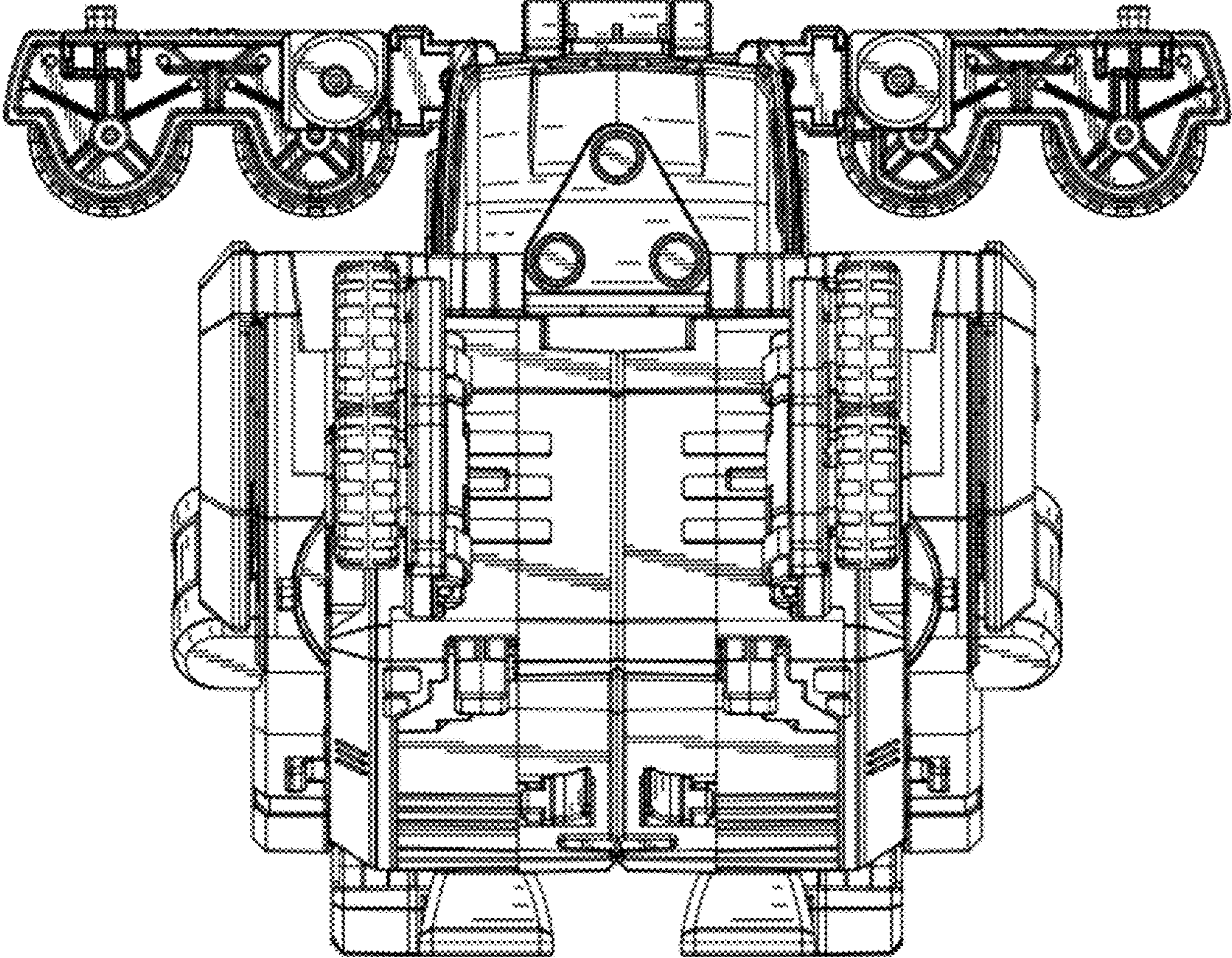


FIG. 3

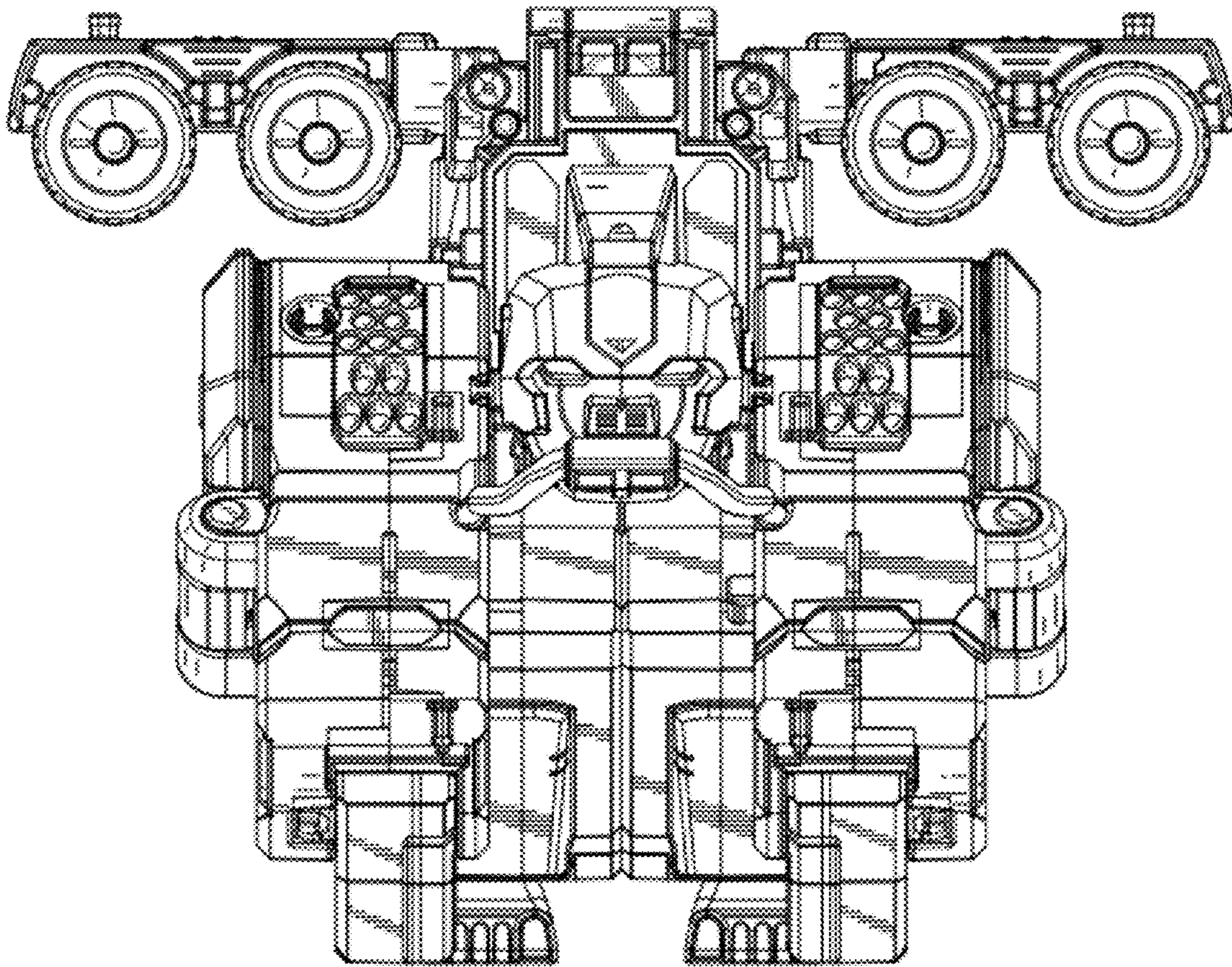


FIG. 4

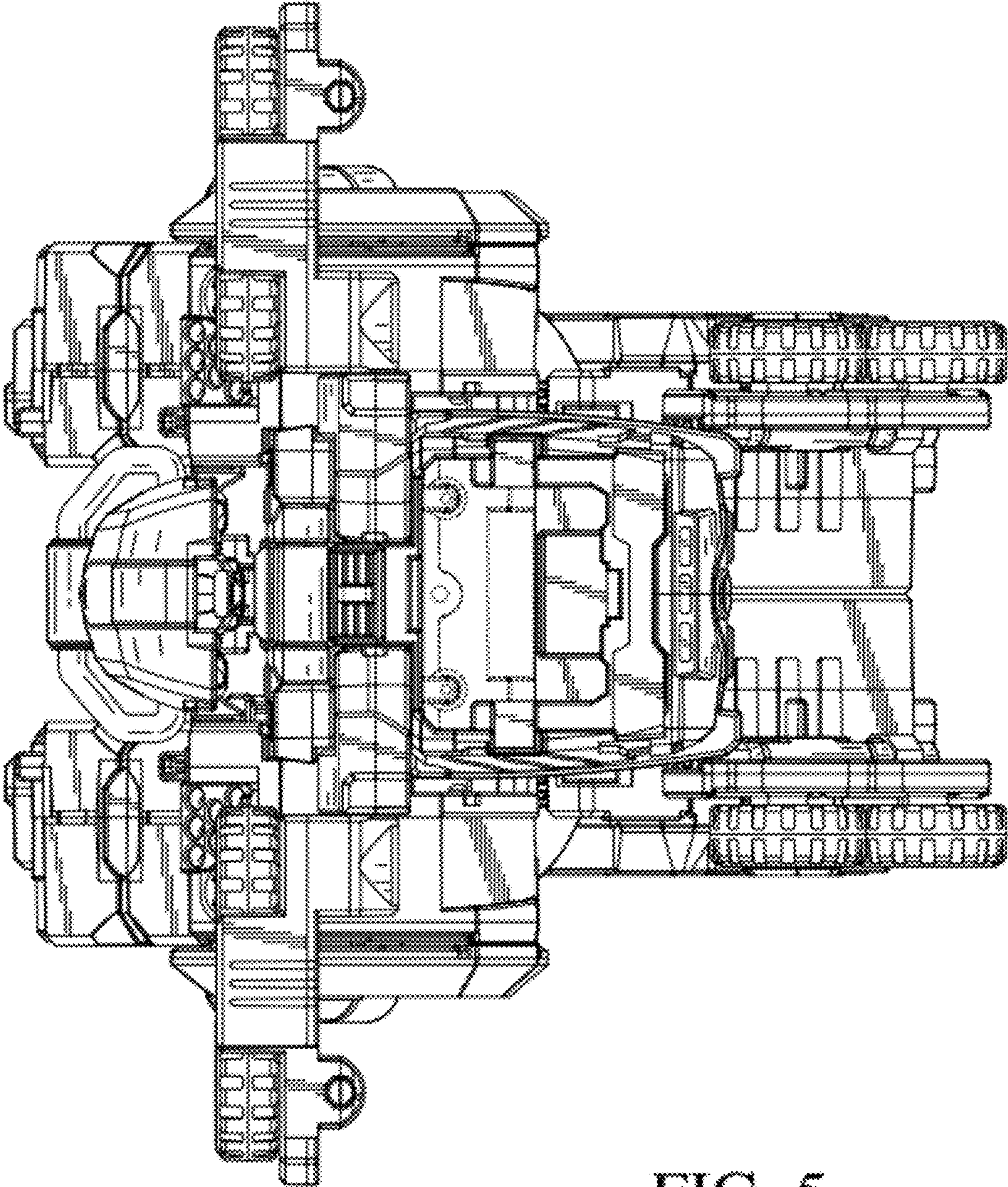


FIG. 5

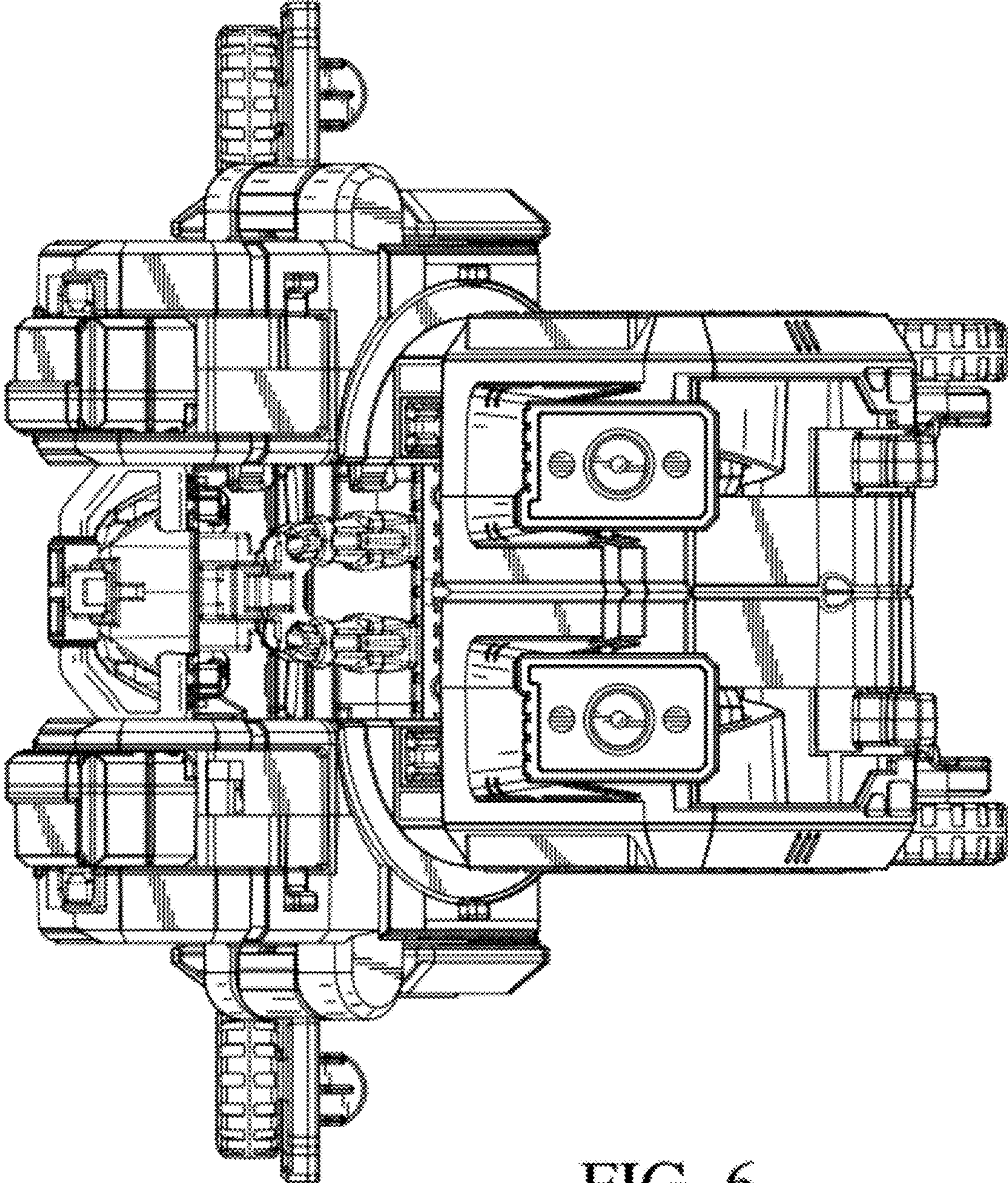


FIG. 6

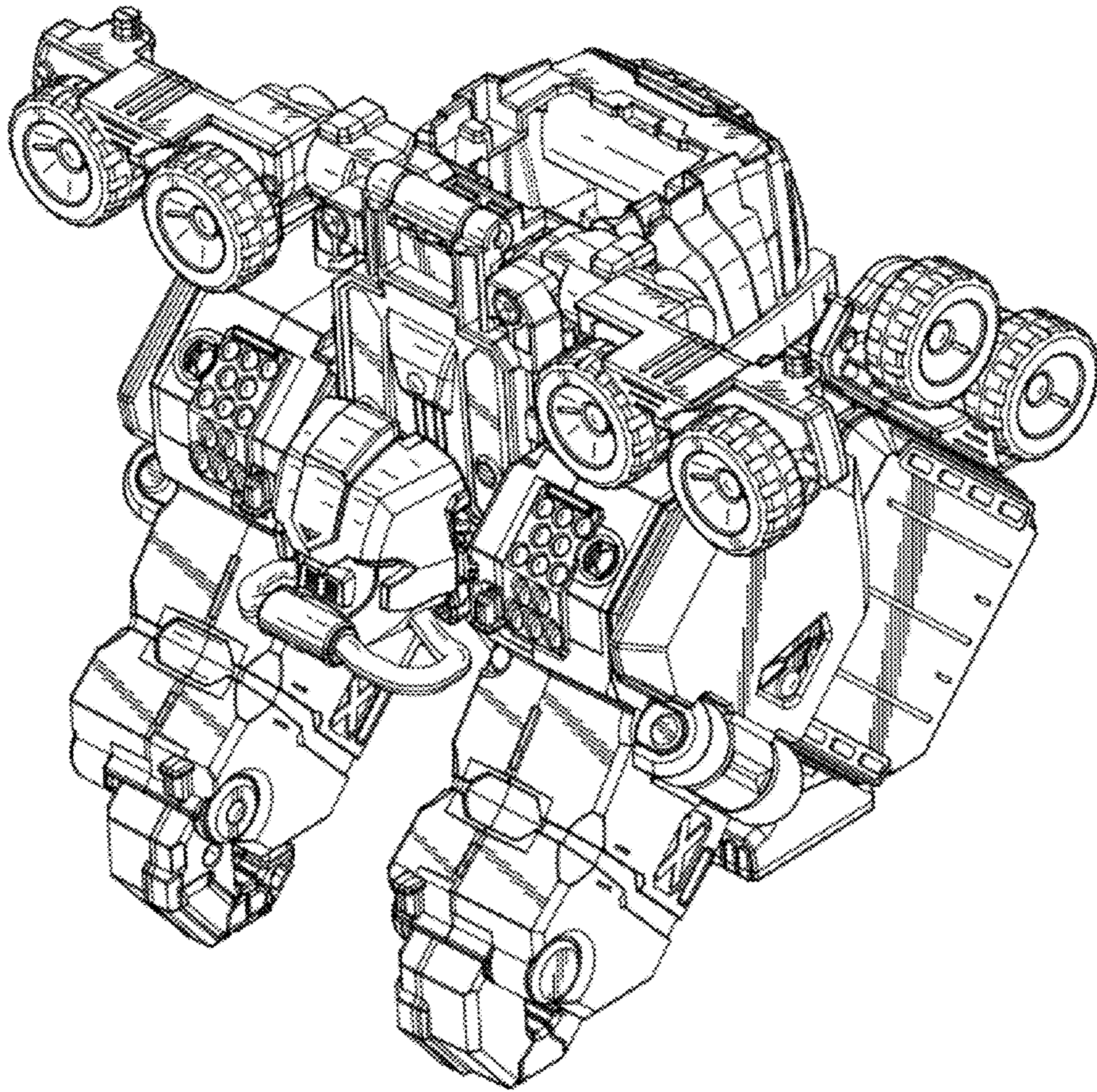


FIG. 7

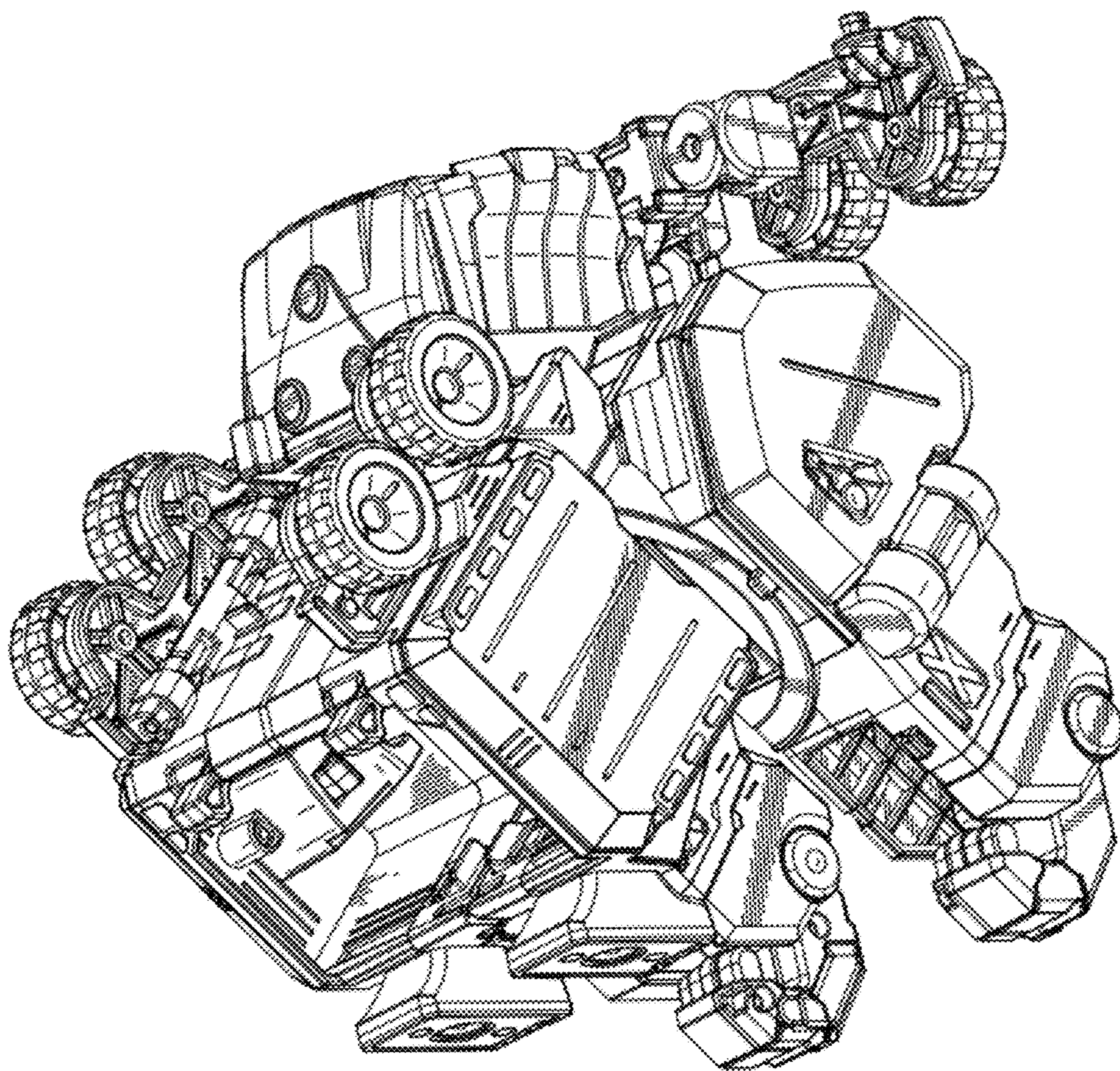


FIG. 8

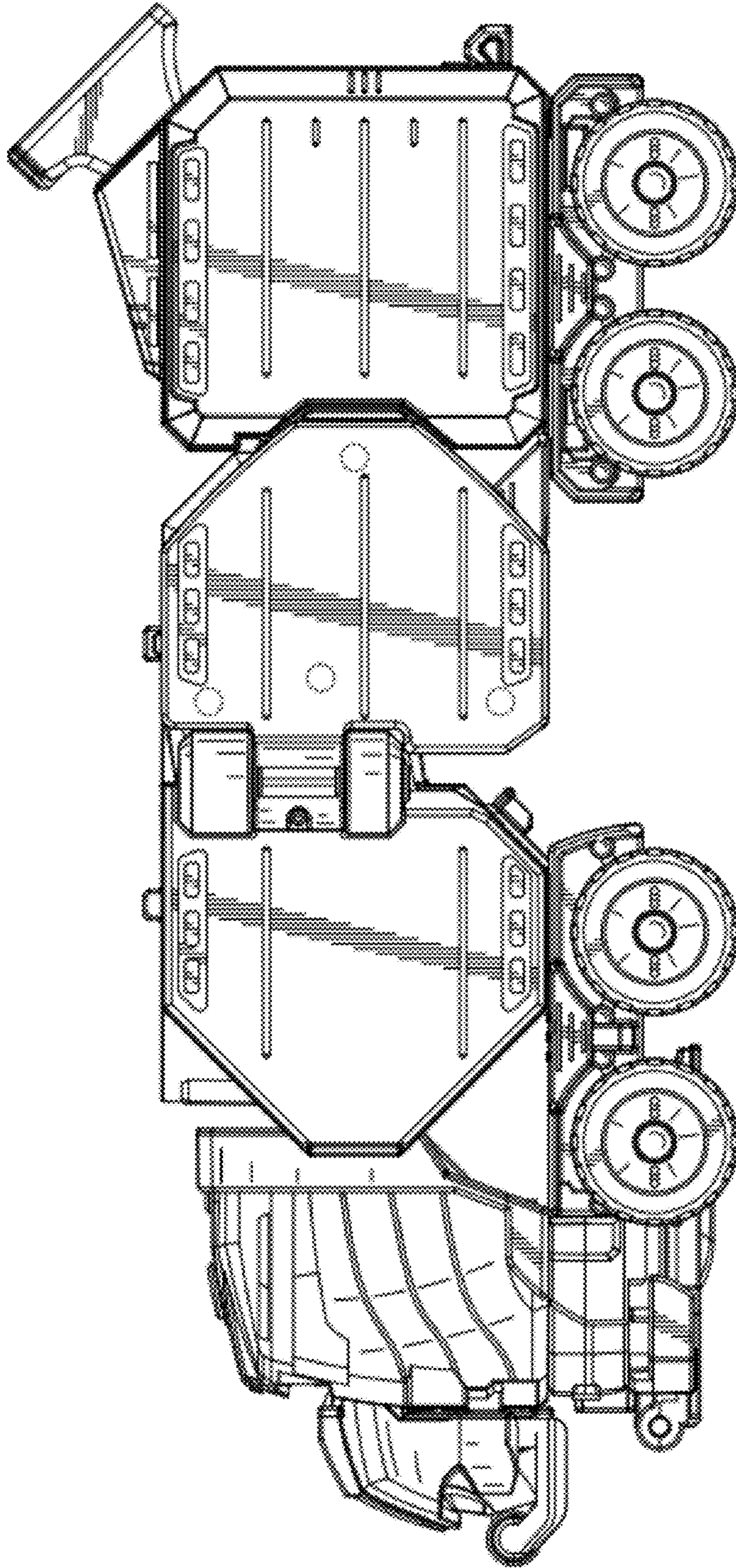


FIG. 9

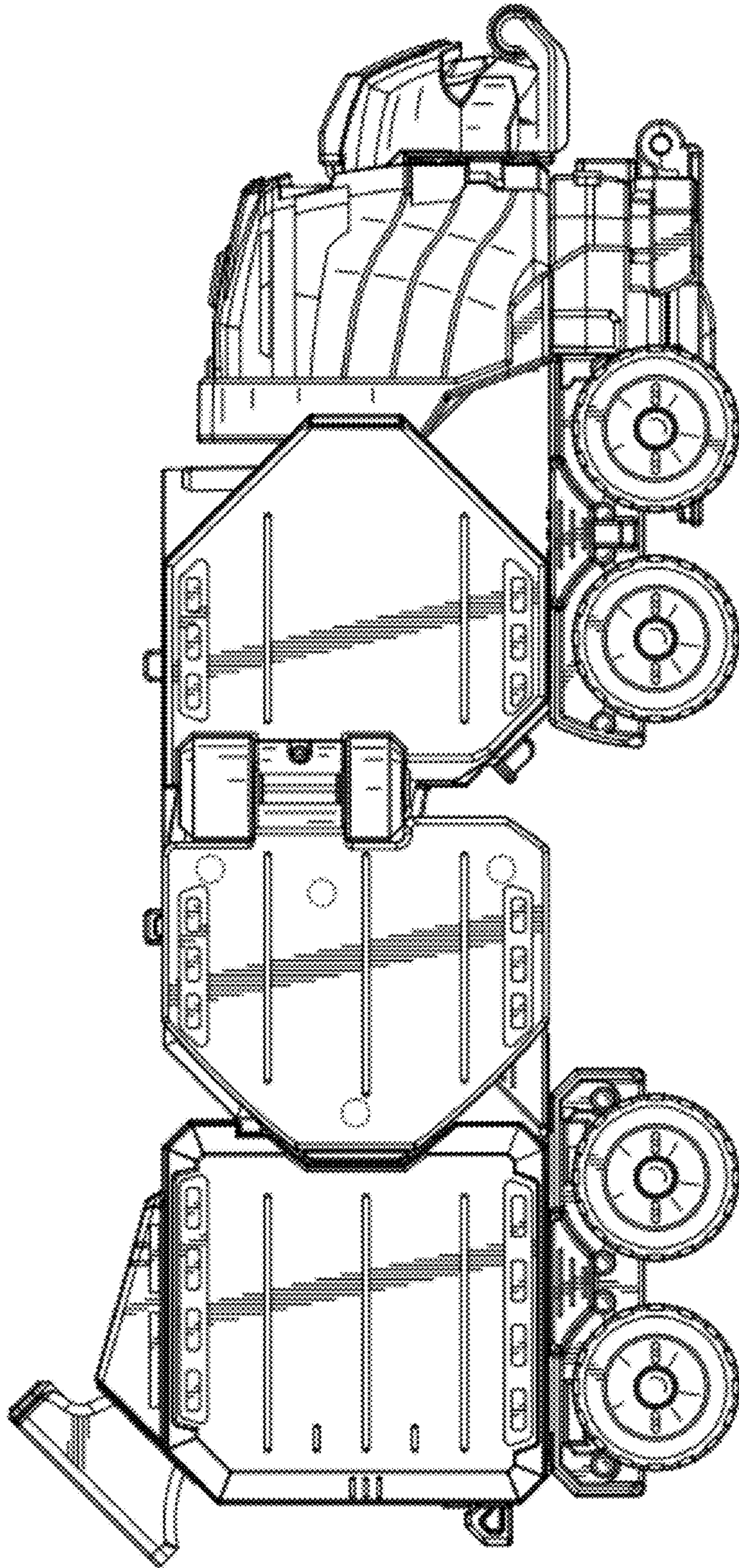


FIG. 10

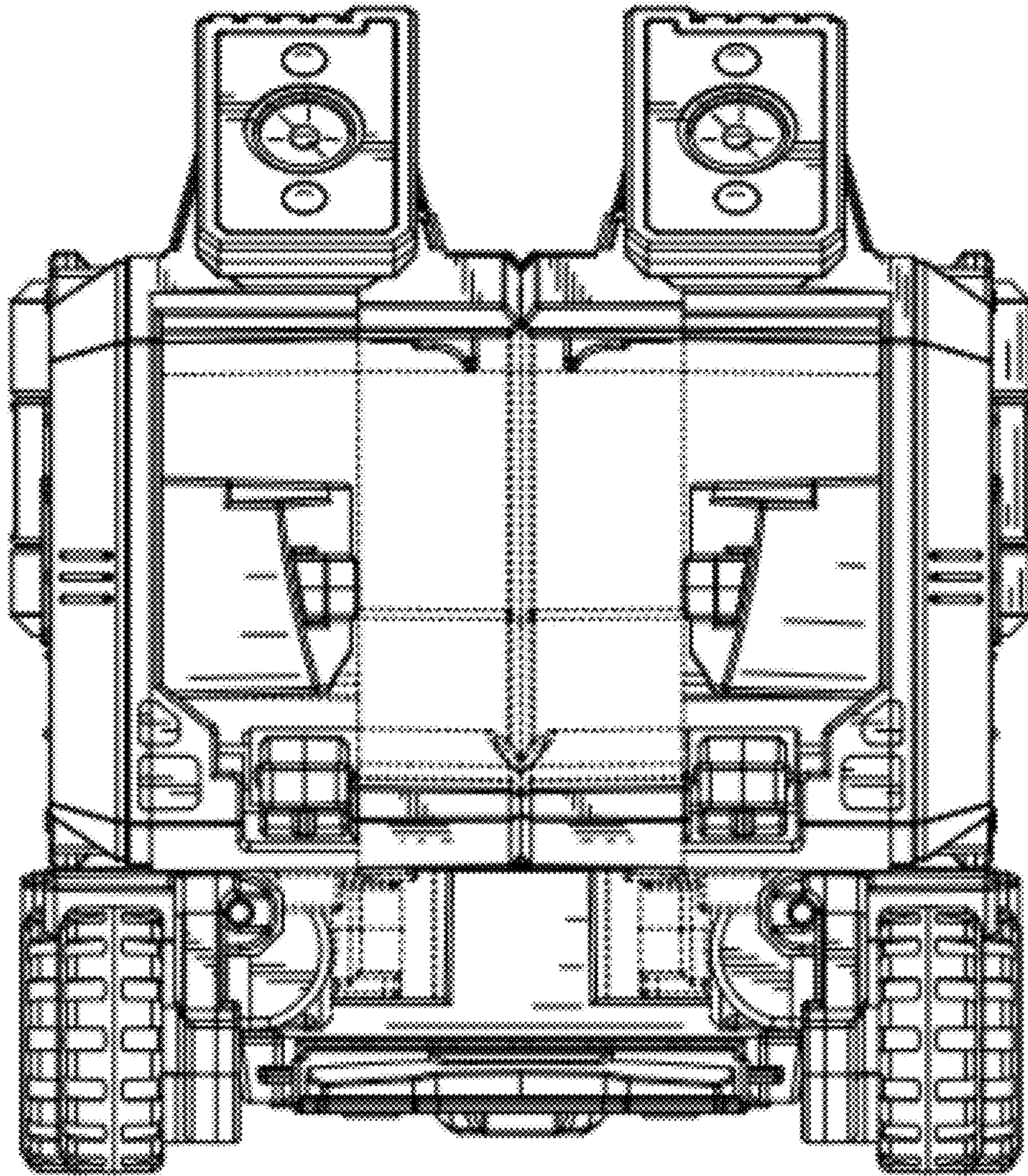


FIG. 11

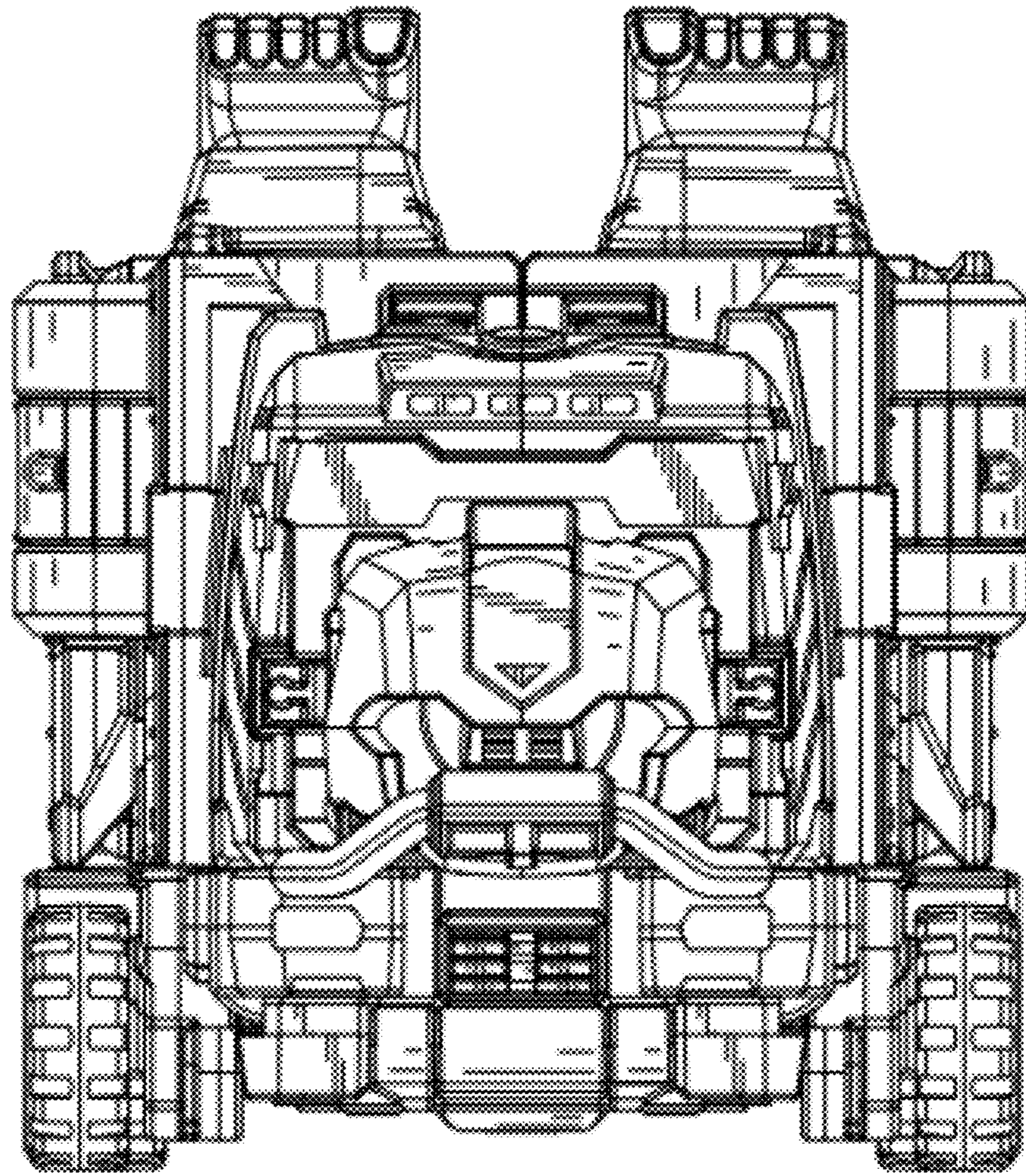


FIG. 12

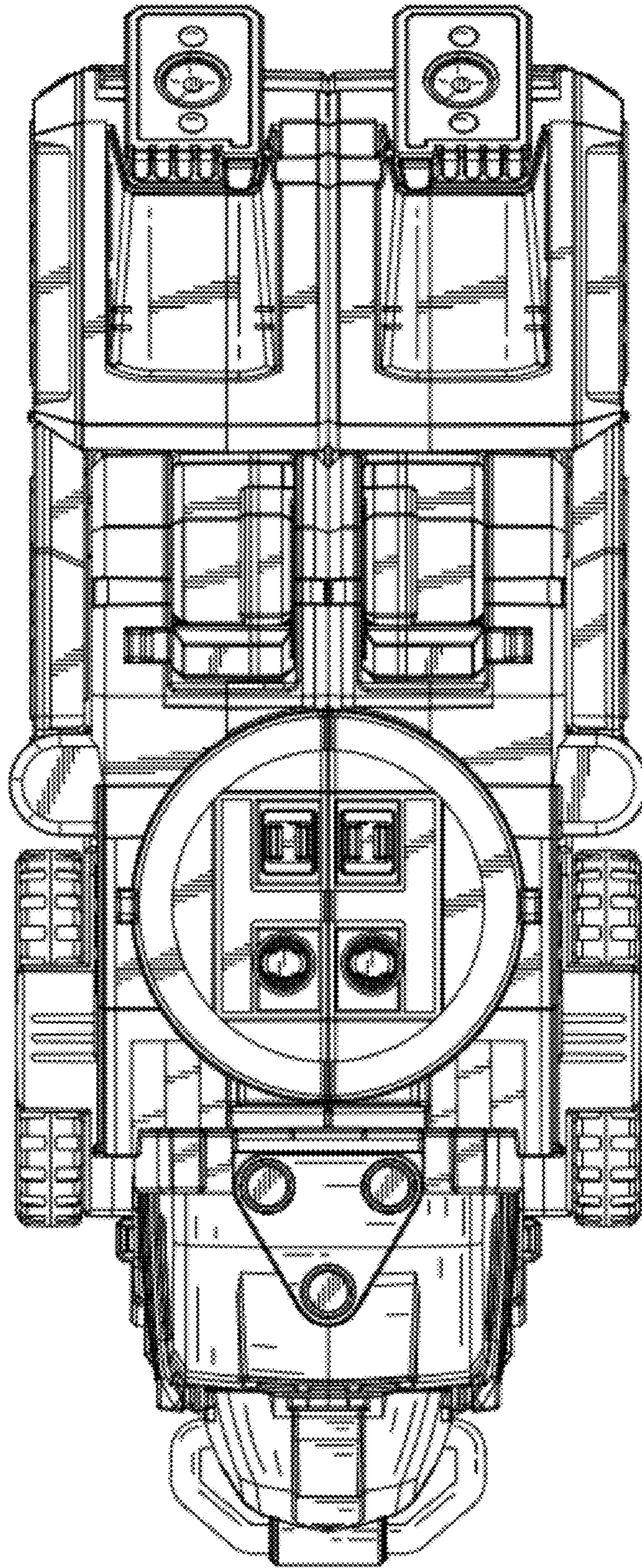


FIG. 13

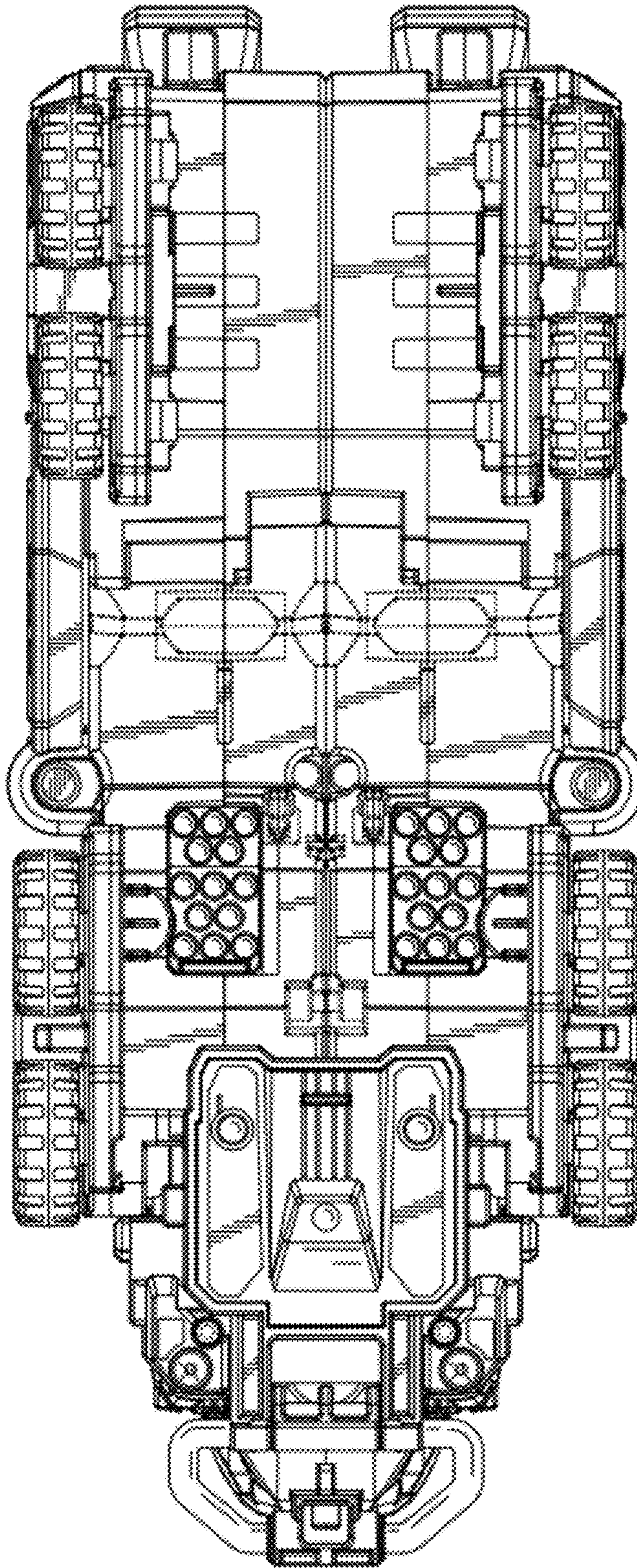


FIG. 14

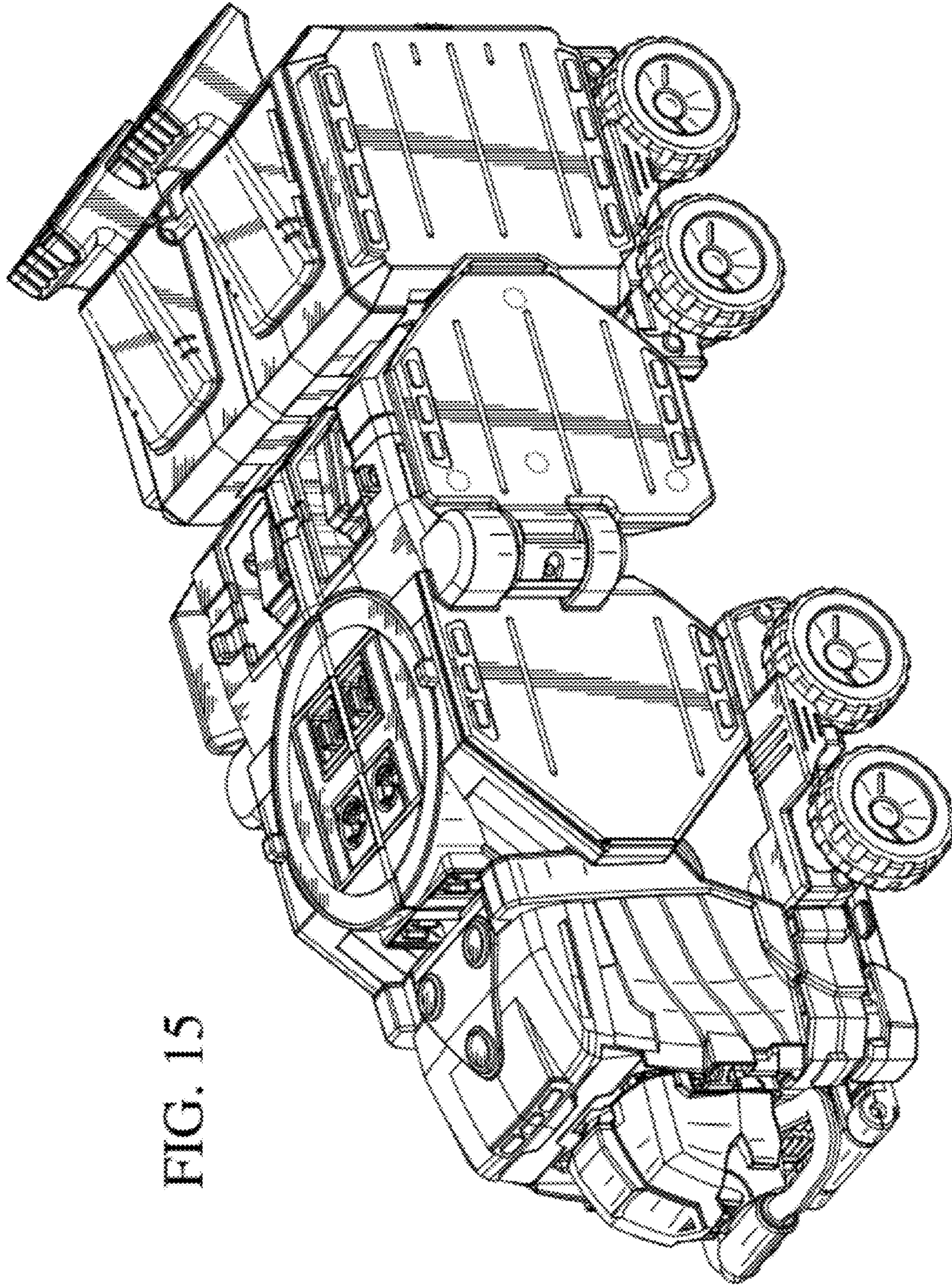
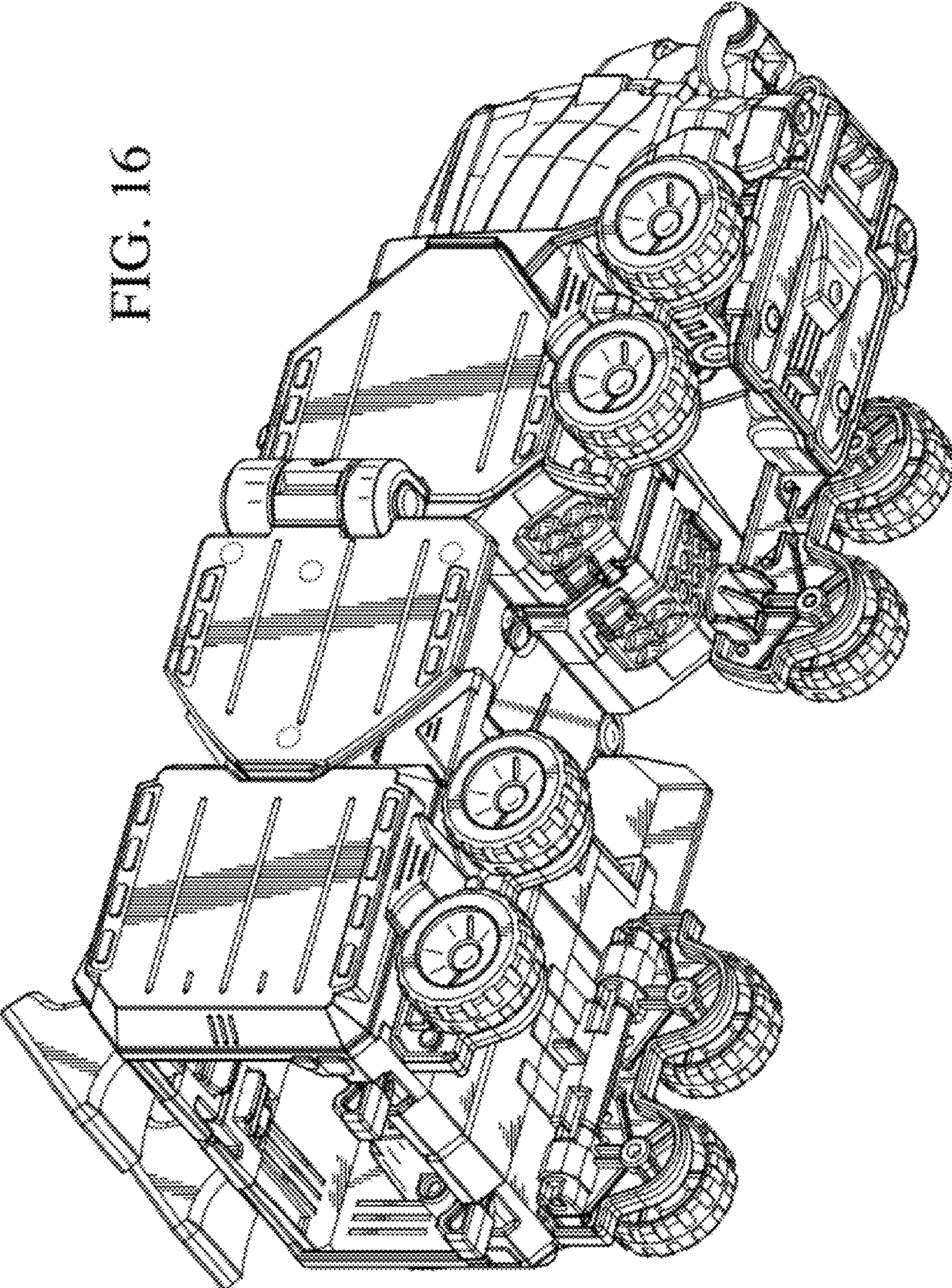


FIG. 15

FIG. 16



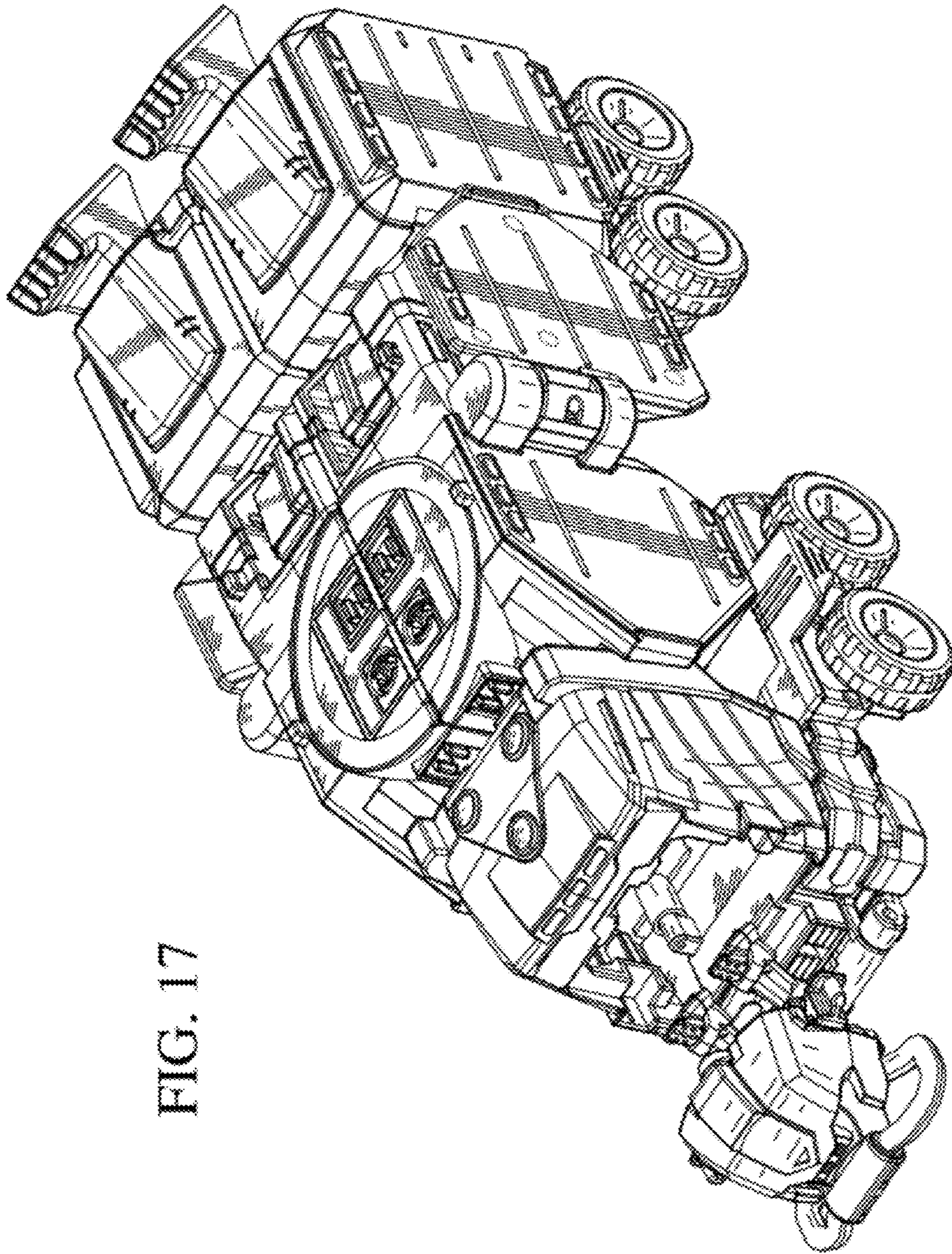


FIG. 17

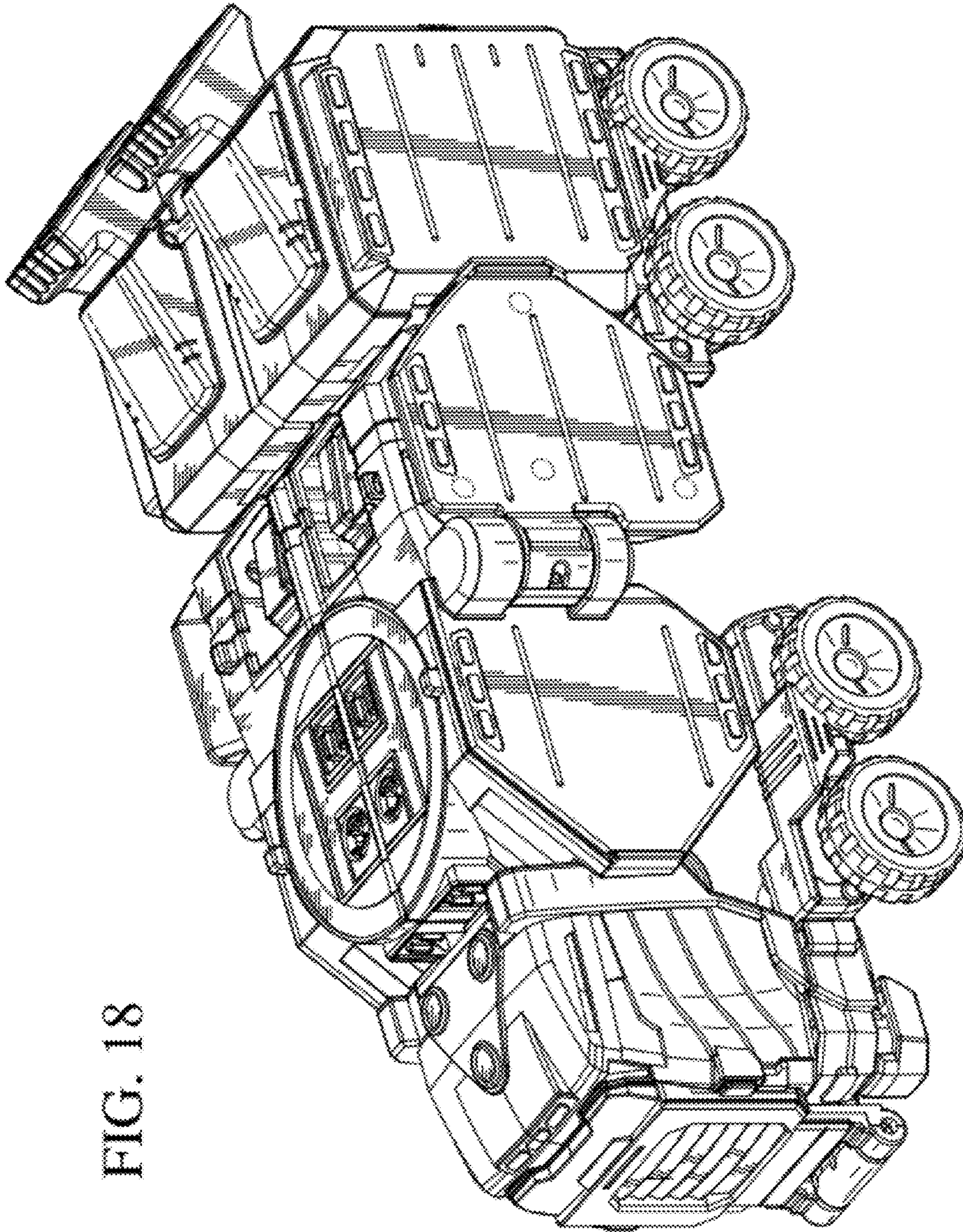


FIG. 18