



US00D674028S

(12) **United States Design Patent**
Takahashi et al.

(10) **Patent No.:** **US D674,028 S**
(45) **Date of Patent:** **** Jan. 8, 2013**

(54) **TRANSFORMABLE TOY**

DESCRIPTION

(75) Inventors: **Hideyuki Takahashi**, Tokyo (JP);
Takamichi Murayama, Tokyo (JP);
Kengo Nakanishi, Tokyo (JP); **Naomi**
Takebe, Tokyo (JP); **Kazuhiro Kikuchi**,
Tokyo (JP)

(73) Assignee: **Bandai Co., Ltd.**, Tokyo (JP)

(**) Term: **14 Years**

(21) Appl. No.: **29/422,654**

(22) Filed: **May 22, 2012**

(30) **Foreign Application Priority Data**

Nov. 23, 2011 (JP) 2011-027053

(51) **LOC (9) Cl.** **21-01**

(52) **U.S. Cl.** **D21/579**

(58) **Field of Classification Search** D21/578-583,
D21/621, 622; 446/268-274, 279, 280, 285,
446/289-292, 294, 297-303, 353-355, 376-384;
D15/199; 318/568.11, 568.12, 568.2
See application file for complete search history.

(56) **References Cited**

U.S. PATENT DOCUMENTS

D288,830 S * 3/1987 Obara D21/579
(Continued)

Primary Examiner — Zenia Bennett

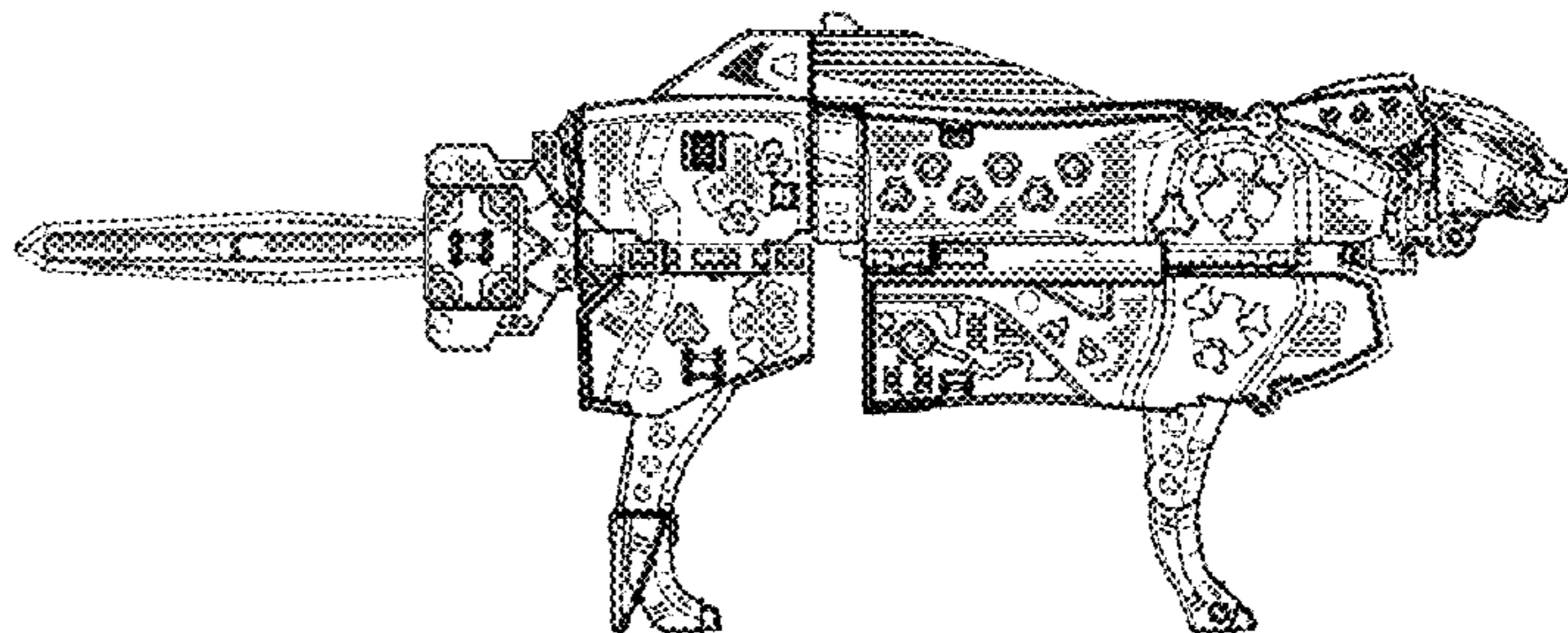
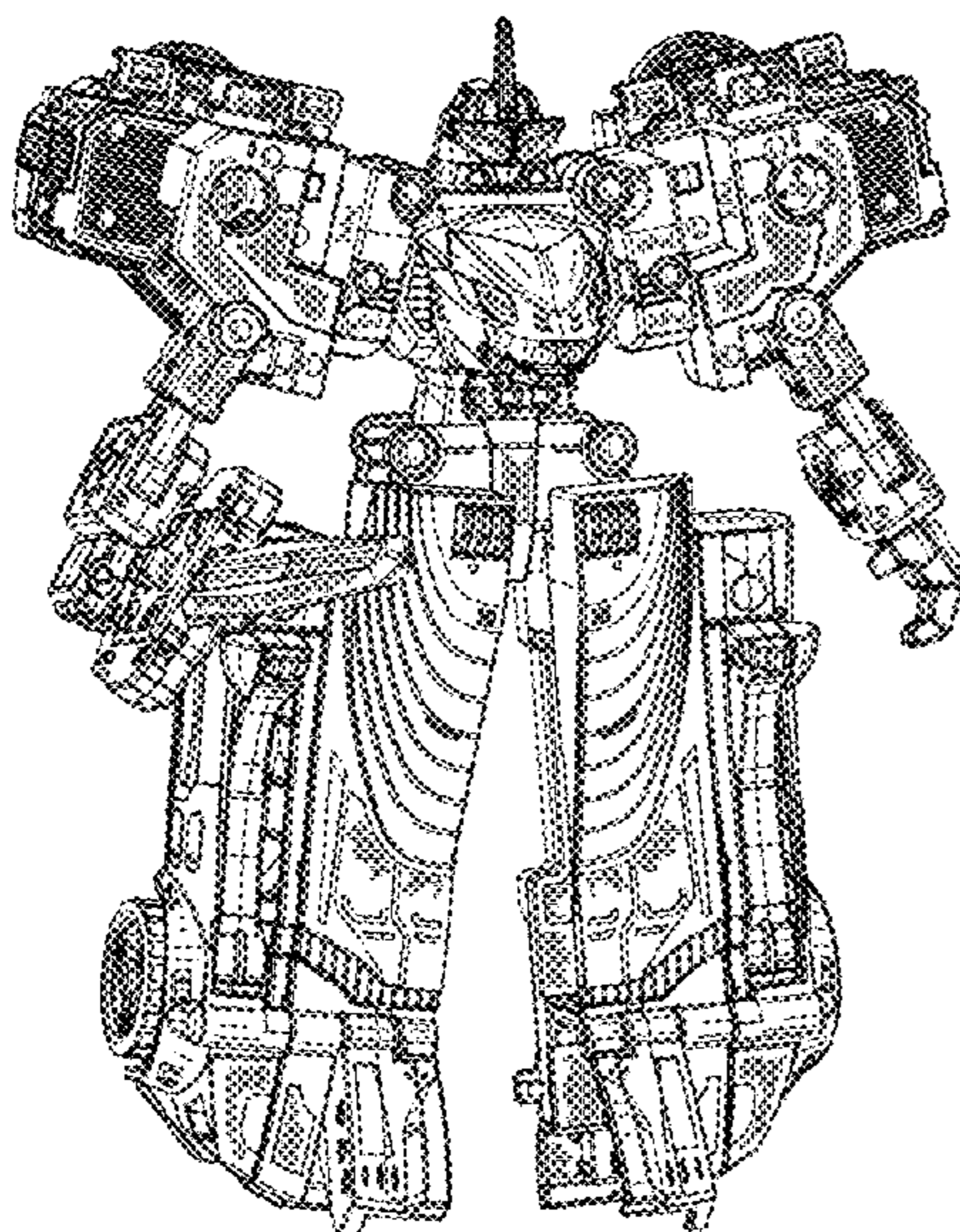
(74) *Attorney, Agent, or Firm* — Rabin & Berdo, P.C.

(57) **CLAIM**

The ornamental design for a transformable toy, as shown and described.

FIG. 1 is a front view of the human form of a transformable toy;
FIG. 2 is a rear view of the human form thereof;
FIG. 3 is a right side view of the human form thereof;
FIG. 4 is a left side view of the human form thereof;
FIG. 5 is a top view of the human form thereof;
FIG. 6 is a bottom view of the human form thereof;
FIG. 7 is a perspective view of the human form thereof;
FIG. 8 is another perspective view of the human form thereof;
FIG. 9 is a reference view of the human form with sword thereof;
FIG. 10 is a front view of the animal form thereof;
FIG. 11 is a rear view of the animal form thereof;
FIG. 12 is a right side view of the animal form thereof;
FIG. 13 is a left side view of the animal form thereof;
FIG. 14 is a top view of the animal form thereof;
FIG. 15 is a bottom view of the animal form thereof;
FIG. 16 is a perspective view of the animal form thereof;
FIG. 17 is a perspective view of the animal form thereof;
FIG. 18 is a front view of the vehicle form thereof;
FIG. 19 is a rear view of the vehicle form thereof;
FIG. 20 is a right side view of the vehicle form thereof;
FIG. 21 is a left side view of the vehicle form thereof;
FIG. 22 is a top view of the vehicle form thereof;
FIG. 23 is a bottom view of the vehicle form thereof;
FIG. 24 is a perspective view of the vehicle form thereof;
FIG. 25 is another perspective view of the vehicle form thereof;
FIG. 26 is a reference view of the detachable mode thereof;
and,
FIG. 27 is another reference view of the detachable mode thereof.
This product can reversibly change into a human, animal and vehicle forms.

1 Claim, 22 Drawing Sheets



US D674,028 S

Page 2

U.S. PATENT DOCUMENTS

D297,034 S *	8/1988	Matsumoto	D21/580	D307,776 S *	5/1990	Shinohara	D21/584
D297,037 S *	8/1988	Matsumoto	D21/580	D307,778 S *	5/1990	Shinohara	D21/584
D301,261 S *	5/1989	Ohno	D21/579	D311,041 S *	10/1990	Shinohara	D21/580
D301,357 S *	5/1989	Kunihiro	D21/580	D622,786 S *	8/2010	Lee	D21/578
D303,410 S *	9/1989	Shinohara	D21/580	D662,154 S *	6/2012	Hara et al.	D21/578
D305,053 S *	12/1989	Doi	D21/584				

* cited by examiner

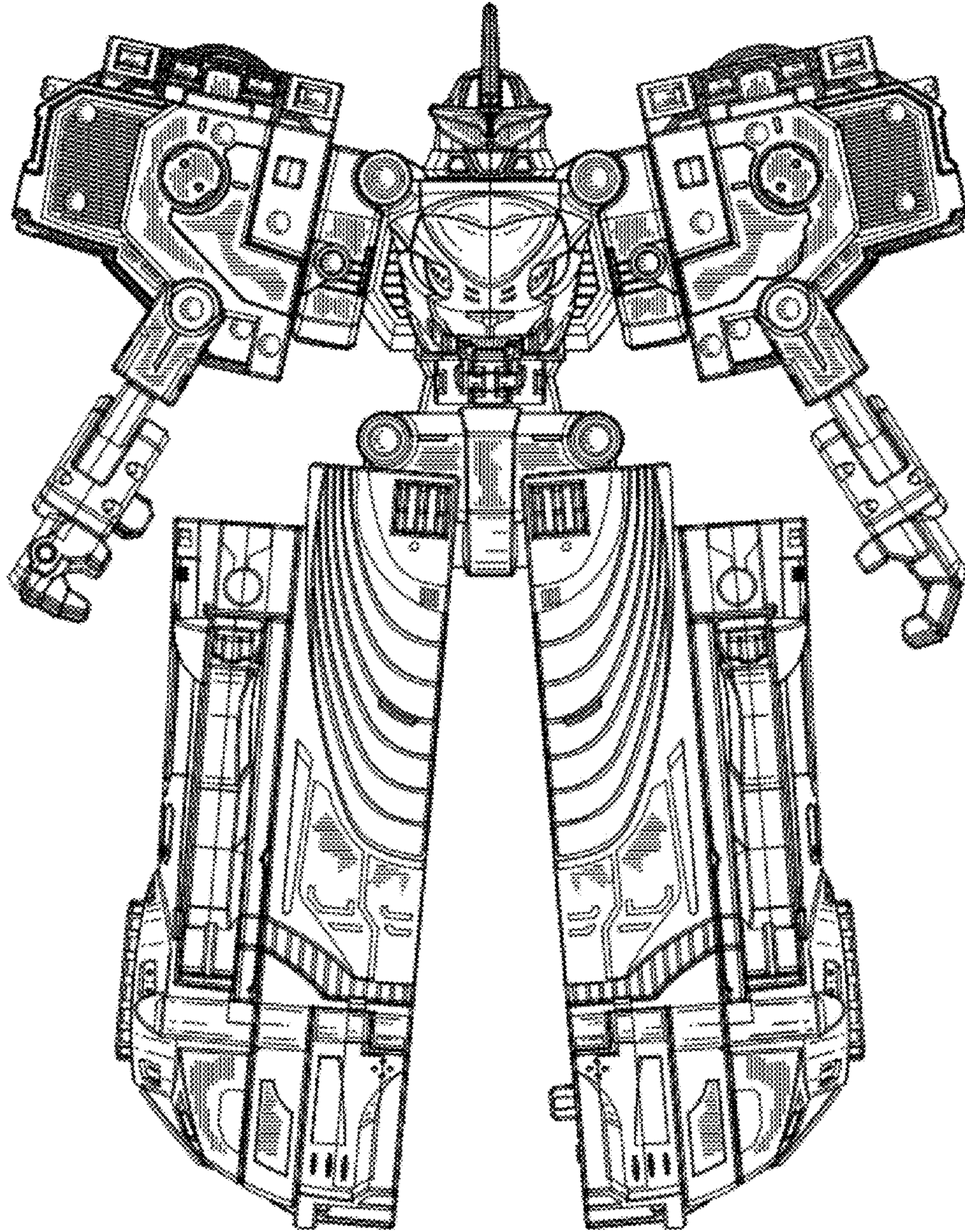


FIG. 1

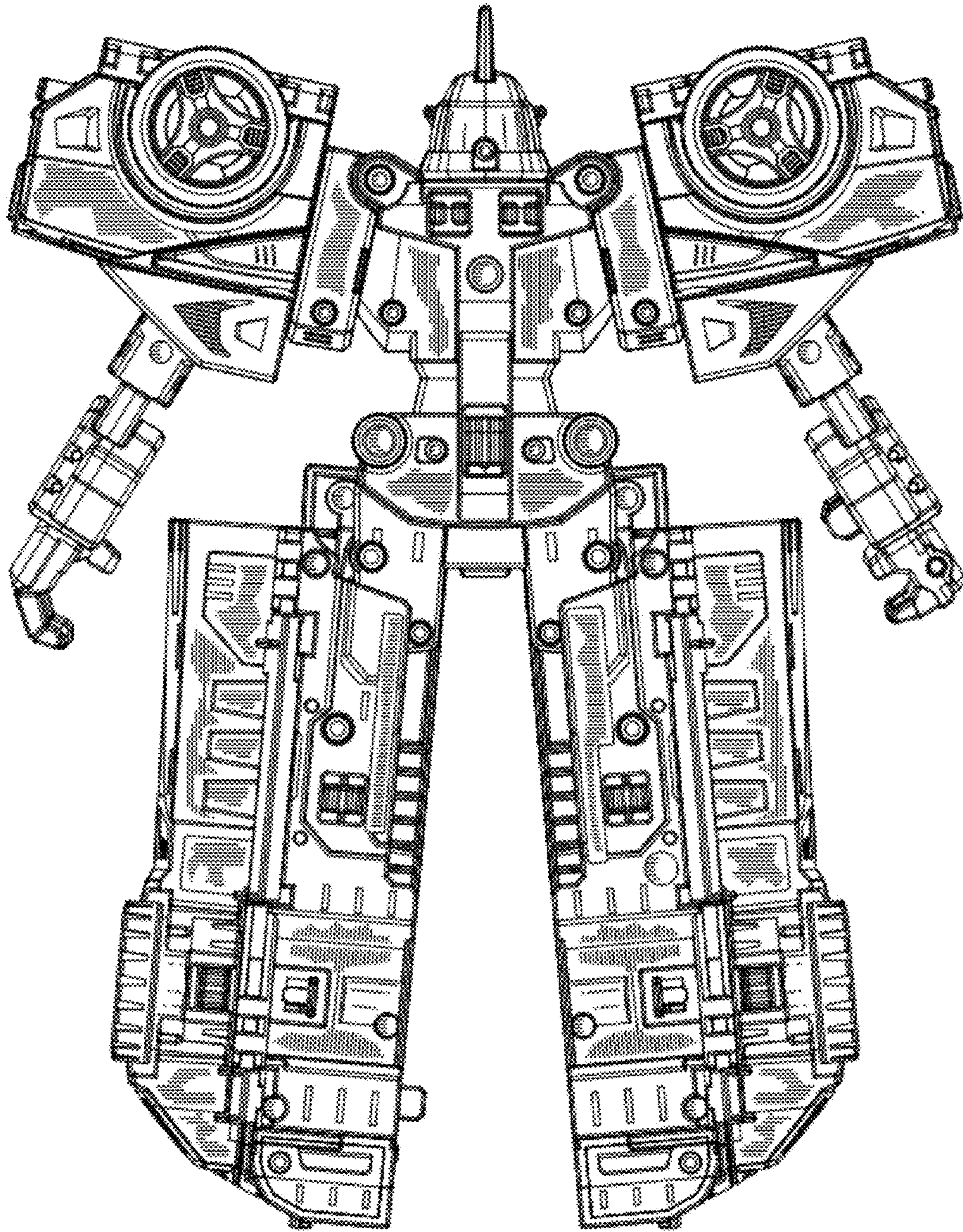


FIG. 2

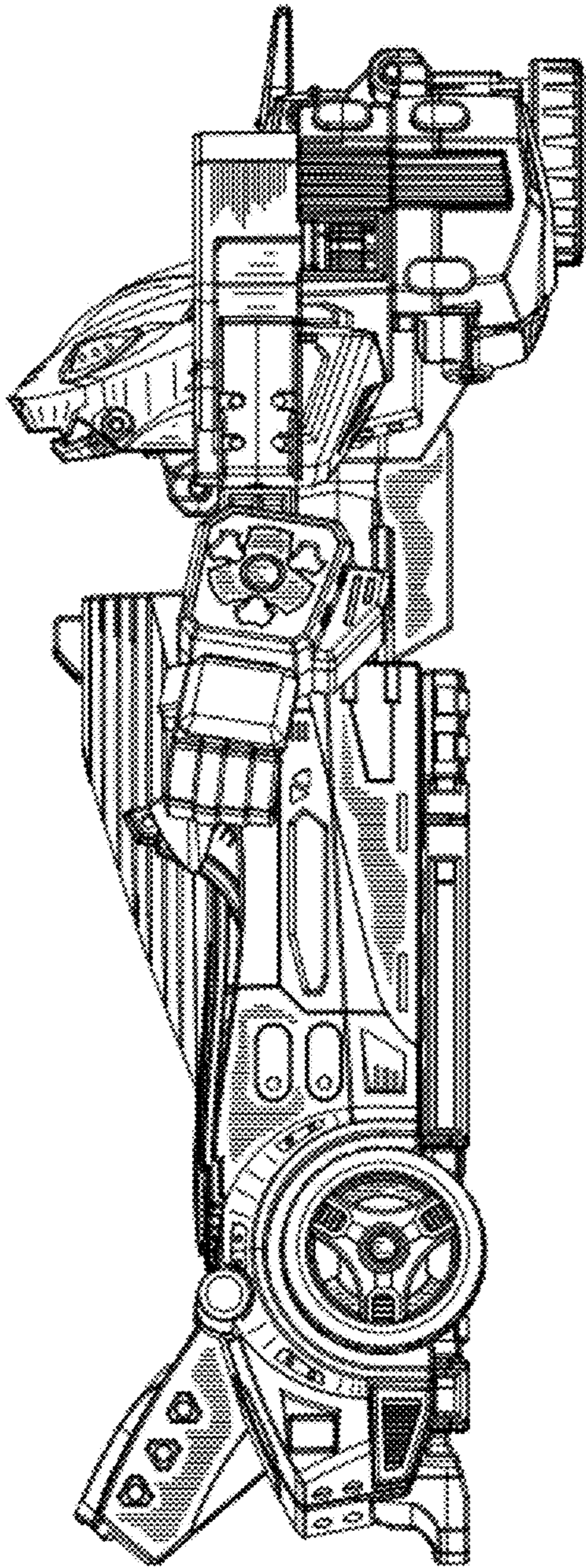


FIG. 3

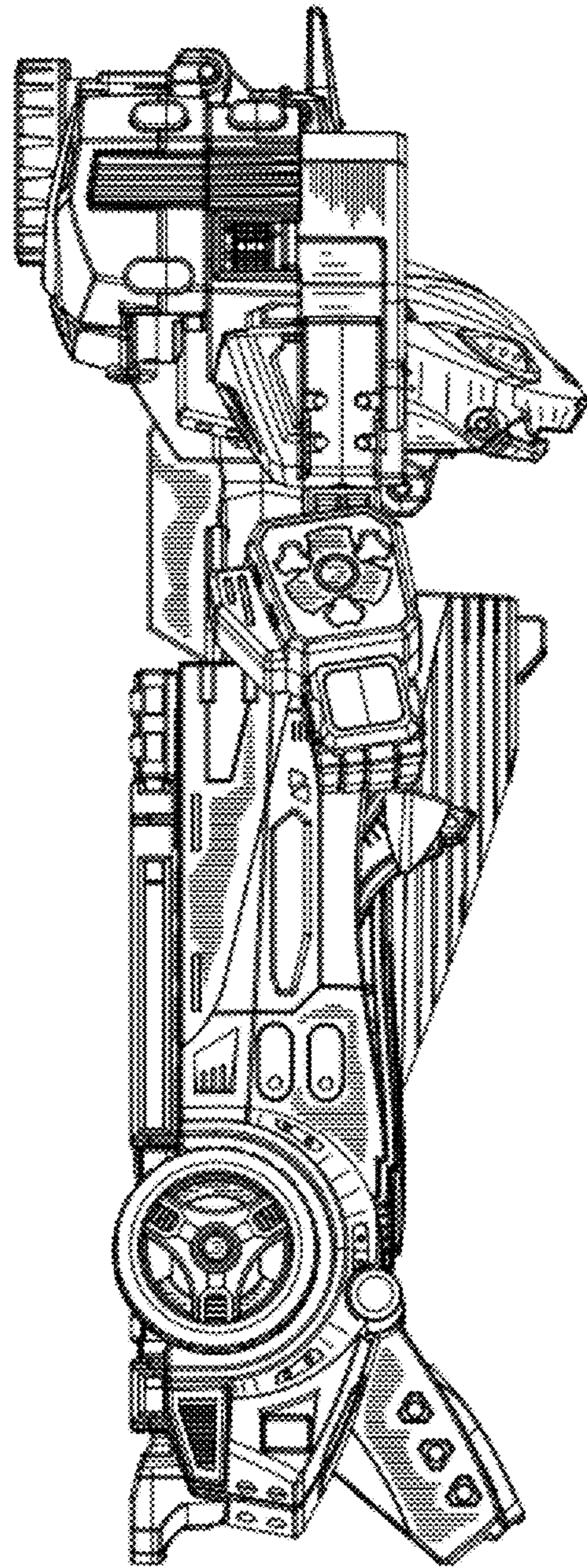


FIG. 4

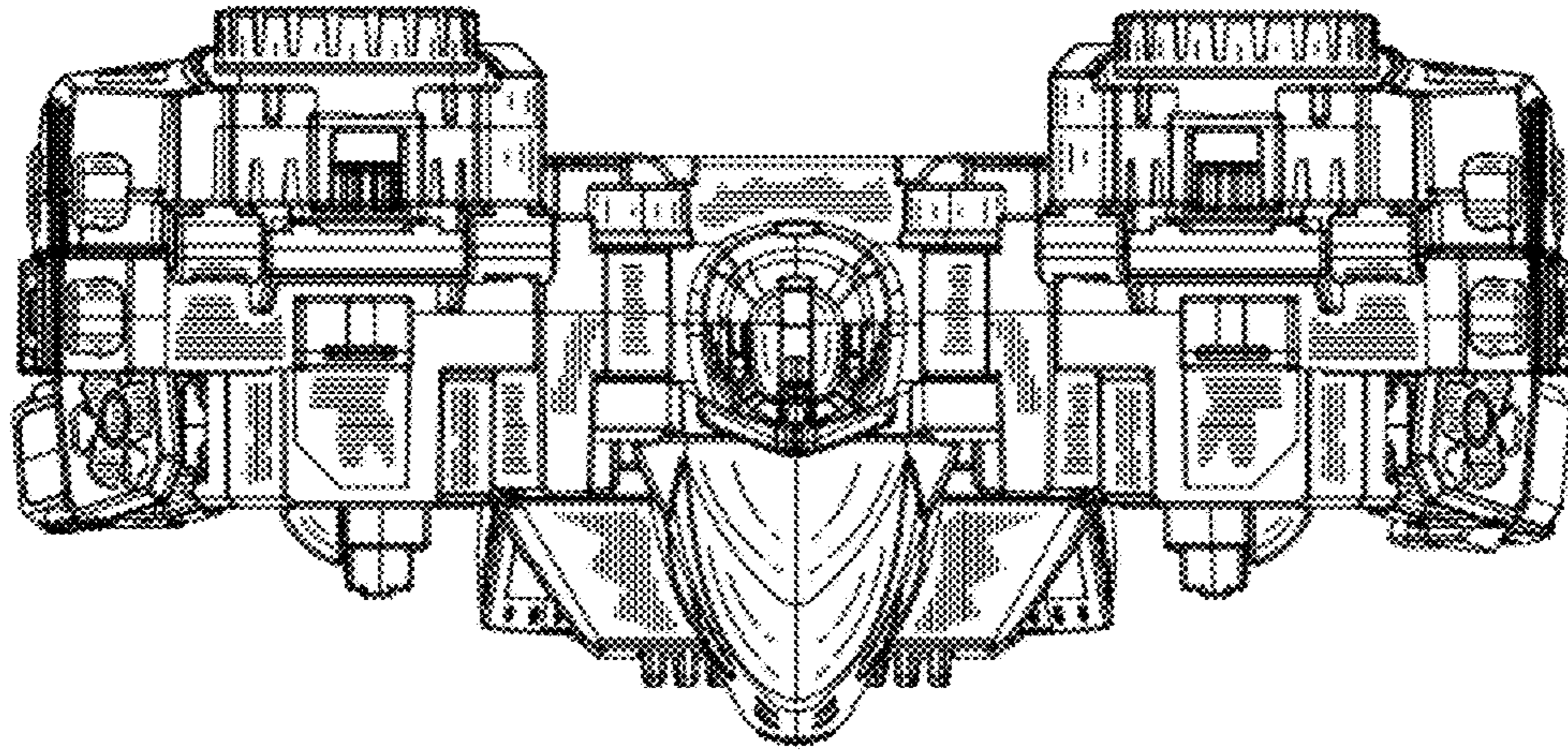


FIG. 5

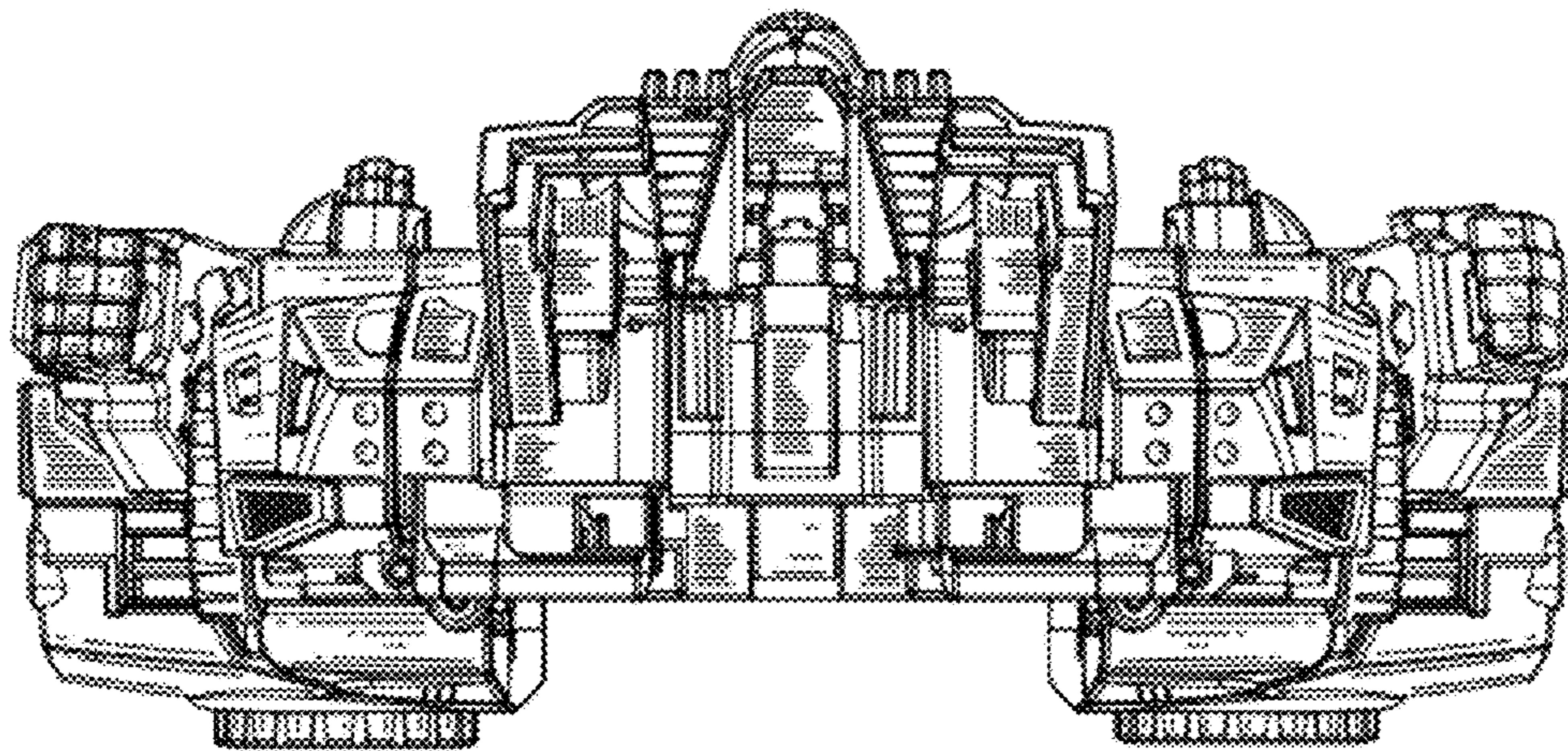


FIG. 6

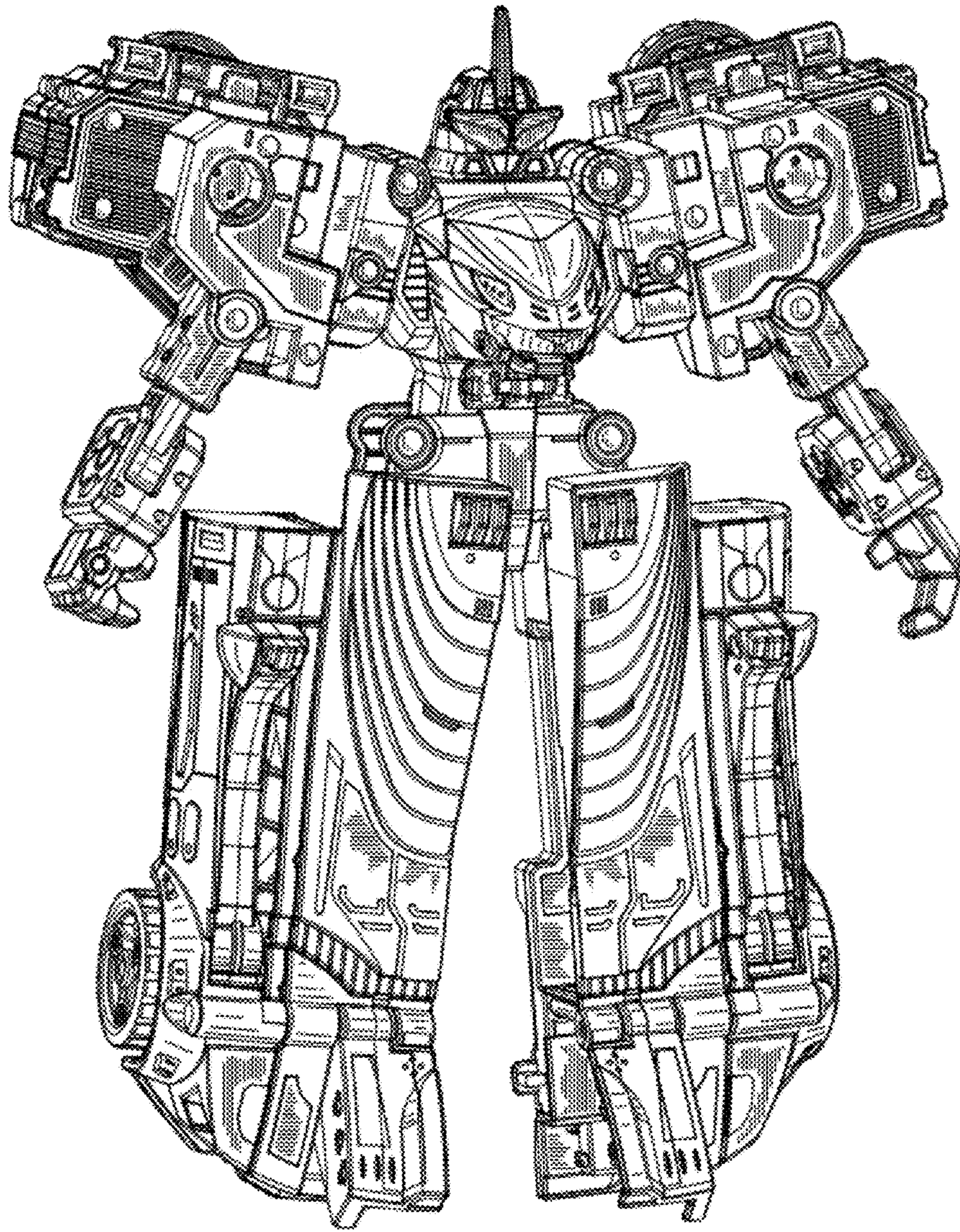


FIG. 7

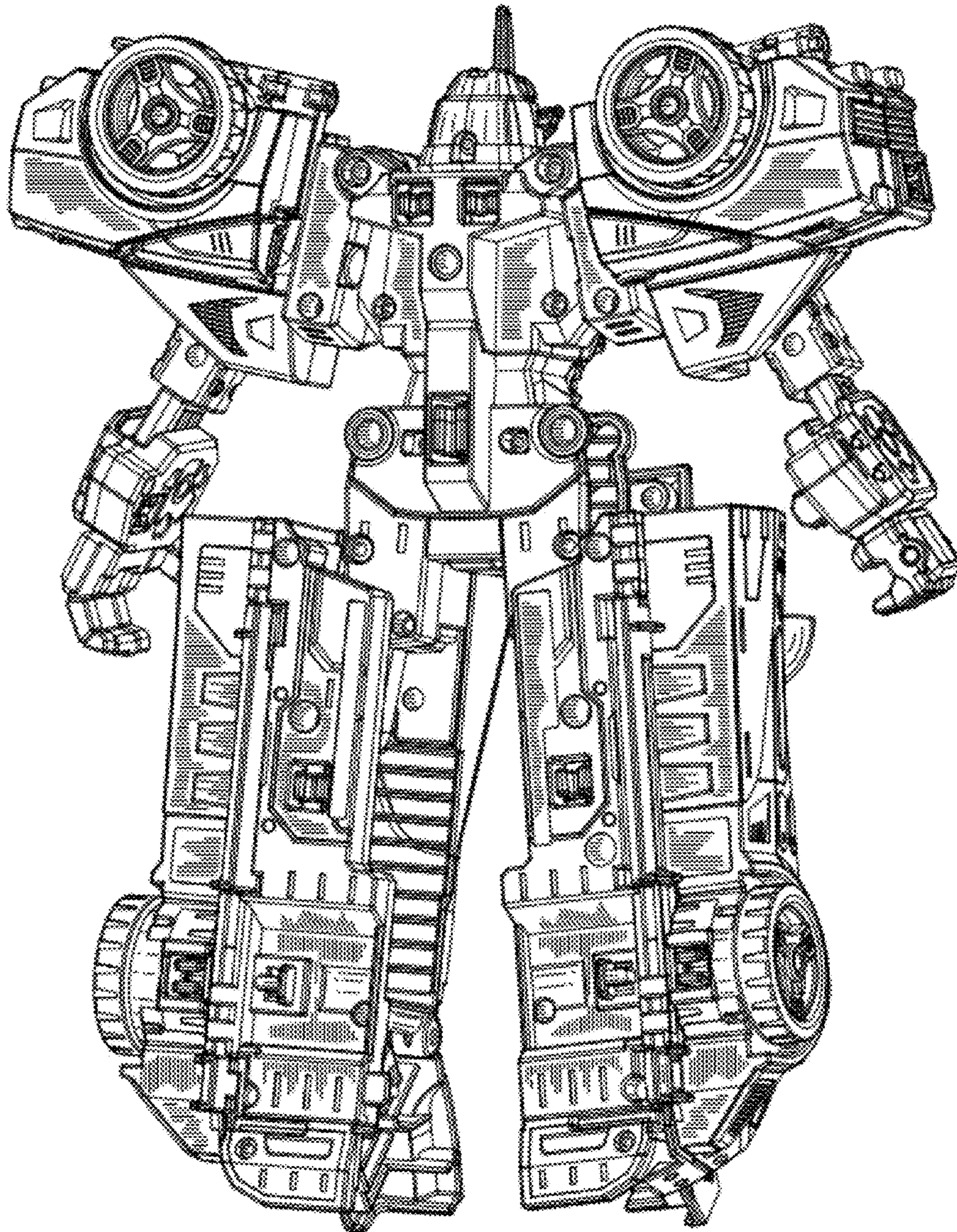


FIG. 8

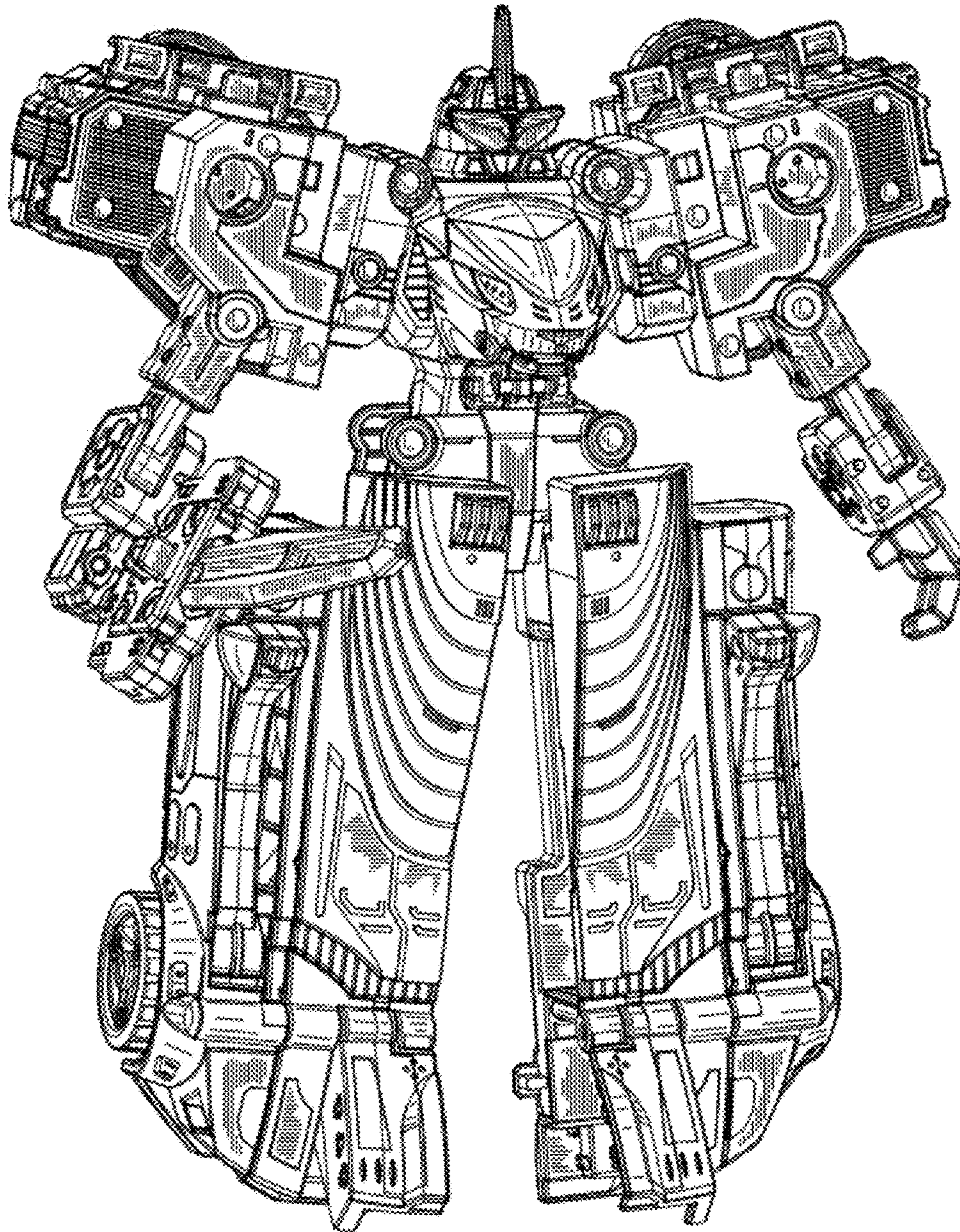


FIG. 9

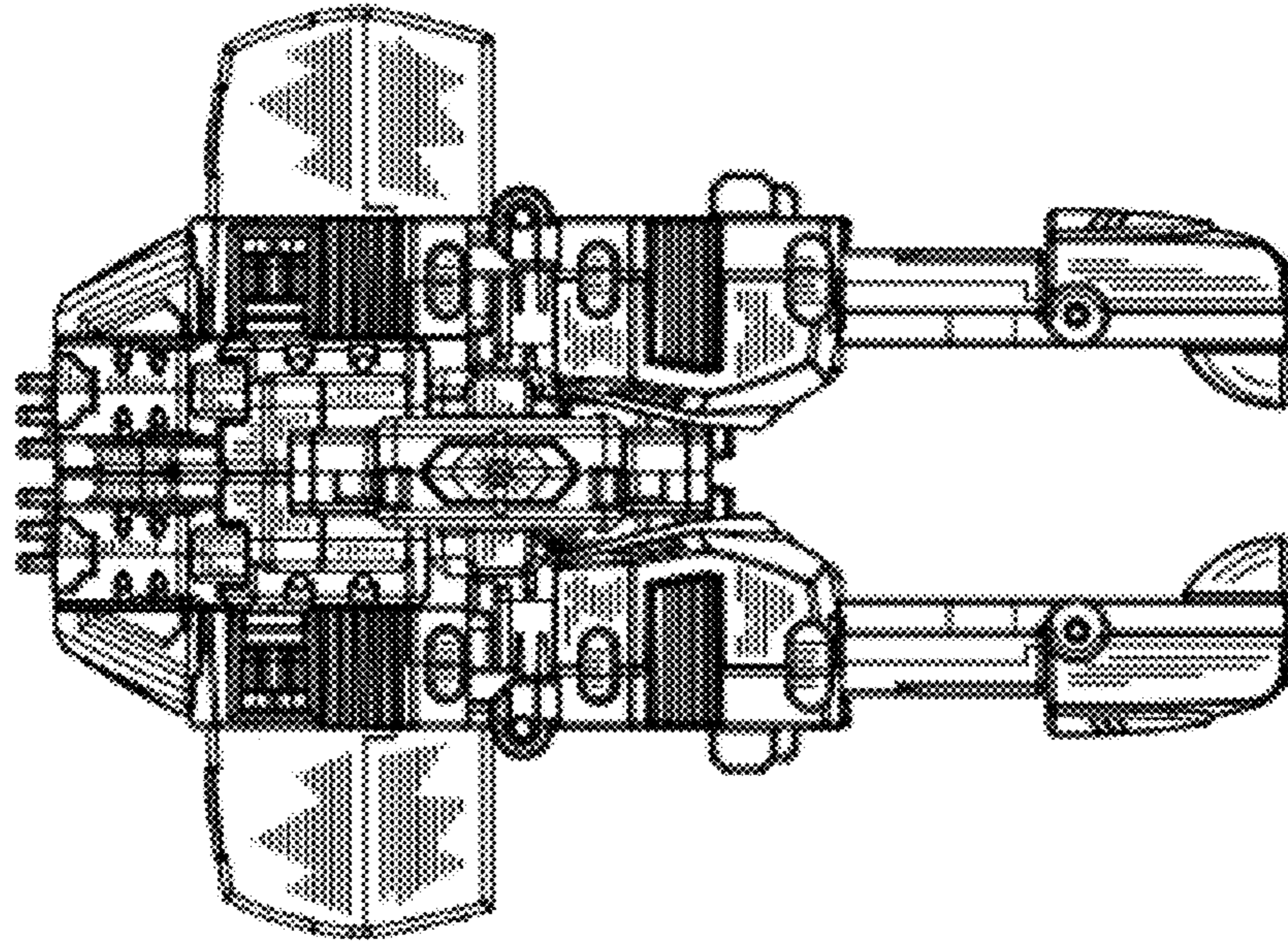


FIG. 11

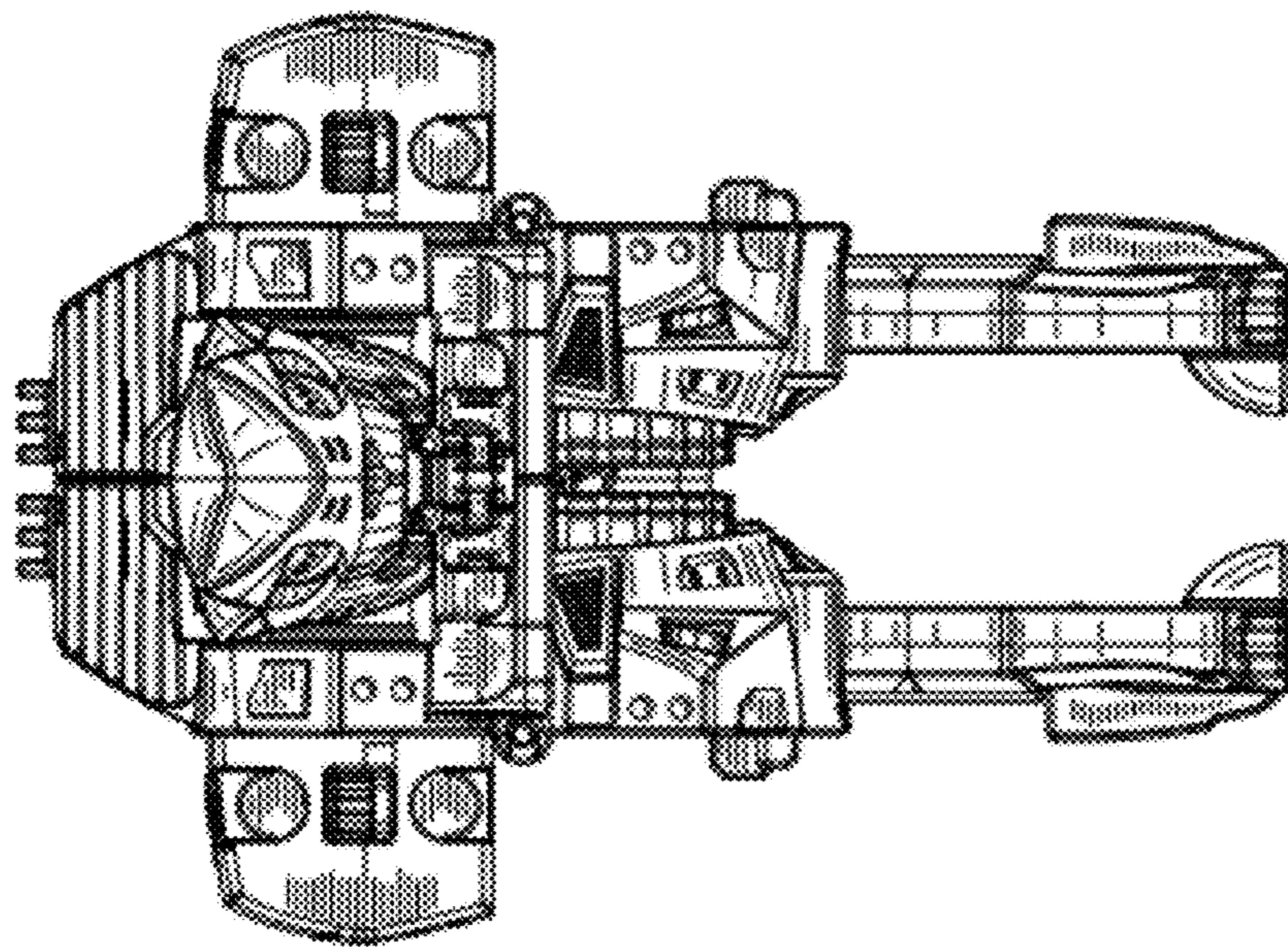


FIG. 10

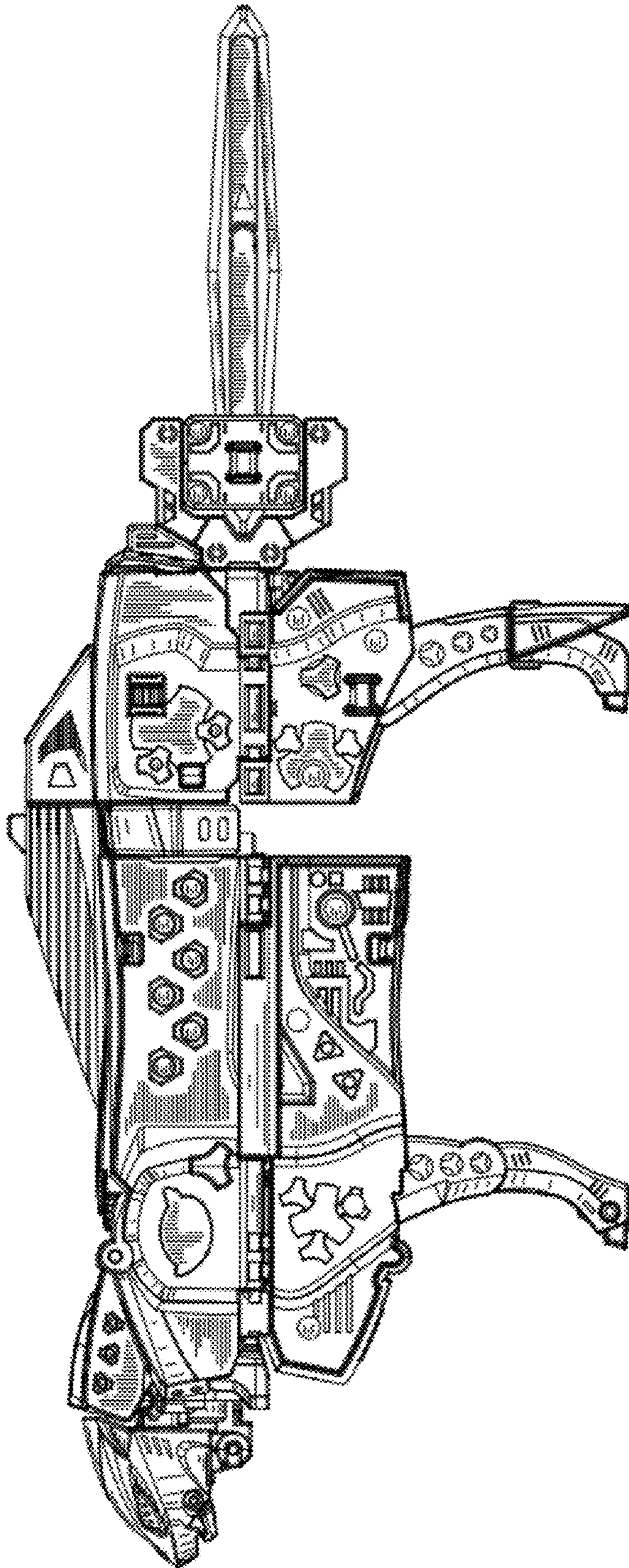


FIG. 12

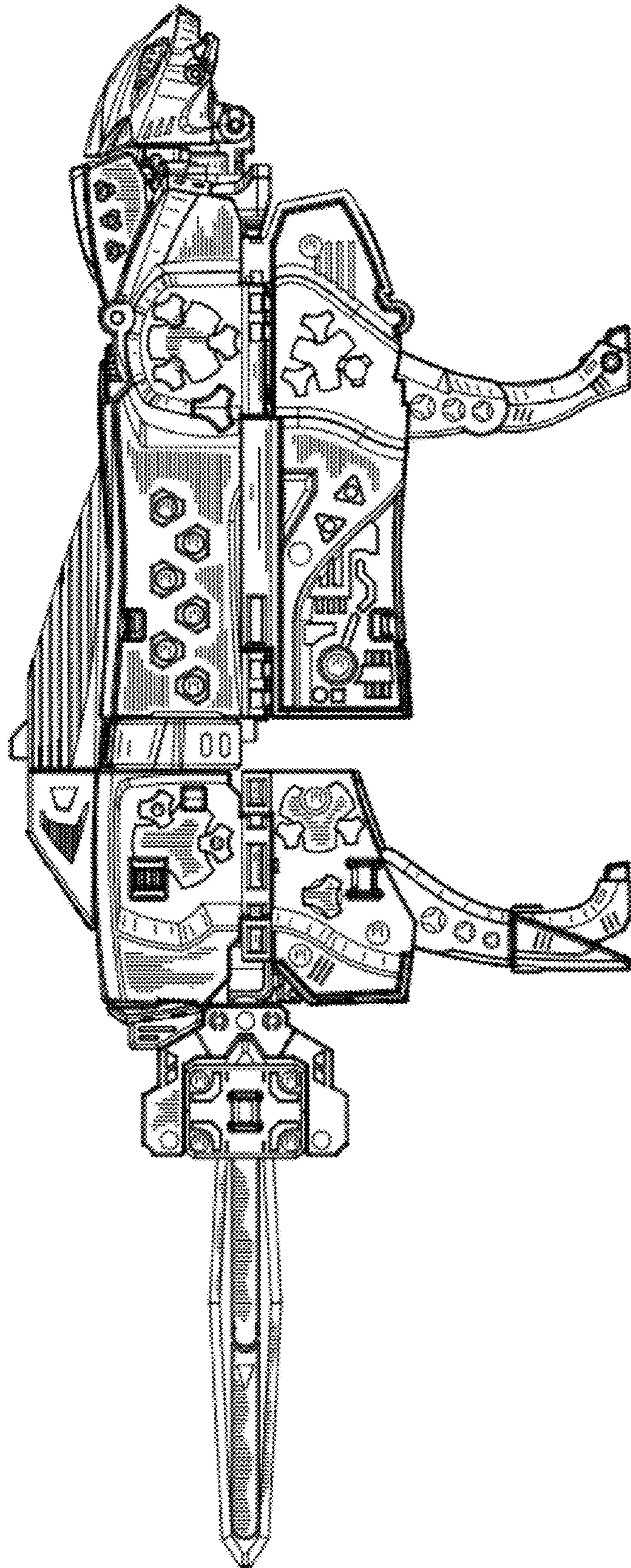


FIG. 13

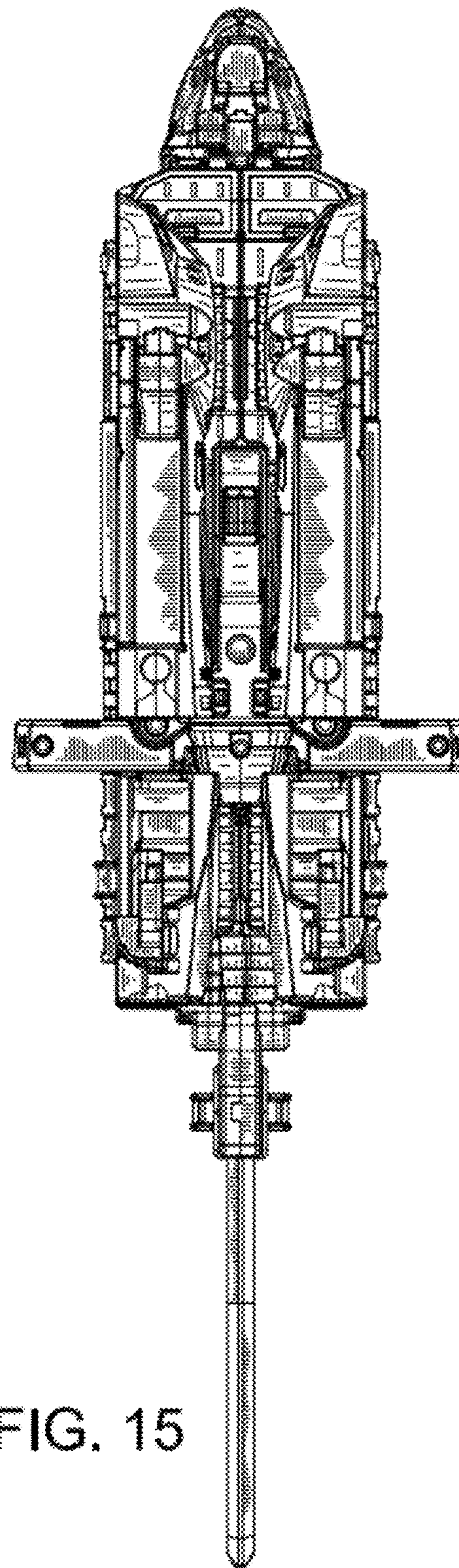
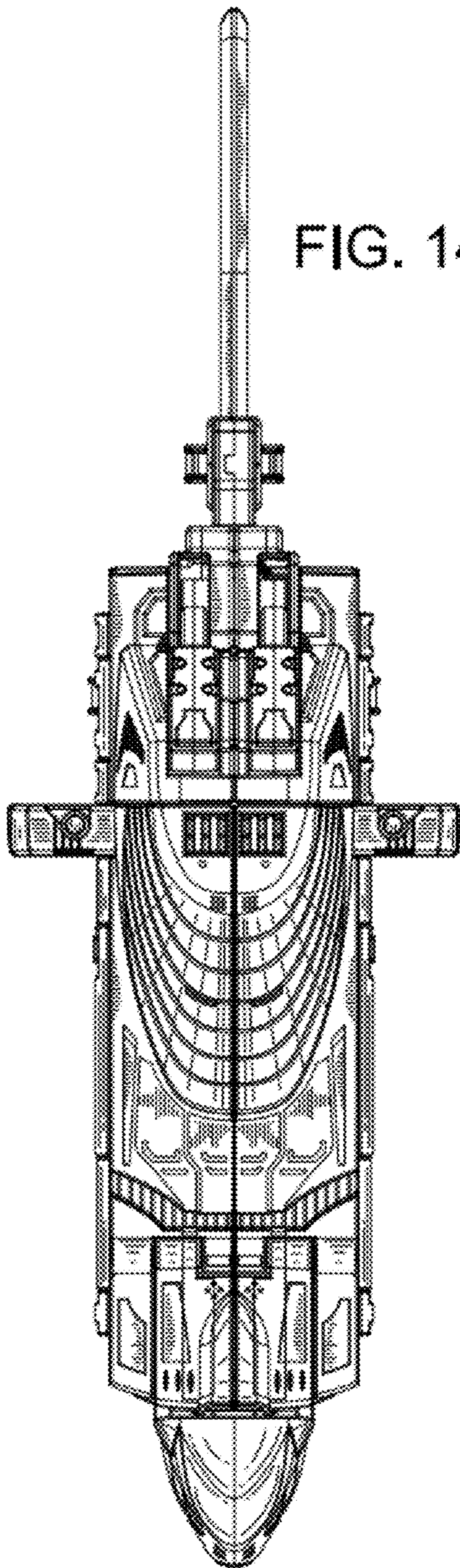




FIG. 16

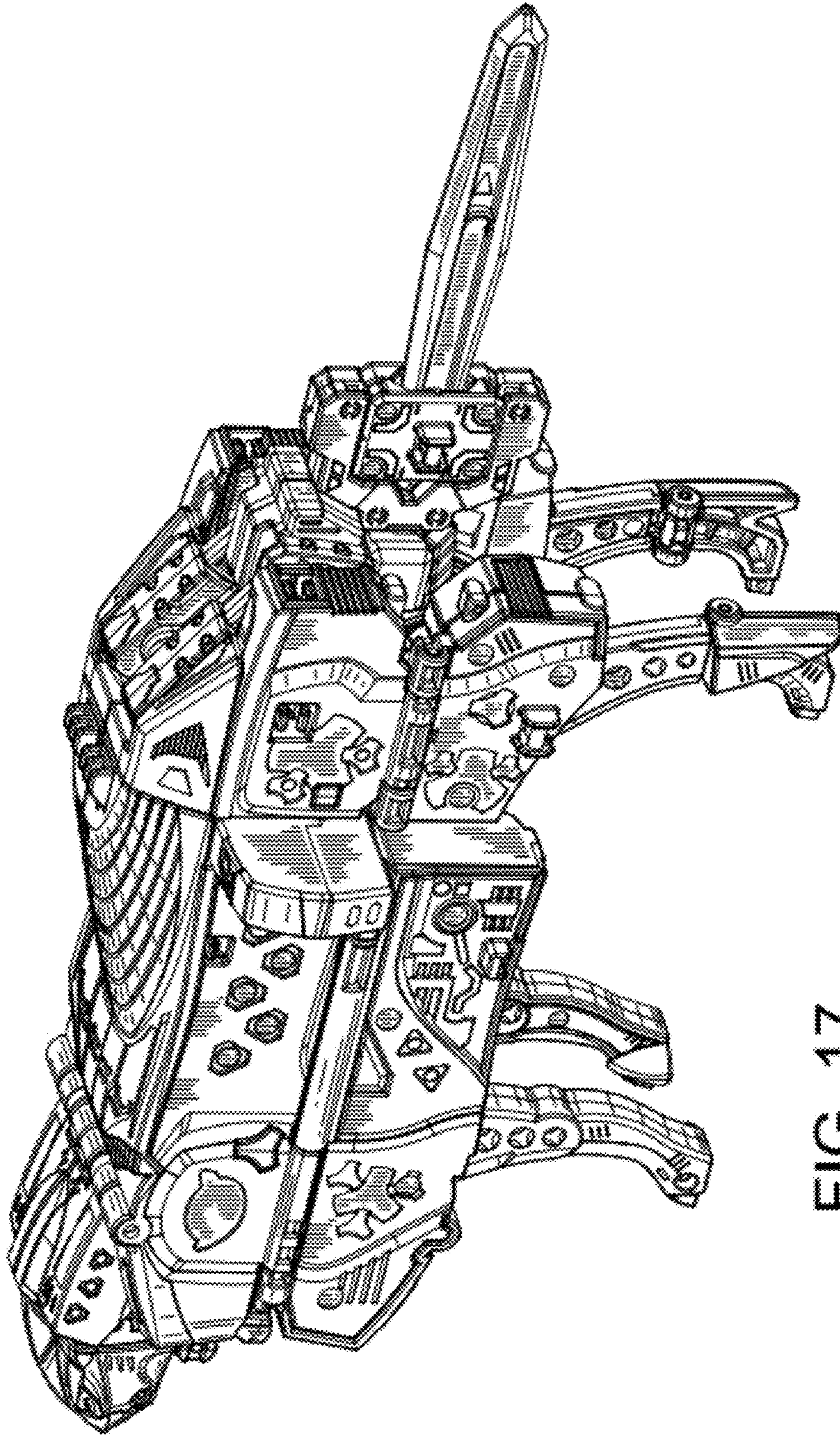


FIG. 17

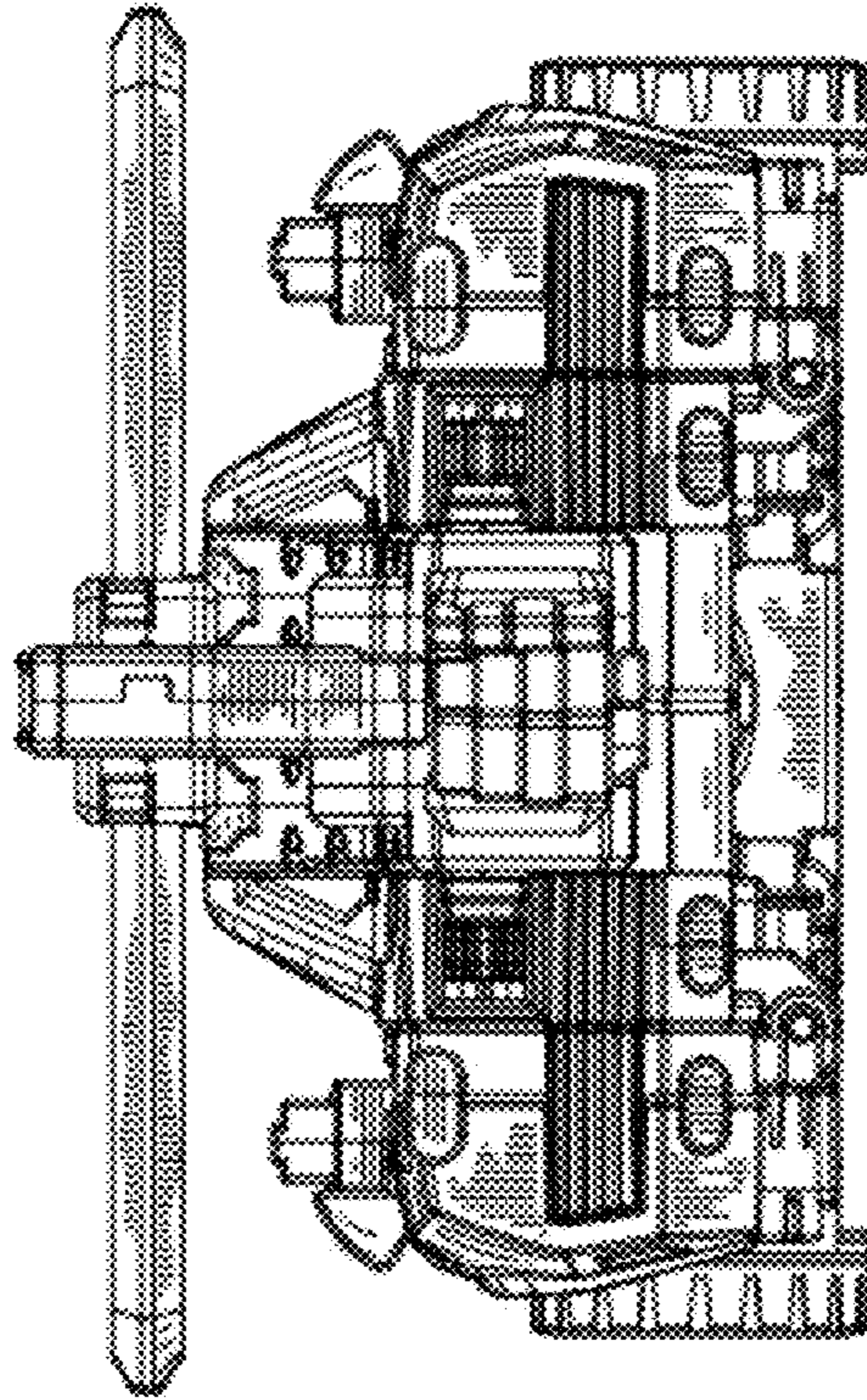


FIG. 19

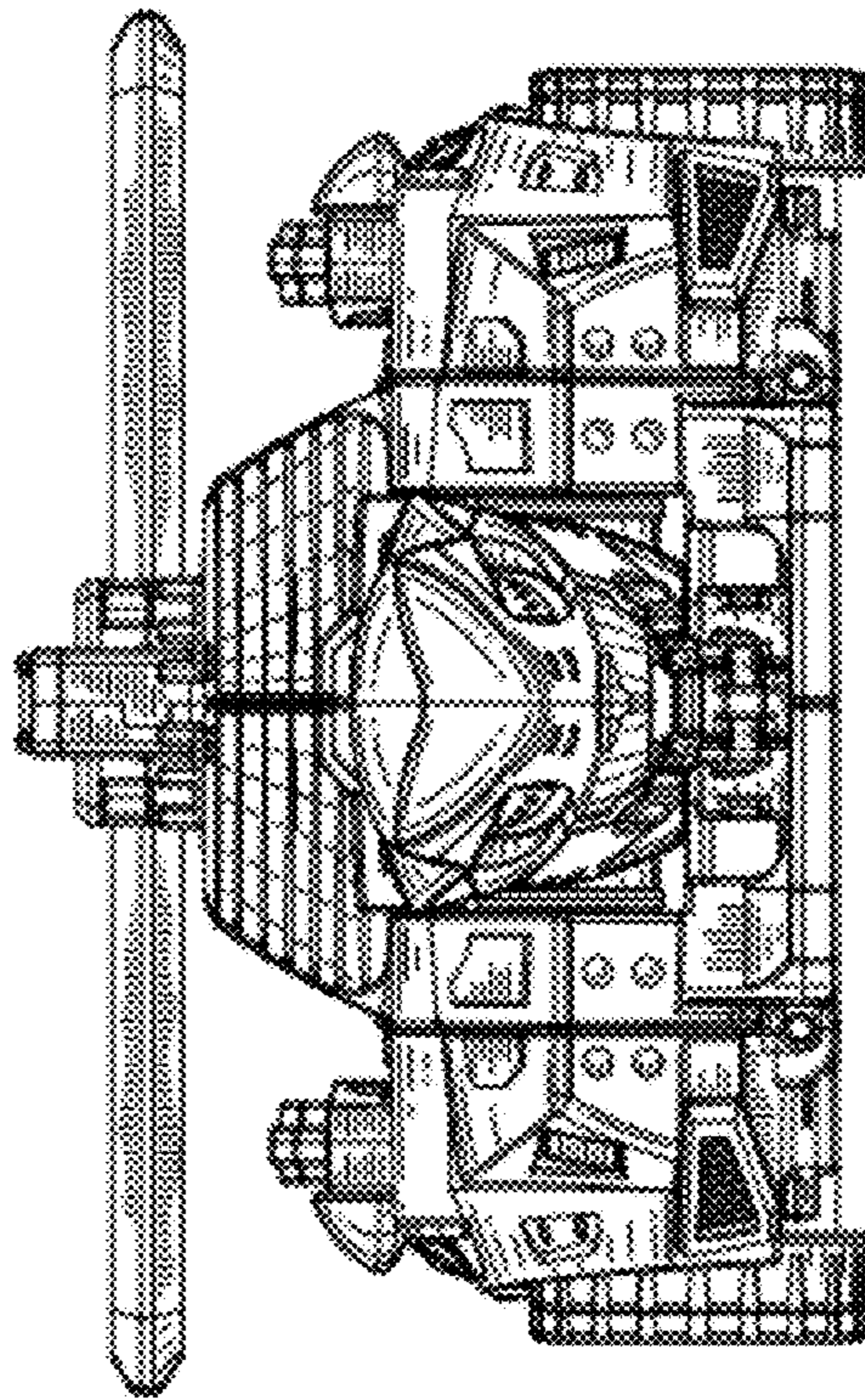


FIG. 18

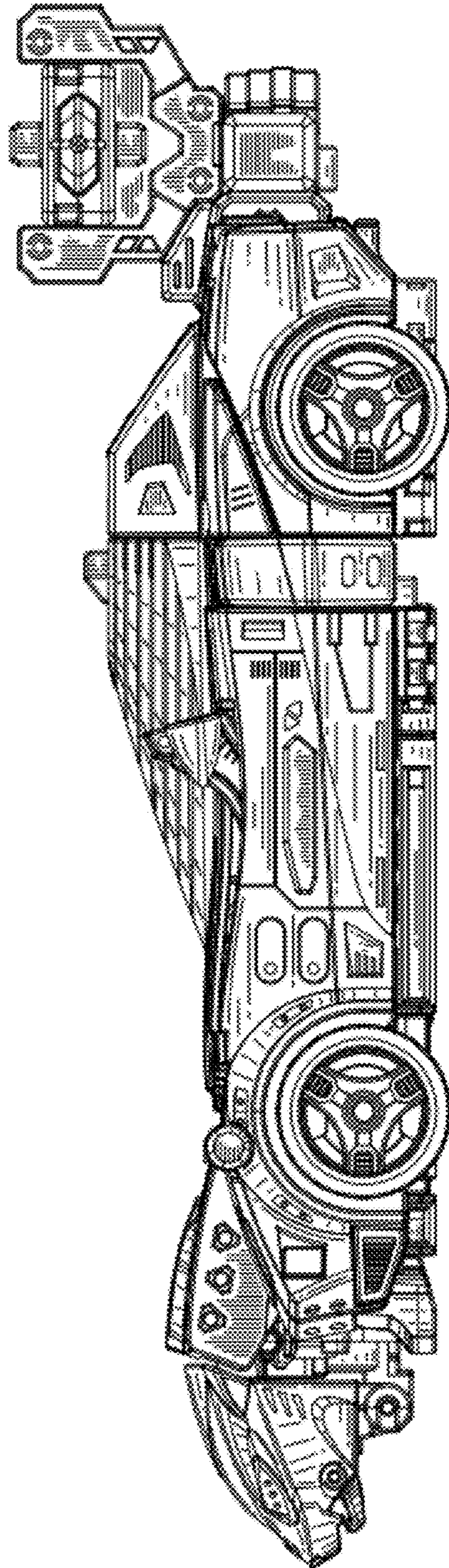


FIG. 20

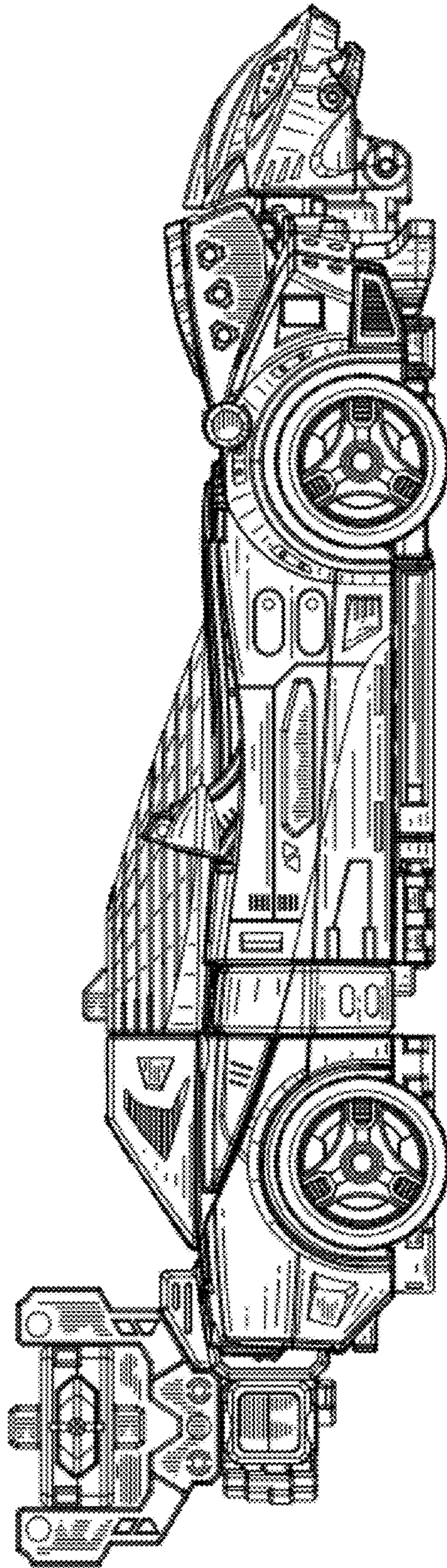


FIG. 21

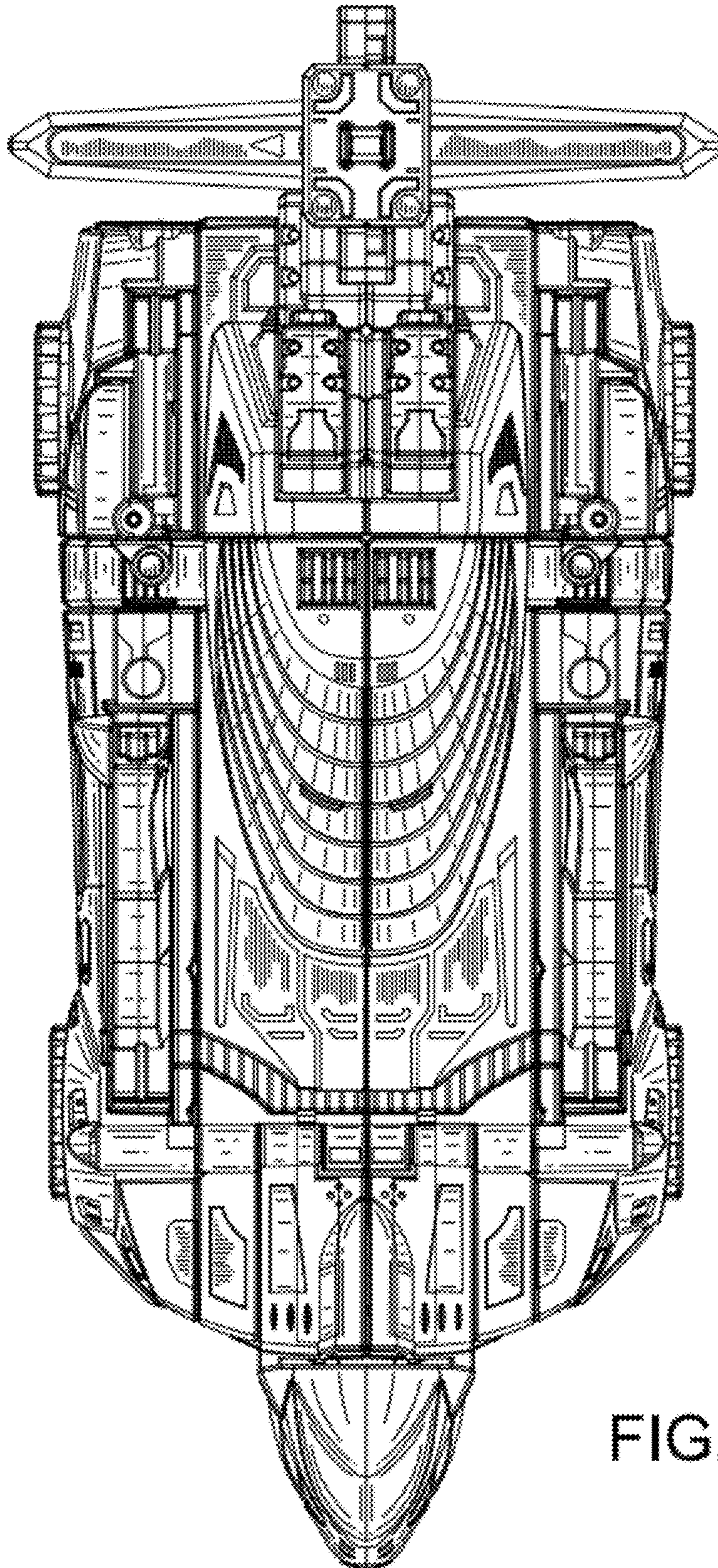
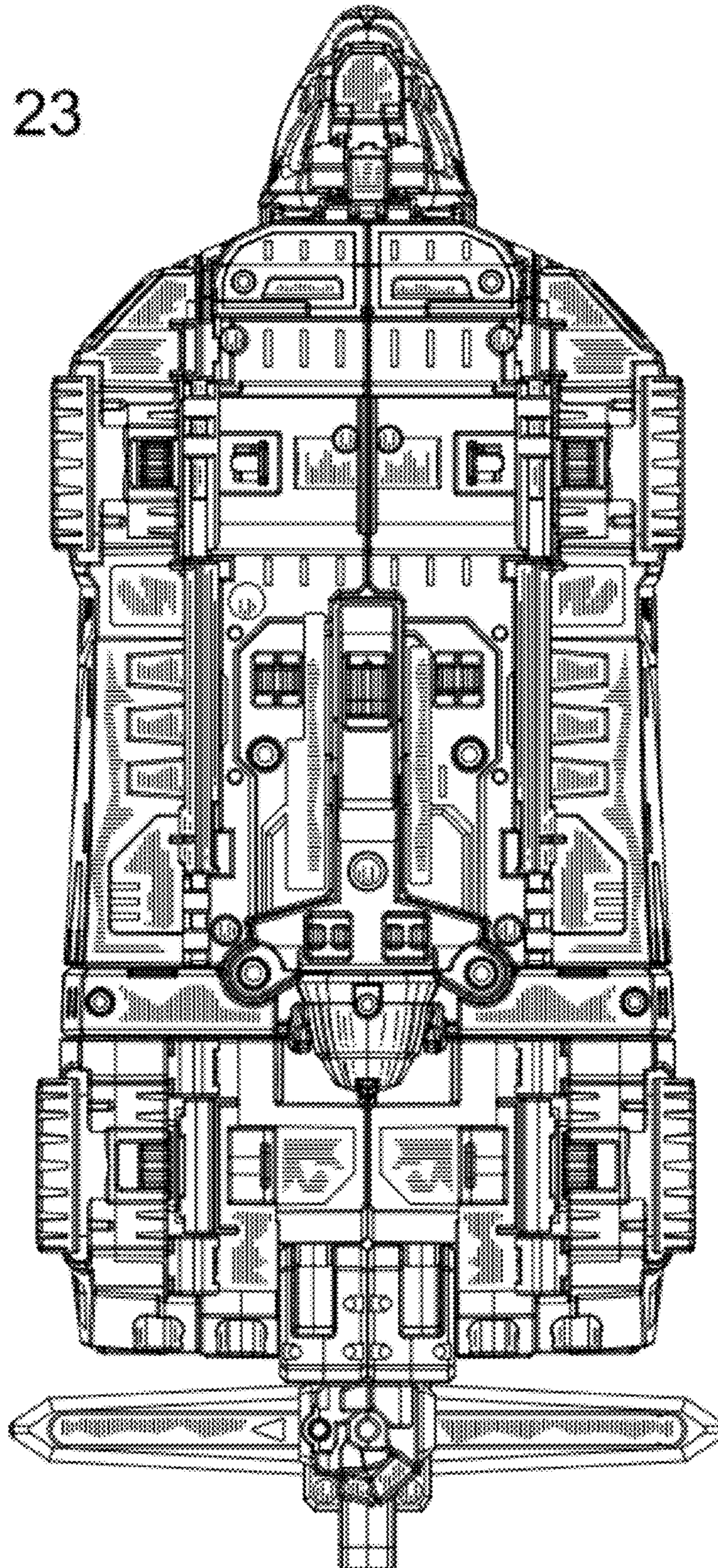


FIG. 22

FIG. 23



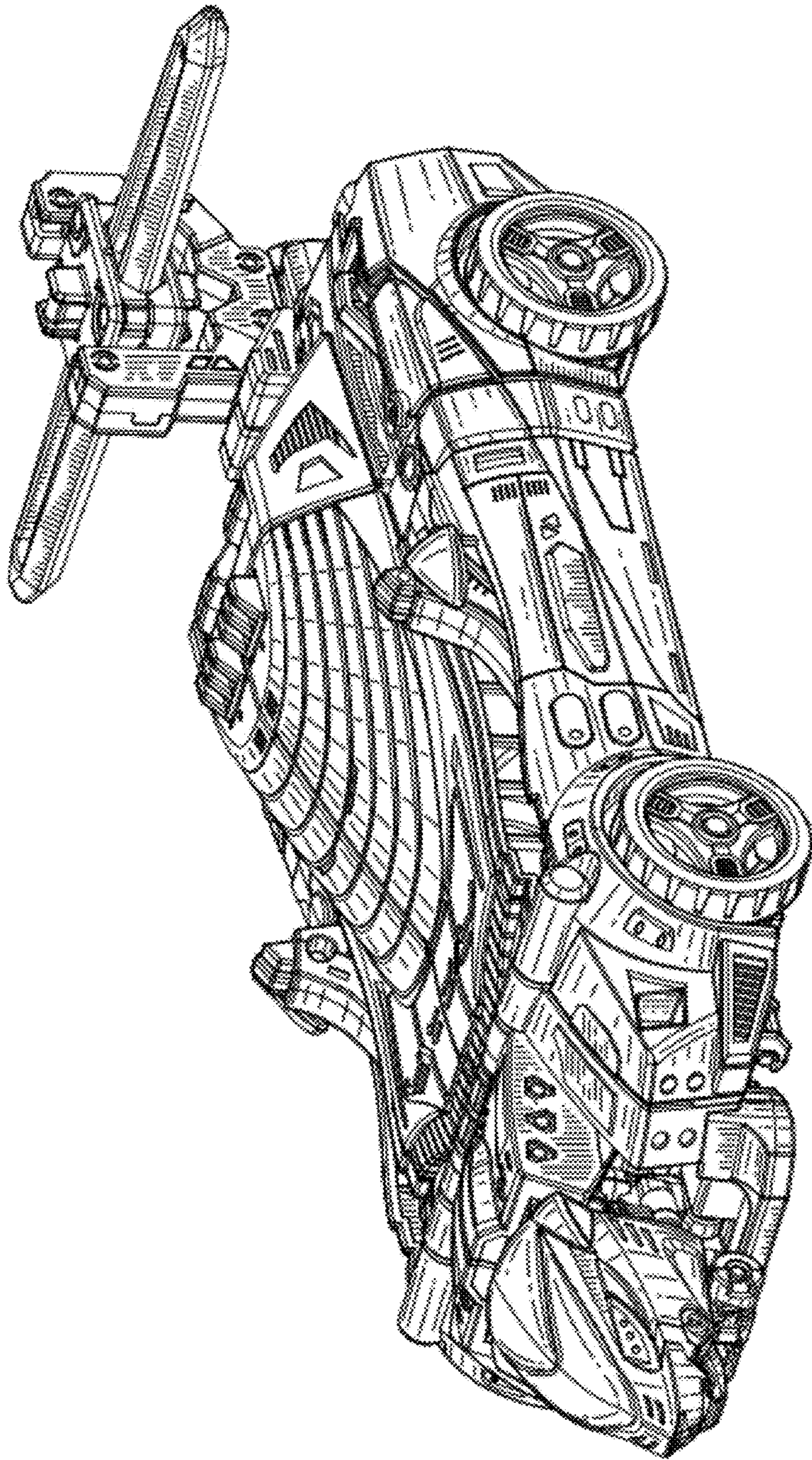


FIG. 24

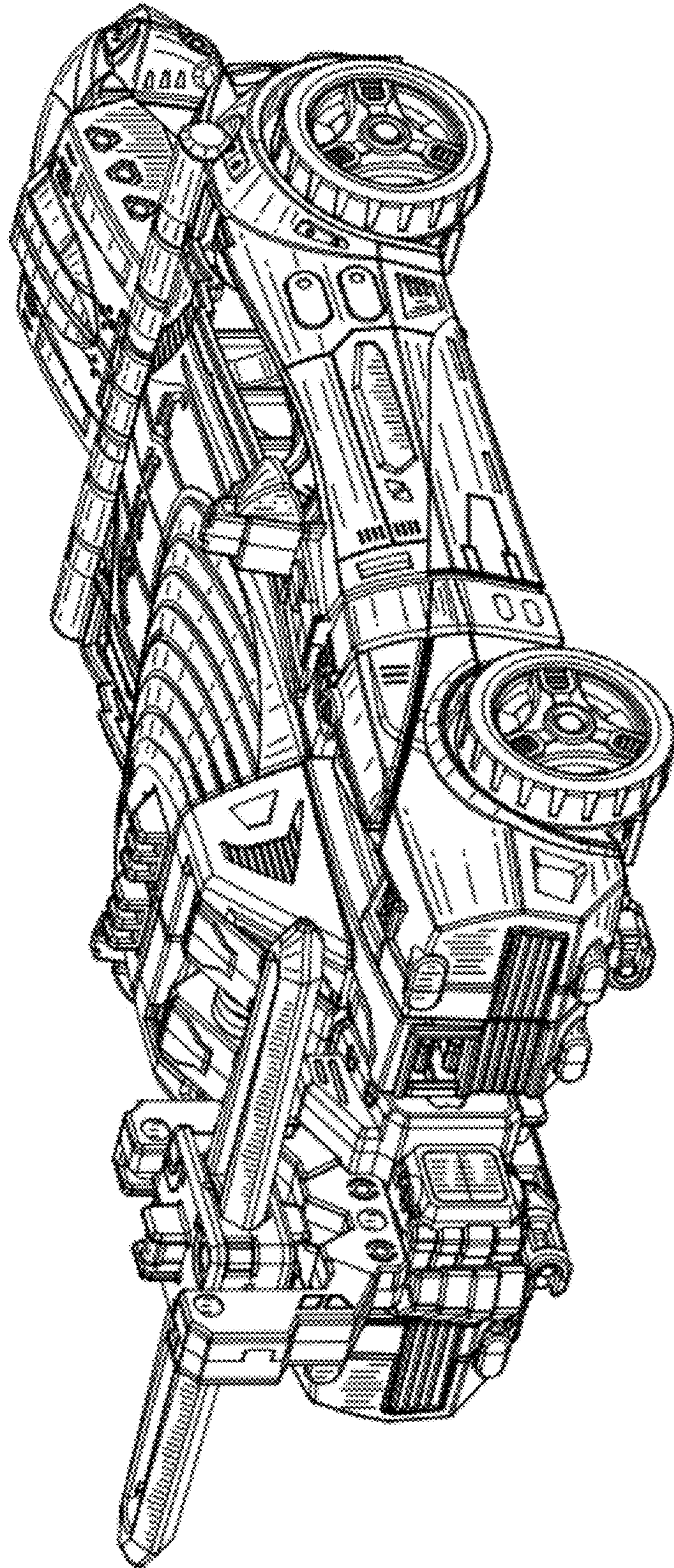


FIG. 25

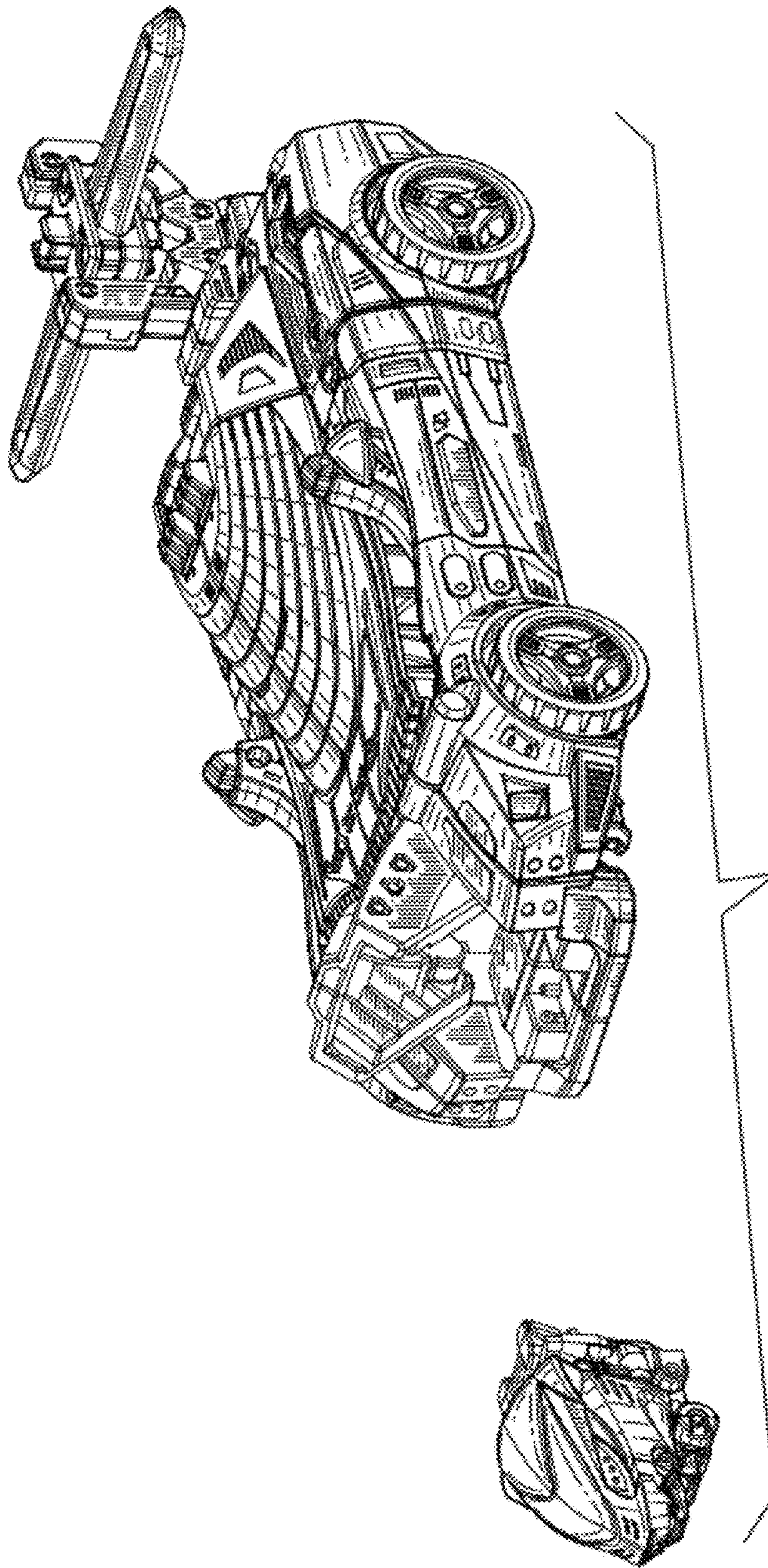


FIG. 26

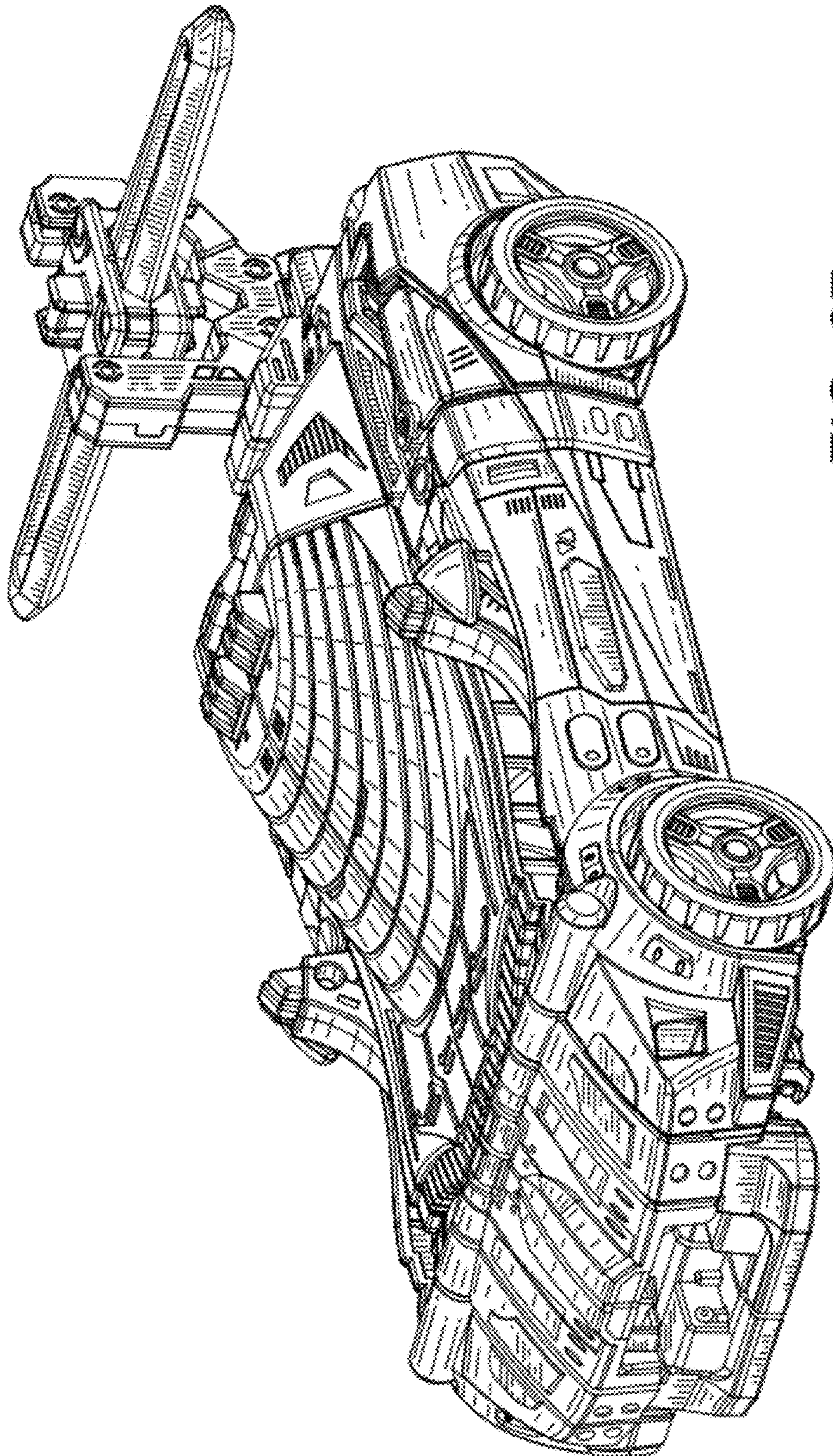


FIG. 27