



US00D674026S

(12) **United States Design Patent**
Roos et al.

(10) **Patent No.:** **US D674,026 S**
(45) **Date of Patent:** **** Jan. 8, 2013**

(54) **TOY BUBBLE GUN**

(76) Inventors: **Christian Roos**, Sellersburg, IN (US);
Lori Forest, Jeffersonville, IN (US);
Joshua Christopher Kelly, Sellersburg,
IN (US); **Christopher Kelly**,
Sellersburg, IN (US)

(**) Term: **14 Years**

(21) Appl. No.: **29/419,495**

(22) Filed: **Apr. 27, 2012**

(51) **LOC (9) Cl.** **21-01**

(52) **U.S. Cl.** **D21/570; D21/401; D21/575**

(58) **Field of Classification Search** D21/401,
D21/402, 483, 567, 570, 572, 573, 574, 575;
446/15-21, 475, 467, 487

See application file for complete search history.

(56) **References Cited**

U.S. PATENT DOCUMENTS

2,659,177	A *	11/1953	Kopf	446/18
2,802,298	A *	8/1957	Larin	446/21
3,834,066	A *	9/1974	Vargas	446/21
D273,880	S *	5/1984	Bart	D21/401
D309,759	S *	8/1990	Mak	D21/401
5,498,191	A *	3/1996	DeMars	446/15
D376,394	S *	12/1996	Raucci et al.	D21/401
5,613,890	A *	3/1997	DeMars	446/15
D419,204	S *	1/2000	Bao	D21/401

6,331,130	B1 *	12/2001	Thai	446/15
D453,197	S *	1/2002	Hornsby et al.	D21/401
D487,293	S *	3/2004	Zuloff	D21/574
6,948,996	B2 *	9/2005	Tobias, Jr.	446/15
7,223,149	B2 *	5/2007	Thai	446/15
7,367,861	B2 *	5/2008	Thai	446/15

* cited by examiner

Primary Examiner — Cynthia M Chin

(74) *Attorney, Agent, or Firm* — QuickPatents, Inc.; Kevin Prince

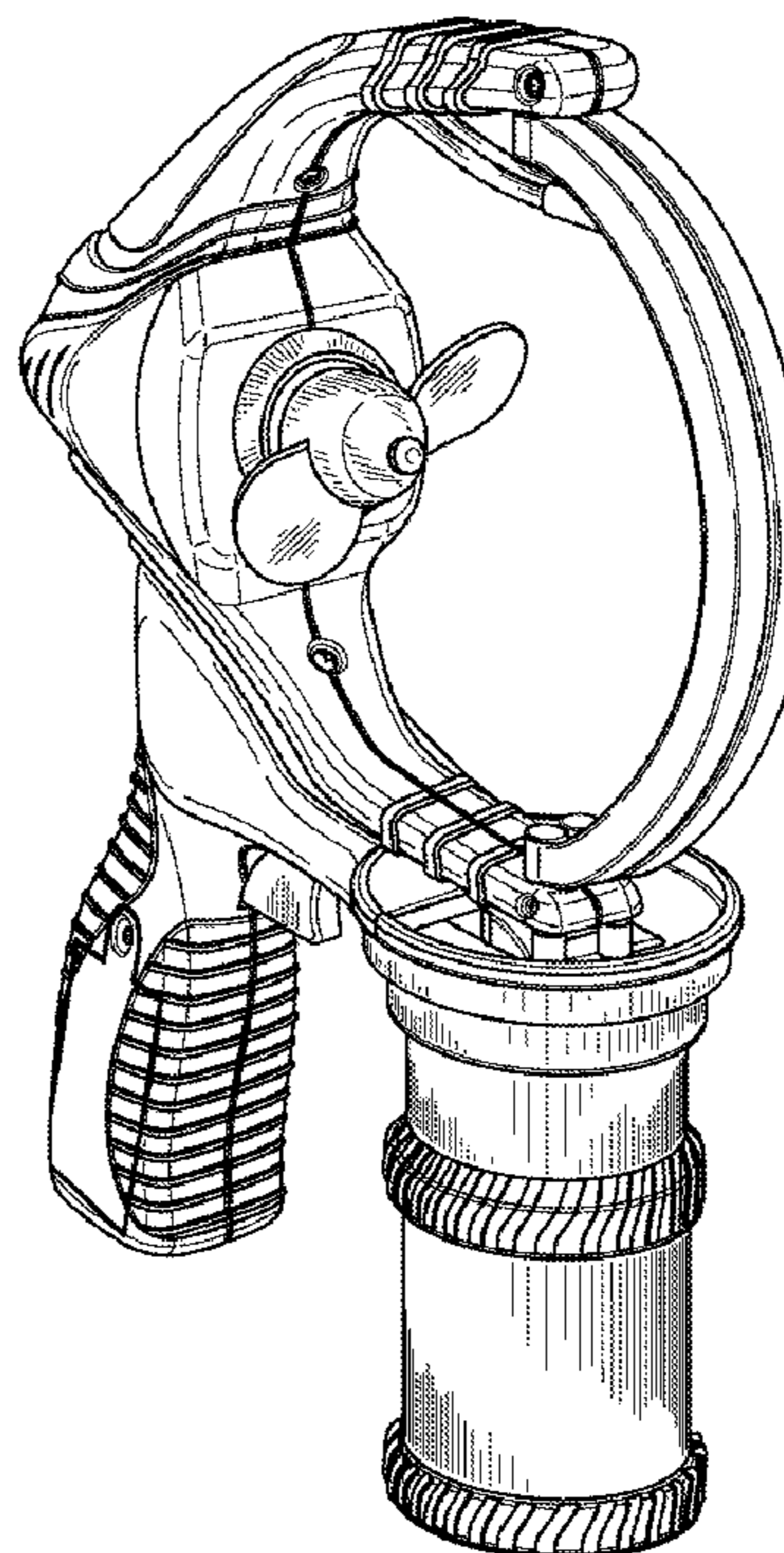
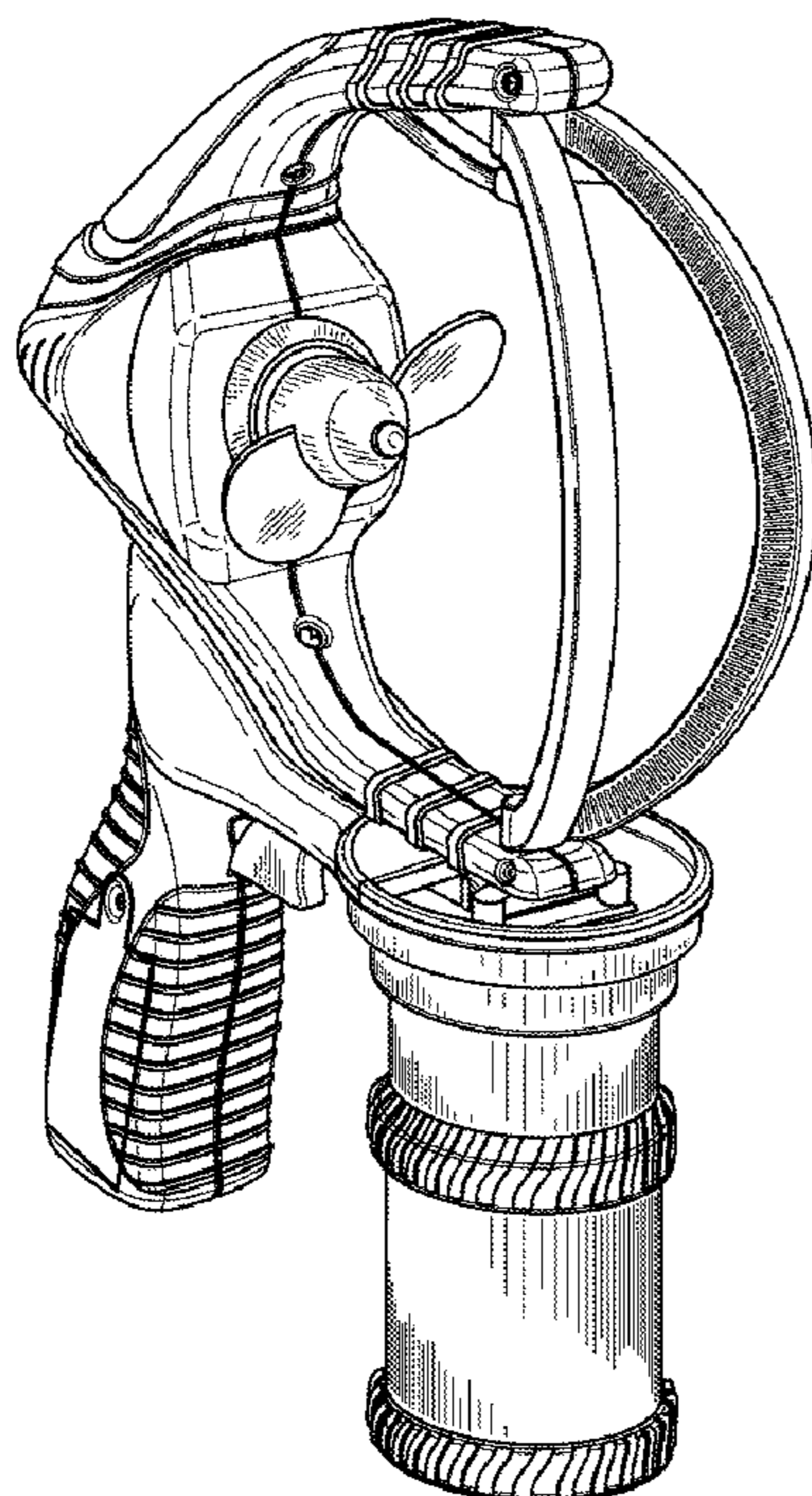
(57) **CLAIM**

We claim the ornamental design for a toy bubble gun, as shown and described.

DESCRIPTION

FIG. 1 is a perspective view of a toy bubble gun, showing our new design with a bubble ring in a partially open position; FIG. 2 is a perspective view thereof, illustrated with the bubble ring in a fully closed position; FIG. 3 is a front elevational view of FIG. 2; FIG. 4 is a rear elevational view of FIG. 2; FIG. 5 is a left-side elevational view of FIG. 2; FIG. 6 is a right-side elevational view of FIG. 2; FIG. 7 is a top plan view of FIG. 2; and, FIG. 8 is a bottom plan view of FIG. 2.

1 Claim, 6 Drawing Sheets



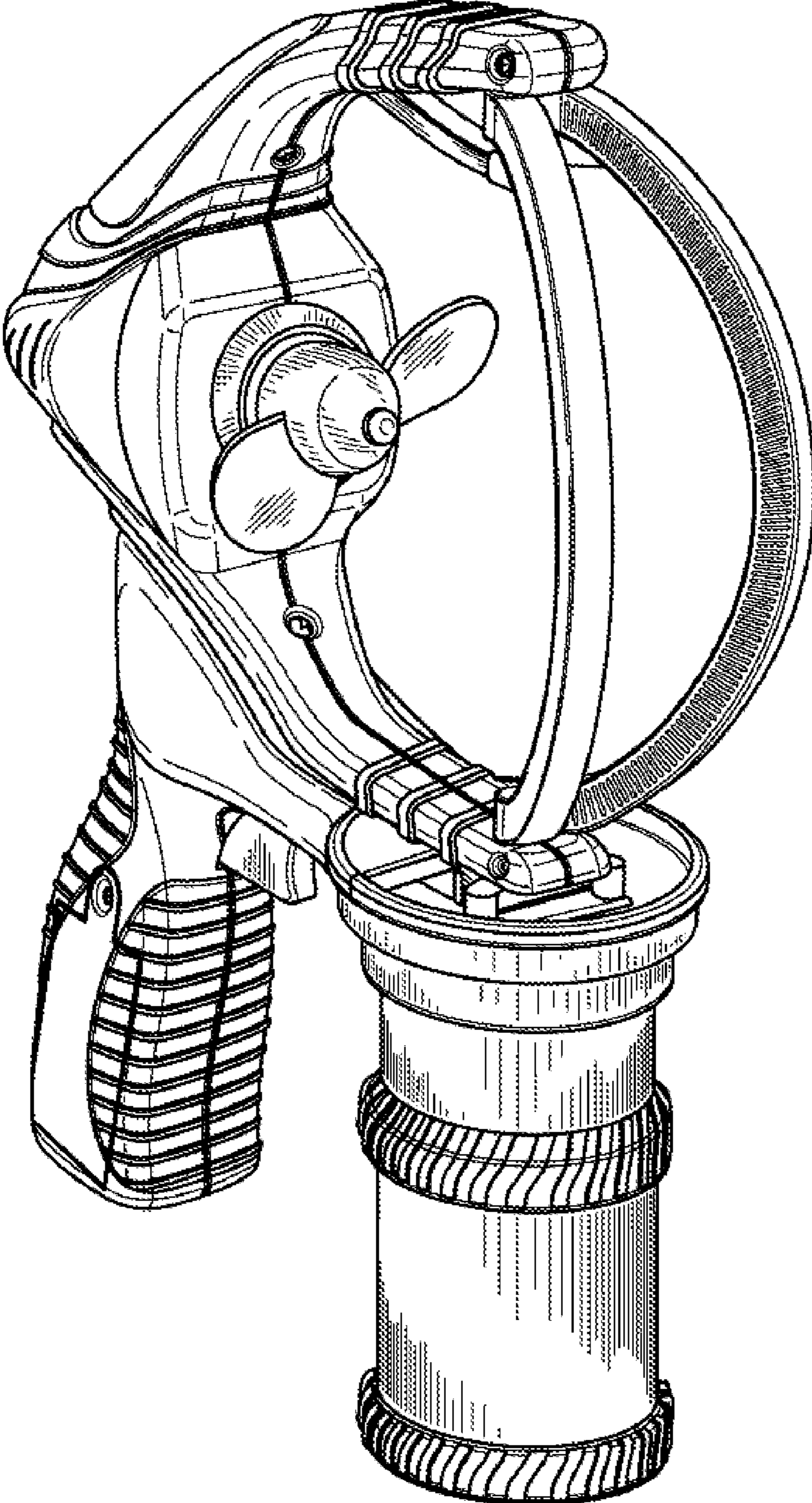


FIG. 1

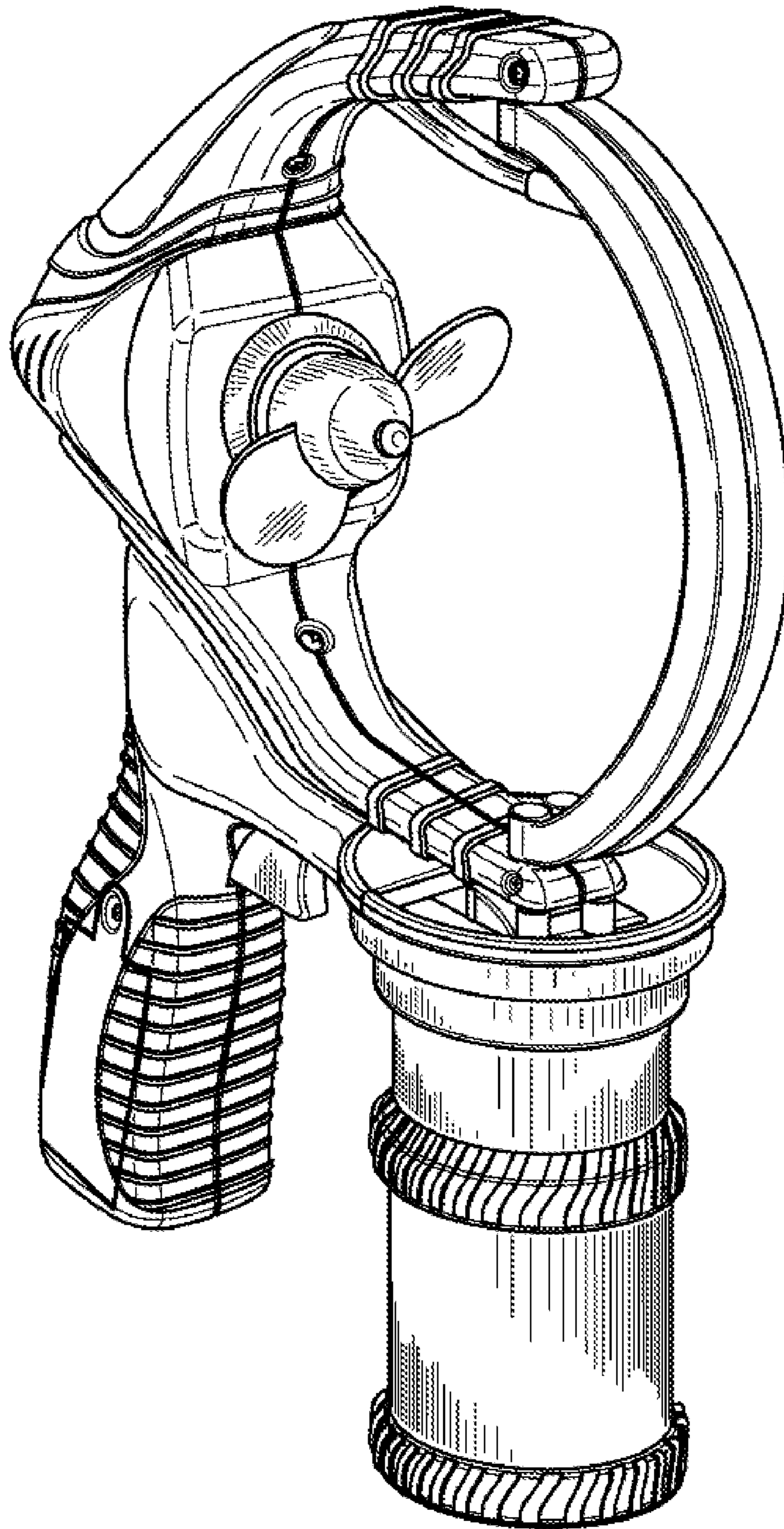


FIG. 2

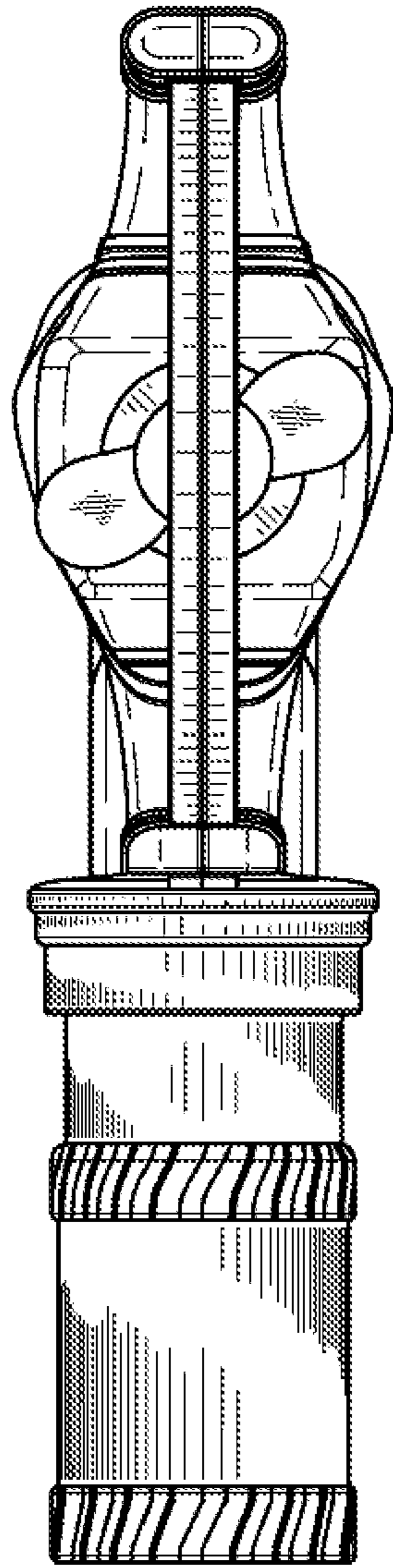


FIG. 3

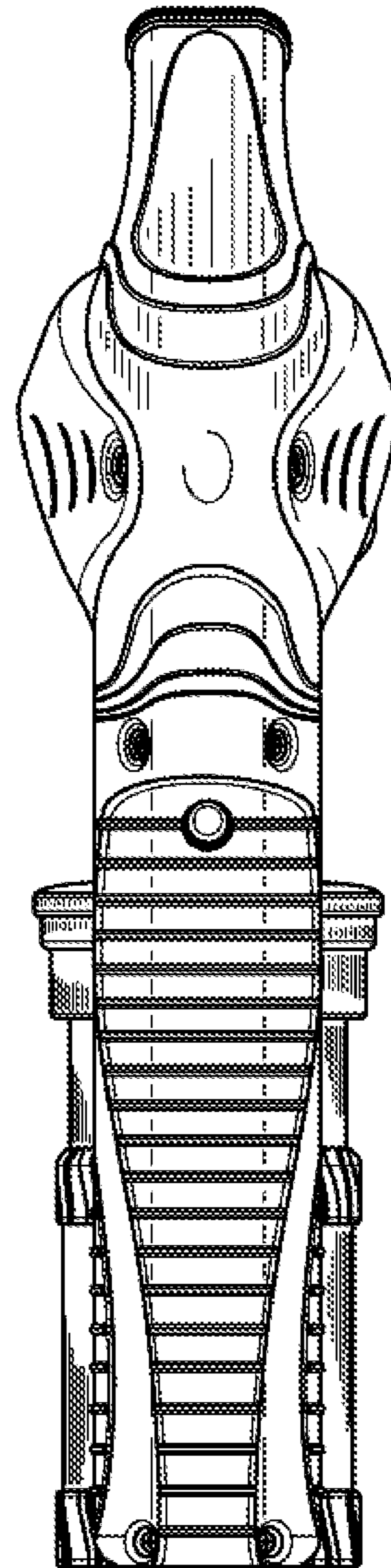


FIG. 4

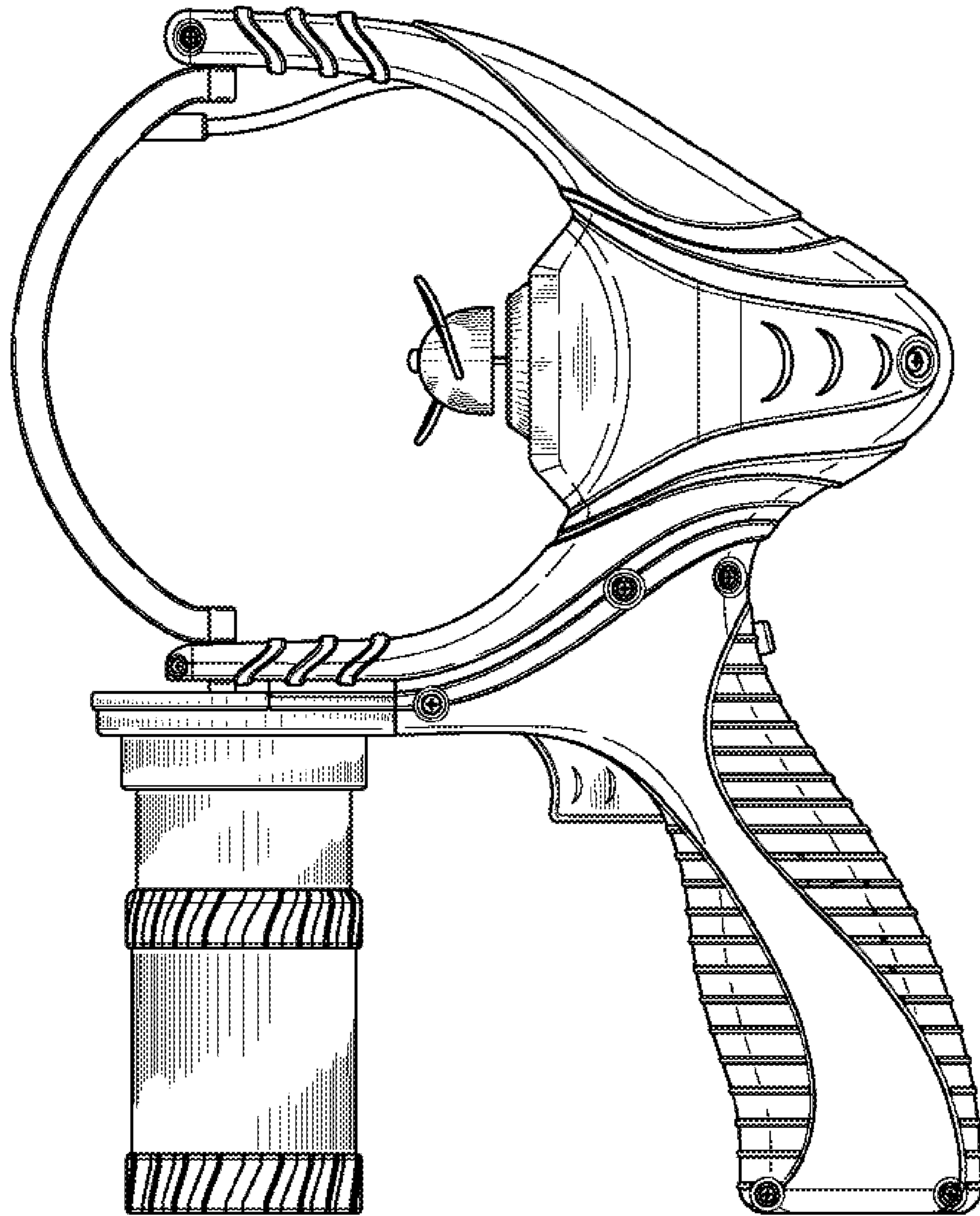


FIG. 5

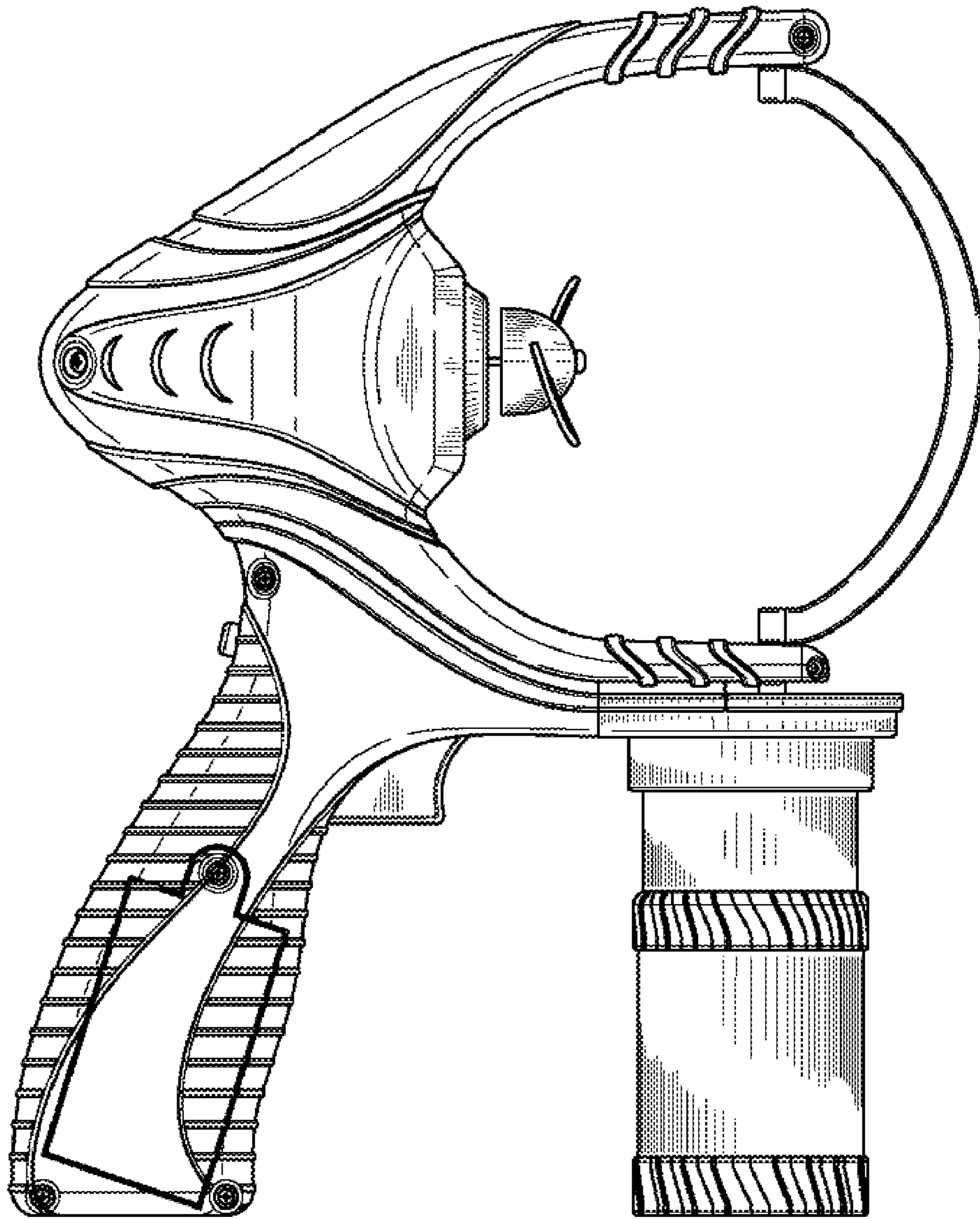


FIG. 6

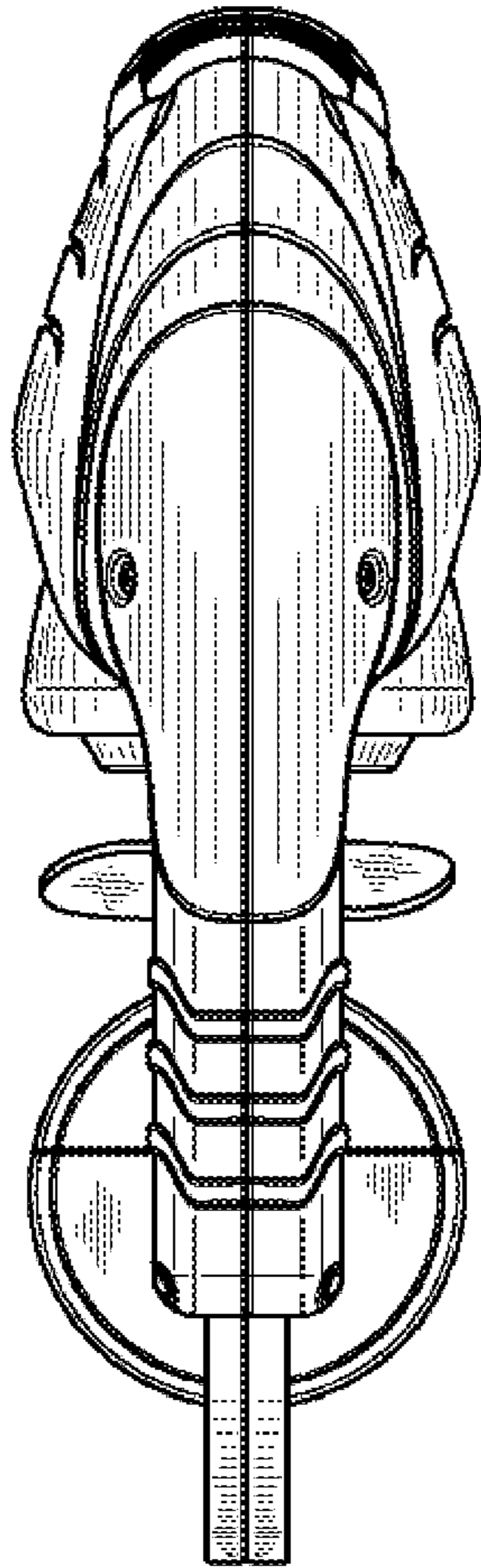


FIG. 7

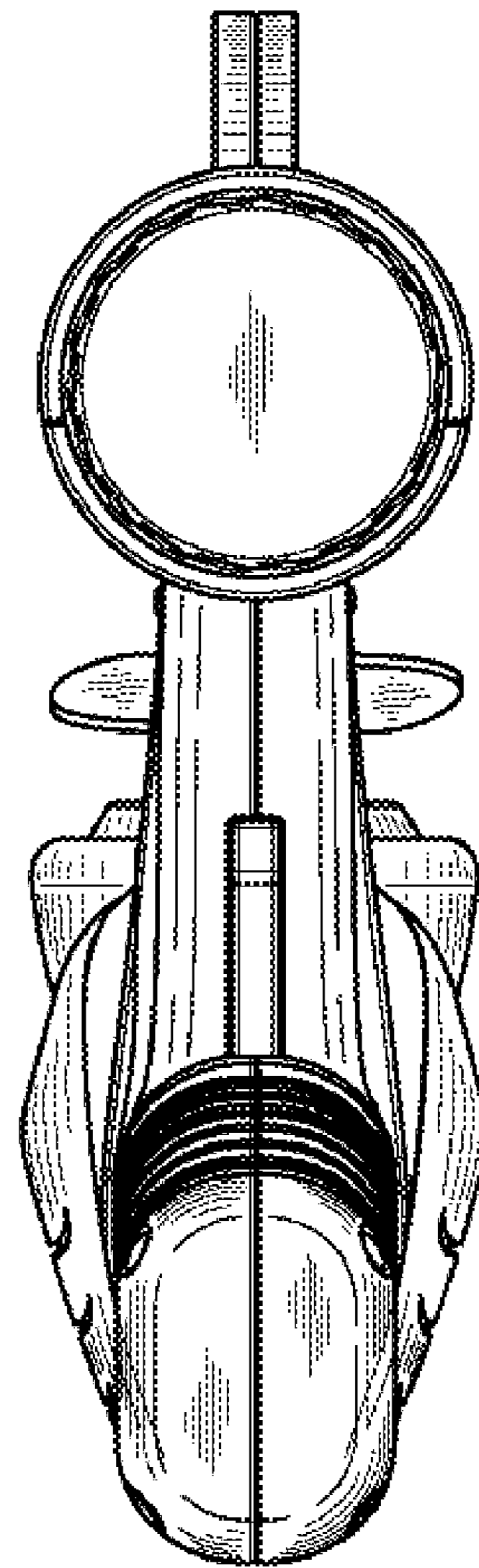


FIG. 8