



US00D674014S

(12) **United States Design Patent**  
**Khan**

(10) **Patent No.:** **US D674,014 S**  
(45) **Date of Patent:** **\*\* Jan. 8, 2013**

- (54) **CREDIT CARD WITH MULTIPLE MAGNETIC STRIPS**
- (76) Inventor: **Shahid Khan**, Jackson Heights, NY (US)
- (\*\*) Term: **14 Years**
- (21) Appl. No.: **29/424,780**
- (22) Filed: **Jun. 15, 2012**
- (51) **LOC (9) Cl.** ..... **19-01**
- (52) **U.S. Cl.** ..... **D19/9**
- (58) **Field of Classification Search** ..... D19/1-12, D19/100; 40/124.01-124.15, 672, 661, 726, 40/617; 283/72, 74, 103, 105, 106; D6/407, D6/632; 235/380, 449, 487, 492, 493, 488; 206/449, 815; D20/10, 22, 17, 27, 40, 11, D20/93, 43; D14/435-437, 478  
See application file for complete search history.

- D530,741 S \* 10/2006 Blossom ..... D19/9
- D545,360 S \* 6/2007 Schluger ..... D19/3
- D562,888 S \* 2/2008 Brown ..... D19/9
- D602,986 S \* 10/2009 Skelding et al. .... D19/9
- D624,962 S \* 10/2010 Lazarowicz et al. .... D19/9
- D625,757 S \* 10/2010 Schluger ..... D19/3
- D635,186 S \* 3/2011 Skelding et al. .... D19/9
- D643,062 S \* 8/2011 Skelding et al. .... D19/9
- D650,439 S \* 12/2011 Halbur et al. .... D19/9
- D657,818 S \* 4/2012 Clegg et al. .... D19/9

\* cited by examiner

*Primary Examiner* — Caron D Veynar  
*Assistant Examiner* — Abraham Bahta

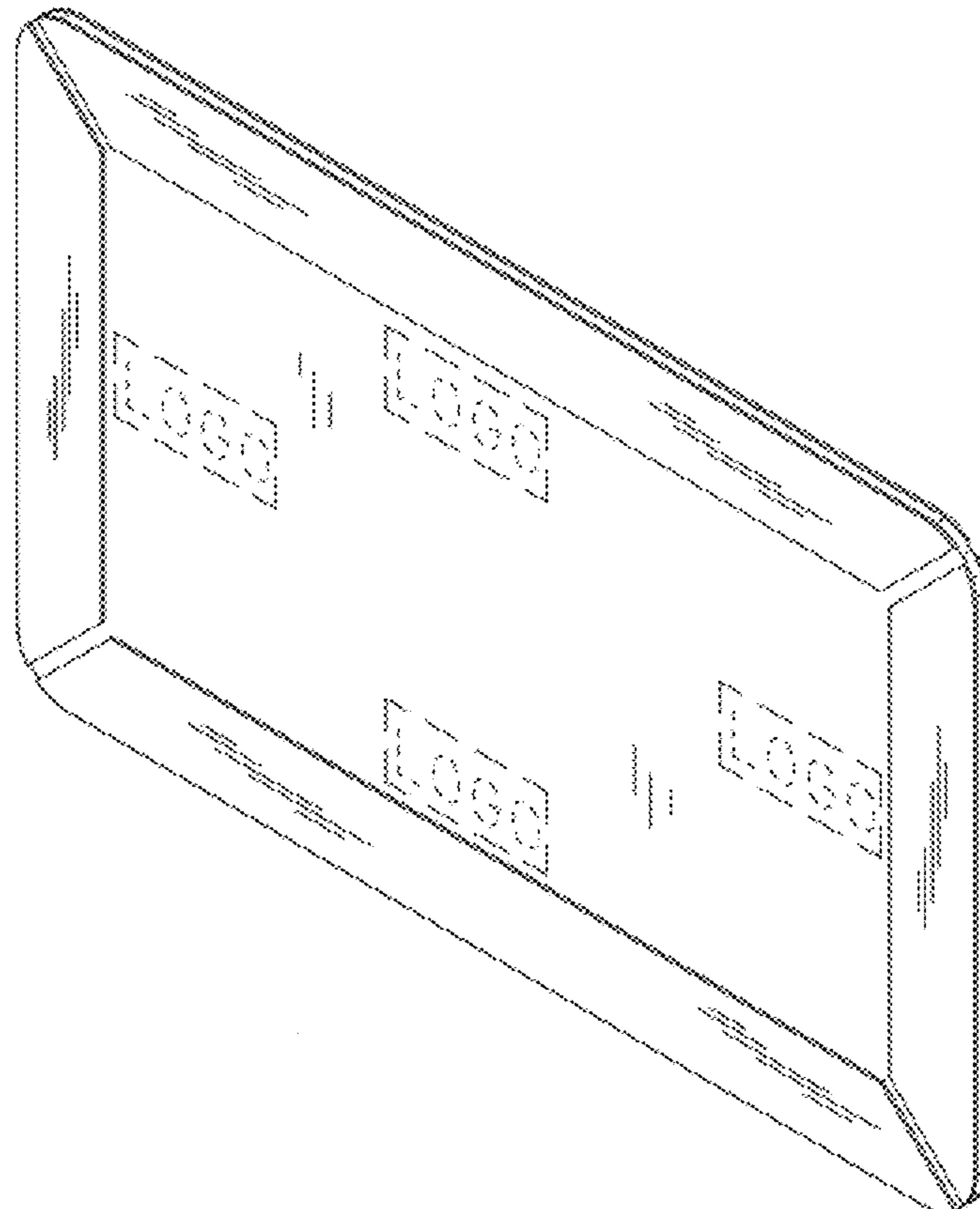
(57) **CLAIM**  
The ornamental design for a credit card with multiple magnetic strips, as shown and described.

**DESCRIPTION**

FIG. 1 is a front elevation view of a credit card with multiple magnetic strips showing my new design, the opposite side being a mirror image of the shown;  
FIG. 2 is a right elevation view thereof, the opposite side being a mirror image of the shown;  
FIG. 3 is a top plan view thereof, the opposite side being a mirror image of the shown; and,  
FIG. 4 is an isometric view thereof.  
The broken lines in the drawings depict environmental subject matter only and form no part of the claimed design.

**1 Claim, 3 Drawing Sheets**

- (56) **References Cited**
- U.S. PATENT DOCUMENTS
- 4,609,812 A 9/1986 Drexler
- 4,634,848 A 1/1987 Shinohara et al.
- 4,752,676 A 6/1988 Leonard et al.
- 5,883,377 A 3/1999 Chapin, Jr.
- D474,807 S \* 5/2003 Hirschey ..... D19/3
- D524,860 S \* 7/2006 Risafi et al. .... D19/9



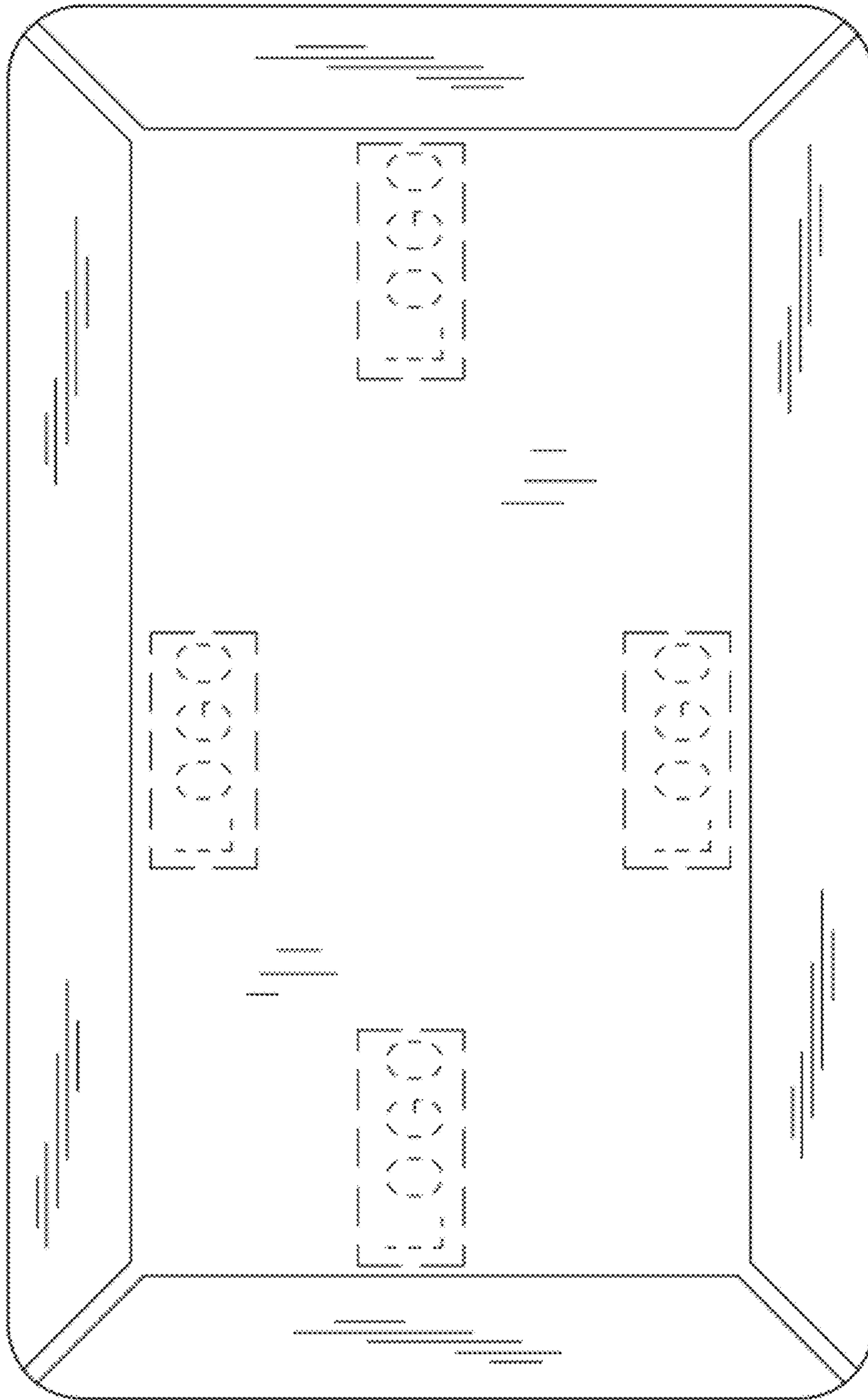


FIG. 1

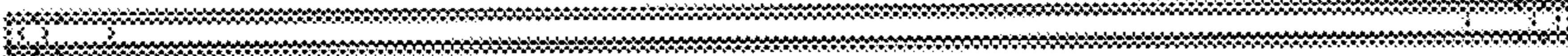


FIG. 2

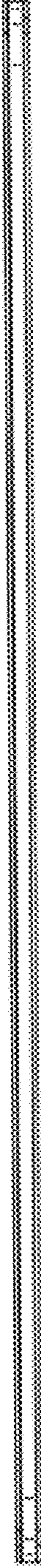


FIG. 3

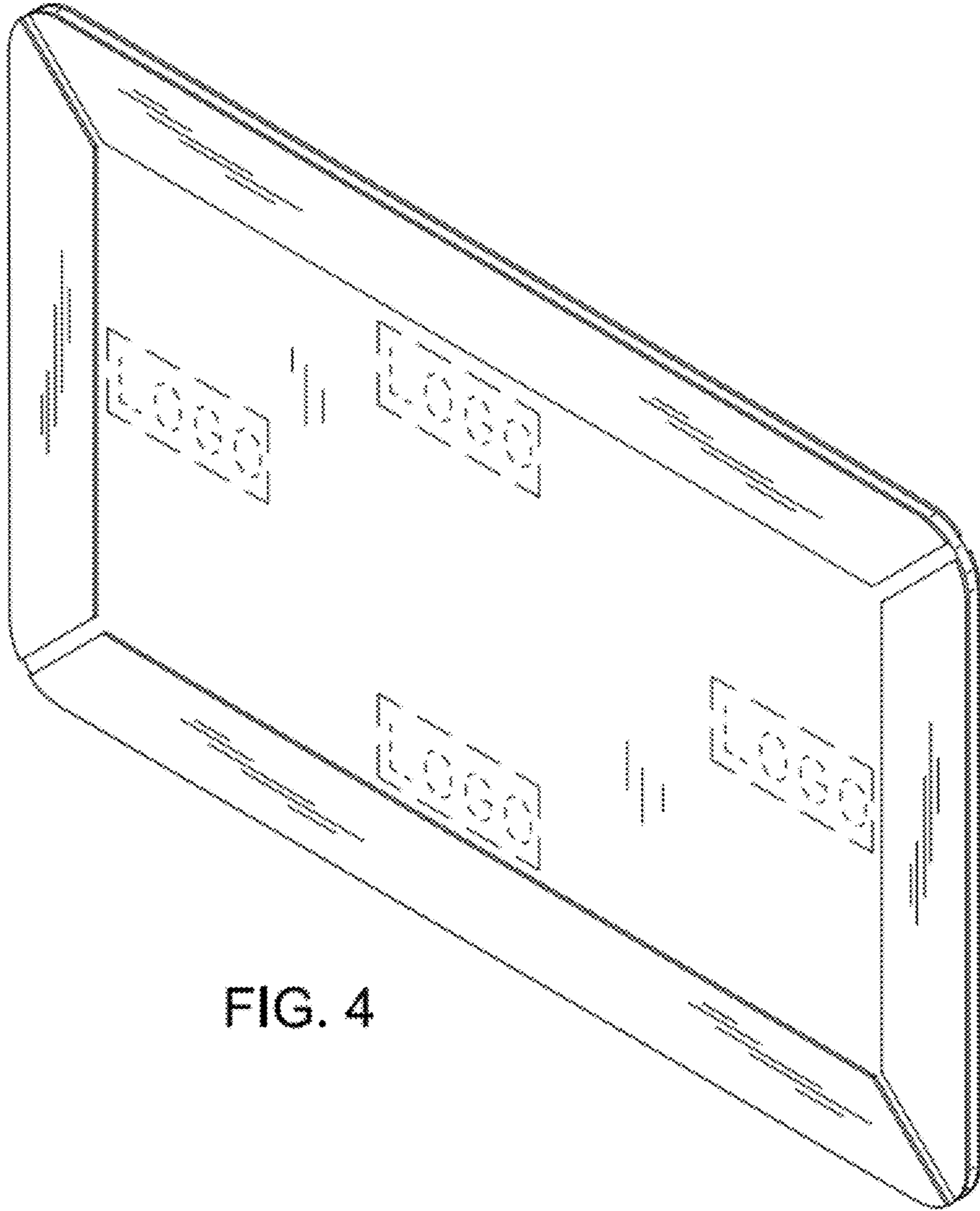


FIG. 4