



US00D674011S

(12) **United States Design Patent**
Sato

(10) **Patent No.:** **US D674,011 S**
(45) **Date of Patent:** **** Jan. 8, 2013**

(54) **PRINTER**

(75) Inventor: **Yukihiko Sato**, Nagoya (JP)

(73) Assignee: **Brother Industries, Ltd.**, Nagoya (JP)

(**) Term: **14 Years**

(21) Appl. No.: **29/409,717**

(22) Filed: **Dec. 28, 2011**

(30) **Foreign Application Priority Data**

Jul. 4, 2011 (JP) 2011-15233

(51) **LOC (9) Cl.** **14-02**

(52) **U.S. Cl.** **D18/55**

(58) **Field of Classification Search** D18/19,
D18/36-38, 50, 52, 54, 54.1, 55; D14/420-425,
D14/462-470; 400/613, 613.1-613.4, 690.1-690.4,
400/691-694
See application file for complete search history.

(56) **References Cited**

U.S. PATENT DOCUMENTS

D586,384 S 2/2009 Yamaguchi et al.
D596,226 S * 7/2009 Yamaguchi D18/55
D606,115 S * 12/2009 Sato D18/55
D639,849 S * 6/2011 Sato et al. D18/50

D643,464 S * 8/2011 Sato et al. D18/55
D661,345 S * 6/2012 Asano et al. D18/50
D662,974 S * 7/2012 Suzuki et al. D18/55

OTHER PUBLICATIONS

Asano, Masahide et al., U.S. Appl. No. 29/356,745, filed Mar. 2, 2010.

* cited by examiner

Primary Examiner — Cathy A MacCormac

(74) *Attorney, Agent, or Firm* — Oliff & Berridge, PLC

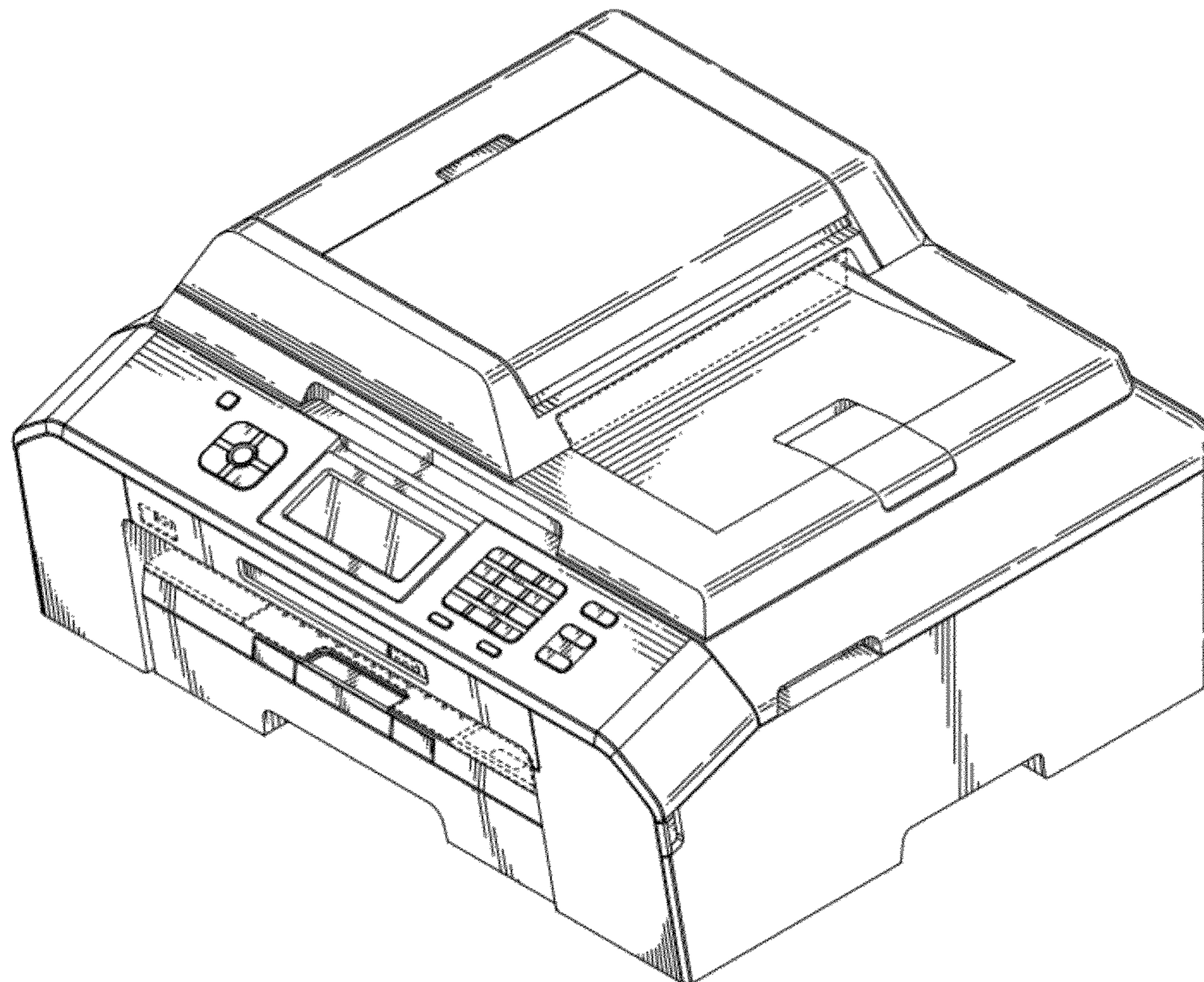
(57) **CLAIM**

The ornamental design for a printer, as shown and described.

DESCRIPTION

FIG. 1 is a perspective view of a printer;
FIG. 2 is a front view thereof;
FIG. 3 is a top view thereof;
FIG. 4 is a right-side view thereof;
FIG. 5 is a left-side view thereof;
FIG. 6 is a rear view thereof; and,
FIG. 7 is a bottom view thereof.
The broken lines are for illustrative purposes only and form no part of the claimed design.

1 Claim, 6 Drawing Sheets



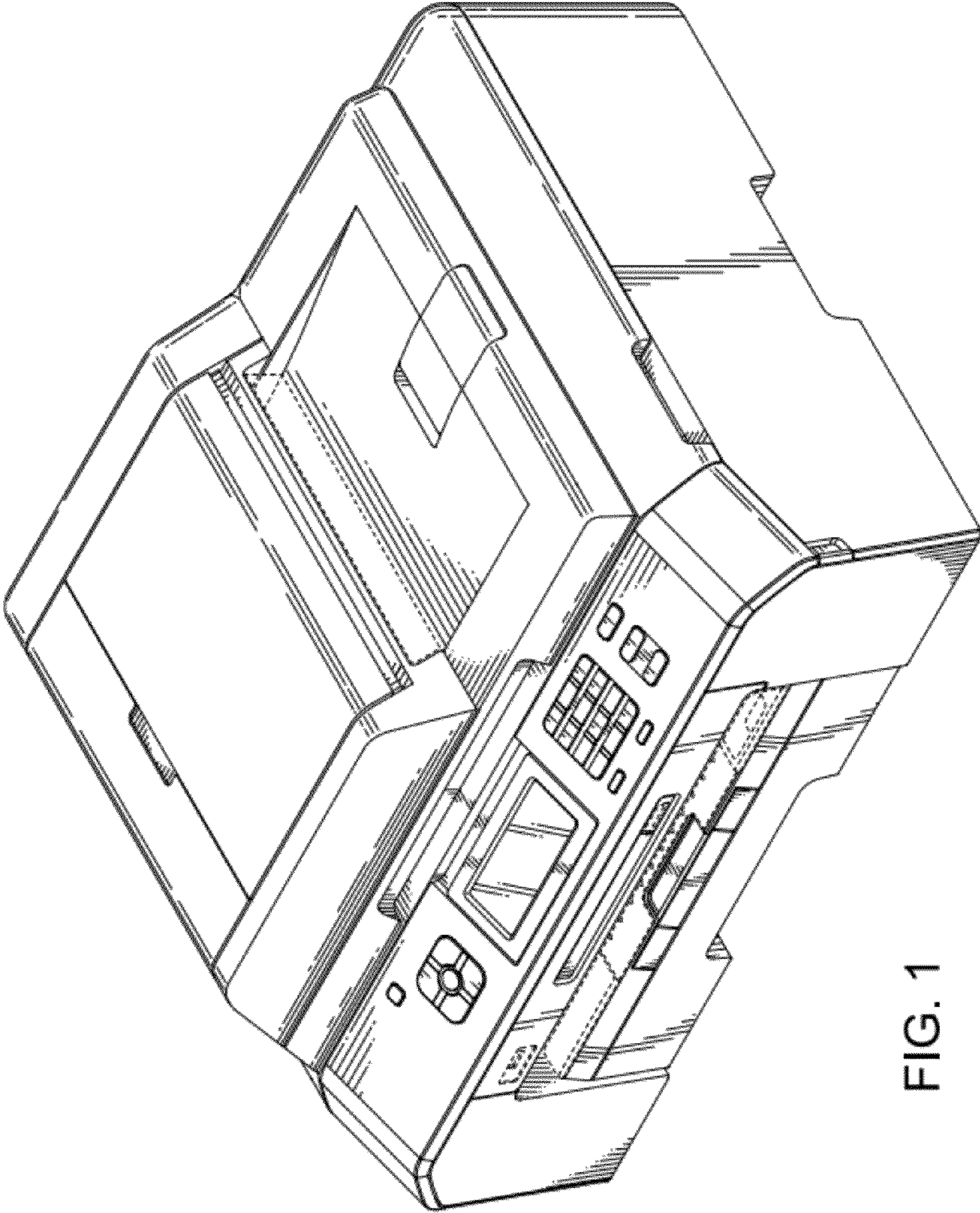


FIG. 1

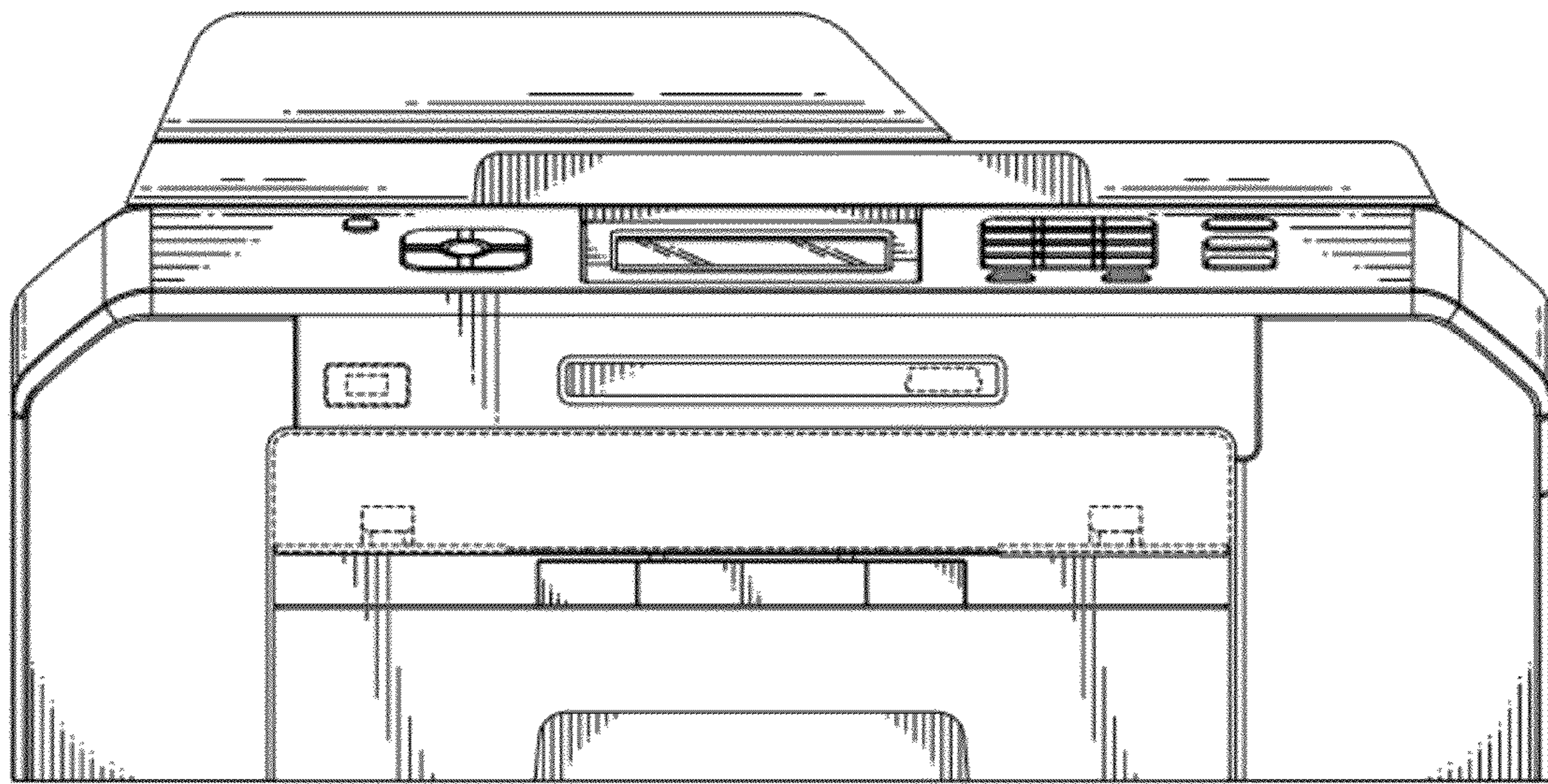


FIG. 2

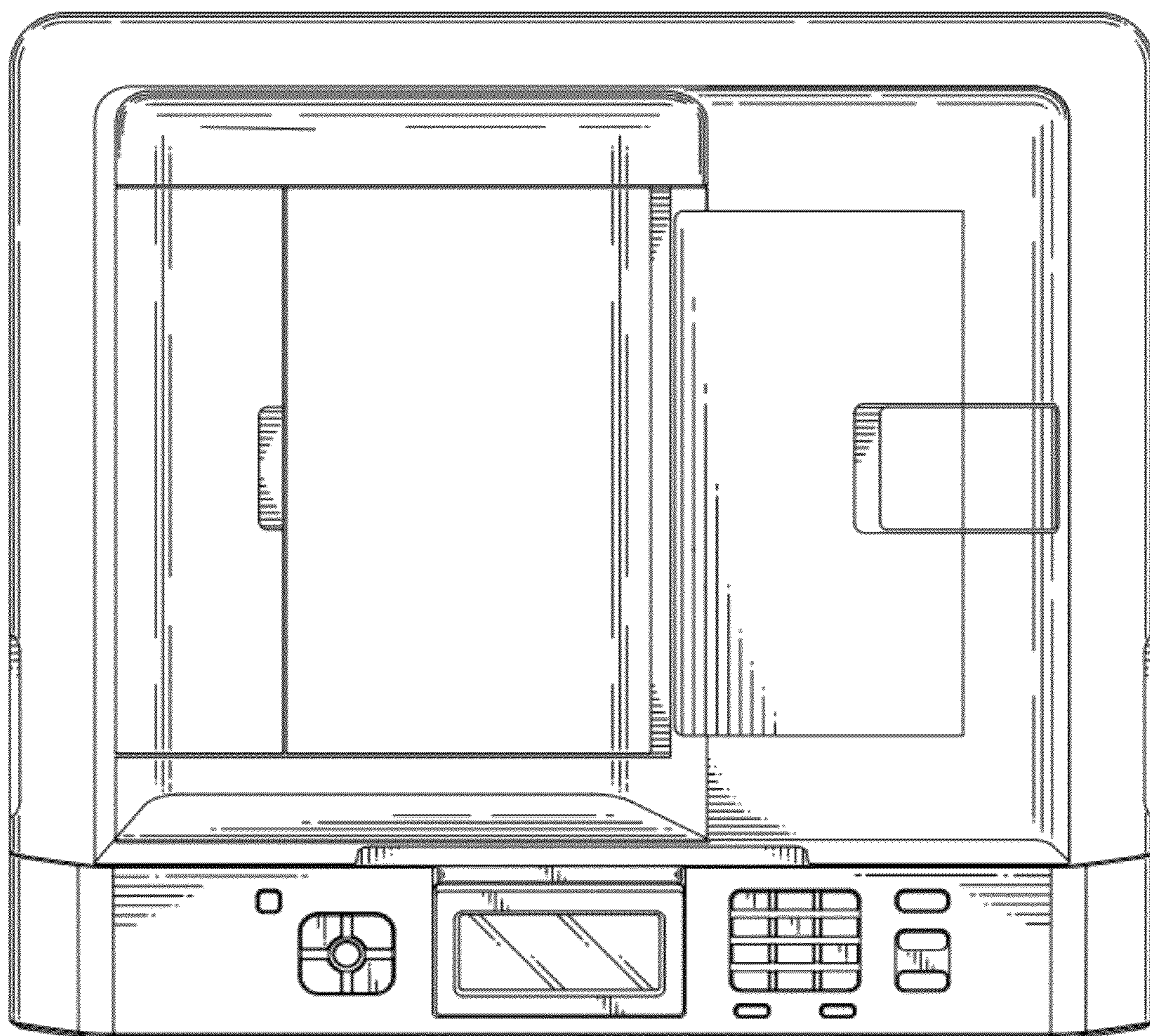


FIG. 3

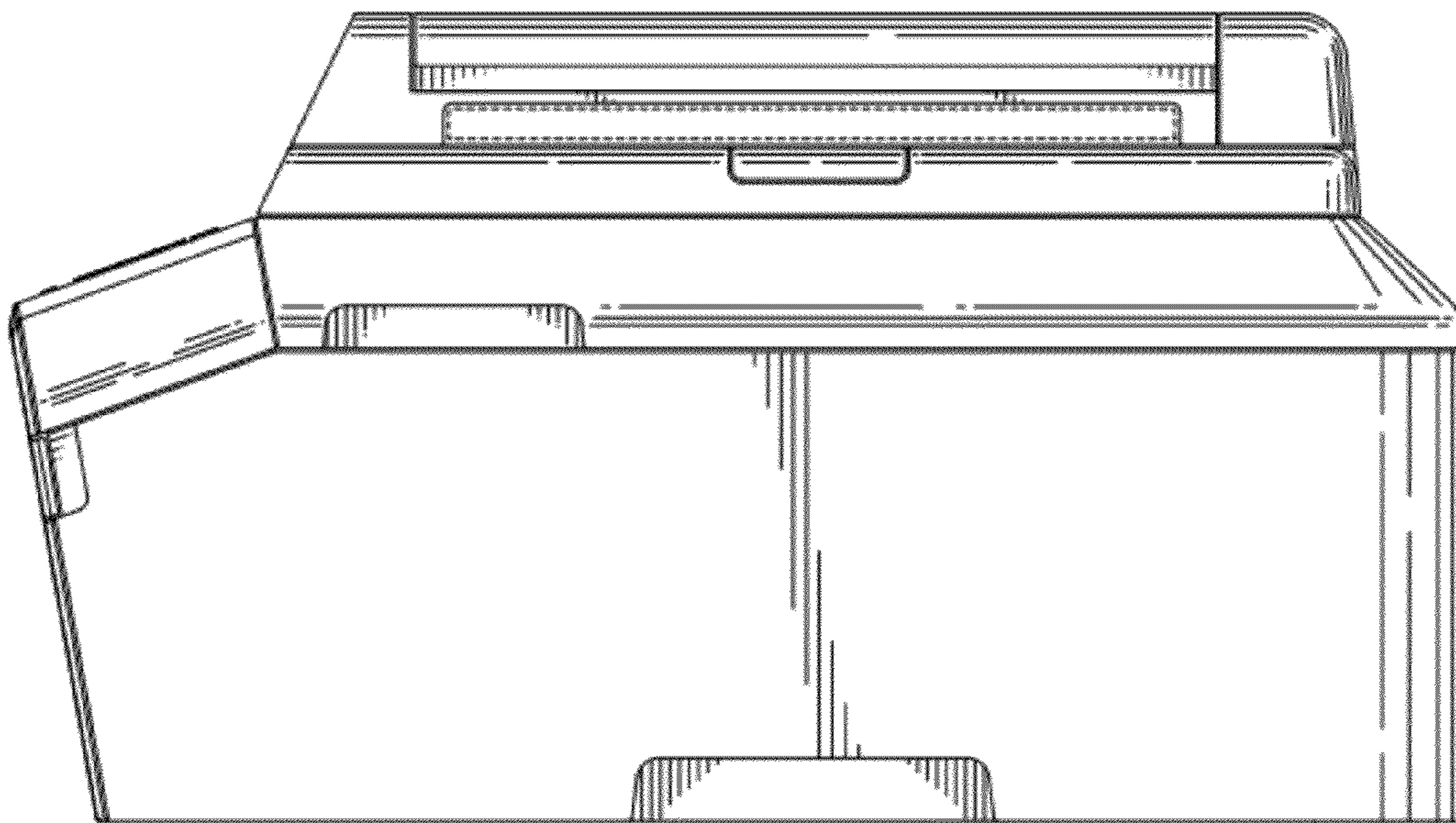


FIG. 4

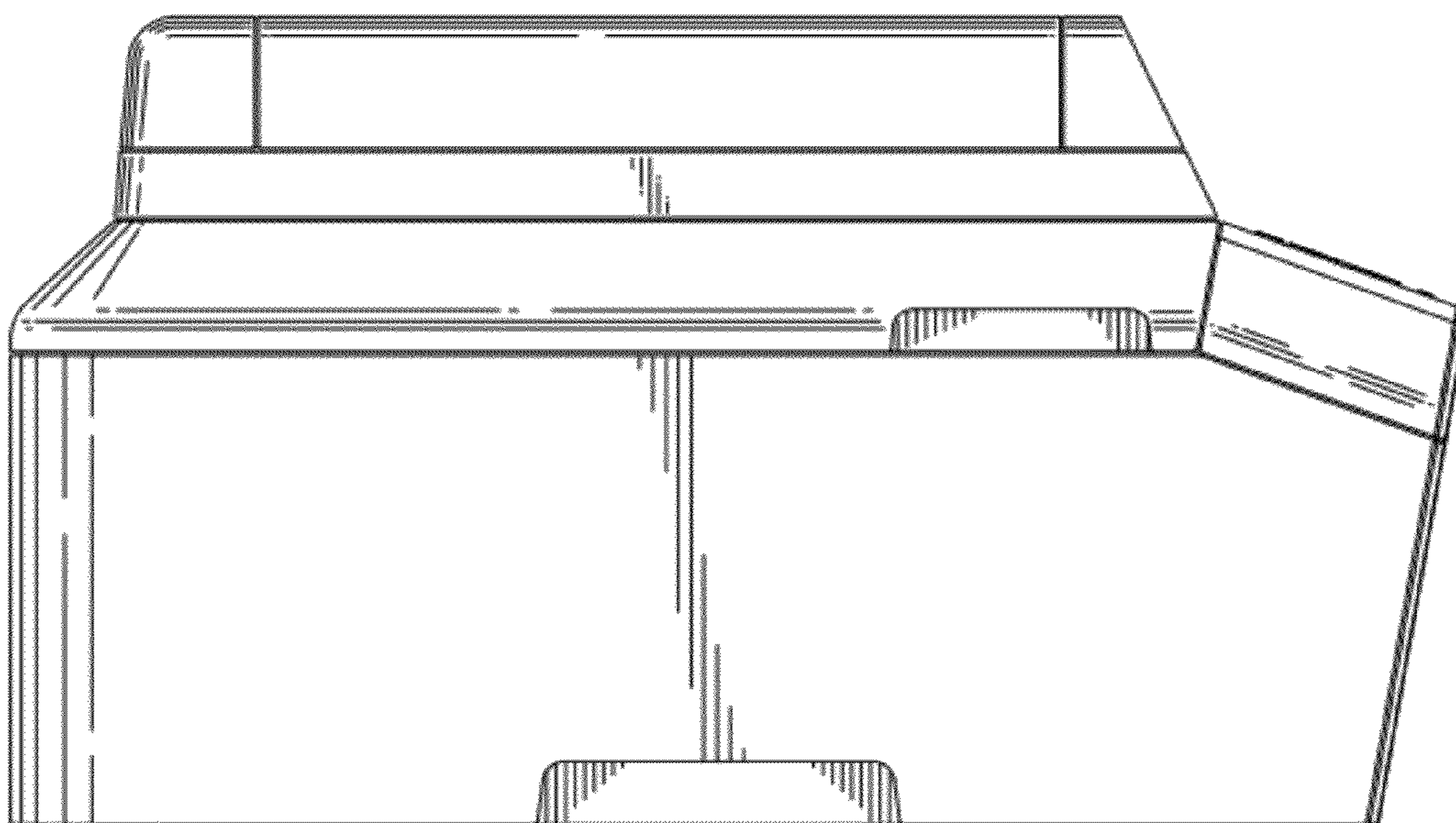


FIG. 5

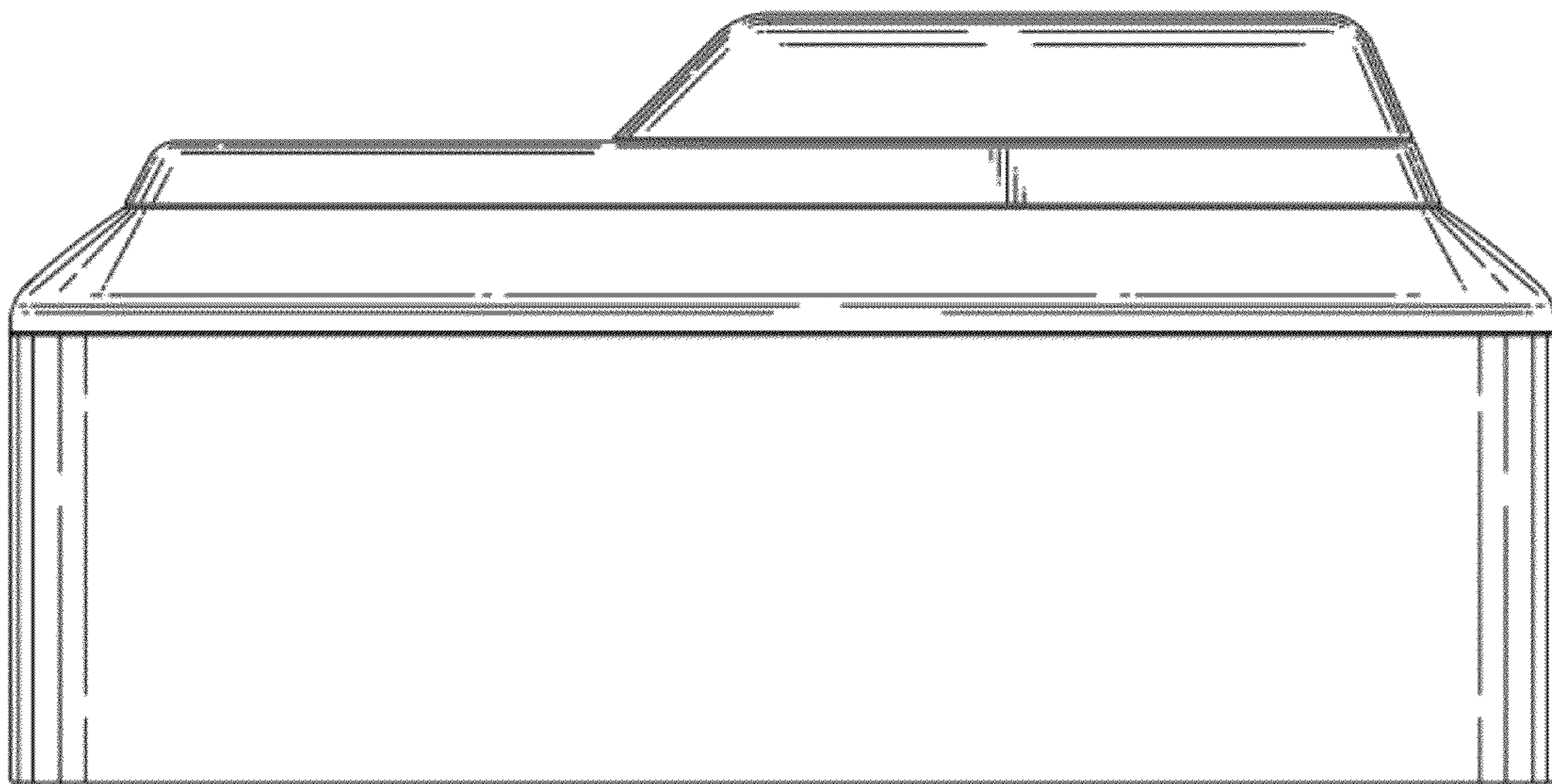


FIG. 6

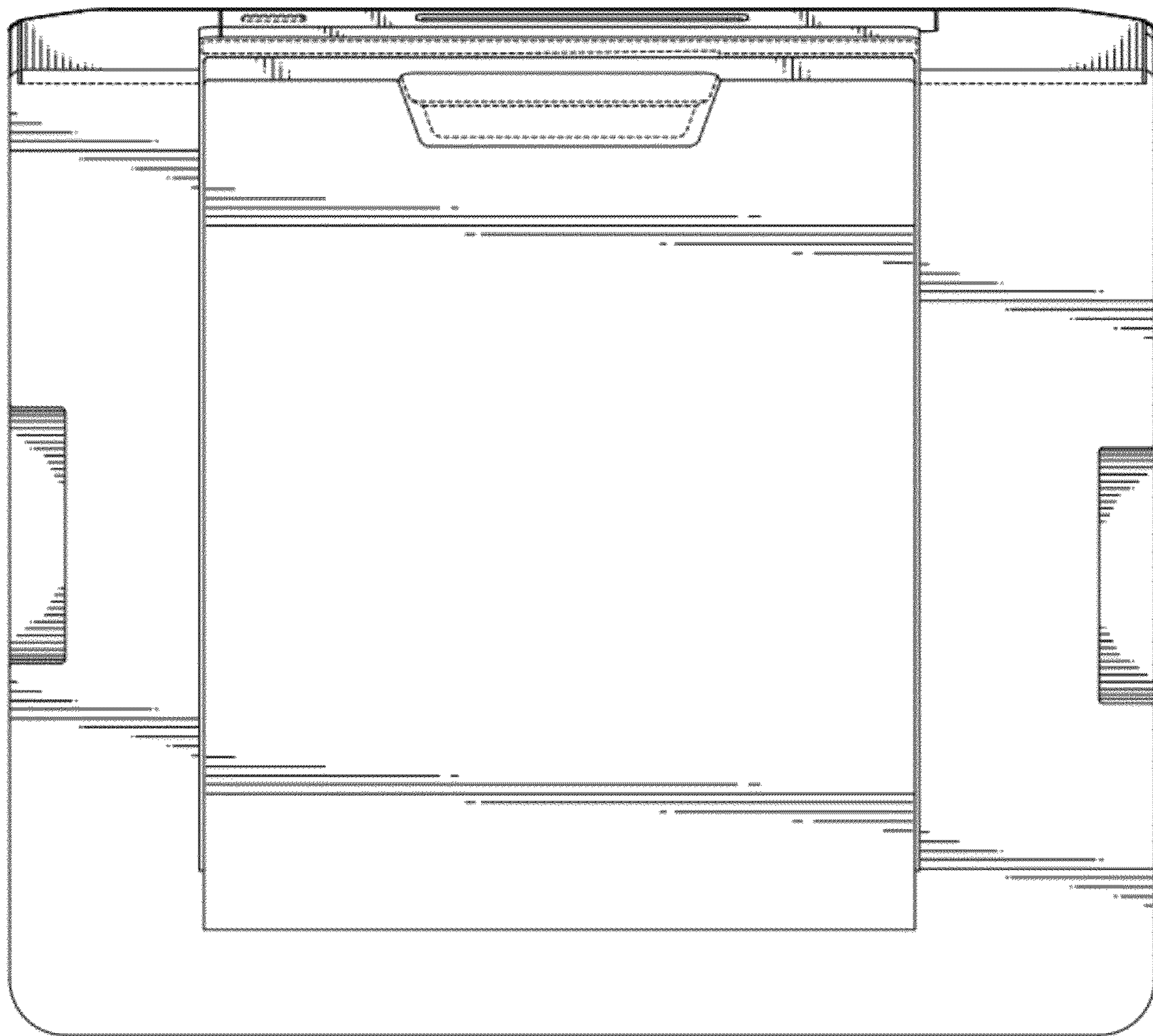


FIG. 7