



US00D674007S

(12) **United States Design Patent**
Ushikubo et al.

(10) **Patent No.:** **US D674,007 S**
(45) **Date of Patent:** **** Jan. 8, 2013**

(54) **IMAGE DRUM CARTRIDGE**
(75) Inventors: **Junichi Ushikubo**, Tokyo (JP);
Tatsuhiko Shimomura, Tokyo (JP);
Osamu Teramura, Tokyo (JP)

D496,395 S * 9/2004 Miyagawa D18/40
D501,020 S * 1/2005 Otani et al. D18/40
D510,594 S * 10/2005 Hirashima D18/56
D551,285 S * 9/2007 Ishikawa et al. D18/43
D552,163 S * 10/2007 Kouroku et al. D18/43
D588,633 S * 3/2009 Oda et al. D18/43
D638,053 S * 5/2011 Sato et al. D18/43

(73) Assignee: **Oki Data Corporation**, Tokyo (JP)

* cited by examiner

(**) Term: **14 Years**

Primary Examiner — Garth Rademaker

(21) Appl. No.: **29/361,764**

(74) *Attorney, Agent, or Firm* — Ladas & Parry LLP

(22) Filed: **May 14, 2010**

(57) **CLAIM**

We claim the ornamental design for an image drum cartridge, as shown and described.

(30) **Foreign Application Priority Data**

Apr. 30, 2010 (JP) 2010-10884

DESCRIPTION

(51) **LOC (9) Cl.** **16-03**

(52) **U.S. Cl.** **D18/43**

(58) **Field of Classification Search** D14/471;
D18/12, 36, 40, 43, 44, 56; 222/DIG. 1;
347/197, 222; 399/24–28, 107–112, 119,
399/121, 122, 222–224

See application file for complete search history.

FIG. 1 is a top, front and right side perspective view of an image drum cartridge of our design;
FIG. 2 is a top view thereof;
FIG. 3 is a left side view thereof;
FIG. 4 is a right side view thereof;
FIG. 5 is a front view thereof;
FIG. 6 is a bottom view thereof; and,
FIG. 7 is a rear view thereof.

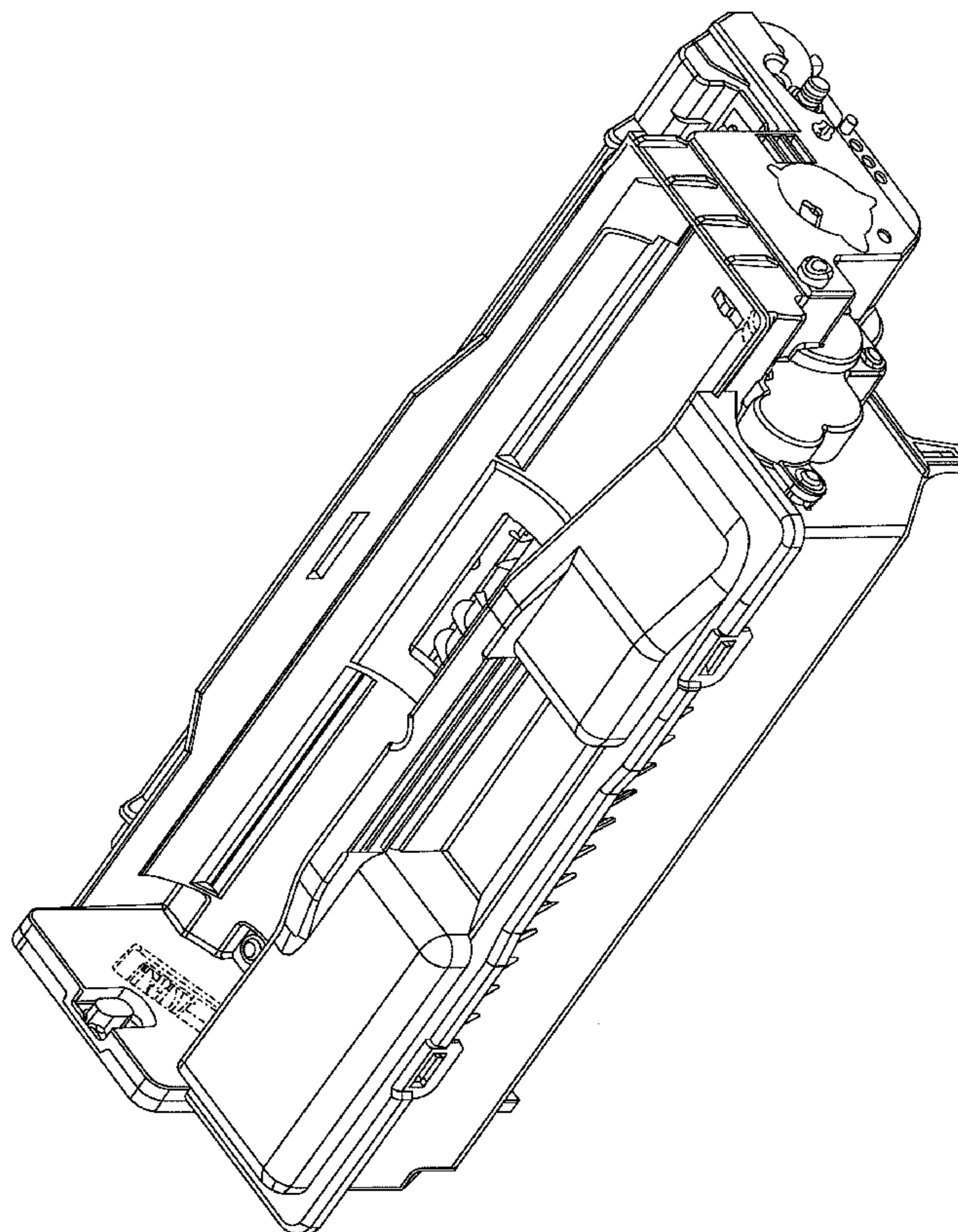
The broken lines depict environment subject matter only and form no part of the claimed design.

(56) **References Cited**

U.S. PATENT DOCUMENTS

D400,570 S * 11/1998 Konuma et al. D18/40
D419,182 S * 1/2000 Tsuda et al. D18/43

1 Claim, 7 Drawing Sheets



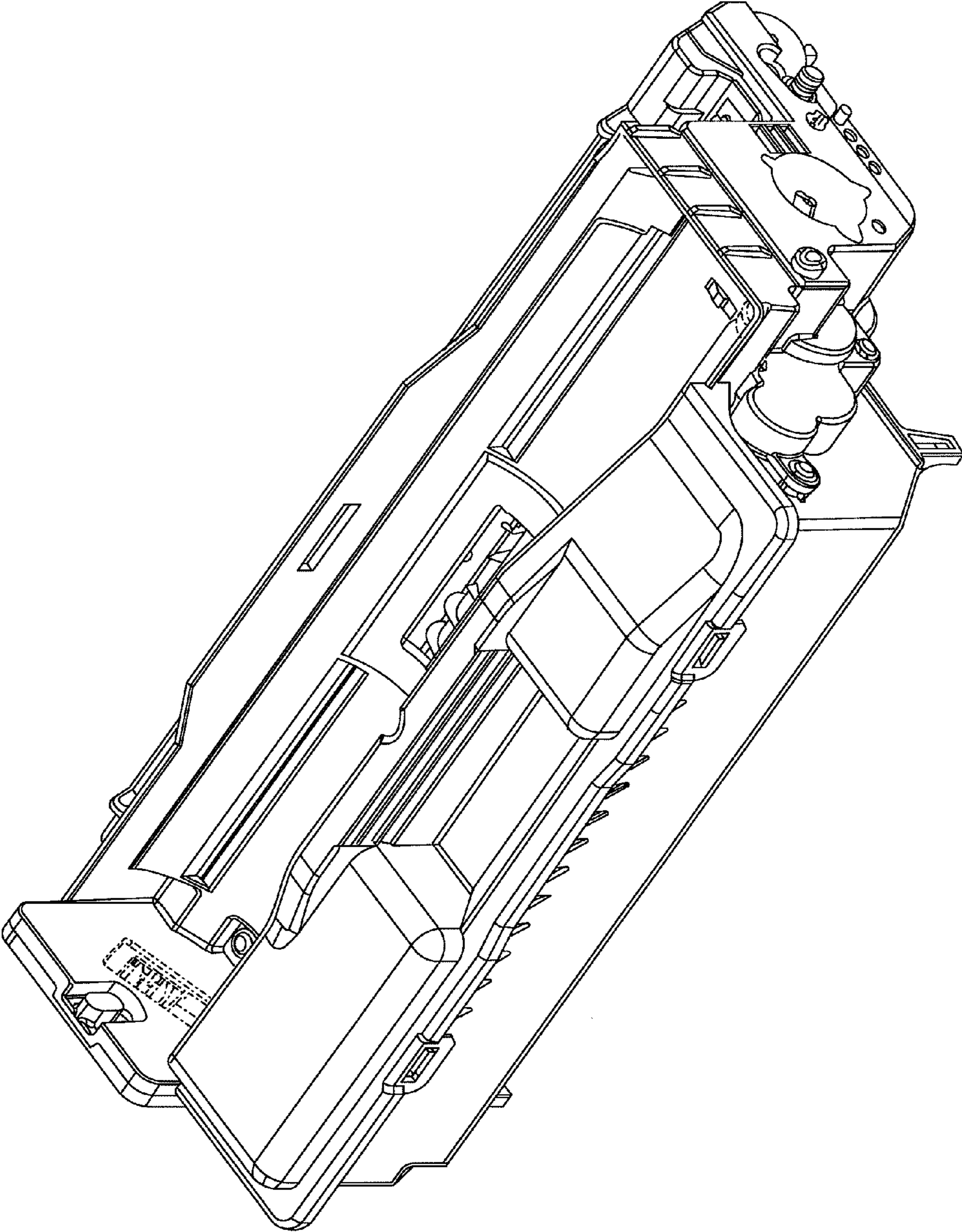


FIG. 1

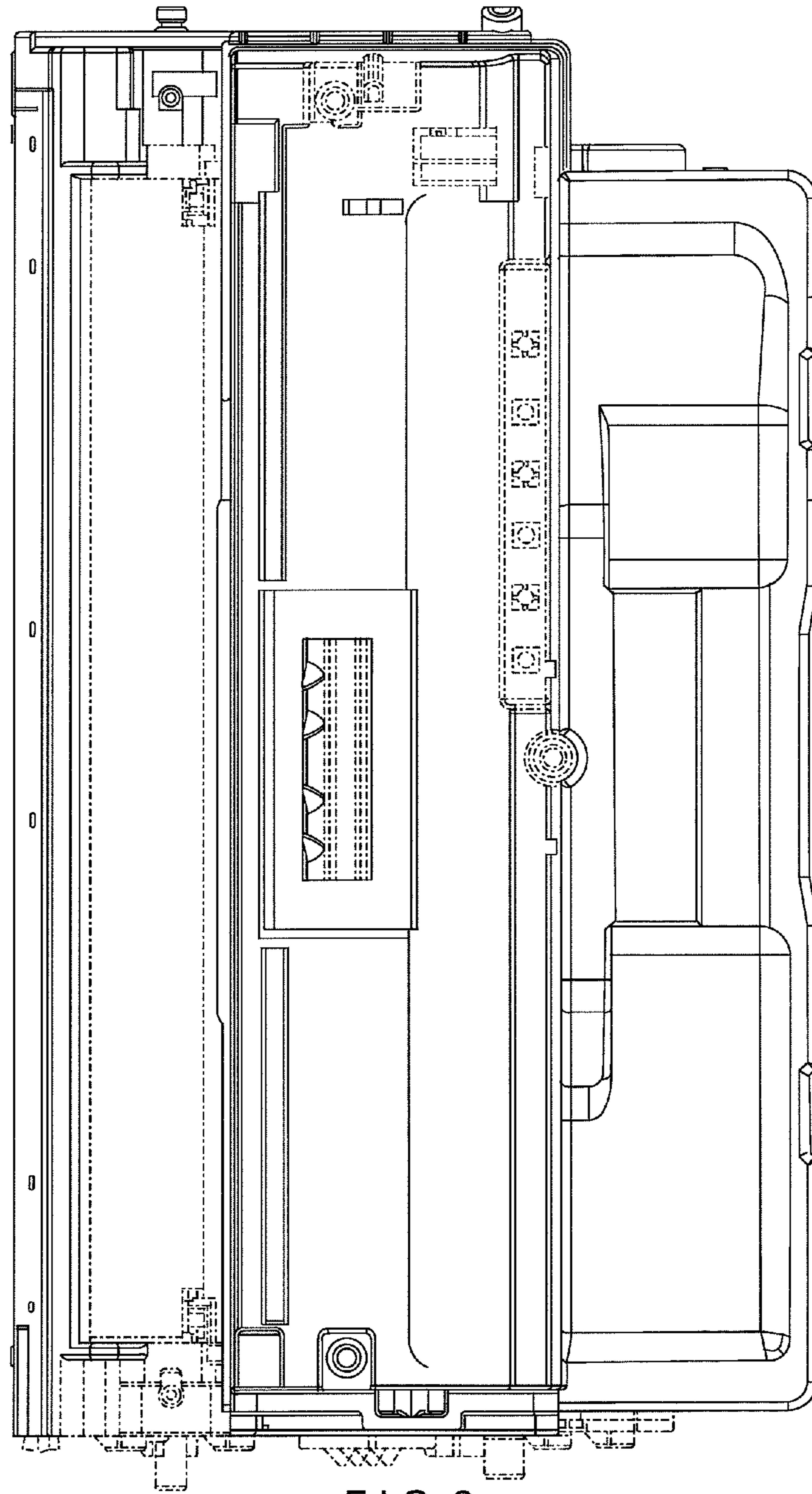


FIG. 2

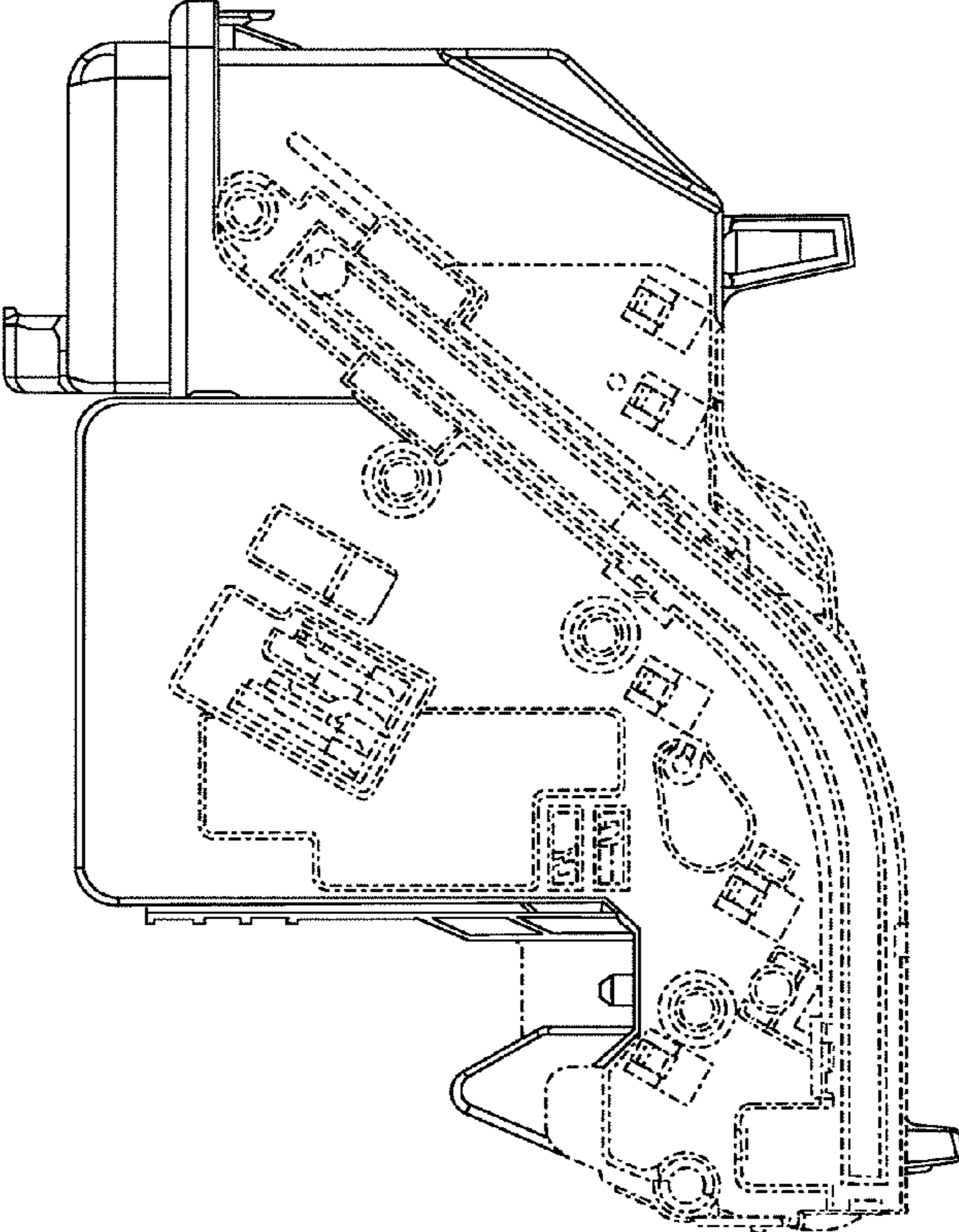


FIG. 3

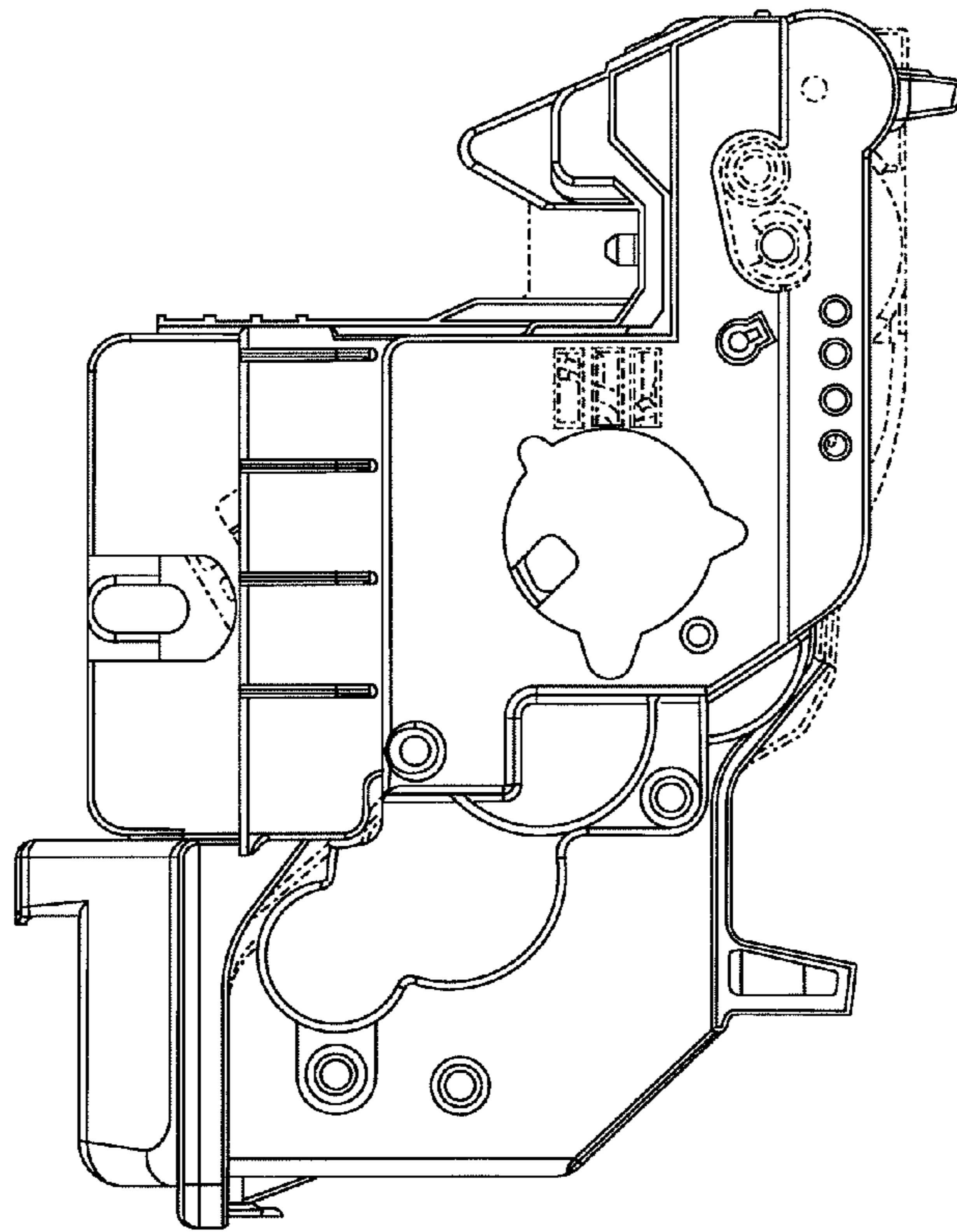


FIG. 4

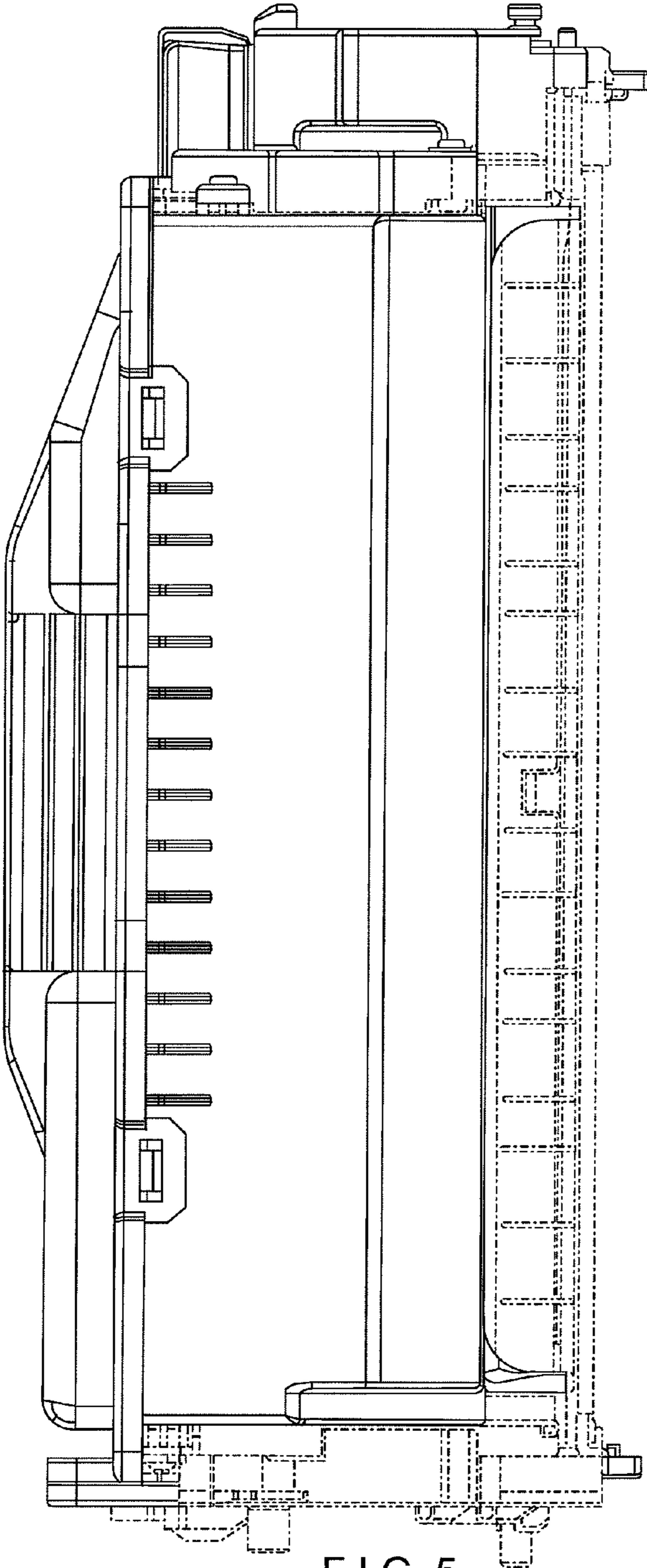


FIG. 5

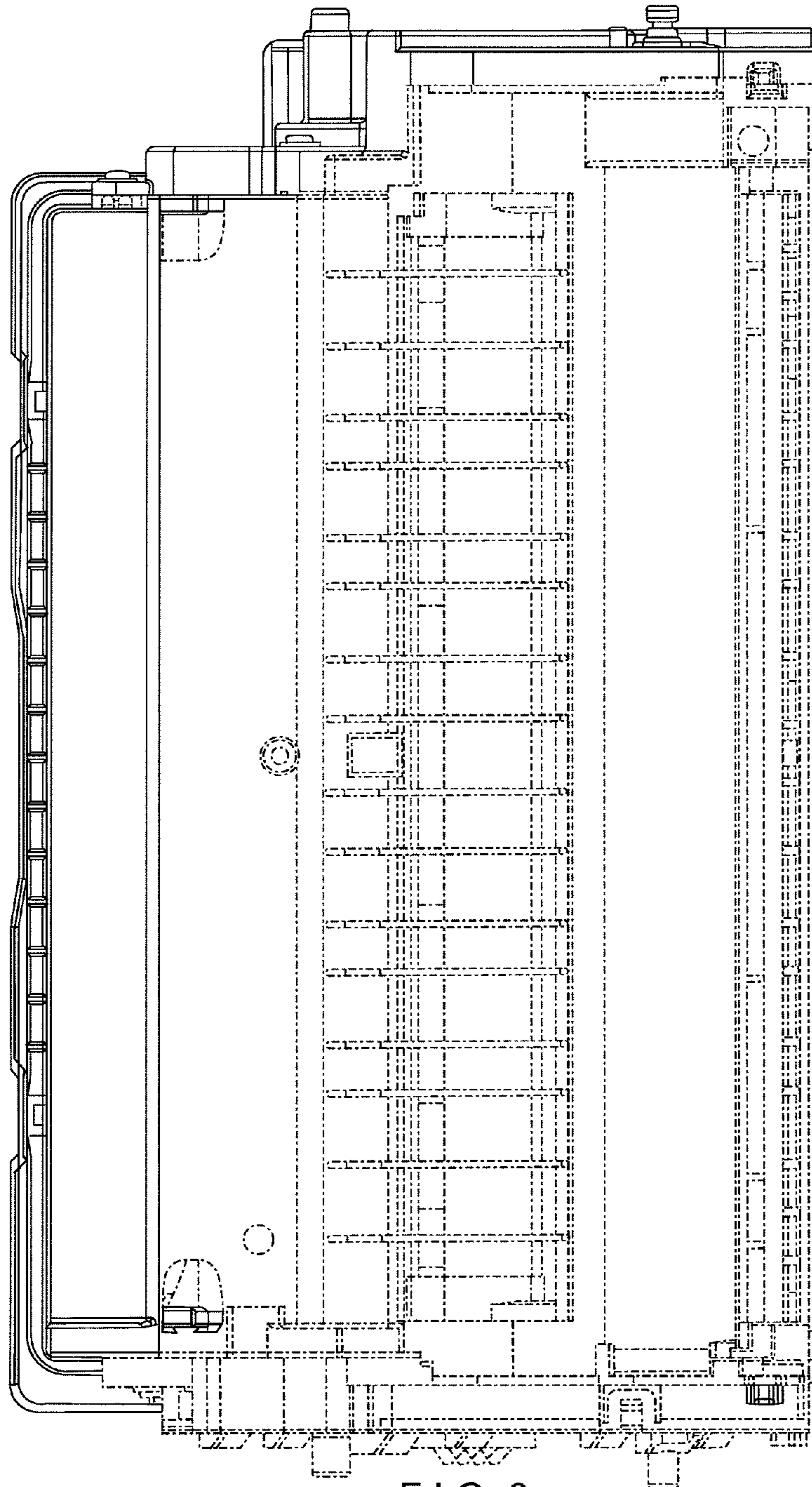


FIG. 6

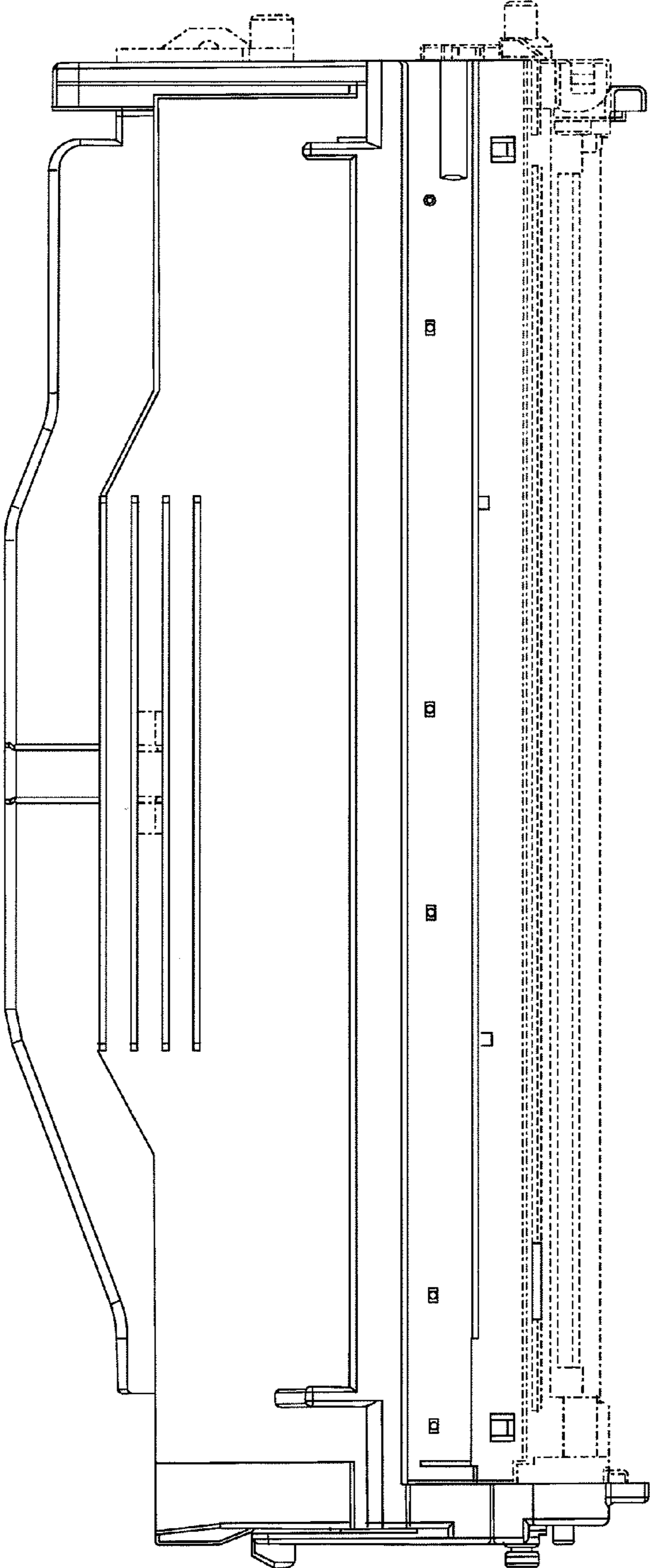


FIG. 7