



US00D674006S

(12) **United States Design Patent**
Ohta et al.

(10) **Patent No.:** **US D674,006 S**
(45) **Date of Patent:** **** Jan. 8, 2013**

(54) **TONER CARTRIDGE**

(75) Inventors: **Atsushi Ohta**, Tokyo (JP); **Ken Nozawa**, Tokyo (JP); **Yukiyoshi Oda**, Tokyo (JP)

(73) Assignee: **Oki Data Corporation**, Tokyo (JP)

(**) Term: **14 Years**

(21) Appl. No.: **29/361,759**

(22) Filed: **May 14, 2010**

(30) **Foreign Application Priority Data**

Apr. 30, 2010 (JP) 2010-10936

(51) **LOC (9) Cl.** **16-03**

(52) **U.S. Cl.** **D18/43**

(58) **Field of Classification Search** D14/471;
D18/12, 36, 40, 43, 44, 56; 222/DIG. 1;
347/197, 222; 399/24-28, 107-112, 119,
399/121, 122, 222-224

See application file for complete search history.

(56) **References Cited**

U.S. PATENT DOCUMENTS

D400,570 S * 11/1998 Konuma et al. D18/40
D448,042 S * 9/2001 Hale et al. D18/43
D464,079 S * 10/2002 Funayama et al. D18/43

D464,370 S * 10/2002 Kunihiro et al. D18/43
D468,763 S * 1/2003 Kunihiro et al. D18/40
D553,183 S * 10/2007 Hashimoto et al. D18/43
7,747,180 B2 * 6/2010 Wittenauer et al. 399/27
2010/0189469 A1 * 7/2010 Nozawa et al. 399/254
2010/0247160 A1 * 9/2010 Ohta et al. 399/262
2011/0044720 A1 * 2/2011 Holmes et al. 399/109

* cited by examiner

Primary Examiner — Garth Rademaker

(74) *Attorney, Agent, or Firm* — Ladas & Parry LLP

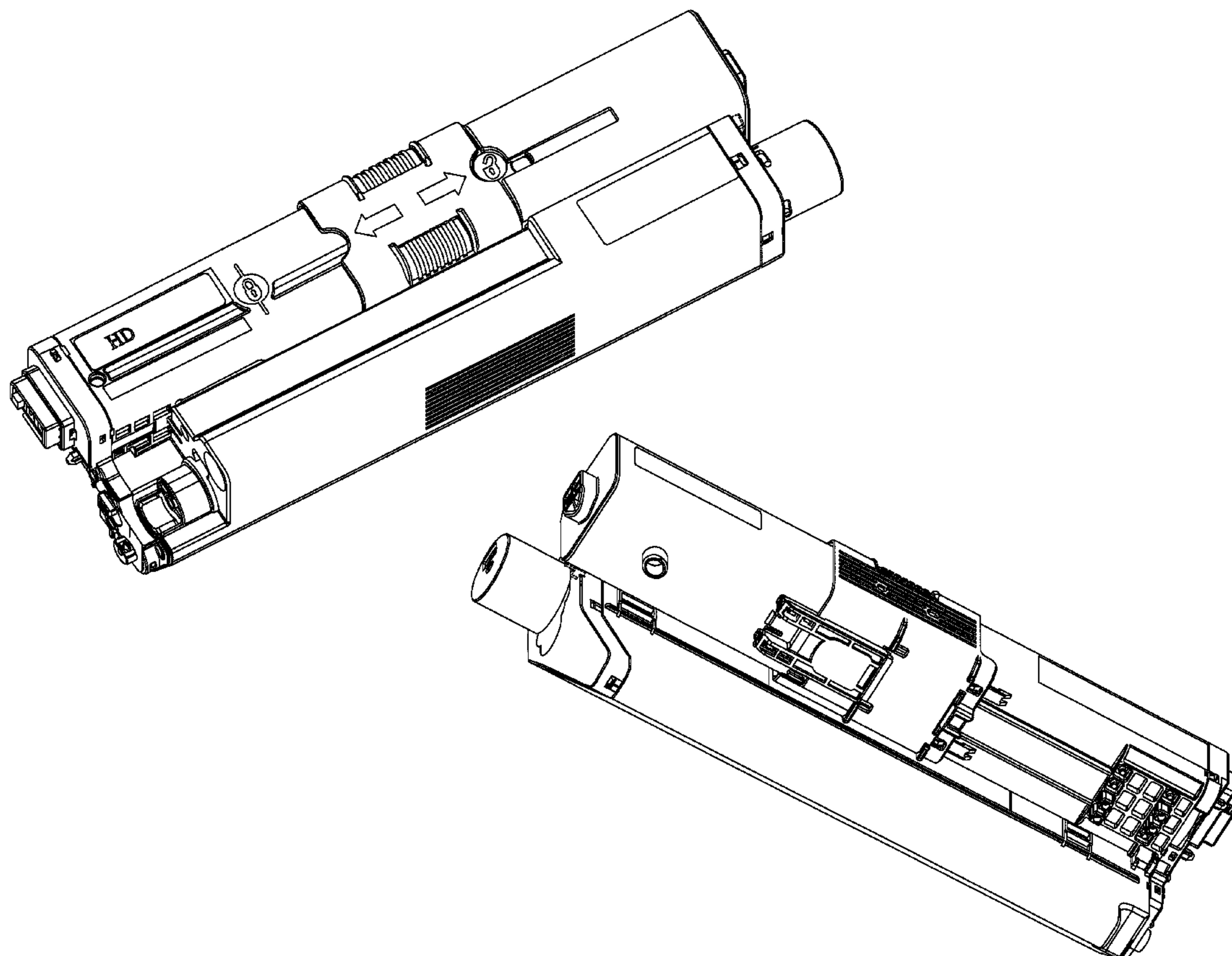
(57) **CLAIM**

We claim the ornamental design for a toner cartridge, as shown and described.

DESCRIPTION

FIG. 1 is a front view of a toner cartridge of our design; FIG. 2 is a left side view thereof; FIG. 3 is a right side view thereof; FIG. 4 is a rear view thereof; FIG. 5 is a top view thereof; FIG. 6 is a bottom view thereof; FIG. 7 is a top perspective view thereof; and, FIG. 8 is a bottom perspective view thereof. The broken lines depict environment subject matter only and form no part of the claimed design.

1 Claim, 8 Drawing Sheets



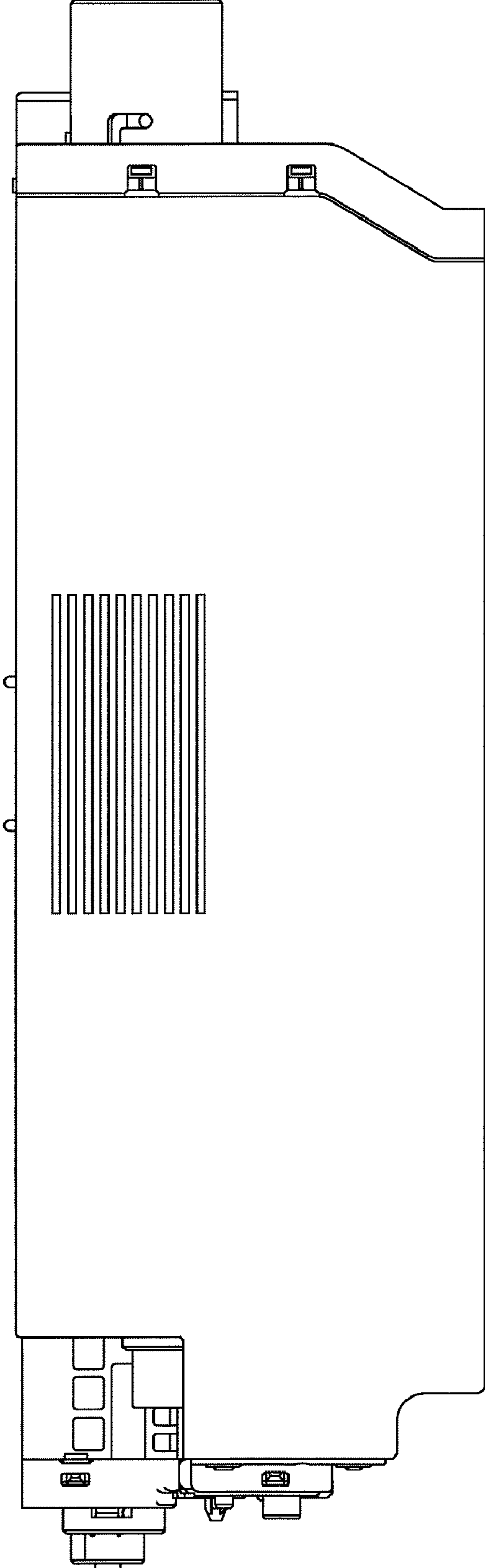


FIG. 1

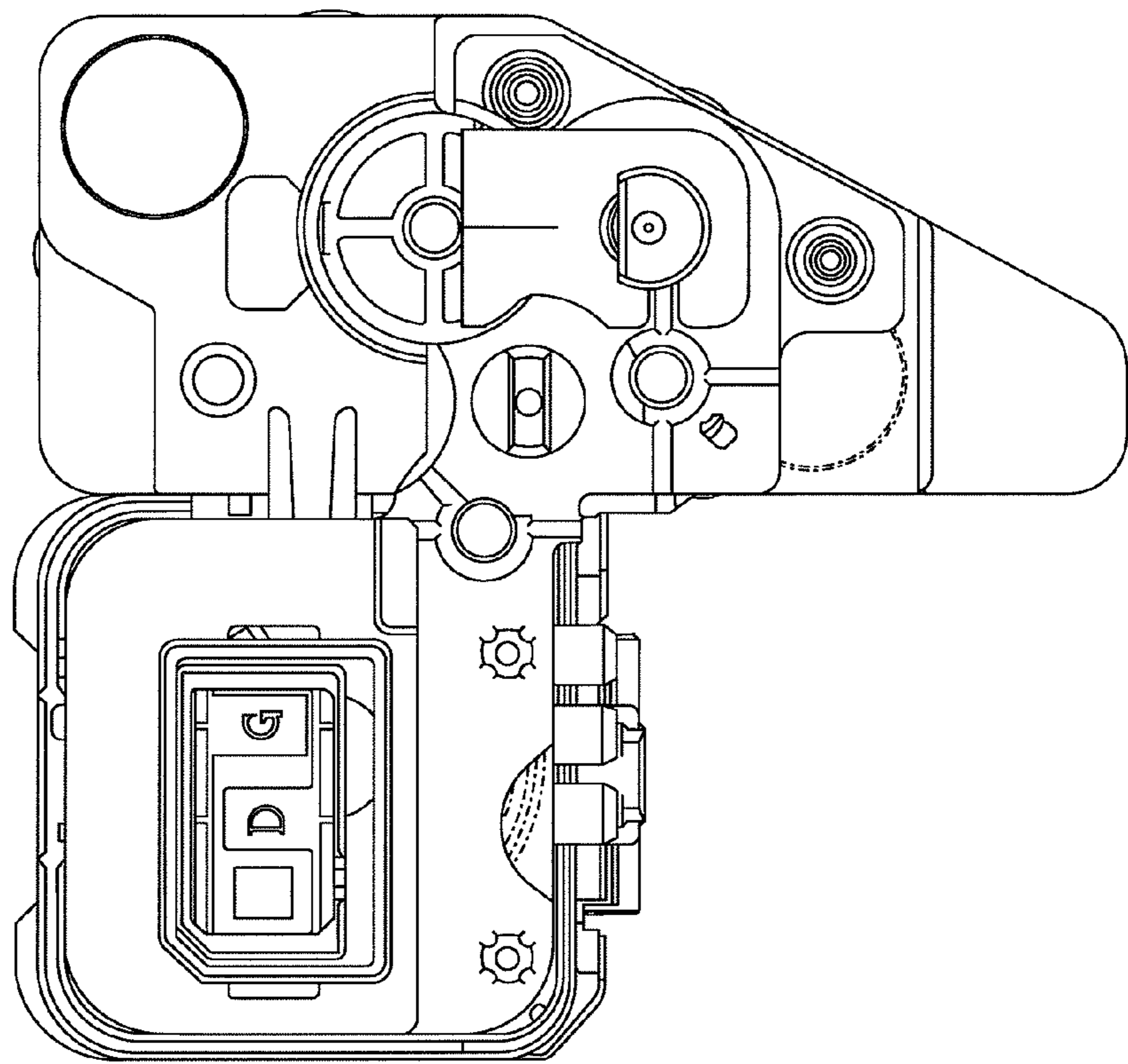


FIG. 2

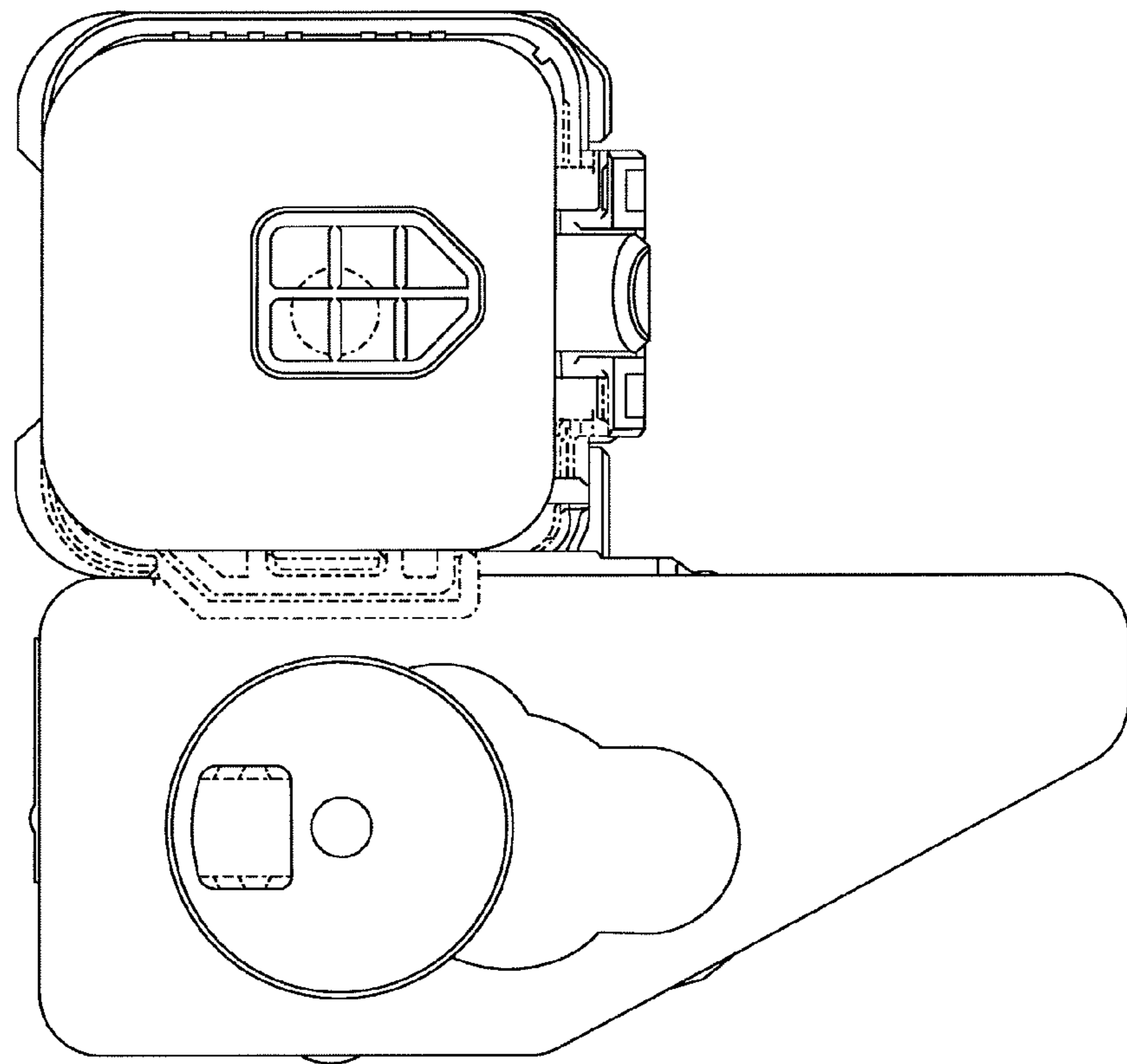


FIG. 3

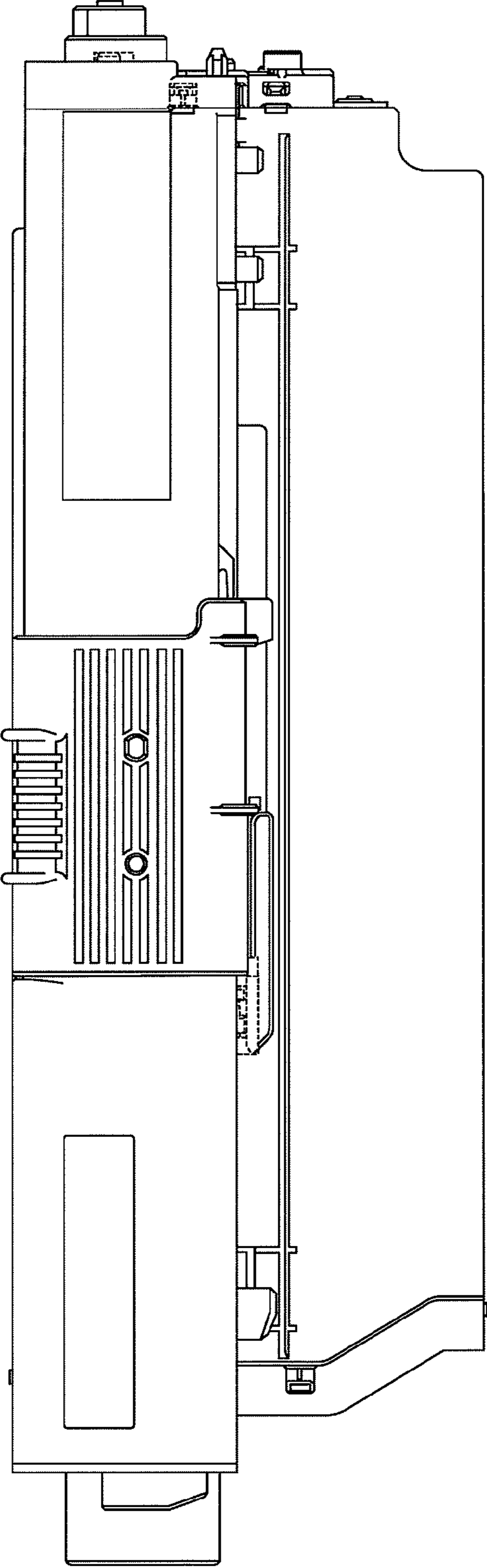


FIG. 4

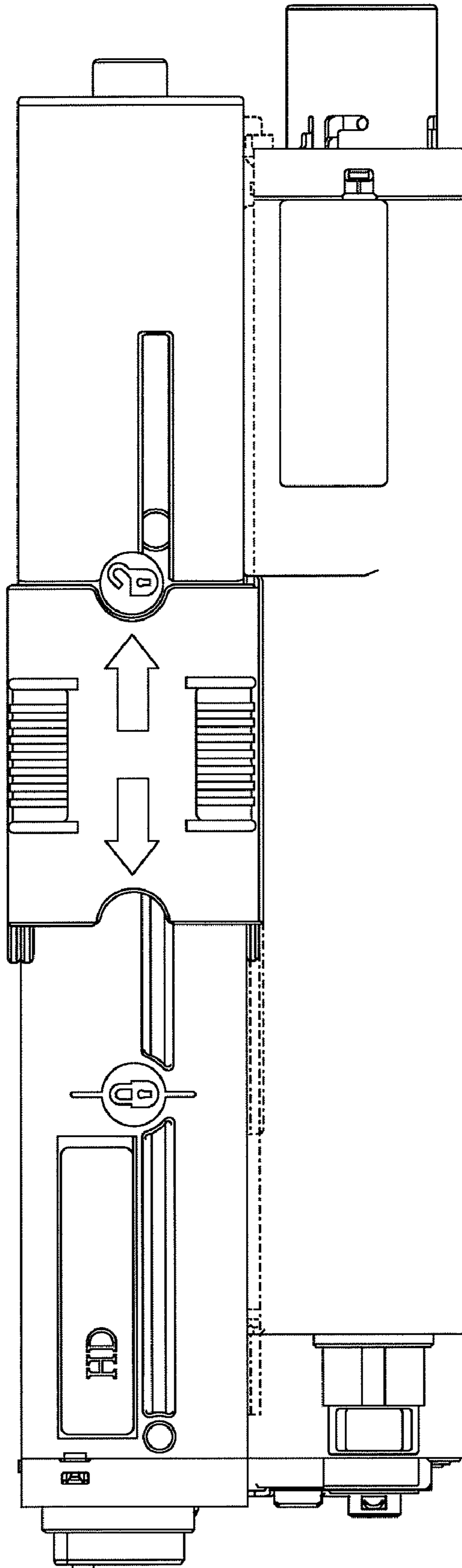


FIG. 5

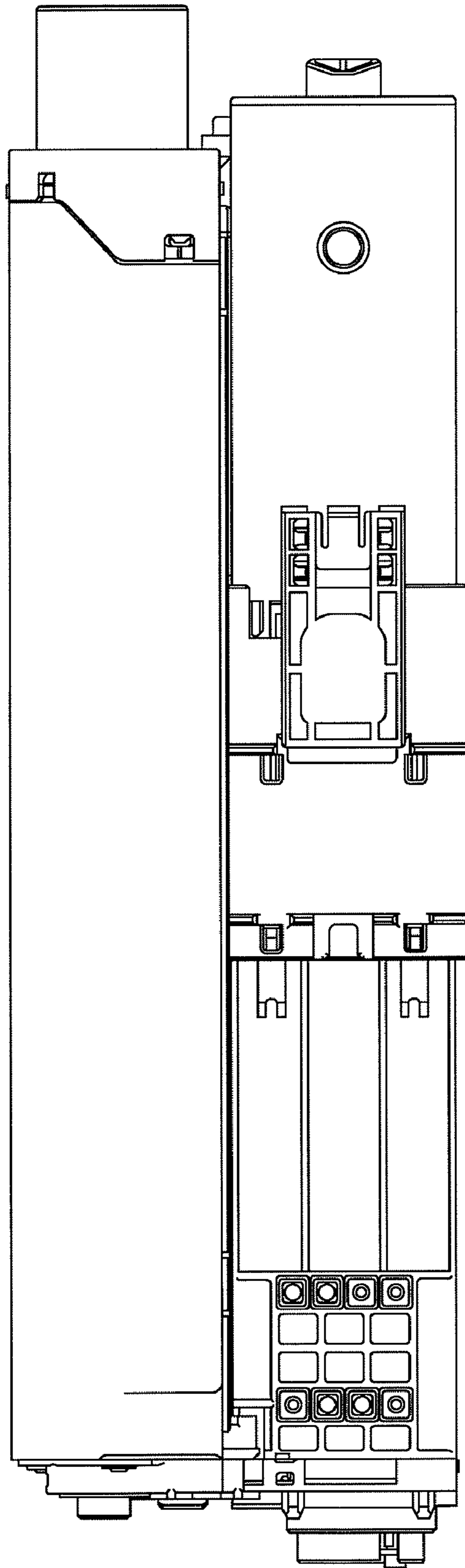


FIG. 6

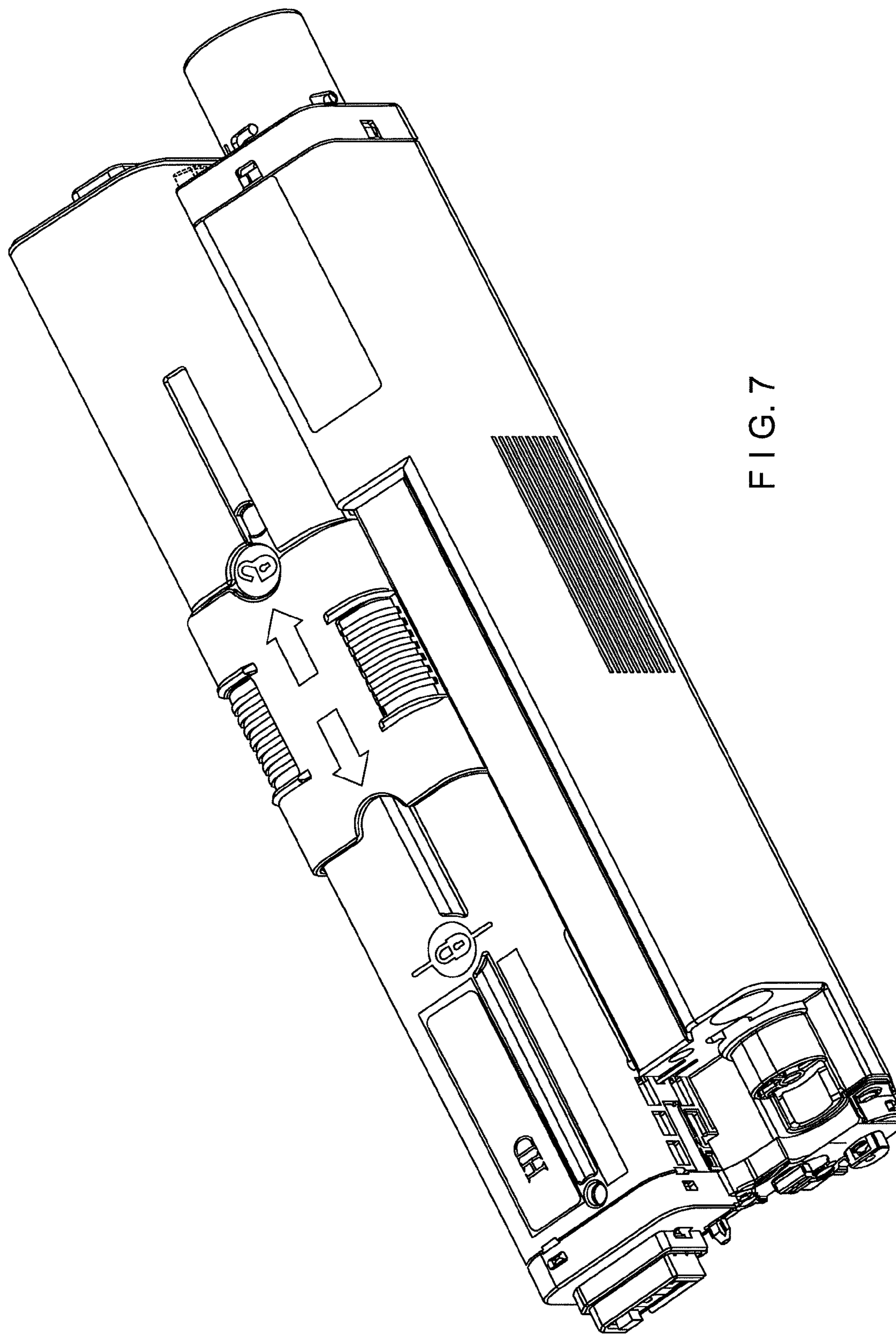


FIG. 7

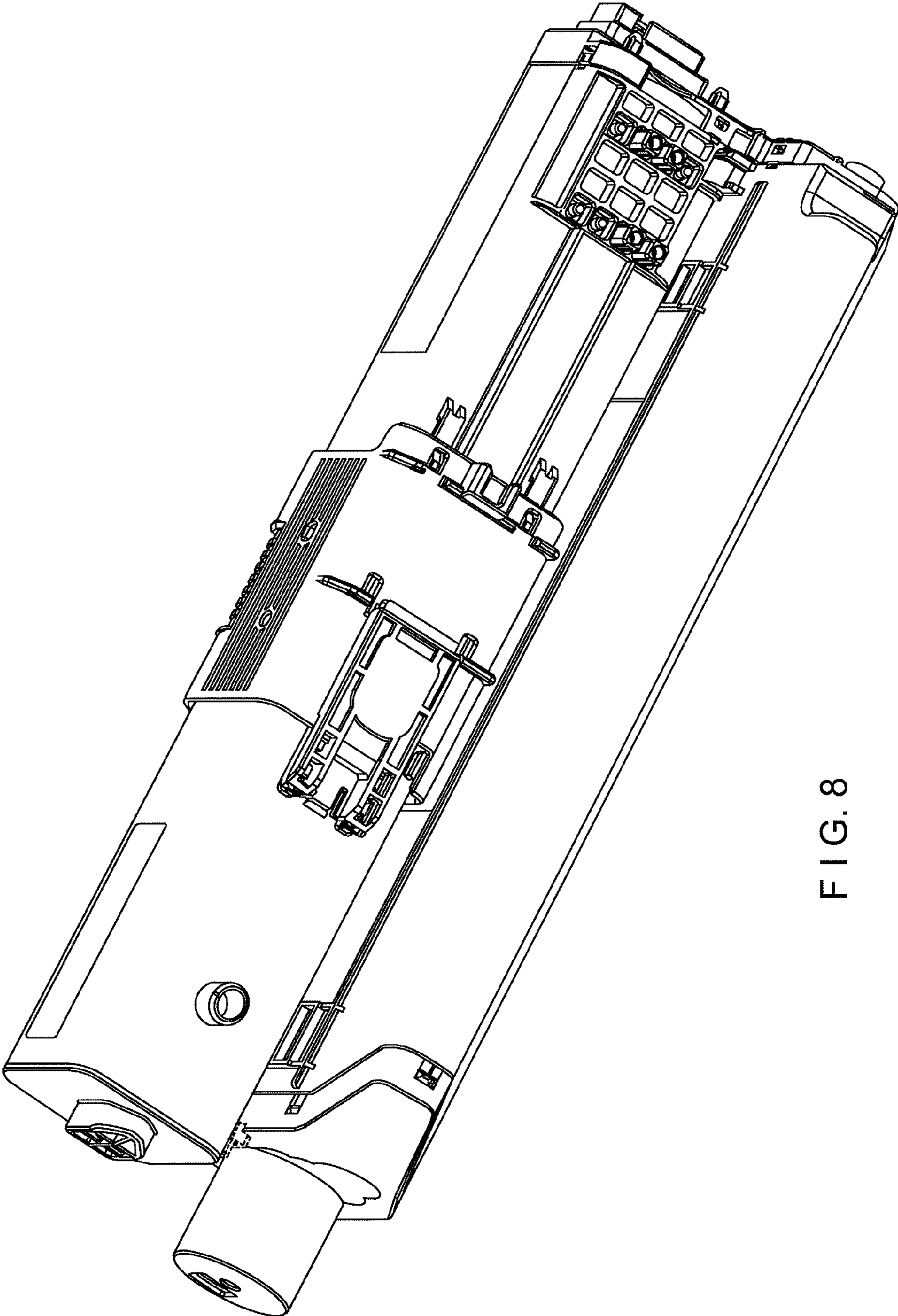


FIG. 8