



US00D674005S

(12) **United States Design Patent**  
**Teramura et al.**

(10) **Patent No.:** **US D674,005 S**

(45) **Date of Patent:** **\*\* Jan. 8, 2013**

(54) **TONER CARTRIDGE**

(75) Inventors: **Osamu Teramura**, Tokyo (JP);  
**Tatsuhiko Shimomura**, Tokyo (JP);  
**Junichi Ushikubo**, Tokyo (JP)

(73) Assignee: **Oki Data Corporation**, Tokyo (JP)

(\*\*) Term: **14 Years**

(21) Appl. No.: **29/361,745**

(22) Filed: **May 14, 2010**

(30) **Foreign Application Priority Data**

Apr. 30, 2010 (JP) ..... 2010-10896

(51) **LOC (9) Cl.** ..... **16-03**

(52) **U.S. Cl.** ..... **D18/43**

(58) **Field of Classification Search** ..... D14/471;  
D18/12, 36, 40, 43, 44, 56; 222/DIG. 1;  
347/197, 222; 399/24-28, 107-112, 119,  
399/121, 122, 222-224

See application file for complete search history.

(56) **References Cited**

**U.S. PATENT DOCUMENTS**

D394,083 S \* 5/1998 Jyoroku ..... D18/43  
D448,795 S \* 10/2001 Kusanagi et al. .... D18/43

6,324,371 B1 \* 11/2001 Okiyama et al. .... 399/106  
D459,388 S \* 6/2002 Irie et al. .... D18/43  
D469,119 S \* 1/2003 Shiba ..... D18/43  
D491,602 S \* 6/2004 Koyama et al. .... D18/43  
D546,873 S \* 7/2007 Otani et al. .... D18/43  
D546,874 S \* 7/2007 Hakukawa ..... D18/43  
D573,631 S \* 7/2008 Oda et al. .... D18/43  
D576,668 S \* 9/2008 Okino et al. .... D18/43  
D636,017 S \* 4/2011 Takiguchi et al. .... D18/43

\* cited by examiner

*Primary Examiner* — Garth Rademaker

(74) *Attorney, Agent, or Firm* — Ladas & Parry LLP

(57) **CLAIM**

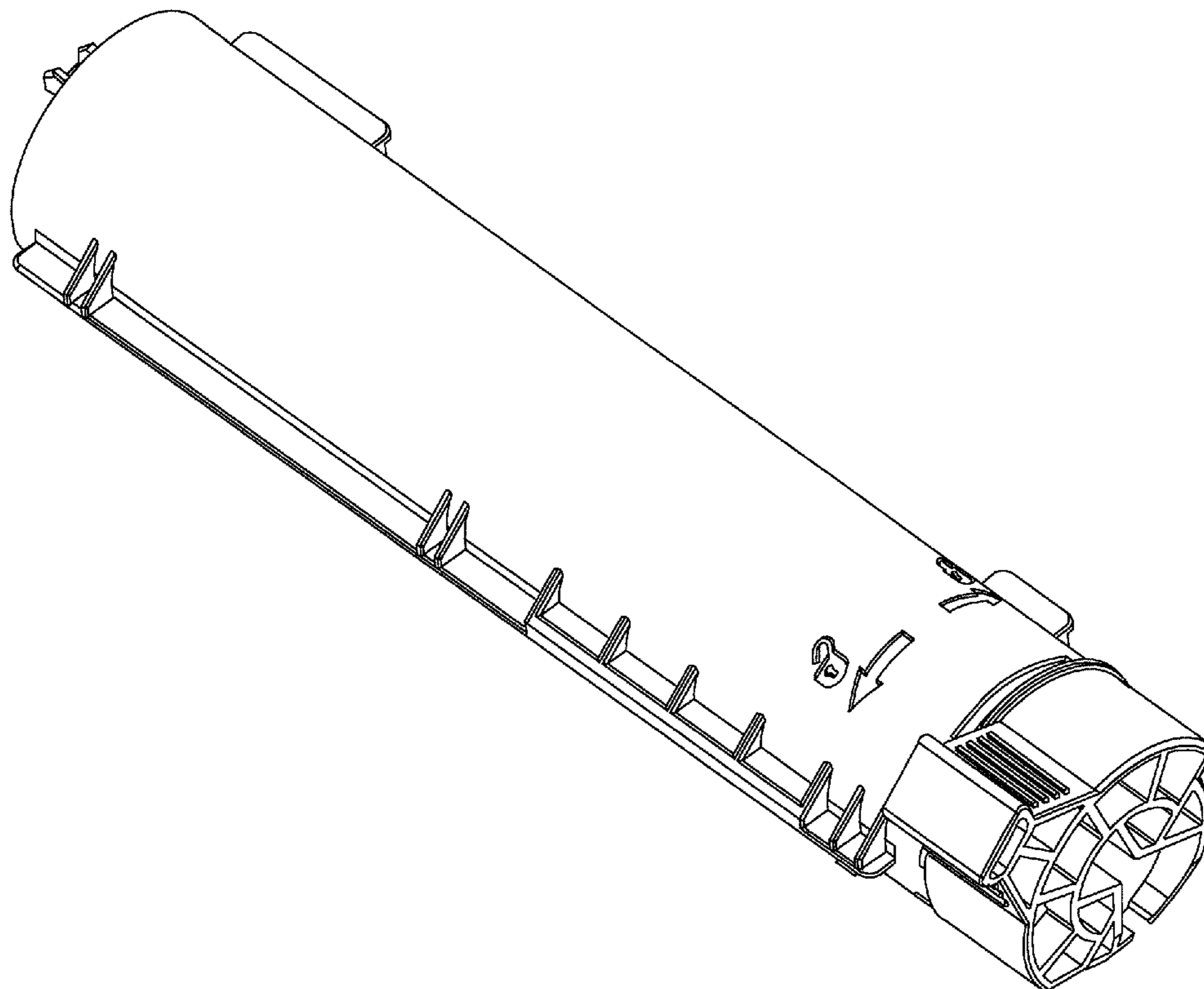
We claim the ornamental design for a toner cartridge, as shown and described.

**DESCRIPTION**

FIG. 1 is a front, top and right side perspective view of a toner cartridge of our design;  
FIG. 2 is a front view thereof;  
FIG. 3 is a left side view thereof;  
FIG. 4 is a right side view thereof;  
FIG. 5 is a top view thereof;  
FIG. 6 is a bottom view thereof; and,  
FIG. 7 is a rear view thereof.

The broken lines depict environment subject matter only and form no part of the claimed design.

**1 Claim, 7 Drawing Sheets**



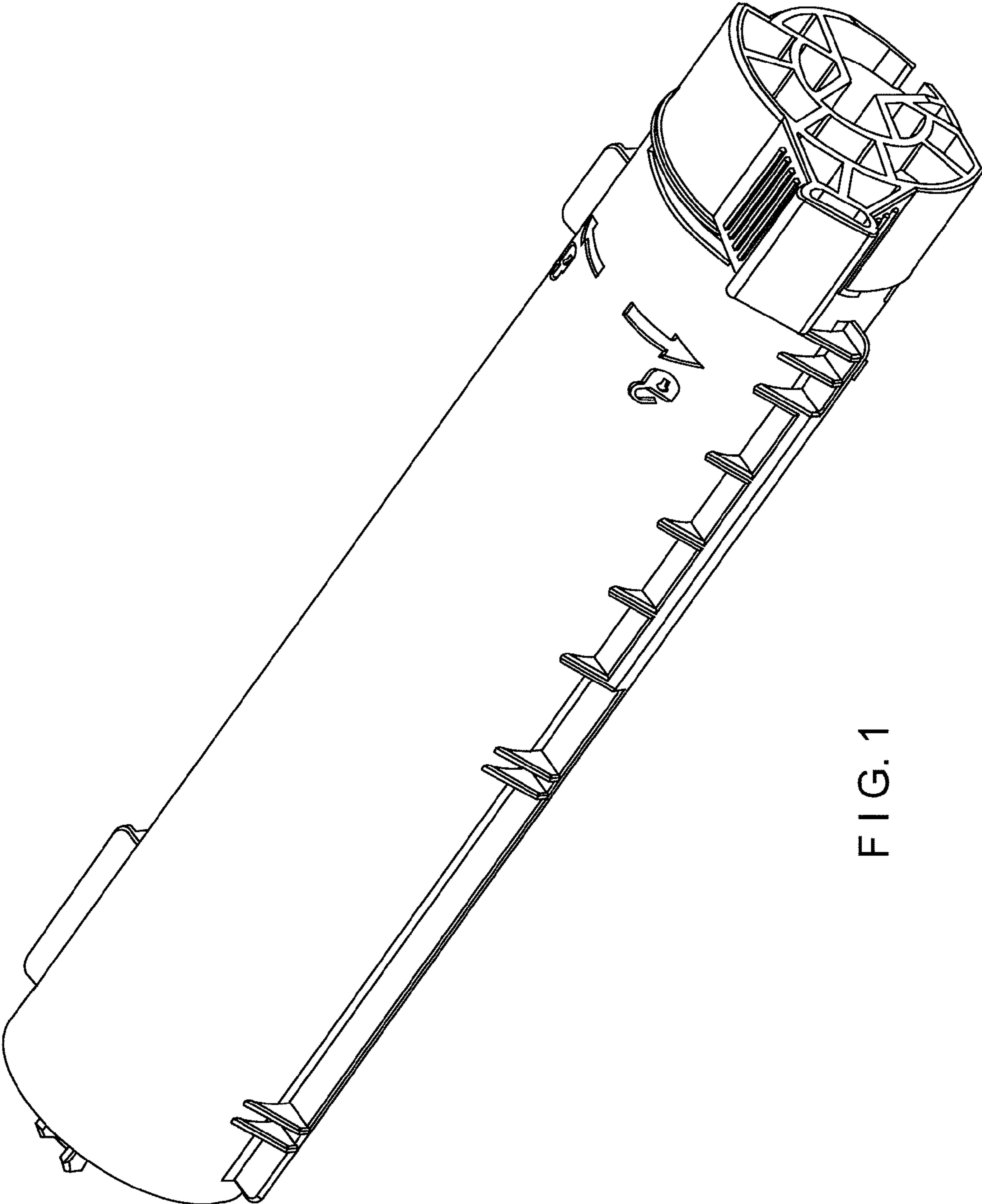


FIG. 1

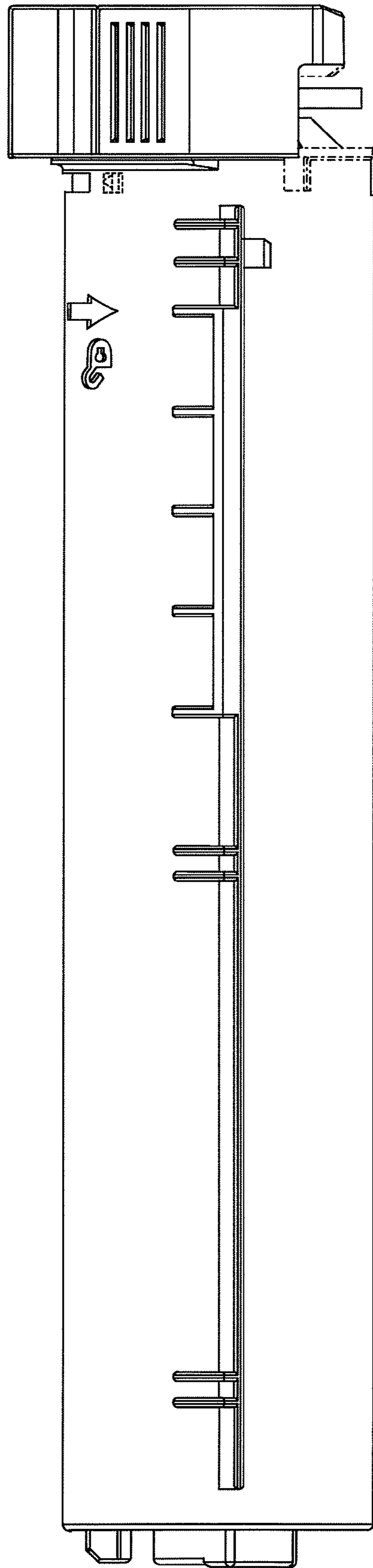


FIG. 2

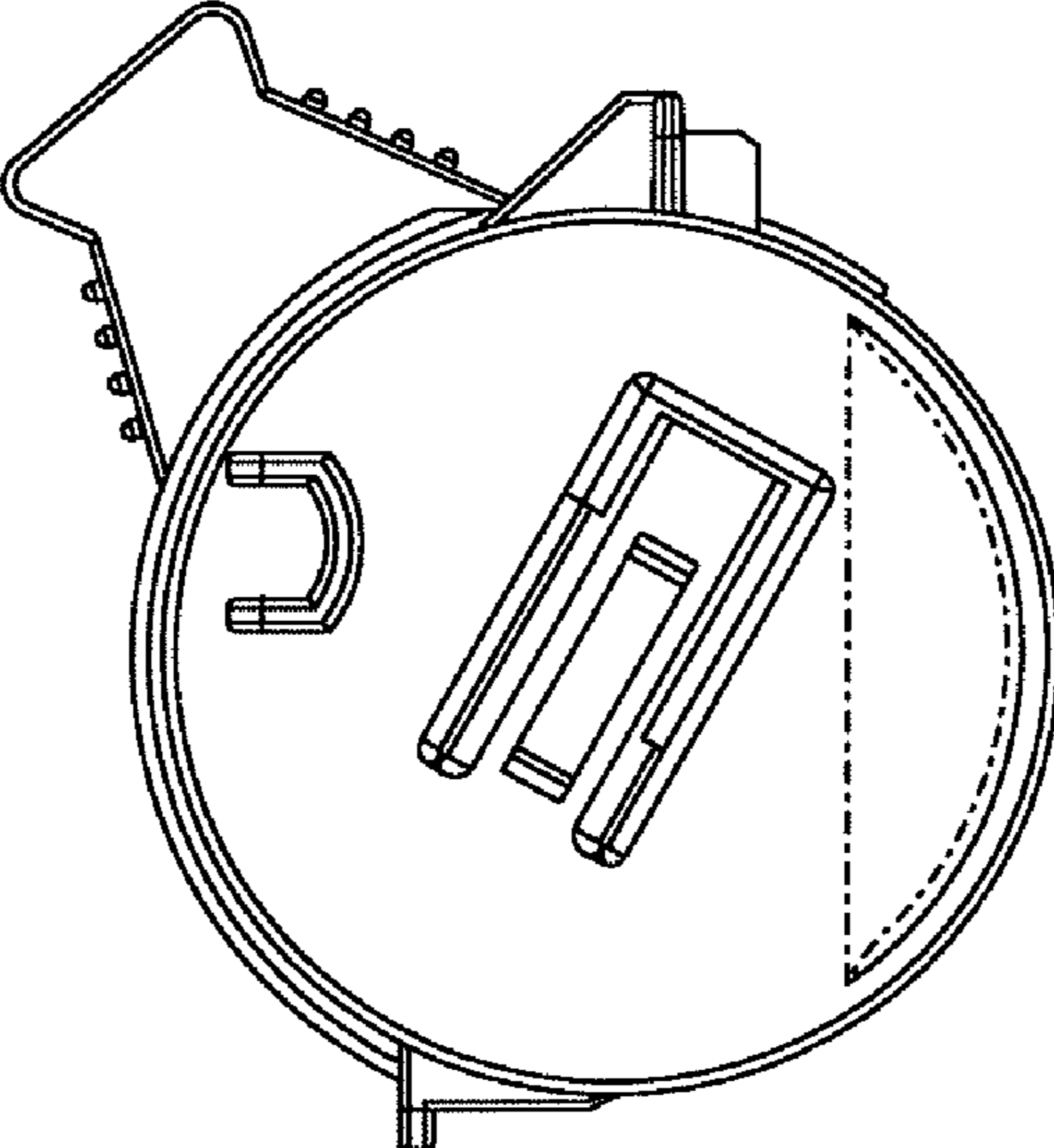


FIG. 3

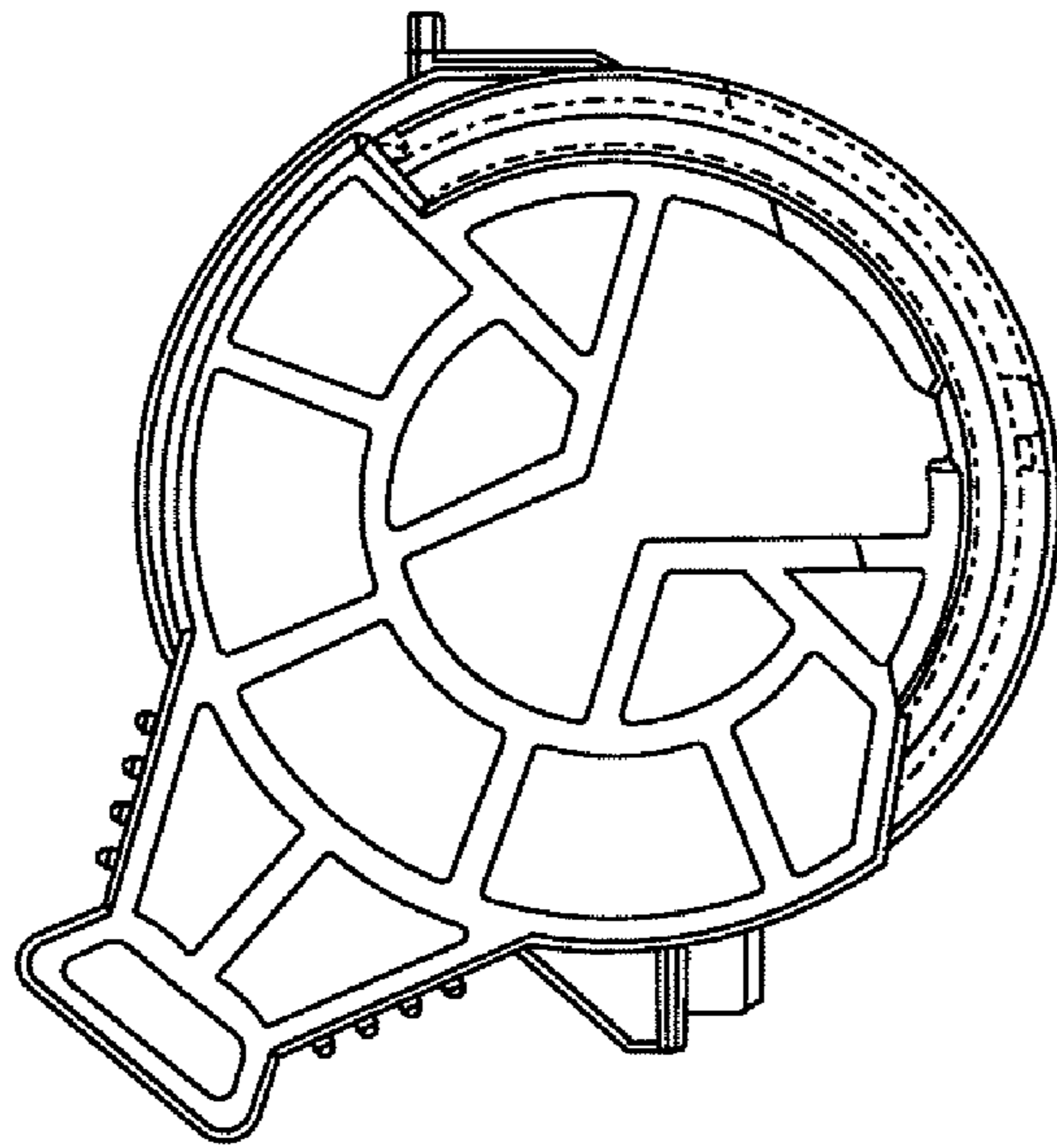


FIG. 4

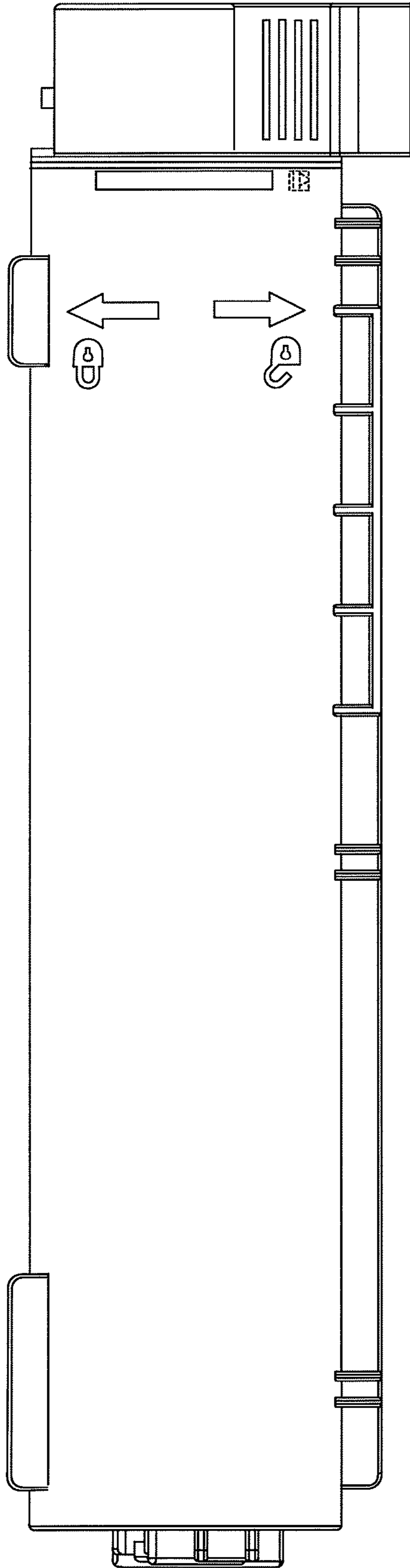


FIG. 5



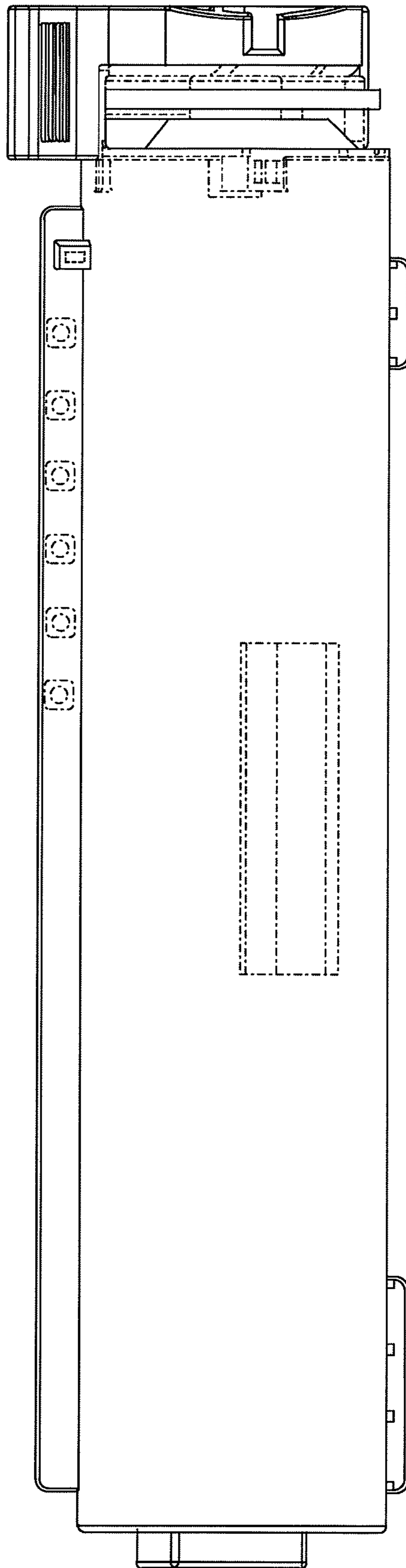


FIG. 6

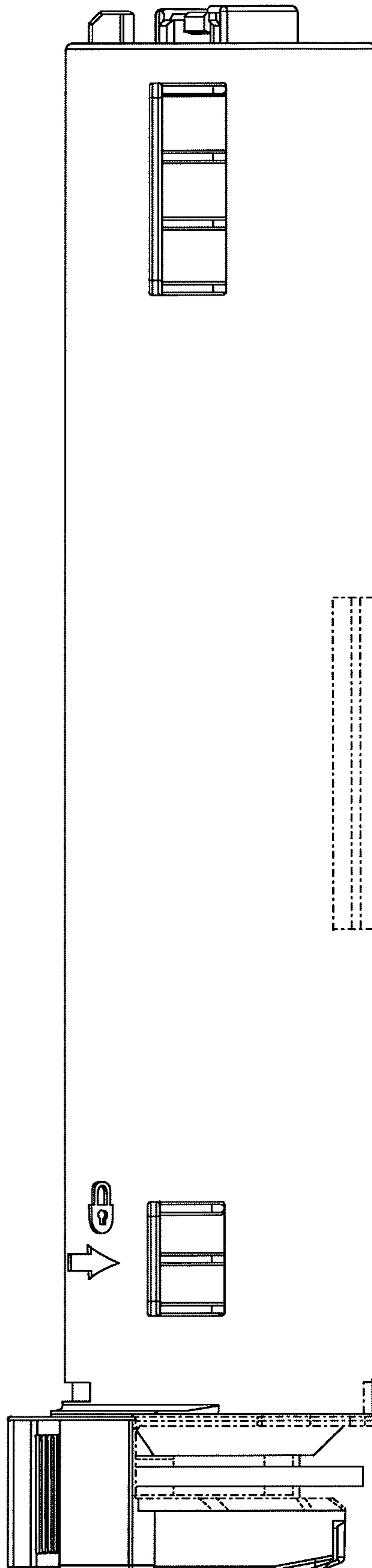


FIG. 7