



US00D674004S

(12) **United States Design Patent**
Shimomura et al.

(10) **Patent No.:** **US D674,004 S**
(45) **Date of Patent:** **** Jan. 8, 2013**

(54) **TONER CARTRIDGE**

(75) Inventors: **Tatsuhiko Shimomura**, Tokyo (JP);
Osamu Teramura, Tokyo (JP); **Junichi Ushikubo**, Tokyo (JP)

(73) Assignee: **Oki Data Corporation**, Tokyo (JP)

(**) Term: **14 Years**

(21) Appl. No.: **29/361,740**

(22) Filed: **May 14, 2010**

(30) **Foreign Application Priority Data**

Apr. 30, 2010 (JP) 2010-10895

(51) **LOC (9) Cl.** **16-03**

(52) **U.S. Cl.** **D18/43**

(58) **Field of Classification Search** D14/471;
D18/12, 36, 40, 43, 44, 56; 222/DIG. 1;
347/197, 222; 399/24-28, 107-112, 119,
399/121, 122, 222-224

See application file for complete search history.

(56) **References Cited**

U.S. PATENT DOCUMENTS

D448,795 S * 10/2001 Kusanagi et al. D18/43
6,324,371 B1 * 11/2001 Okiyama et al. 399/106

D459,388 S * 6/2002 Irie et al. D18/43
D468,345 S * 1/2003 Tanaka et al. D18/43
D469,119 S * 1/2003 Shiba D18/43
D491,602 S * 6/2004 Koyama et al. D18/43
D546,873 S * 7/2007 Otani et al. D18/43
D552,164 S * 10/2007 Kouroku et al. D18/43
D573,631 S * 7/2008 Oda et al. D18/43

* cited by examiner

Primary Examiner — Garth Rademaker

(74) *Attorney, Agent, or Firm* — Ladas & Parry LLP

(57) **CLAIM**

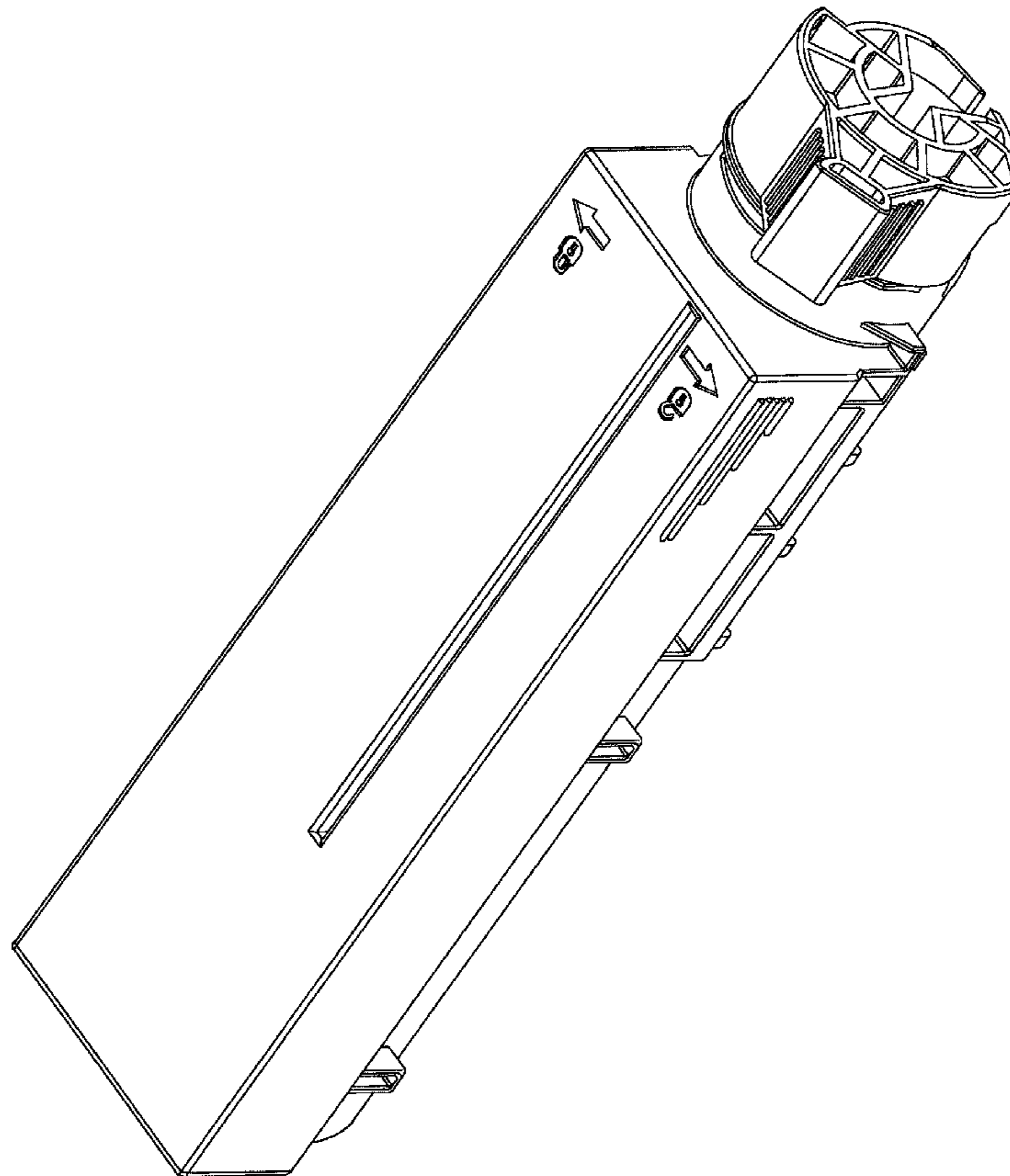
The ornamental design for a toner cartridge, as shown and described.

DESCRIPTION

FIG. 1 is a front, top and right side perspective view of a toner cartridge of our design;
FIG. 2 is a front view thereof;
FIG. 3 is a right side view thereof;
FIG. 4 is a left side view thereof;
FIG. 5 is a top view thereof;
FIG. 6 is a bottom view thereof; and,
FIG. 7 is a rear view thereof.

The broken lines depict portions of the toner cartridge which form no part of the claimed design.

1 Claim, 7 Drawing Sheets



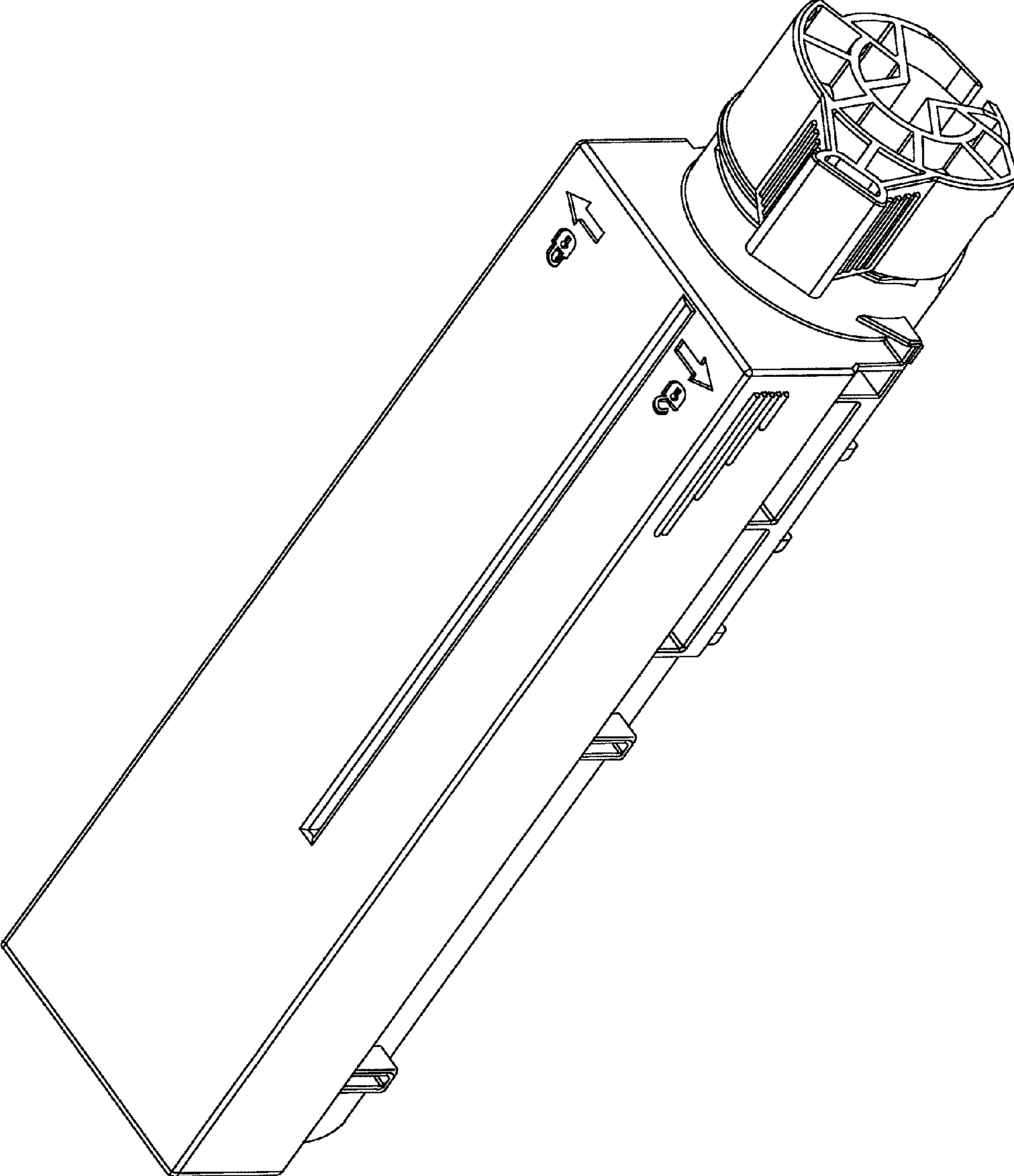


FIG. 1

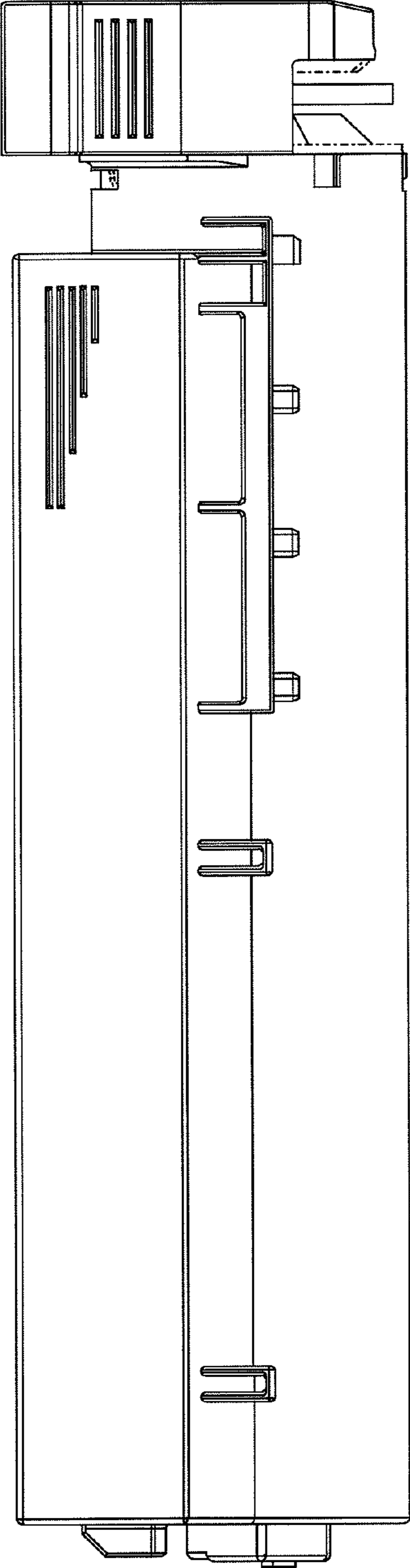


FIG. 2

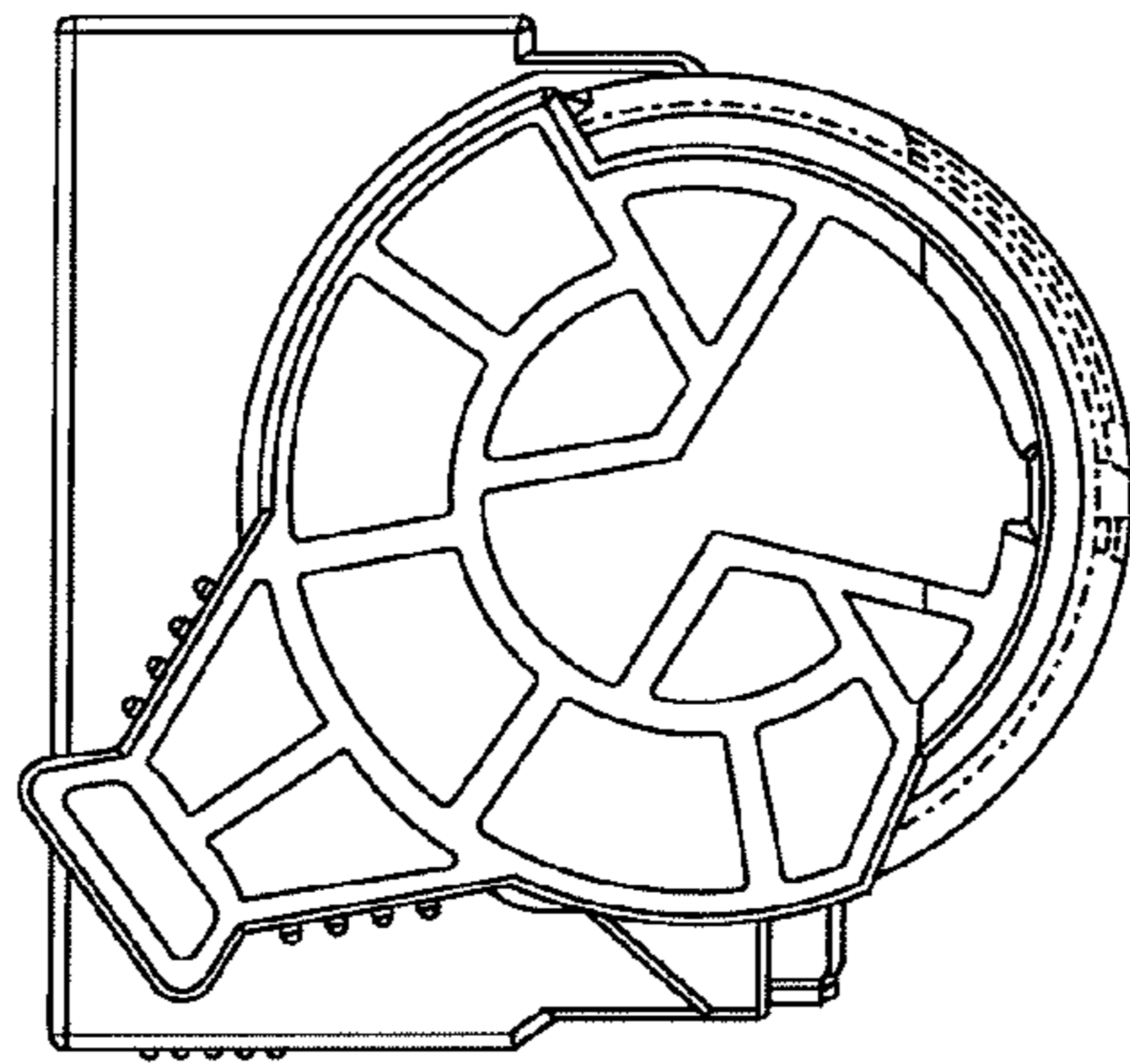


FIG. 3

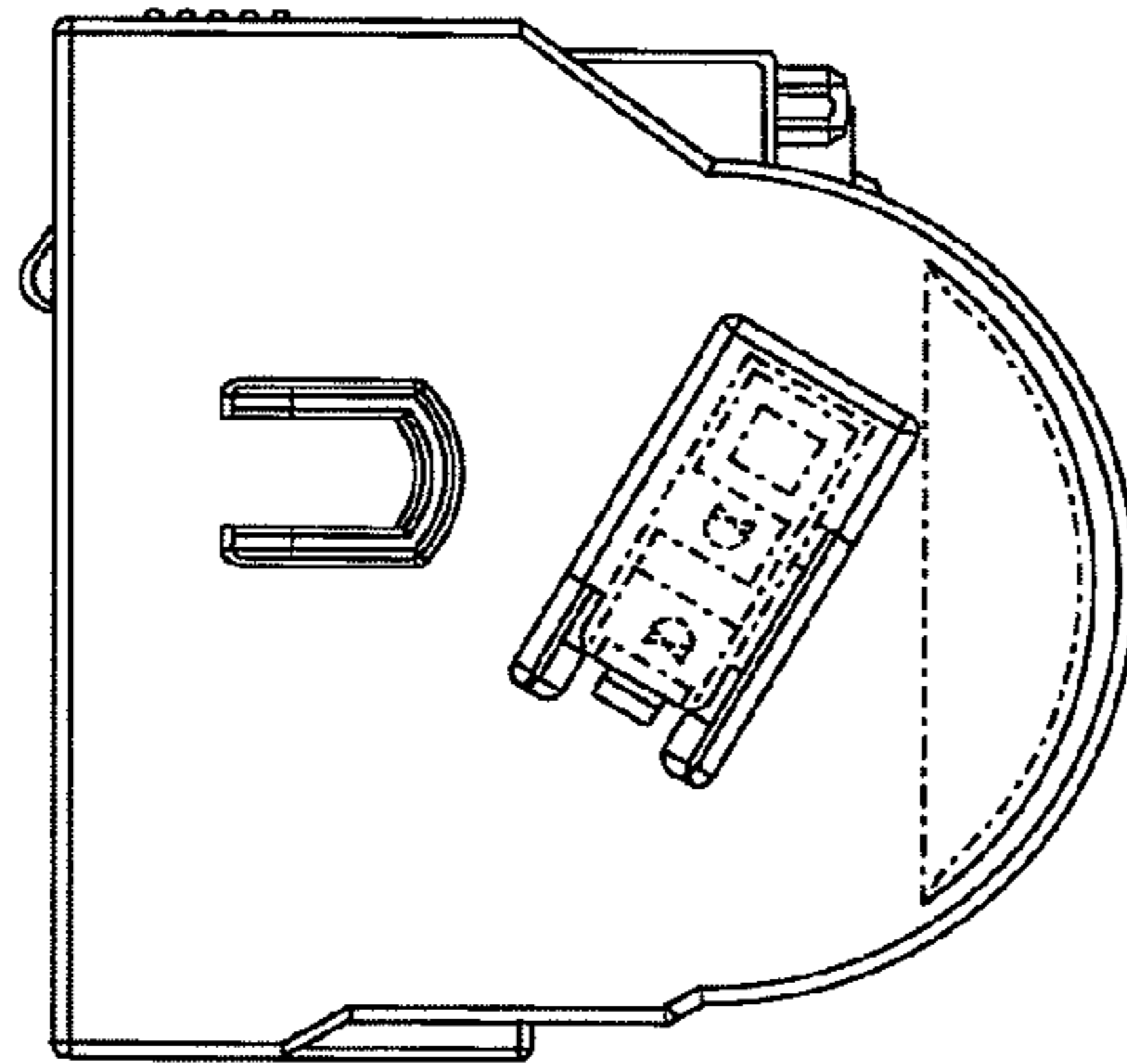


FIG. 4

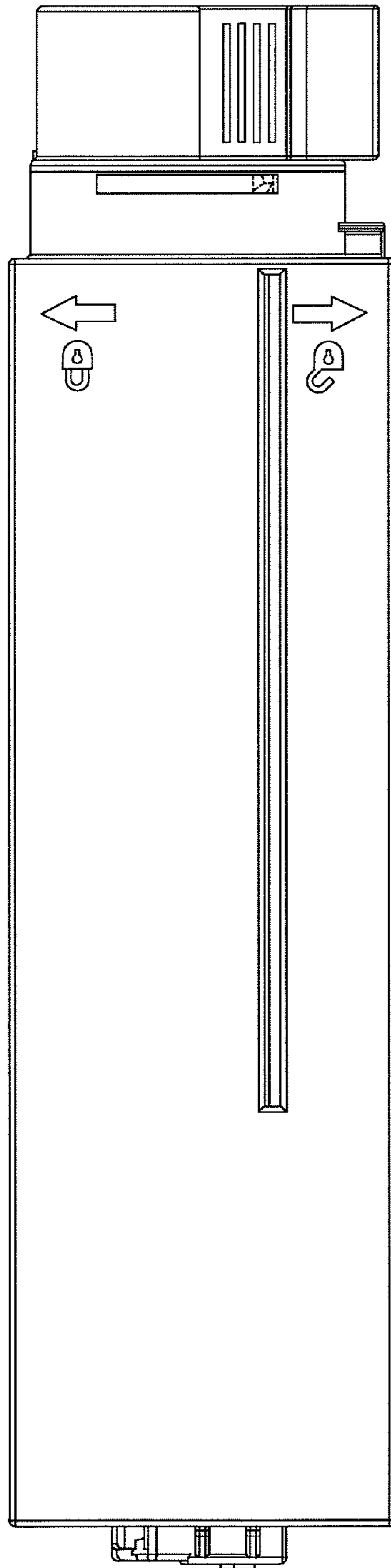


FIG. 5

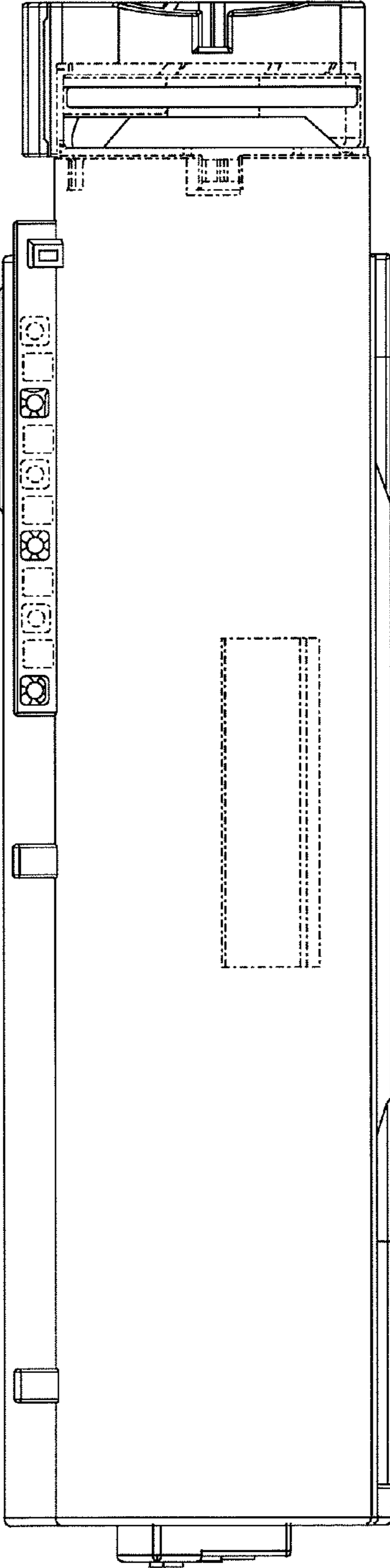


FIG. 6

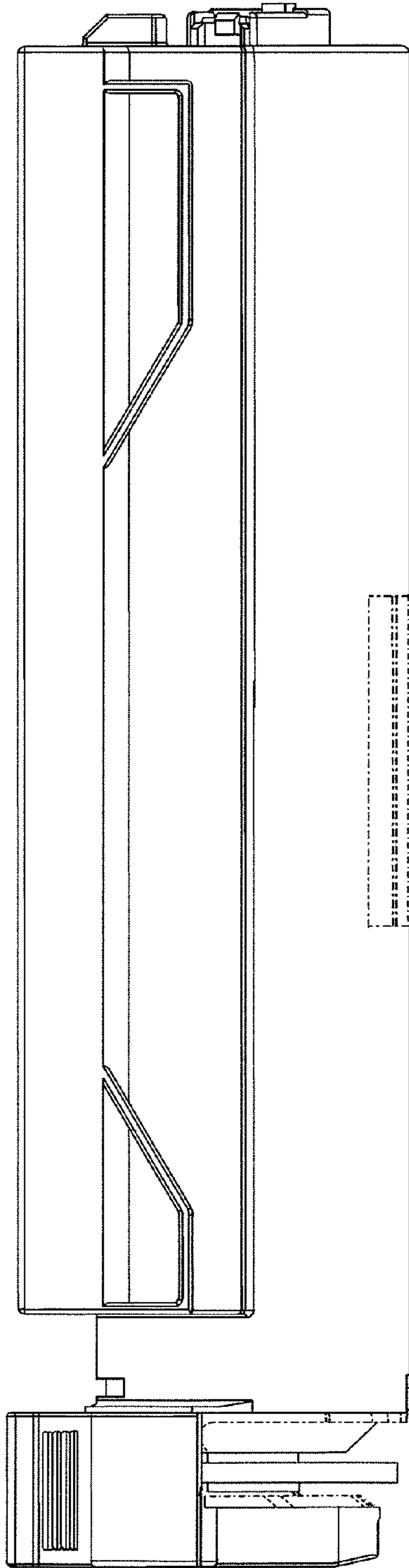


FIG. 7