



US00D674003S

(12) **United States Design Patent**
Nozawa et al.

(10) **Patent No.:** **US D674,003 S**
(45) **Date of Patent:** **** Jan. 8, 2013**

(54) **TONER CARTRIDGE**

(75) Inventors: **Ken Nozawa**, Tokyo (JP); **Yukiyoshi Oda**, Tokyo (JP); **Atsushi Ohta**, Tokyo (JP)

(73) Assignee: **Oki Data Corporation**, Tokyo (JP)

(**) Term: **14 Years**

(21) Appl. No.: **29/361,746**

(22) Filed: **May 14, 2010**

(30) **Foreign Application Priority Data**

Apr. 30, 2010 (JP) 2010-10905

(51) **LOC (9) Cl.** **16-03**

(52) **U.S. Cl.** **D18/40**

(58) **Field of Classification Search** D14/471;
D18/12, 36, 40, 43, 44, 56; 222/DIG. 1;
347/197, 222; 399/24-28, 107-112, 119,
399/121, 122, 222-224

See application file for complete search history.

(56) **References Cited**

U.S. PATENT DOCUMENTS

D458,299 S * 6/2002 Koizumi et al. D18/40
D489,752 S * 5/2004 Yamaguchi et al. D18/40

D518,851 S * 4/2006 Awano et al. D18/40
D579,970 S * 11/2008 Kamimura et al. D18/40
2010/0189469 A1 * 7/2010 Nozawa et al. 399/254
2010/0247160 A1 * 9/2010 Ohta et al. 399/262
2010/0266312 A1 * 10/2010 Okabe 399/111
2011/0052254 A1 * 3/2011 Hashimoto 399/110
2011/0085822 A1 * 4/2011 Ishii 399/111
2011/0097109 A1 * 4/2011 Igarashi et al. 399/119

* cited by examiner

Primary Examiner — Garth Rademaker

(74) *Attorney, Agent, or Firm* — Ladas & Parry LLP

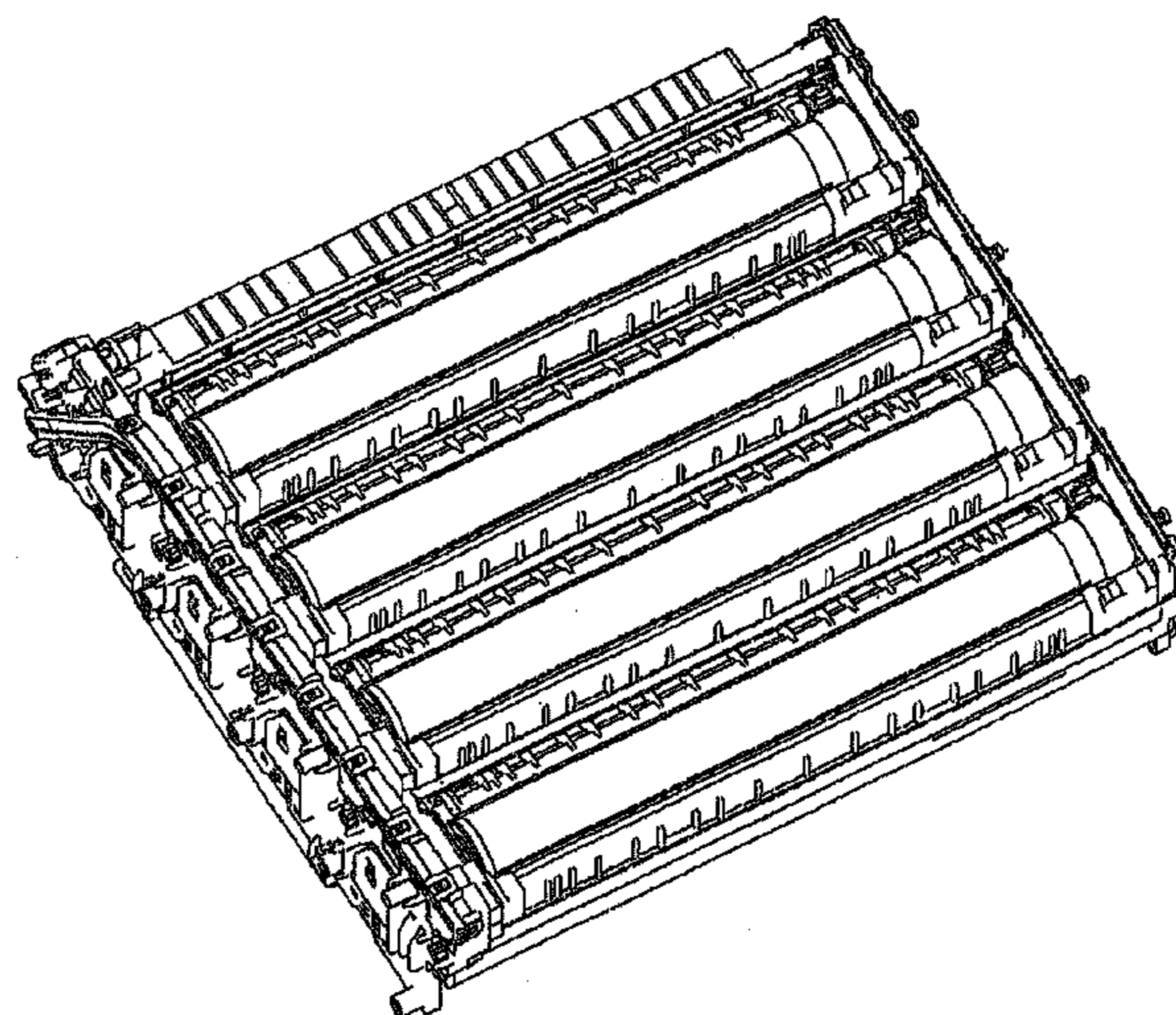
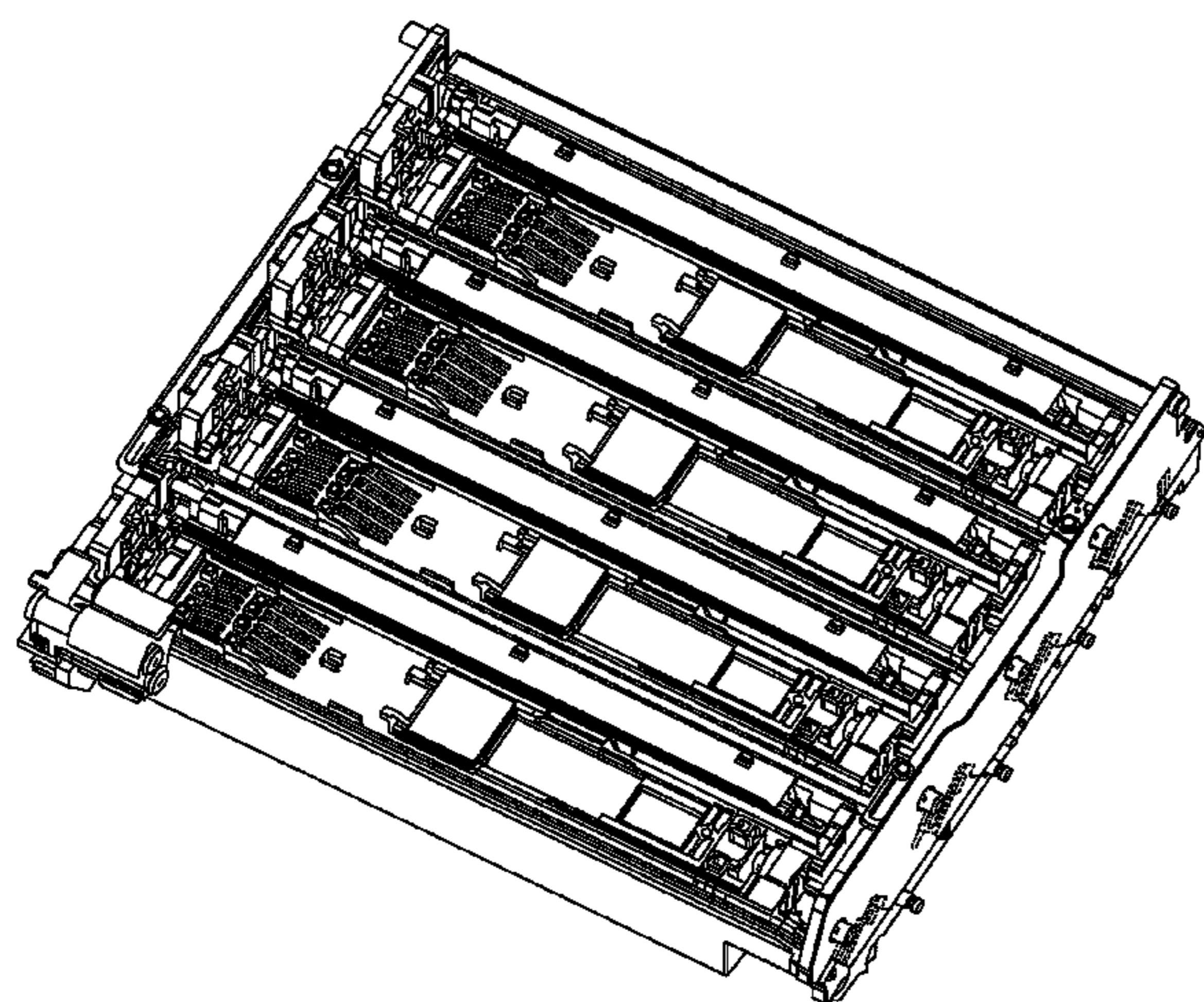
(57) **CLAIM**

We claim the ornamental design for a toner cartridge, as shown and described.

DESCRIPTION

FIG. 1 is a front view of a toner cartridge of our design;
FIG. 2 is a left side view thereof;
FIG. 3 is a right side view thereof;
FIG. 4 is a rear view thereof;
FIG. 5 is a top view thereof;
FIG. 6 is a bottom view thereof;
FIG. 7 is a top perspective view thereof; and,
FIG. 8 is a bottom perspective view thereof.
The broken lines depict environment subject matter only and form no part of the claimed design.

1 Claim, 8 Drawing Sheets



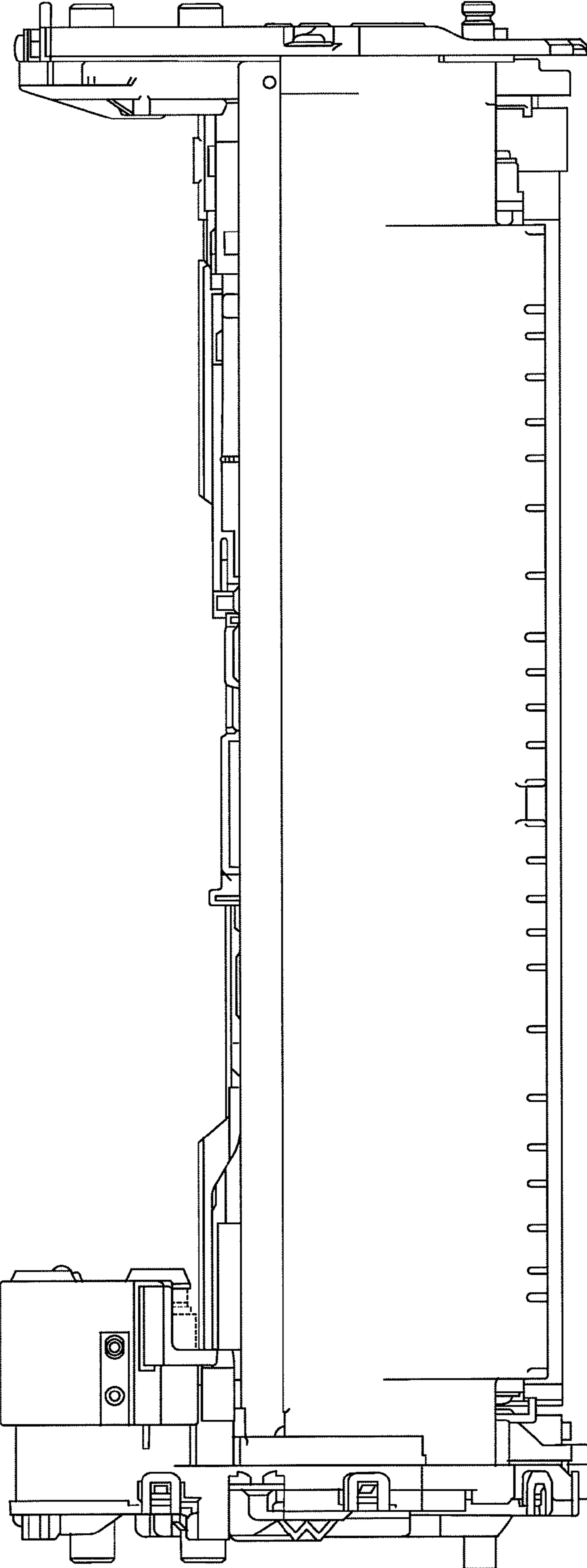


FIG. 1

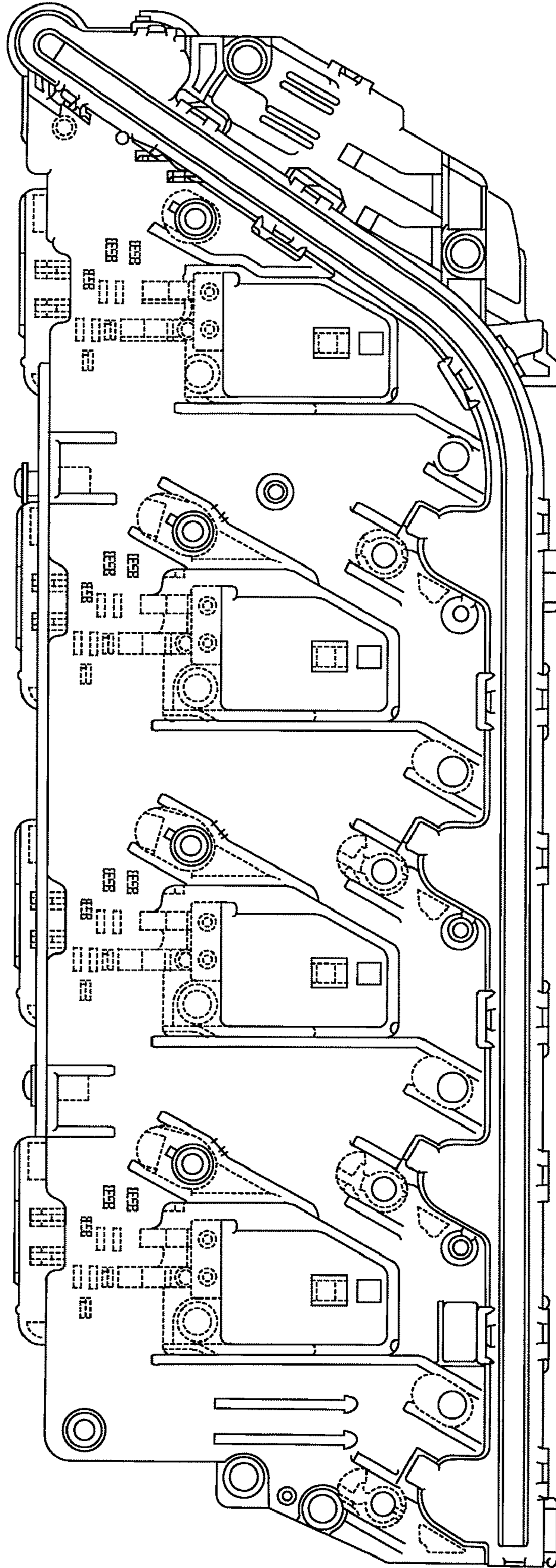


FIG. 2

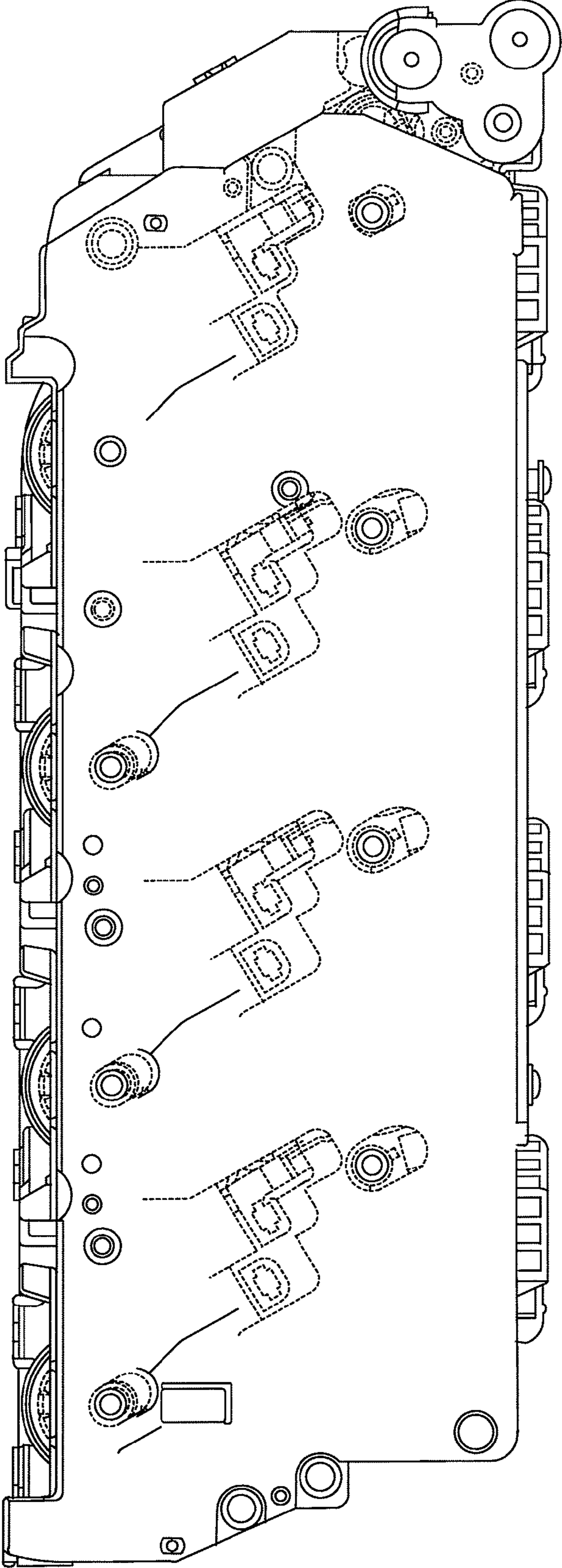


FIG. 3

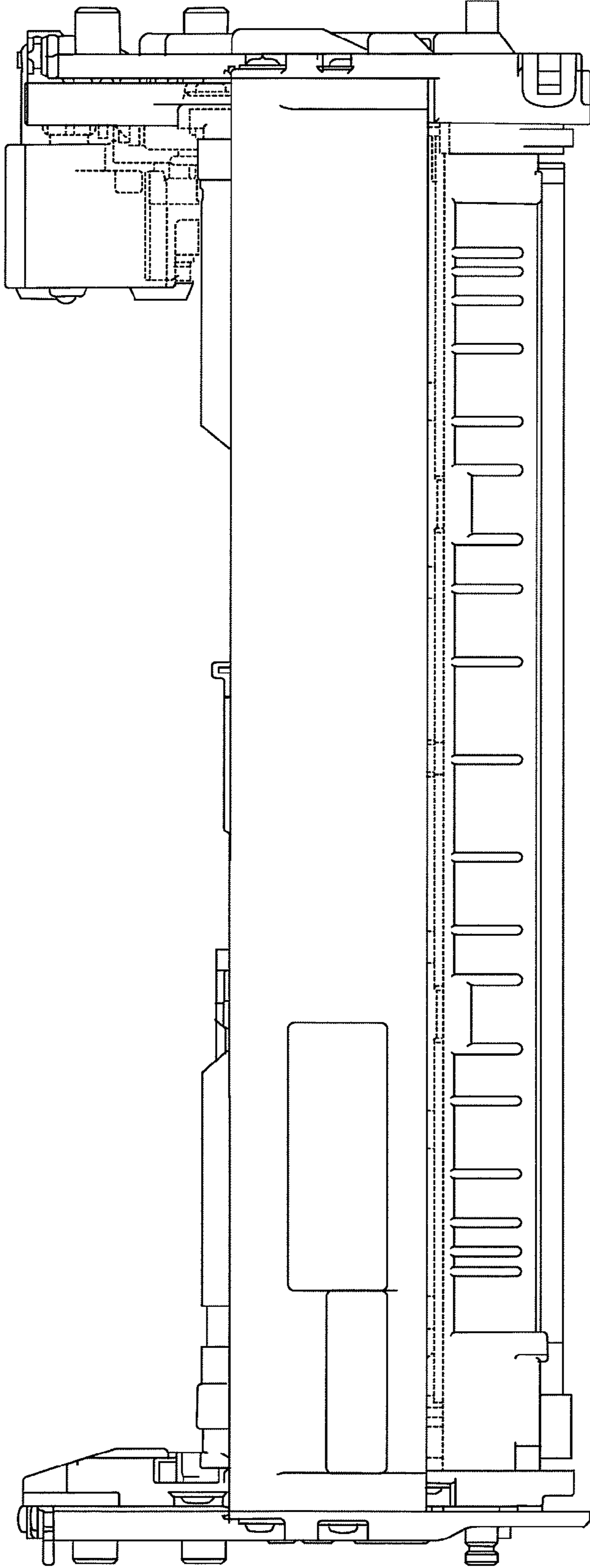


FIG. 4

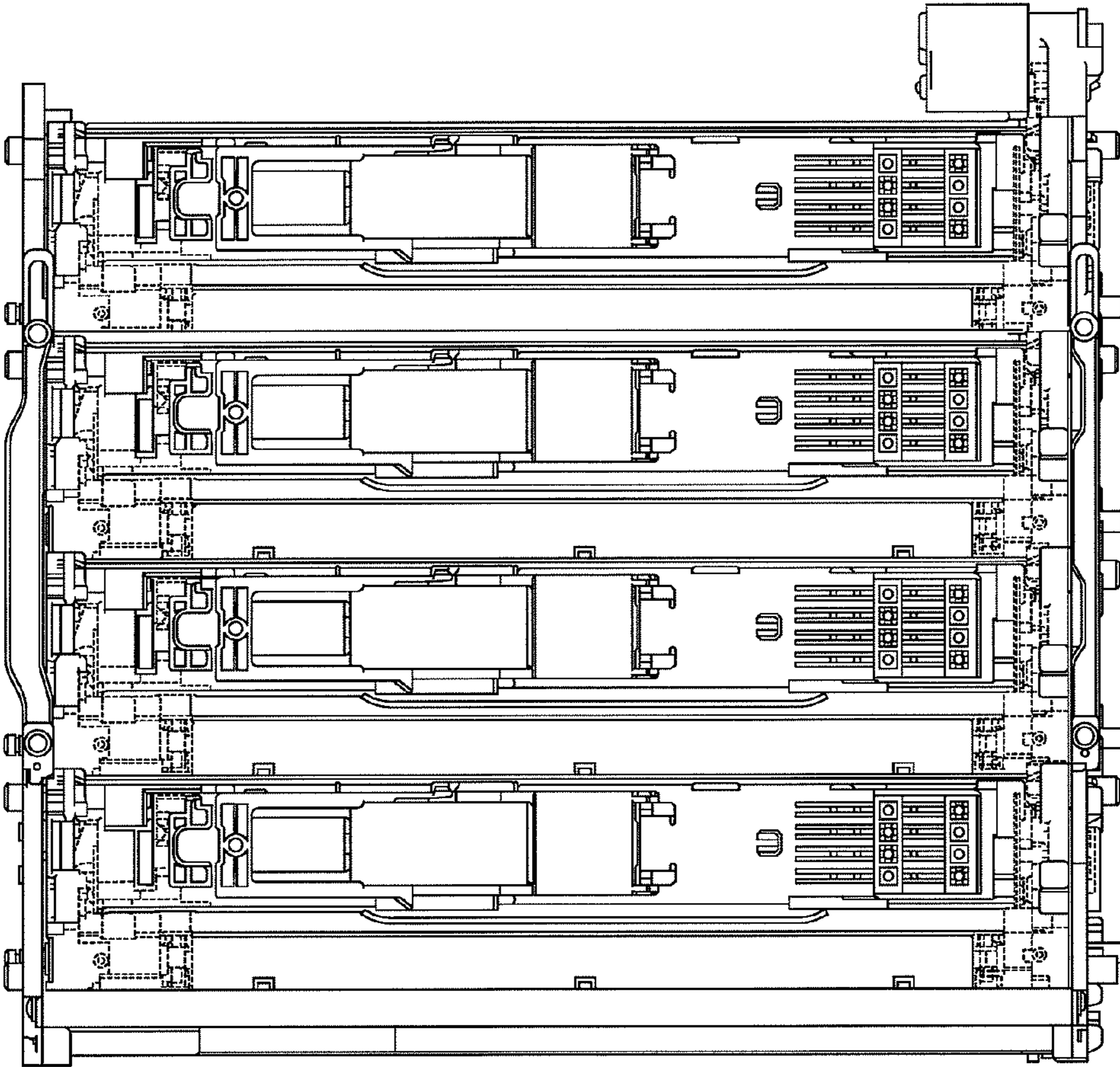


FIG. 5

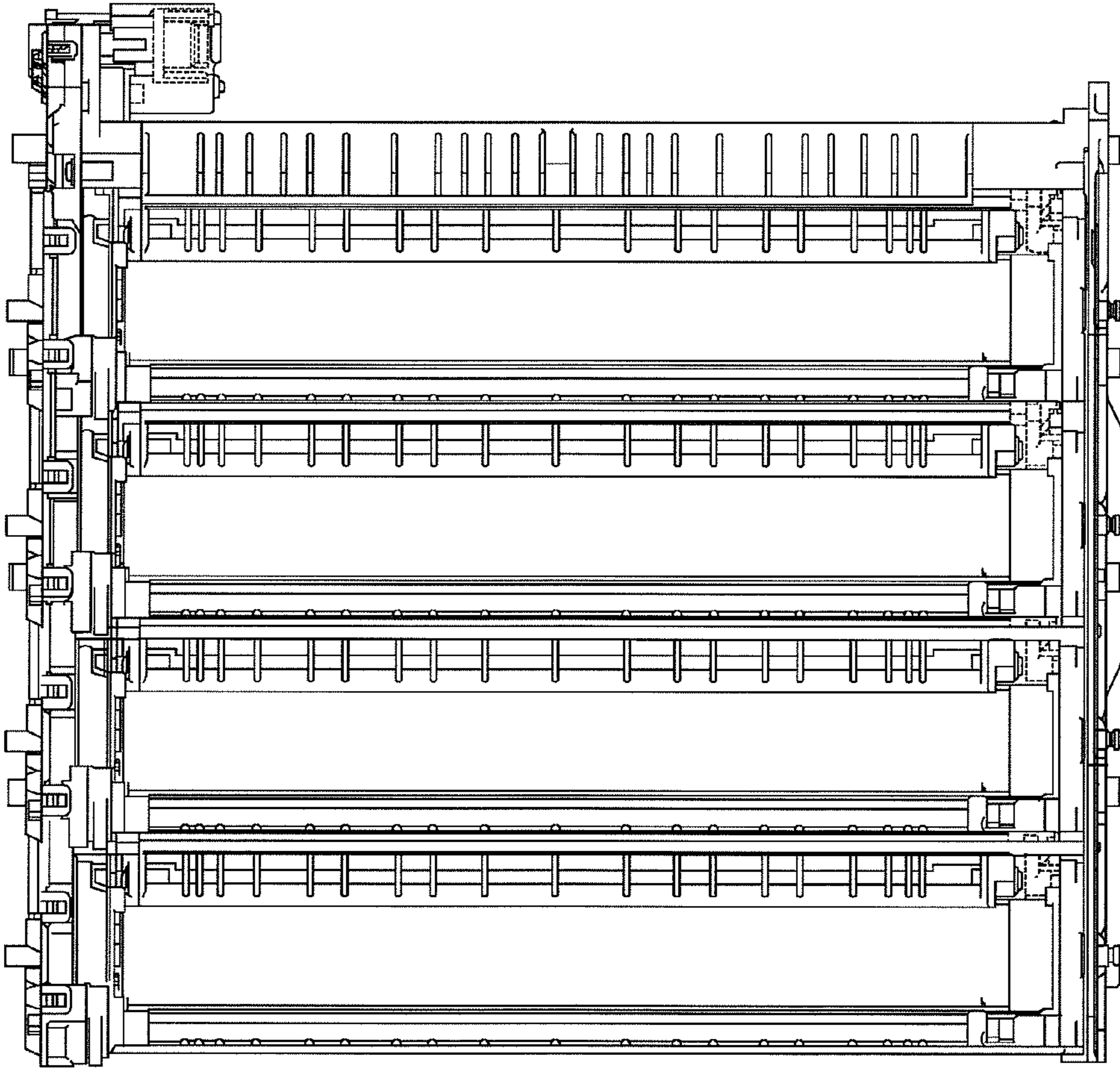


FIG. 6

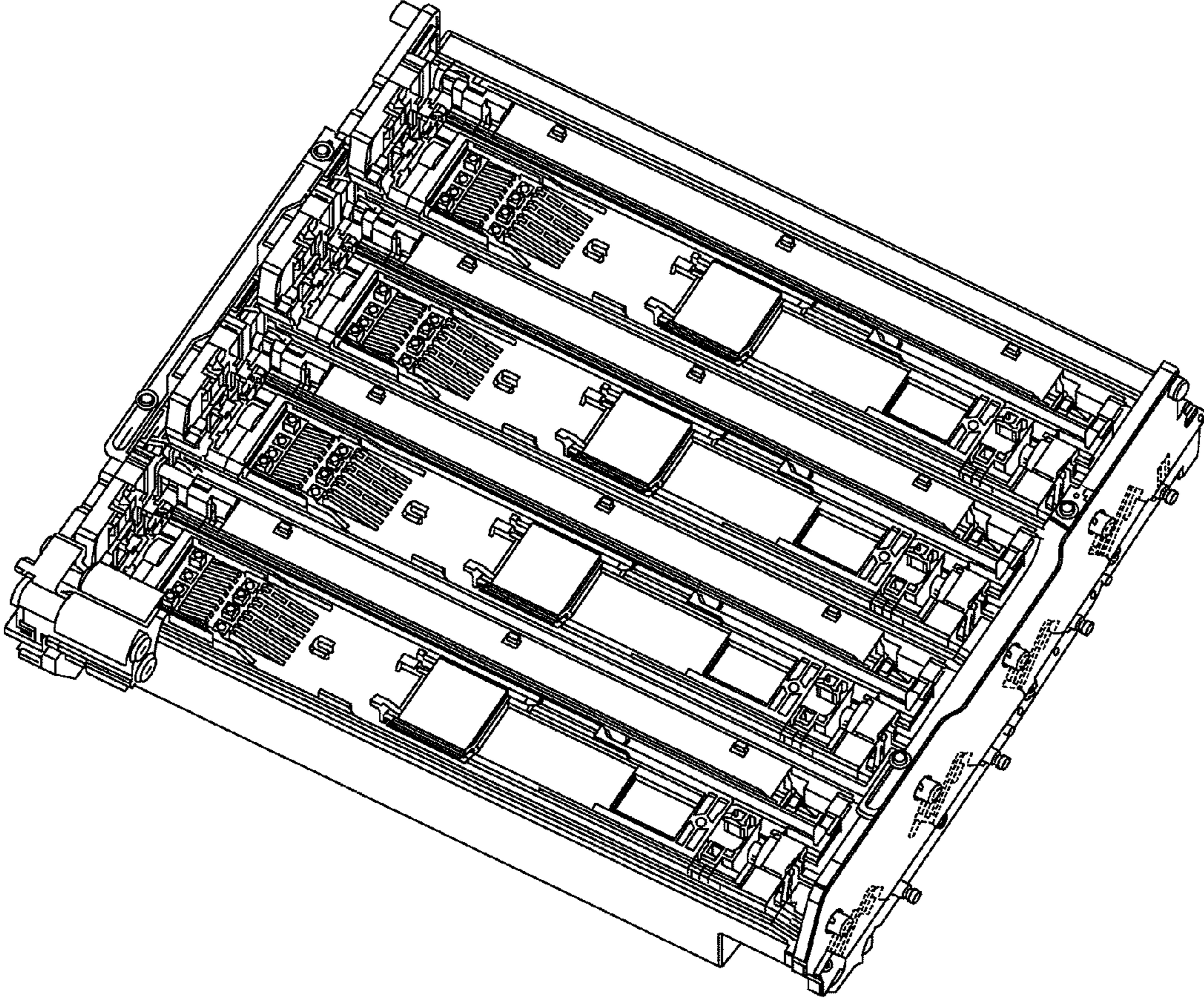


FIG. 7

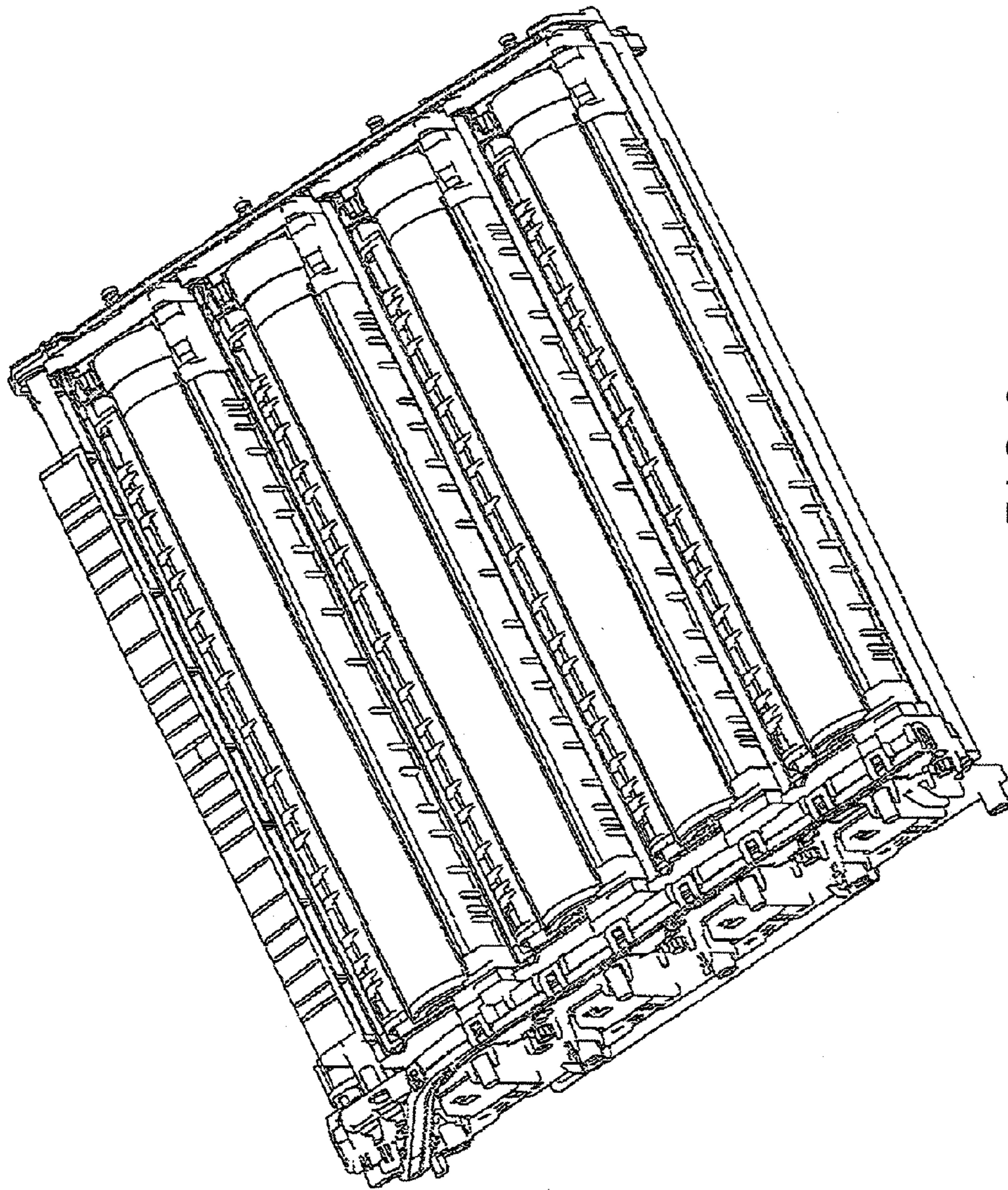


FIG. 8

UNITED STATES PATENT AND TRADEMARK OFFICE
CERTIFICATE OF CORRECTION

PATENT NO. : D674,003 S
APPLICATION NO. : 29/361746
DATED : January 8, 2013
INVENTOR(S) : Ken Nozawa, Yukiyoishi Oda and Atsushi Ohta

Page 1 of 1

It is certified that error appears in the above-identified patent and that said Letters Patent is hereby corrected as shown below:

Title Page (54): Kindly replace "TONER CARTRIDGE" with --IMAGE DRUM CARTRIDGE--.

Signed and Sealed this
Thirtieth Day of April, 2013



Teresa Stanek Rea
Acting Director of the United States Patent and Trademark Office