



US00D674002S

(12) **United States Design Patent**
Ginter

(10) **Patent No.:** **US D674,002 S**

(45) **Date of Patent:** **** Jan. 8, 2013**

(54) **DRUM KEY**

(76) Inventor: **Jason Ginter**, San Diego, CA (US)

(**) Term: **14 Years**

(21) Appl. No.: **29/405,987**

(22) Filed: **Nov. 8, 2011**

(51) **LOC (9) Cl.** **17-04**

(52) **U.S. Cl.** **D17/22; D8/34**

(58) **Field of Classification Search** D17/22,
D17/99; 84/413, 453, 458; D8/14, 21, 29,
D8/33, 34, 40, 43; 81/121.1, 124.7, 177.1,
81/177.2

See application file for complete search history.

(56) **References Cited**

U.S. PATENT DOCUMENTS

3,427,917	A *	2/1969	Thompson	84/419
D269,622	S *	7/1983	Hardy	D17/22
D296,650	S *	7/1988	Marx	D8/14
D320,805	S *	10/1991	Sassmannshausen et al.	..	D17/22
D346,100	S *	4/1994	Behrenfeld	D8/21
D366,996	S *	2/1996	Torres	D8/29
D404,986	S *	2/1999	Mahon	D8/21
D407,895	S *	4/1999	Staley	D3/207
D504,288	S *	4/2005	Kushner	D8/34
D581,756	S *	12/2008	Koski	D8/33

* cited by examiner

Primary Examiner — Stella Reid

Assistant Examiner — Carissa C Fitts

(74) *Attorney, Agent, or Firm* — John K. Buche; Buche & Associates, P.C.

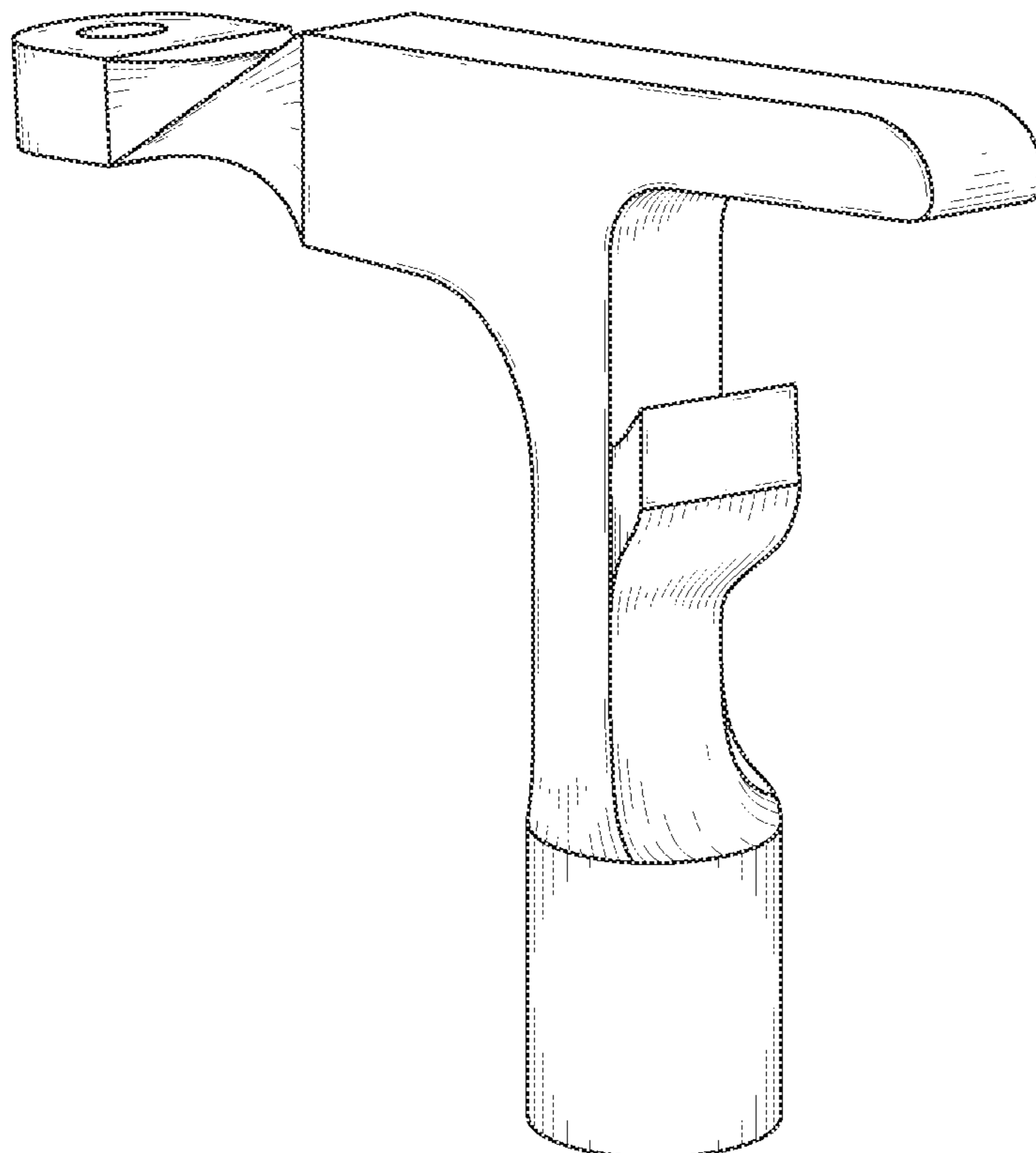
(57) **CLAIM**

The ornamental design for a drum key, as shown and described.

DESCRIPTION

FIG. 1 is a perspective view of a drum key.
 FIG. 2 is a top view of the drum key of FIG. 1.
 FIG. 3 is a bottom view of the drum key of FIG. 1.
 FIG. 4 is a left side view of the drum key of FIG. 1.
 FIG. 5 is a right side view of the drum key of FIG. 1.
 FIG. 6 is a rear view of the drum key of FIG. 1;
 FIG. 7 is a front view of the drum key of FIG. 1; and,
 FIG. 8 is an environmental view of the drum key of FIG. 1 being used to open a bottle.
 The broken lines shown in FIG. 3 represent unclaimed details while broken lines shown in FIG. 8 are for environmental purposes only; the broken lines form no part of the claimed design.

1 Claim, 3 Drawing Sheets



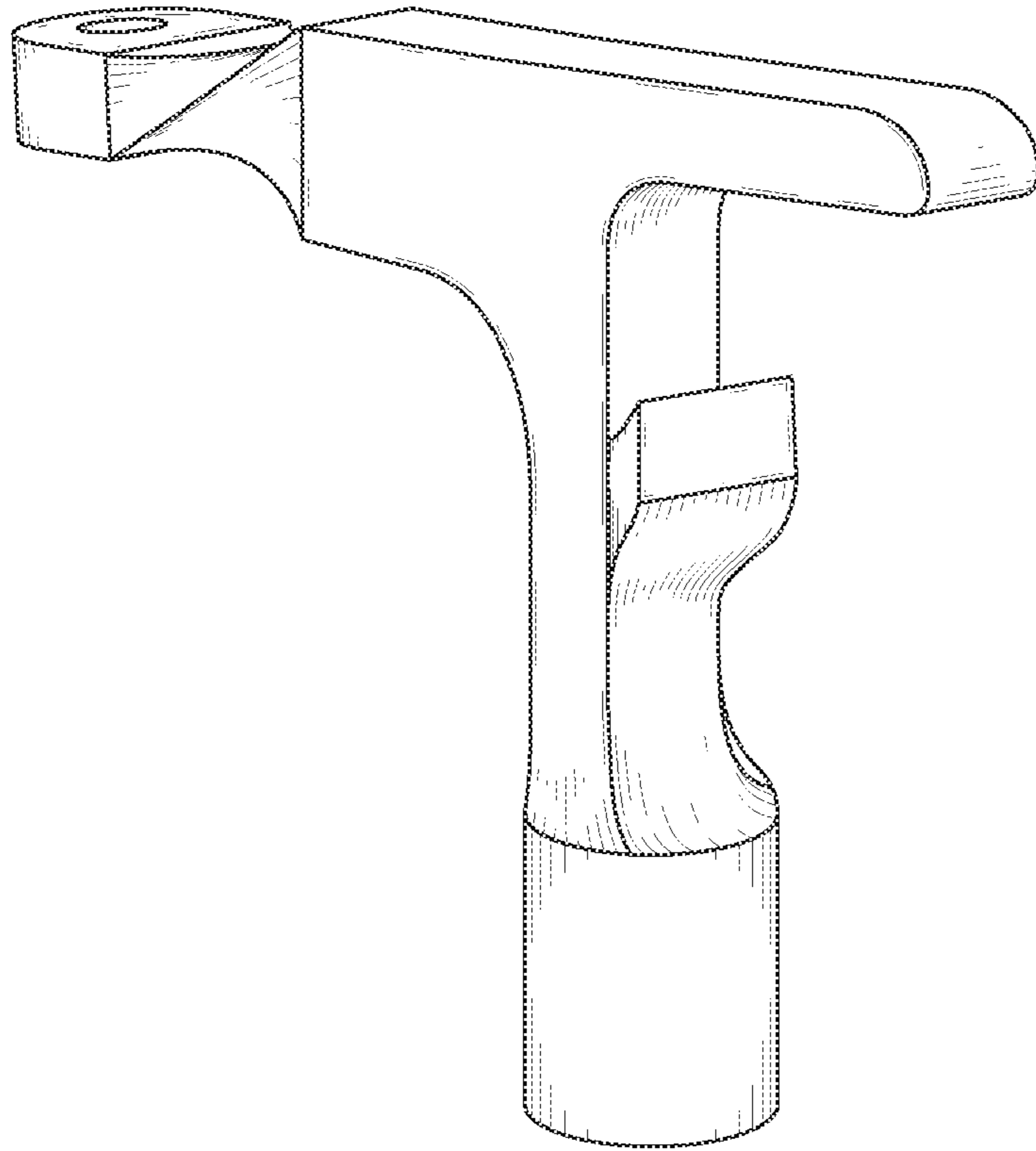


FIG. 1

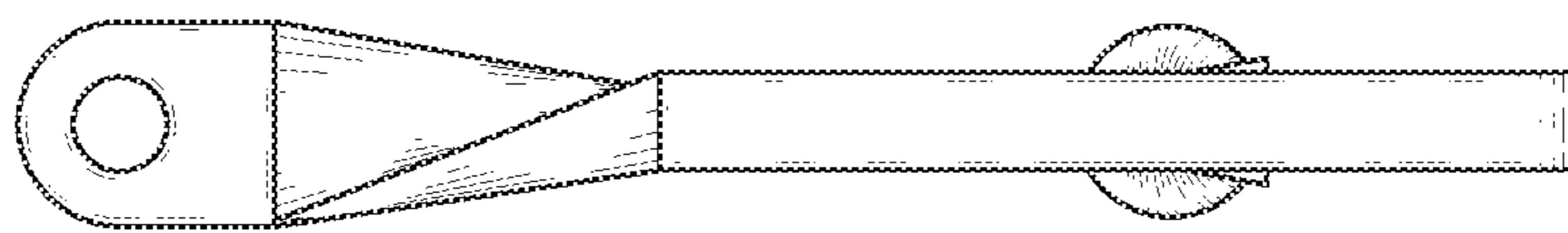


FIG. 2

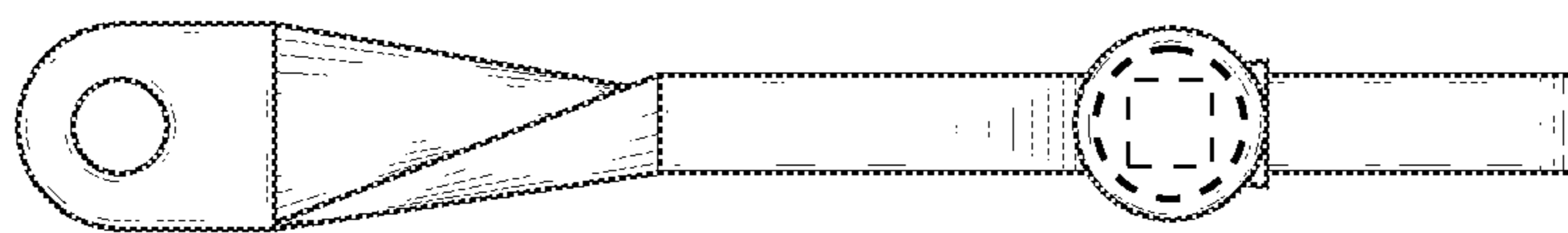


FIG. 3

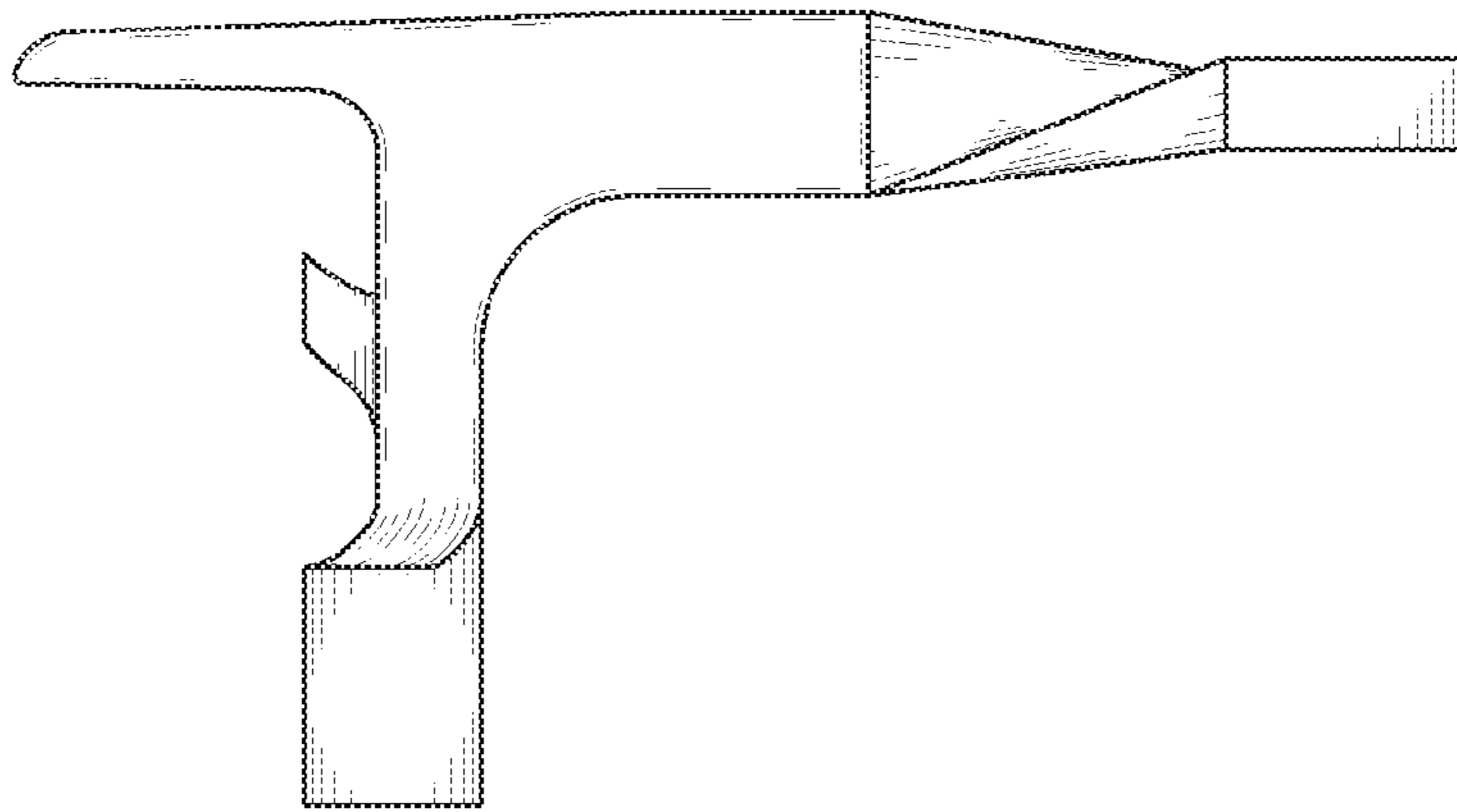


FIG. 4

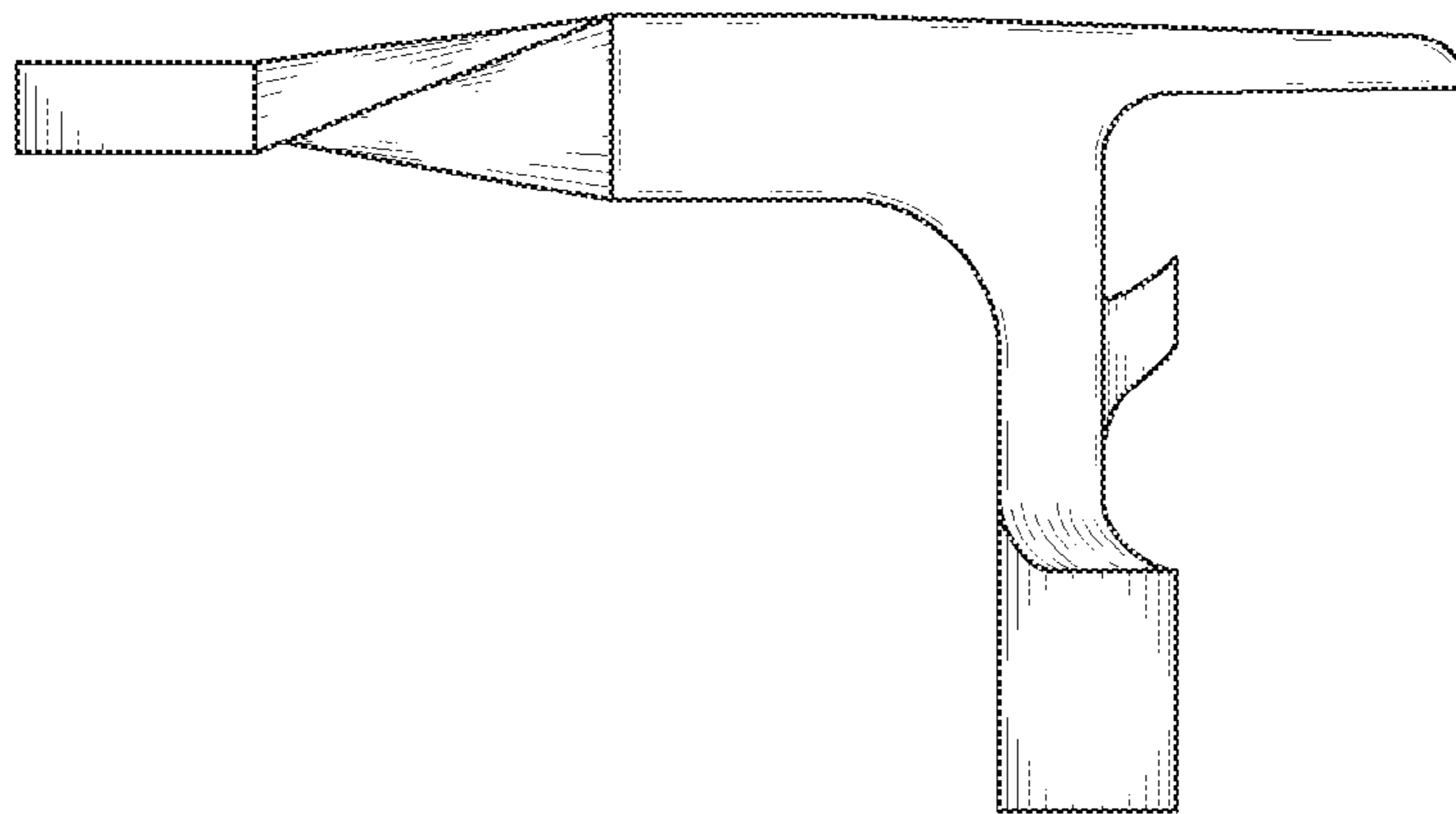


FIG. 5

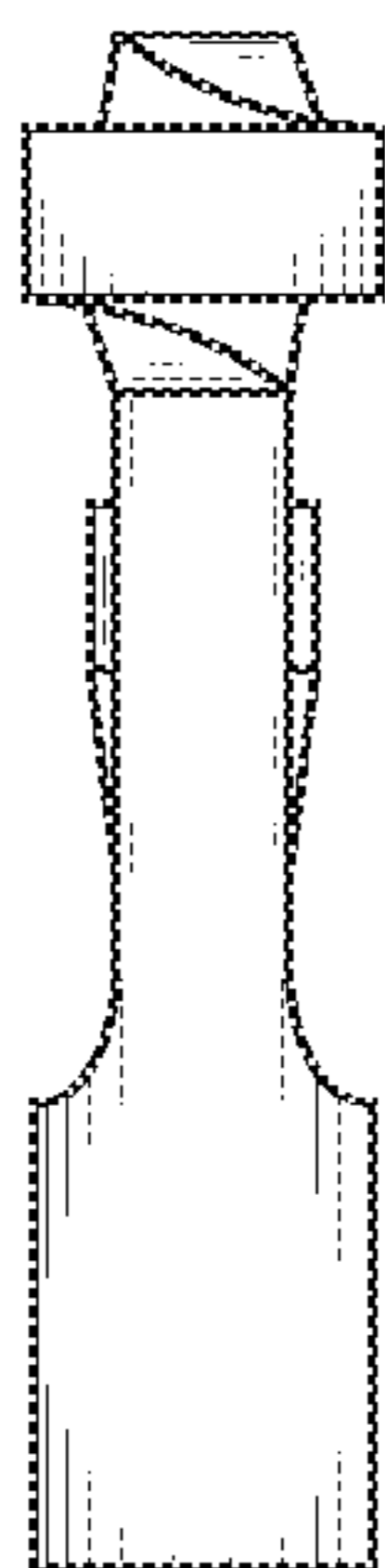


FIG. 6

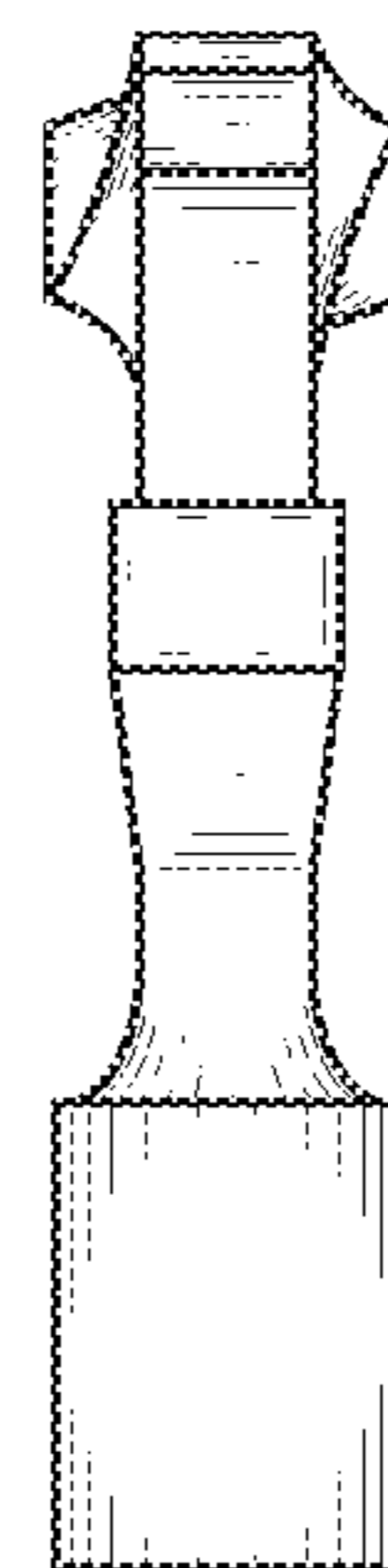


FIG. 7

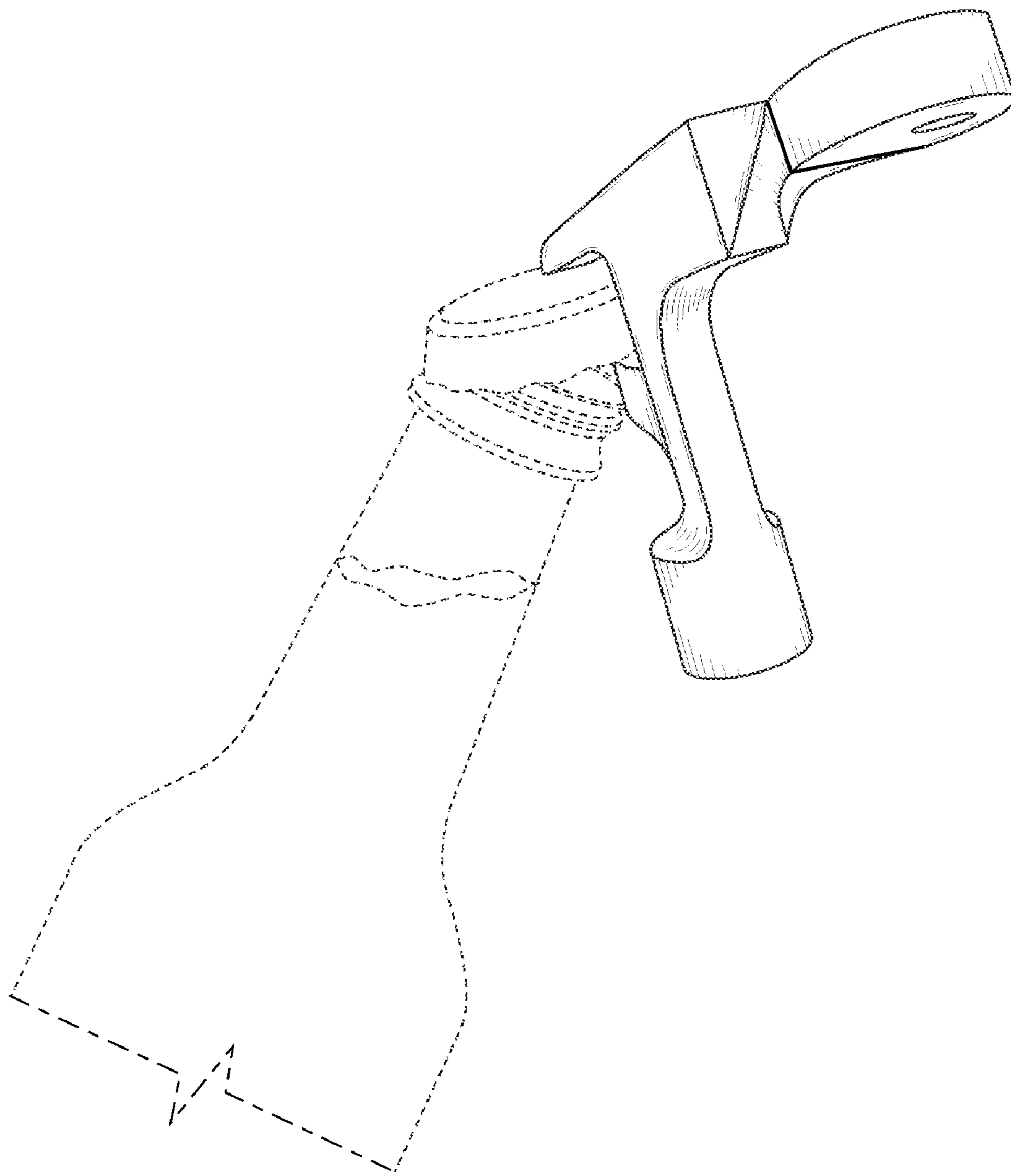


FIG. 8