



US00D673997S

(12) **United States Design Patent**
Rohrbach

(10) **Patent No.:** **US D673,997 S**
(45) **Date of Patent:** **** Jan. 8, 2013**

(54) **EYEGLASS ACCESSORY**

(75) Inventor: **Tobin A. Rohrbach**, Camarillo, CA (US)

(73) Assignee: **Oakley, Inc.**, Foothill Ranch, CA (US)

(**) Term: **14 Years**

(21) Appl. No.: **29/423,440**

(22) Filed: **May 31, 2012**

(51) **LOC (9) Cl.** **16-06**

(52) **U.S. Cl.** **D16/339; D16/330**

(58) **Field of Classification Search** D16/101,
D16/300-342, 900; D29/109-110; D24/110.2;
351/41, 44, 51-52, 62, 158, 92, 103-123,
351/140, 153, 45-46; 2/426-432, 447-449,
2/441, 434-437, 13, 15; D21/483, 659-661;
D14/372

See application file for complete search history.

(56) **References Cited**

U.S. PATENT DOCUMENTS

D355,358 S *	2/1995	Starr et al.	D16/339
D456,870 S *	5/2002	Suissa	D21/804
D474,226 S *	5/2003	Gallaway et al.	D16/339
D576,199 S *	9/2008	Mosley et al.	D16/339
D607,919 S *	1/2010	Williams	D16/339
D619,637 S *	7/2010	Vanne	D16/339
7,845,795 B2 *	12/2010	Williams	351/156
D642,211 S *	7/2011	Bilton	D16/339

OTHER PUBLICATIONS

Overton's, www.overtons.com, Fisherman eyewear guideline retaining cord and Costa Del Mar neoprene sunglasses retainer models, unknown publication date, printed on Aug. 28, 2012.

Croakies, <http://store.croakies.com/>, Croakies Floater, Stealth Floater, Croakies Floater Extreme, Lycra Suiter Floater, Terra MIDDI Floater, Terra Floater, and Terra Extreme Floater retainer models, unknown publication date, printed on Aug. 28, 2012.

Chums, www.chums.com, Neoprene, Glassfloat, Floating Neo, Neo Megafloat, Universal Fit Glassfloat, Halfpipe, Cool Dry, and Hurricane floating and water retainer models, unknown publication date, printed on Aug. 28, 2012.

Hides, www.hides.com, Classic, H2O, and SportGrip retainer models, unknown publication date, printed on Aug. 28, 2012.

* cited by examiner

Primary Examiner — Raphael Barkai

(74) *Attorney, Agent, or Firm* — Knobbe Martens Olson & Bear, LLP

(57) **CLAIM**

The ornamental design for an eyeglass accessory, as shown and described.

DESCRIPTION

FIG. 1 is a front perspective view of an eyeglass accessory of the present invention;

FIG. 2 is a front elevational view thereof;

FIG. 3 is a right side elevational view thereof, the left side elevational view being a mirror image thereof;

FIG. 4 is a top plan view thereof;

FIG. 5 is a rear elevational view thereof; and,

FIG. 6 is a front perspective view of a portion of the accessory of FIG. 1 showing an eyeglass and leash in phantom lining, an eyeglass and leash being one non-limiting environment in which the new design can be used.

The broken line portions of the drawings are for illustrative purposes only and form no part of the claimed design.

1 Claim, 2 Drawing Sheets

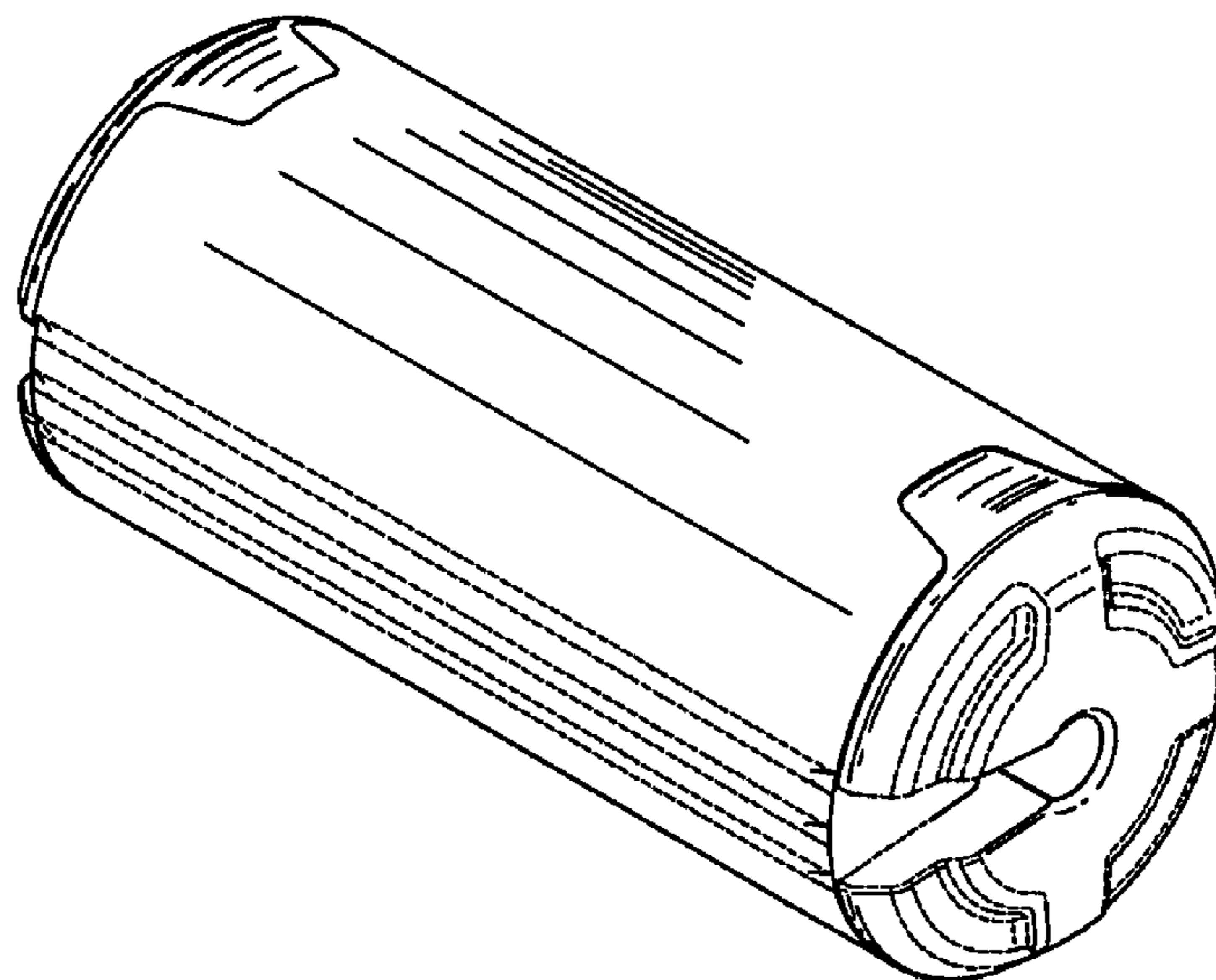


FIG. 1

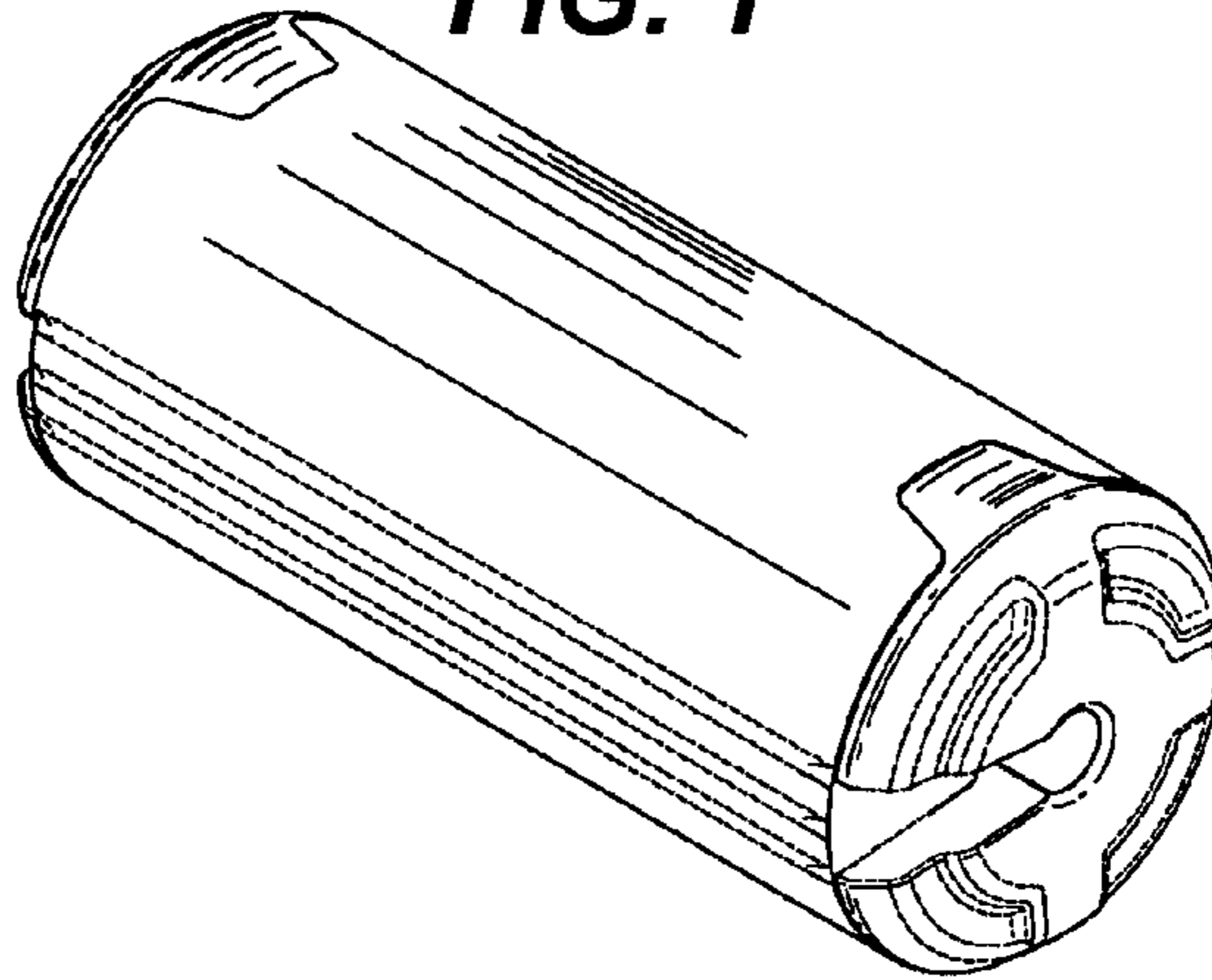


FIG. 3

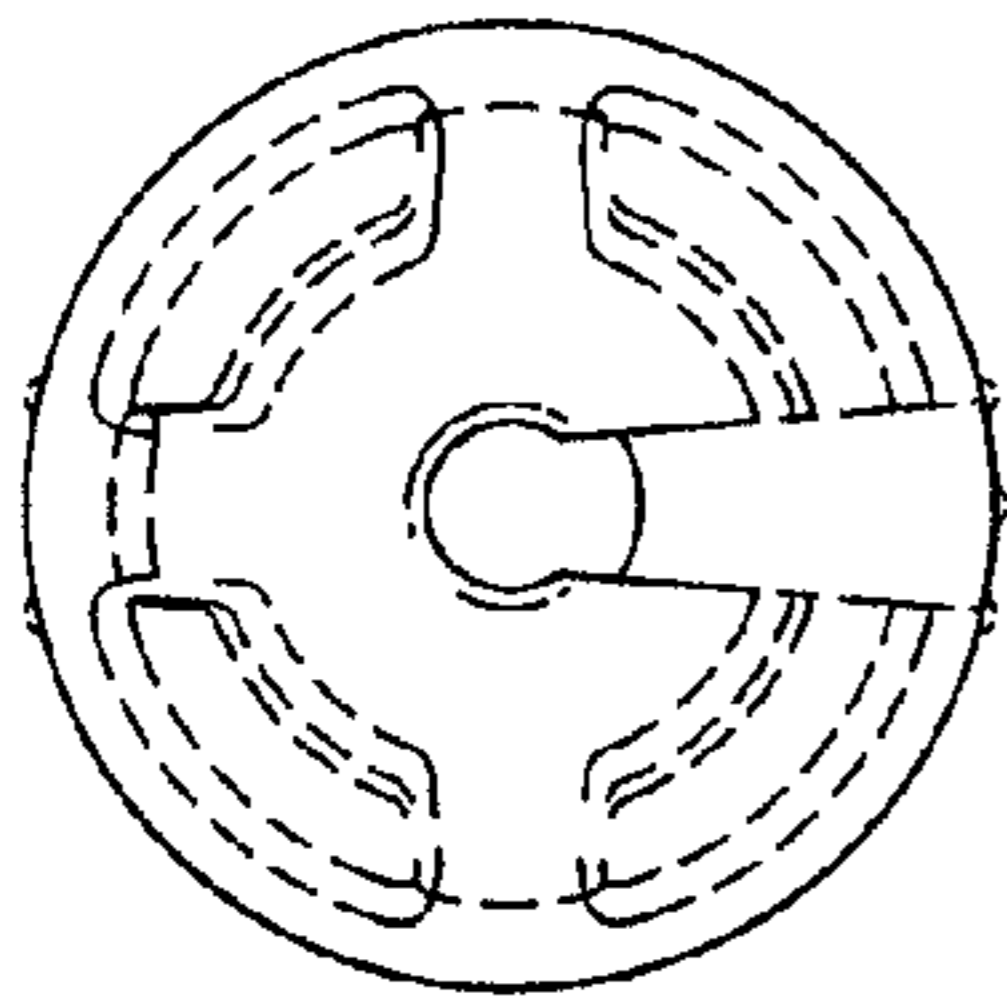


FIG. 2

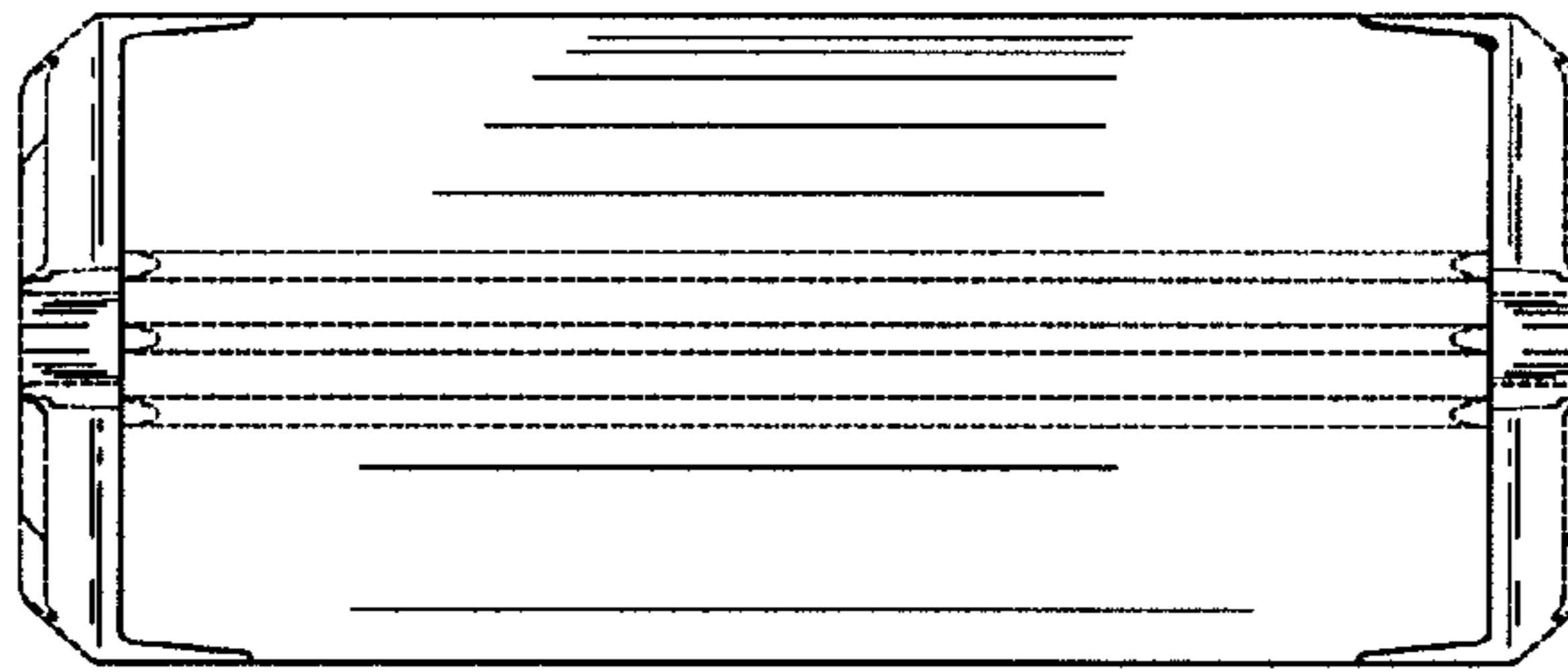


FIG. 4

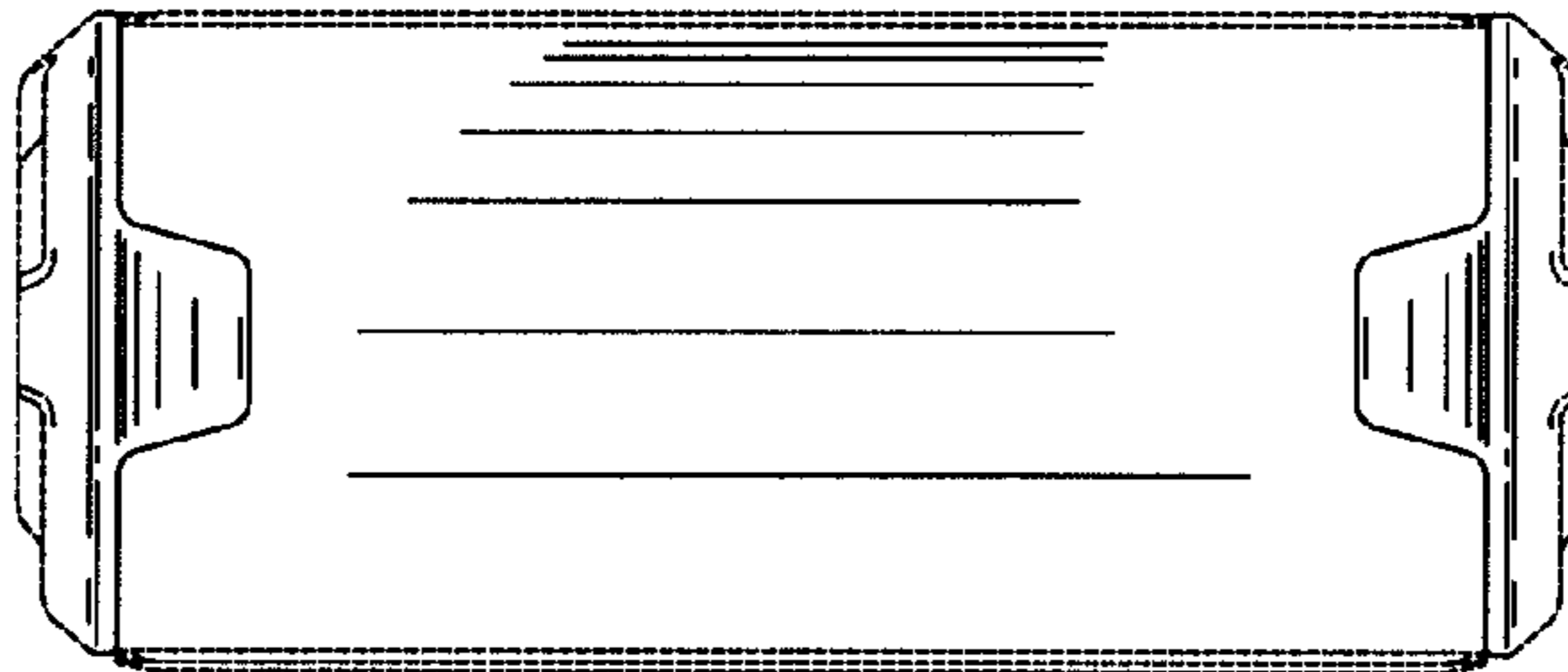
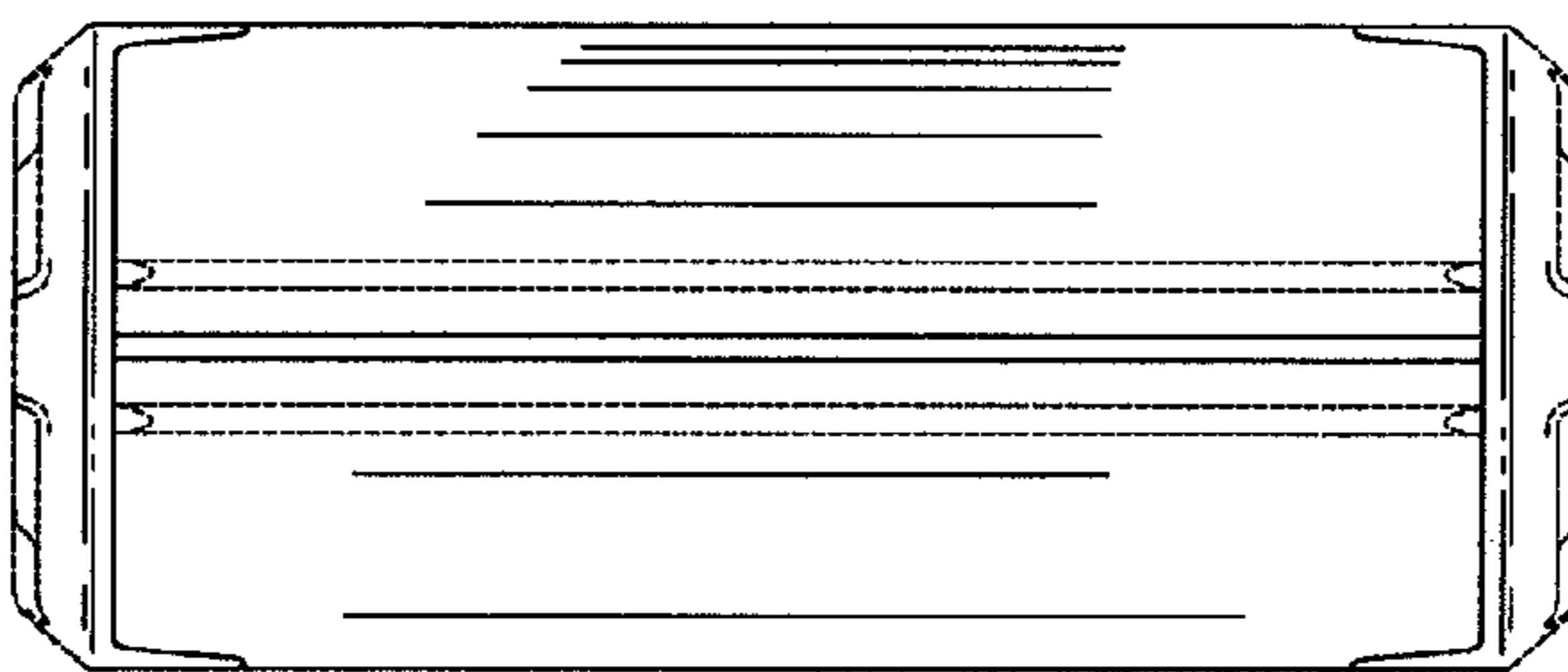


FIG. 5



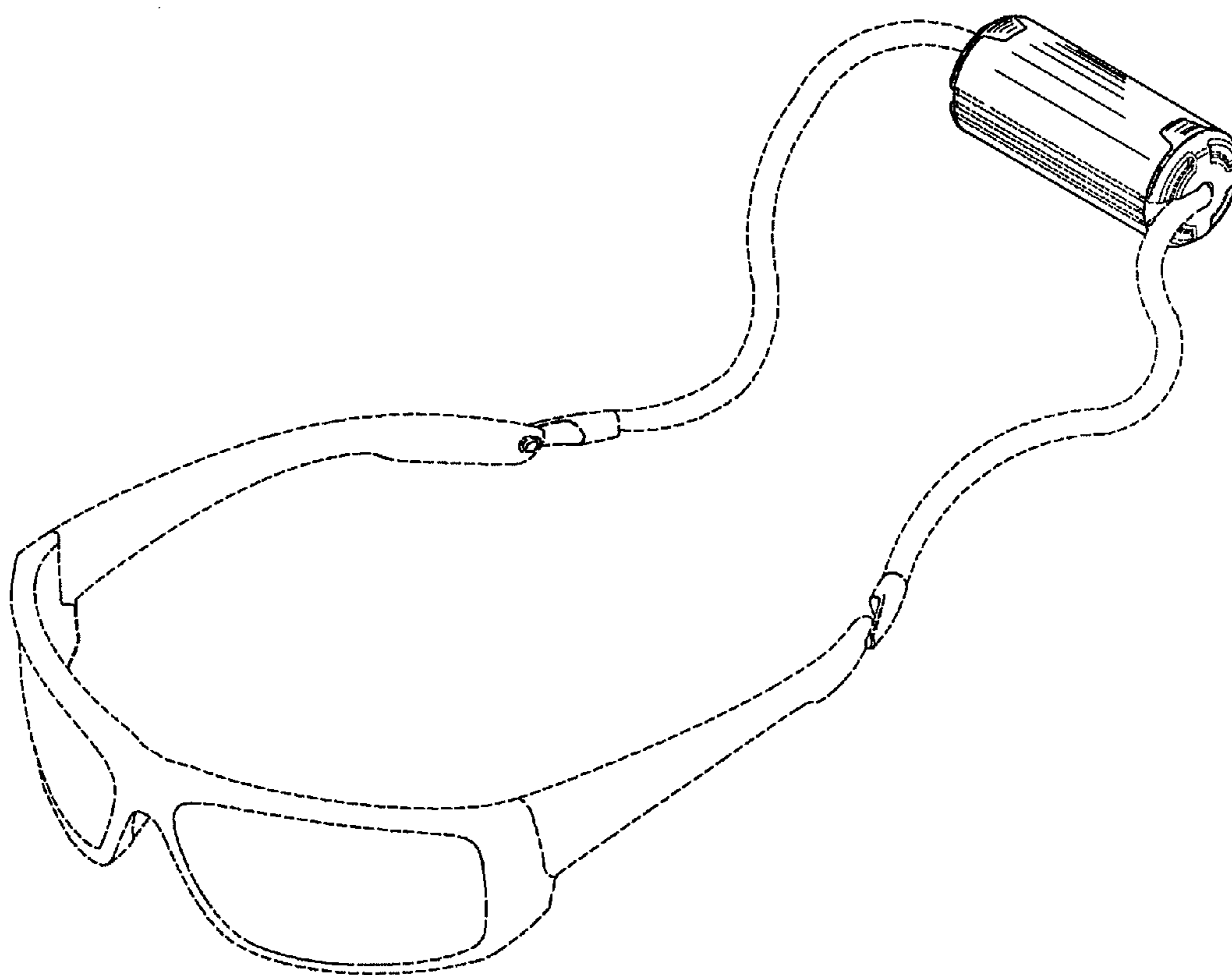


FIG. 6