



US00D673995S

(12) **United States Design Patent**
Hodgson et al.

(10) **Patent No.:** **US D673,995 S**
(45) **Date of Patent:** **** Jan. 8, 2013**

(54) **BLINDER FOR HEAD MOUNTED DISPLAY**

(75) Inventors: **David P. Hodgson**, Rochester Hills, MI (US); **John J. Heinlen**, Troy, MI (US)

(73) Assignee: **3-D Etc., LLC**, Pontiac, MI (US)

(**) Term: **14 Years**

(21) Appl. No.: **29/414,009**

(22) Filed: **Feb. 23, 2012**

(51) **LOC (9) Cl.** **16-06**

(52) **U.S. Cl.** **D16/300**

(58) **Field of Classification Search** D14/372,

D14/496, 432, 371, 125, 126, 129, 299;

D16/300-342; 351/158, 153, 144; 345/7-9,

345/905; 455/344; 348/115, 53, 121, 739

See application file for complete search history.

(56) **References Cited**

U.S. PATENT DOCUMENTS

5,880,773	A *	3/1999	Suzuki	348/115
D424,556	S *	5/2000	Meyer	D14/138 AA
6,903,875	B2	6/2005	Achtner		
6,945,648	B2	9/2005	Schindler et al.		
7,295,377	B2	11/2007	Edelmann		
D571,366	S *	6/2008	Lee et al.	D14/372
D578,120	S *	10/2008	Lowe et al.	D14/372
7,633,683	B2 *	12/2009	Beck et al.	359/630
D621,805	S *	8/2010	Travers et al.	D14/126
D624,111	S *	9/2010	Knoop	D16/300
D640,256	S *	6/2011	So	D14/372
2008/0181258	A1	7/2008	Tomizawa		
2008/0299894	A1	12/2008	Natori et al.		
2010/0134532	A1	6/2010	Choi et al.		
2010/0214414	A1	8/2010	Spruck		
2010/0321277	A1	12/2010	Spruck et al.		

OTHER PUBLICATIONS

Z800 3DVisor; "Get Inside the Game", www.3dvisor.com, copyright 2012 eMagin Corporation.

iWear VR920 Video Eyewear, Virtual Reality—Vuzix VR920 Virtual Reality headset for PC, www.virtual-worlds-online.com/html/virtual_reality.html; printed Jan. 18, 2012.

ILIXCO, I-glasses i3TV, I-glasses Video 3D Pro: Advanced Video Eyewear Headset, www.i-glassesstore.com/Ig-hrvpro.html, copyright 2011 i-O Display Systems.

WXHMD-A wireless Head-Mounted Display with embedded Linux, http://www.pabr.org/wxhmd/doc/wxhmd.en.html, copyright Sep. 1, 2009 pascal@pabr.org.

Wearable HDTV/Personal 3D Viewer/HMZ-T1/Sony USA, Personal 3D Viewer, sotre.sone.com/webapp/wcs/stores/servlet/ProductDisplay?catalogId=1055 . . . , printed Jan. 18, 2012.

* cited by examiner

Primary Examiner — Raphael Barkai

Assistant Examiner — Randall Gholson

(74) *Attorney, Agent, or Firm* — Brooks Kushman P.C.

(57) **CLAIM**

The ornamental design for a blinder for head mounted display, as shown.

DESCRIPTION

FIG. 1 is a perspective view of the blinder for head mounted display thereof;

FIG. 2 is a front view thereof;

FIG. 3 is a rear view thereof;

FIG. 4 is a left side elevational view thereof;

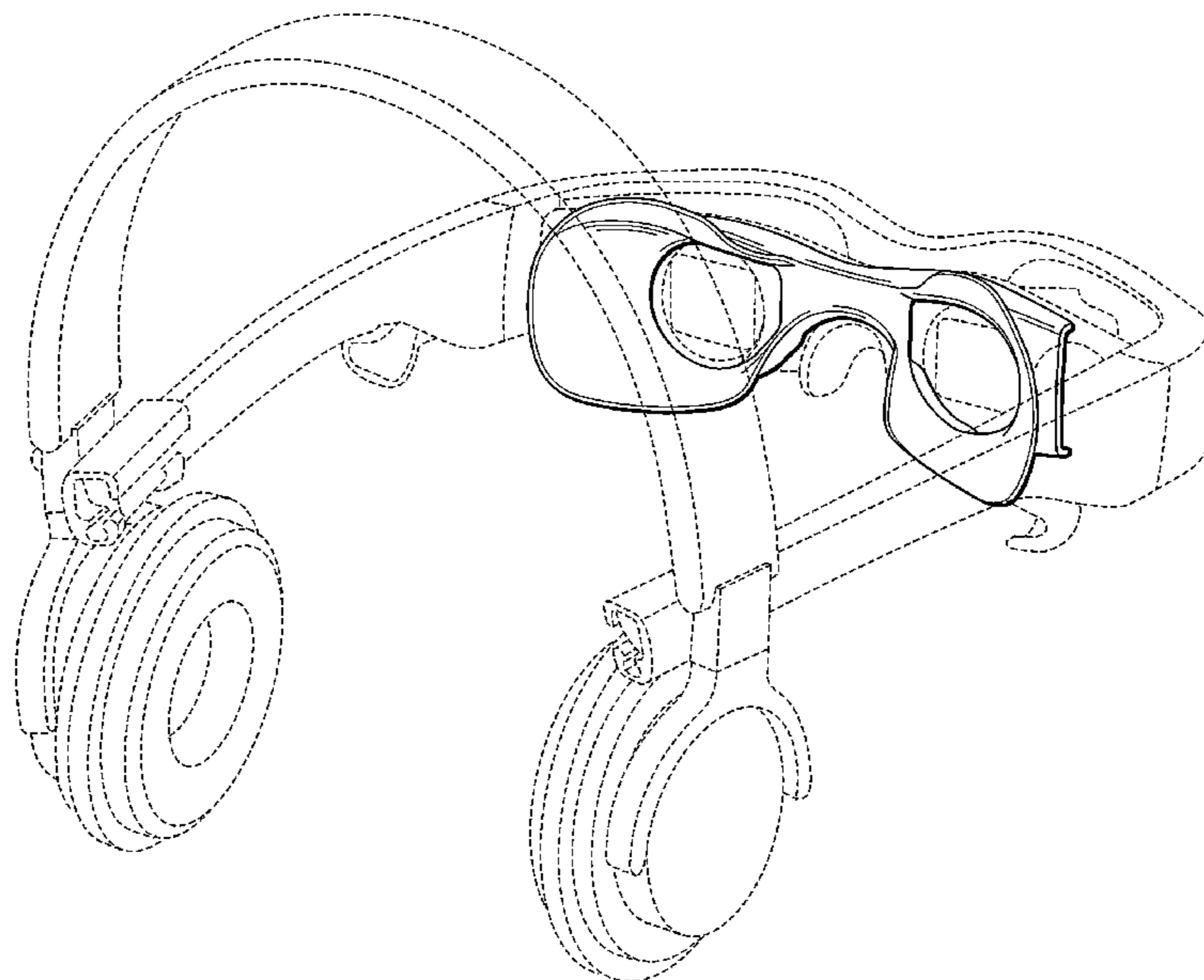
FIG. 5 is a right side elevational view thereof;

FIG. 6 is a top plan view thereof; and,

FIG. 7 is a bottom plan view thereof of the present invention.

The broken lines are for illustrative purposes only and form no part of the claimed design.

1 Claim, 4 Drawing Sheets



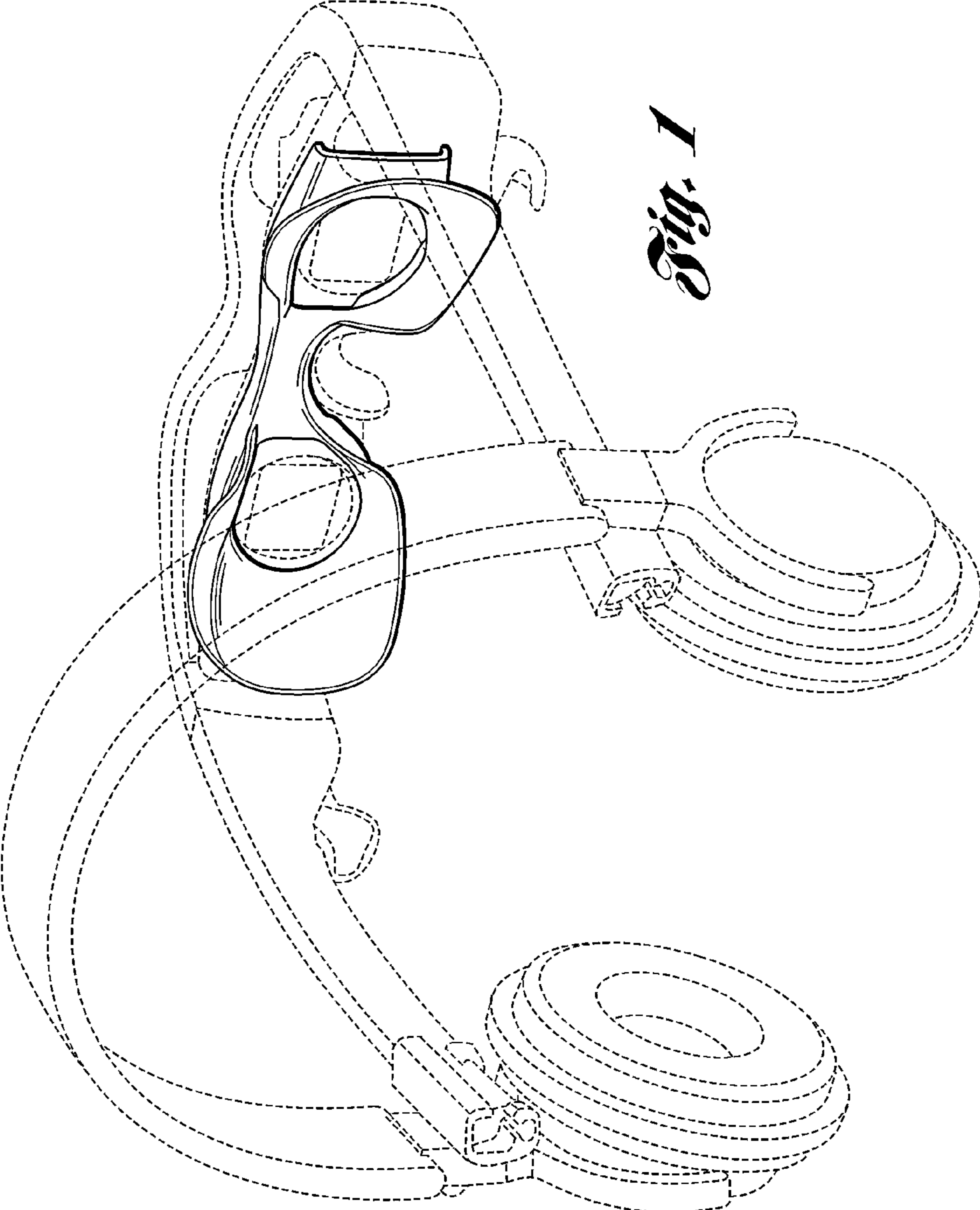


Fig. 2

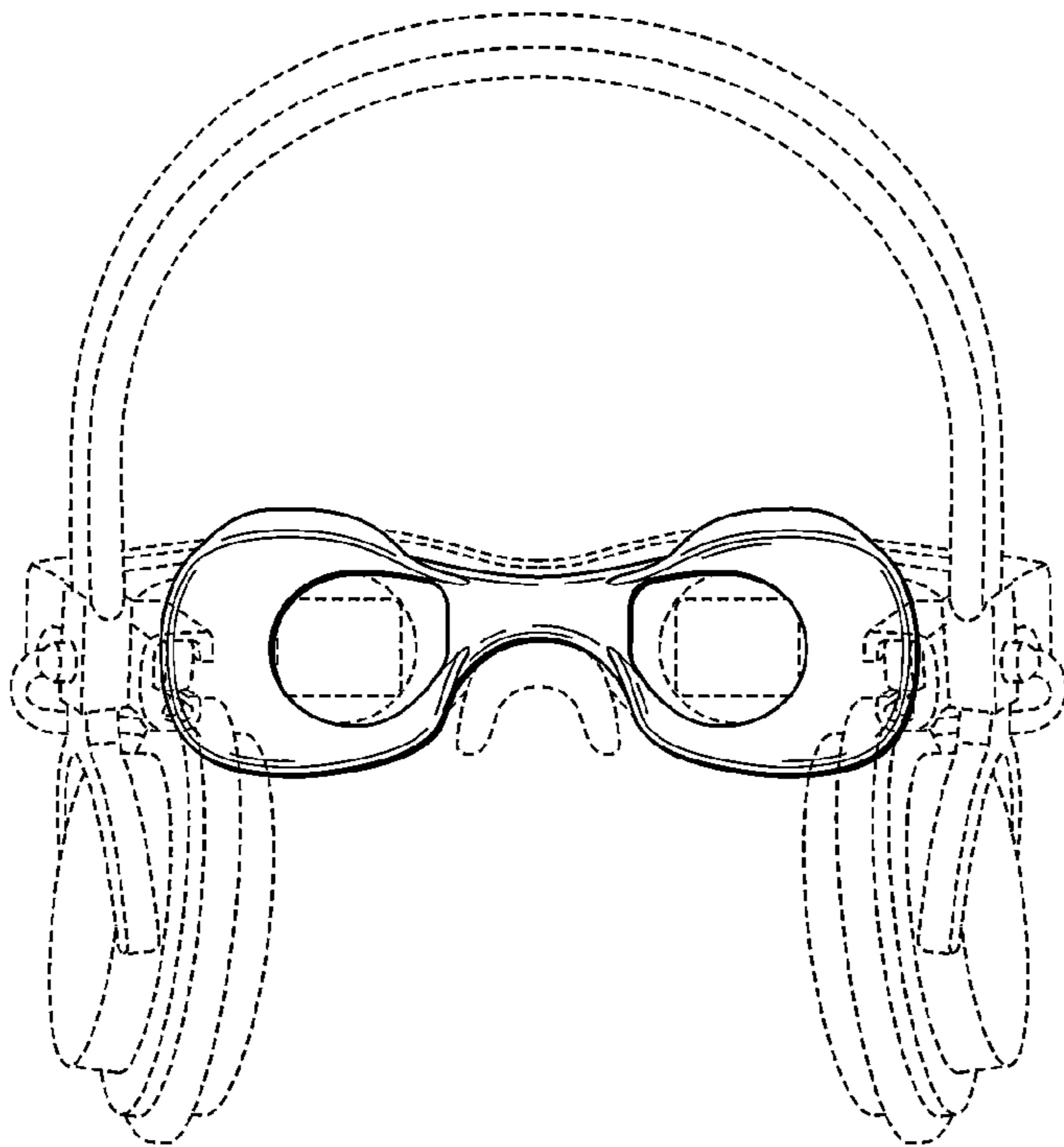
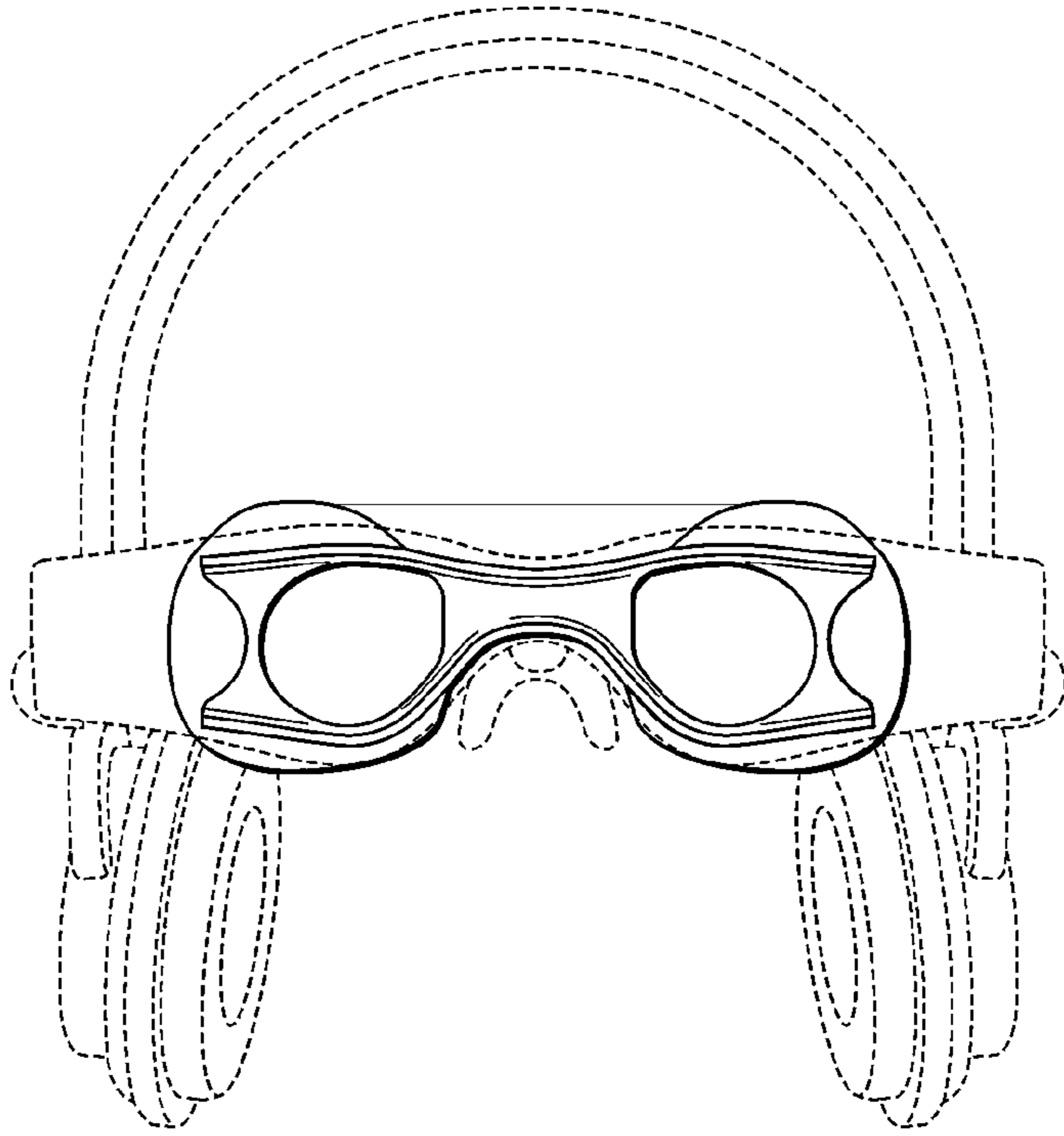


Fig. 3

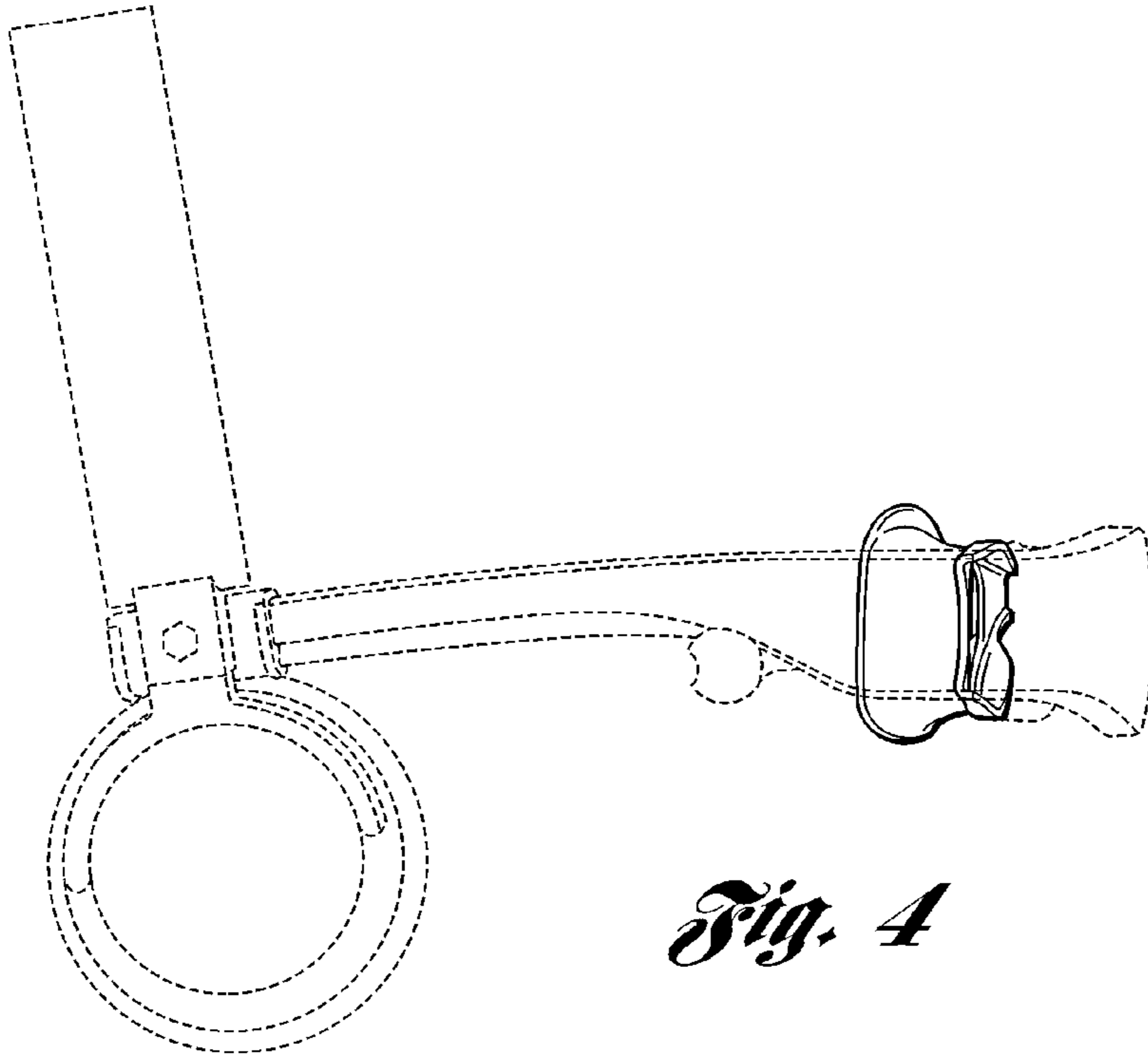


Fig. 4

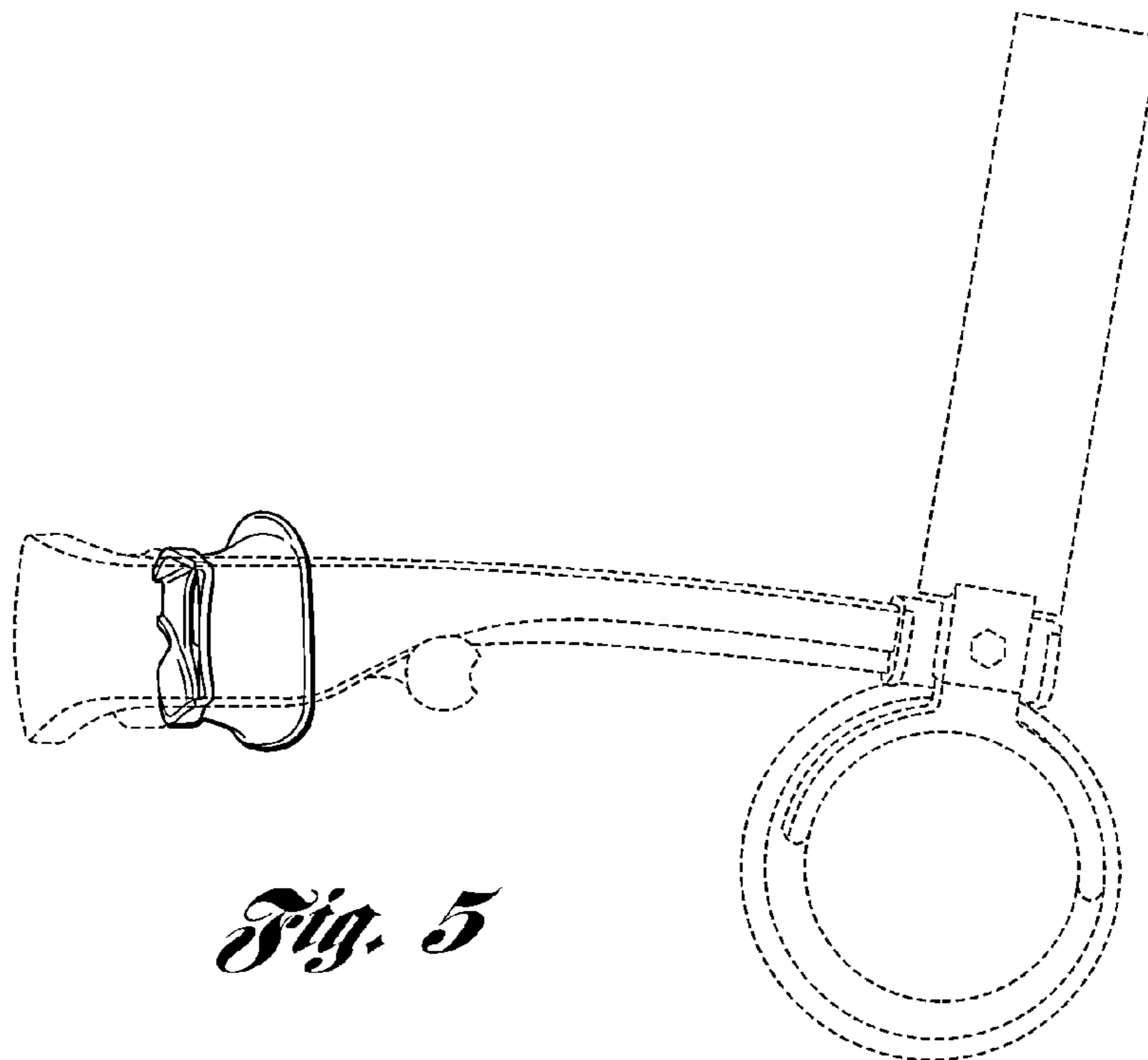


Fig. 5

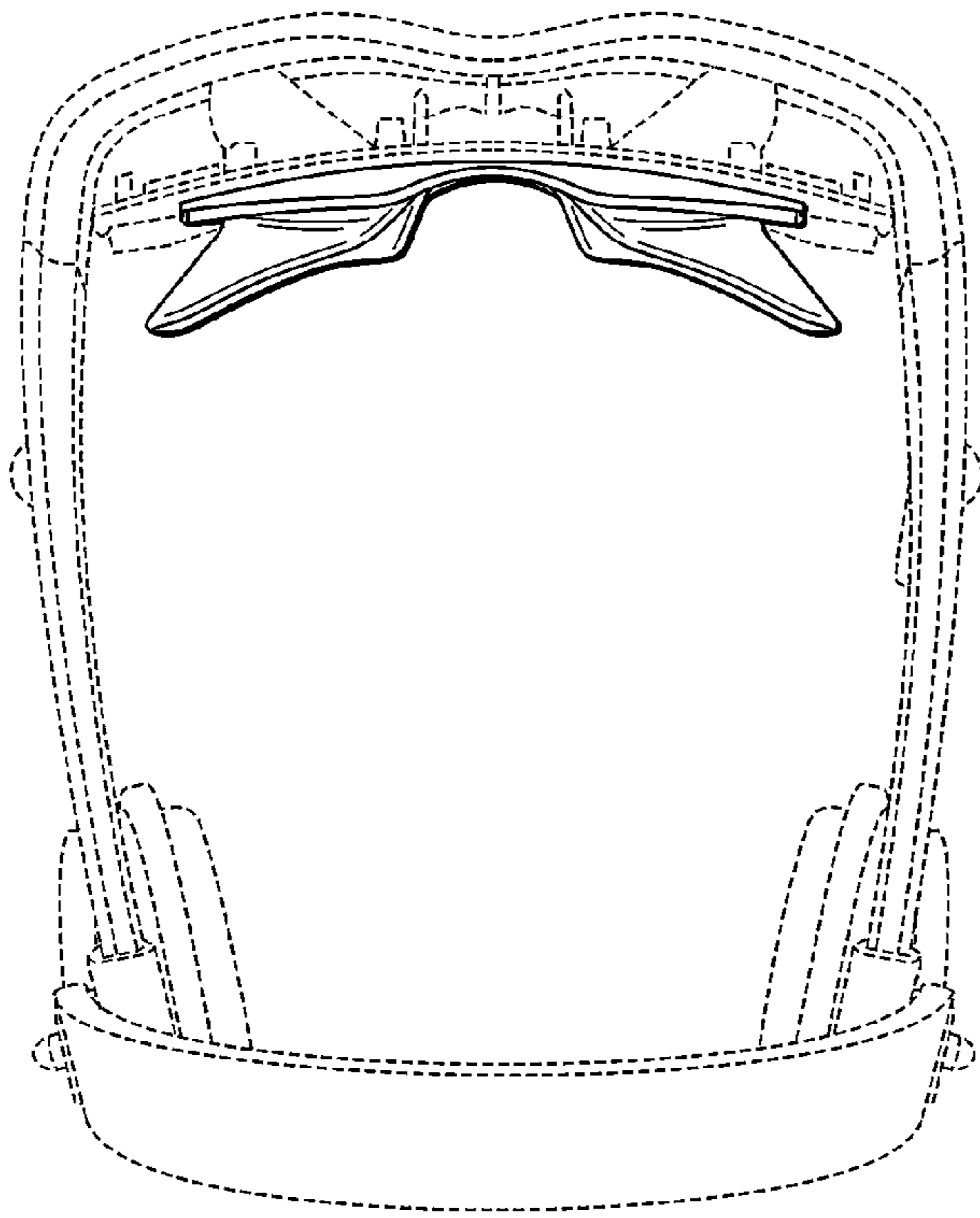


Fig. 6

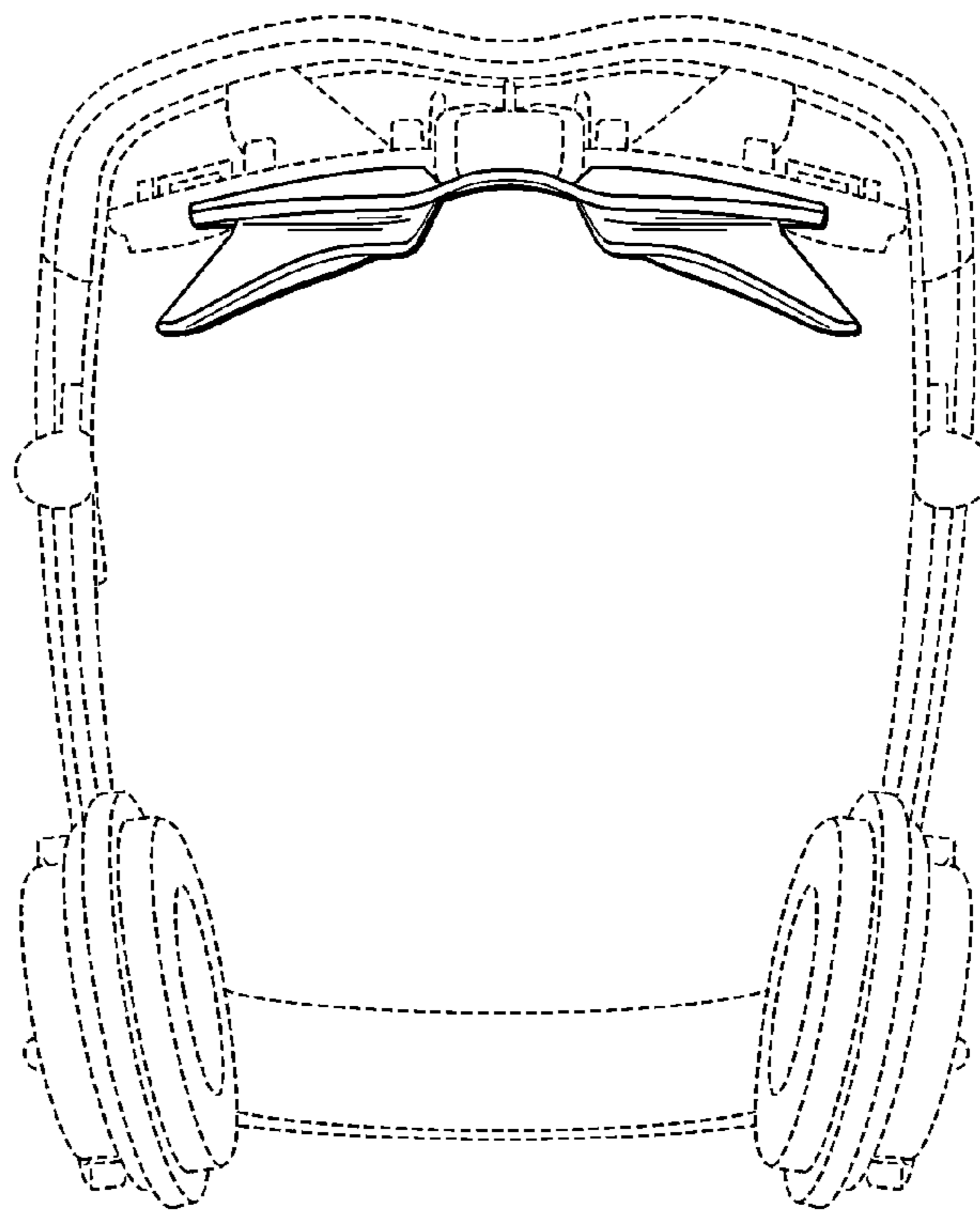


Fig. 7