



US00D673993S

(12) **United States Design Patent**
Yanagi et al.

(10) **Patent No.:** **US D673,993 S**
(45) **Date of Patent:** **** Jan. 8, 2013**

(54) **LENS FOR TELEVISION CAMERA**

(56) **References Cited**

(75) Inventors: **Hiromi Yanagi**, Saitama (JP); **Makoto Isozaki**, Saitama (JP)

(73) Assignee: **FUJIFILM Corporation**, Tokyo (JP)

(**) Term: **14 Years**

(21) Appl. No.: **29/391,841**

(22) Filed: **May 13, 2011**

(30) **Foreign Application Priority Data**

Nov. 16, 2010 (JP) 2010-027561

(51) **LOC (9) Cl.** **16-01**

(52) **U.S. Cl.** **D16/219**

(58) **Field of Classification Search** D16/134,
D16/136, 202, 219, 243; 348/373-376; 359/815,
359/827; 396/423, 535, 544

See application file for complete search history.

U.S. PATENT DOCUMENTS

4,757,335	A *	7/1988	Muryoi et al.	396/535
D407,732	S *	4/1999	Miyamoto	D16/219
D559,880	S *	1/2008	Sumita	D16/202
D605,681	S *	12/2009	Obata	D16/219
D615,117	S *	5/2010	Isozaki	D16/243
D615,118	S *	5/2010	Isozaki	D16/243
D624,110	S *	9/2010	Isozaki	D16/243
7,845,863	B2 *	12/2010	Ahn et al.	396/423

* cited by examiner

Primary Examiner — Adir Aronovich

(74) *Attorney, Agent, or Firm* — Sughrue Mion, PLLC

(57) **CLAIM**

The ornamental design for a lens for television camera, as shown and described.

DESCRIPTION

FIG. 1 is a top, front and side perspective view of a lens for television camera showing our new design; FIG. 2 is a front elevational view thereof; and, FIG. 3 is a top plan view thereof. The portions of the lens for television camera in broken lines are shown for illustrative purposes only and form no part of the claimed design.

1 Claim, 3 Drawing Sheets

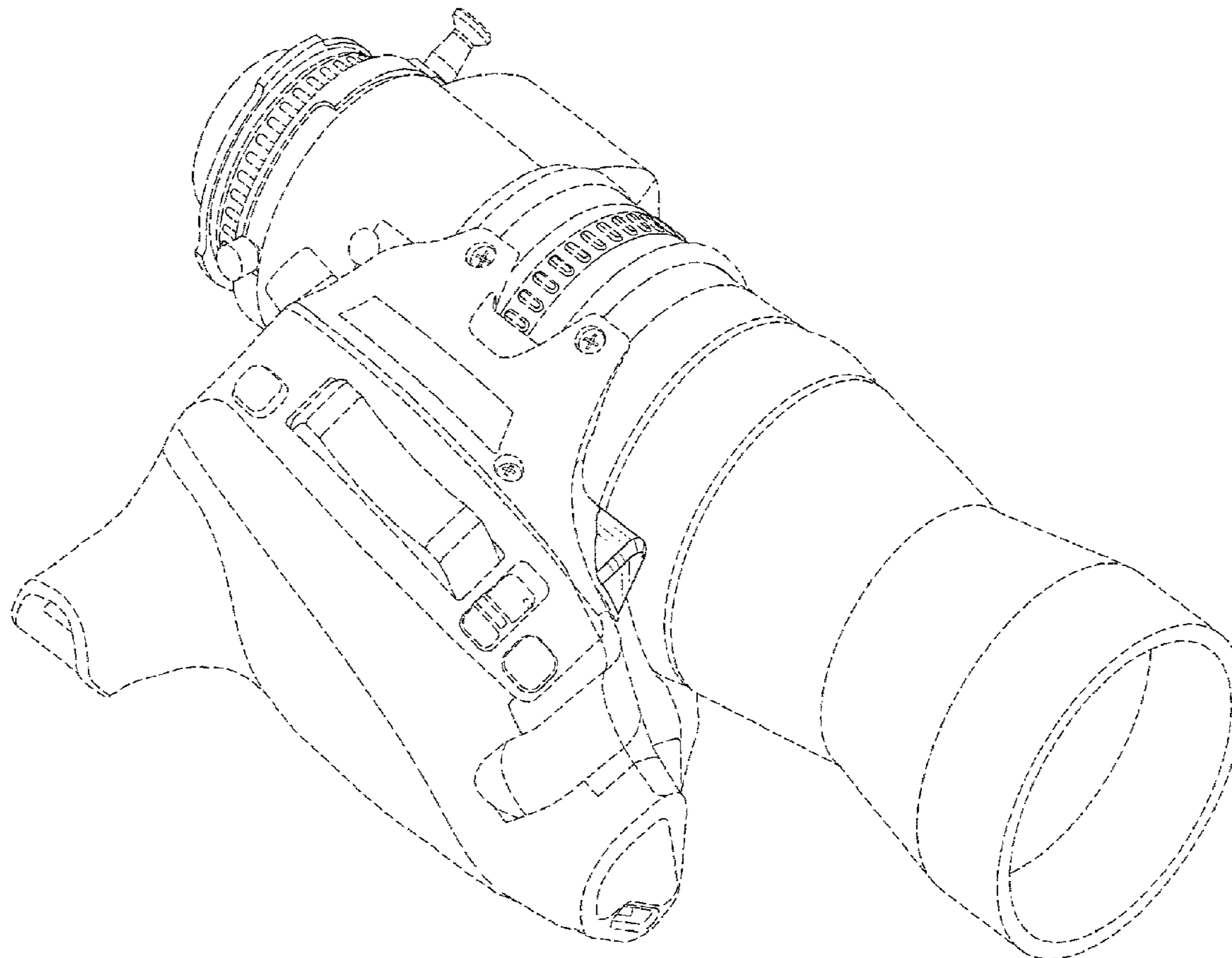


FIG.1

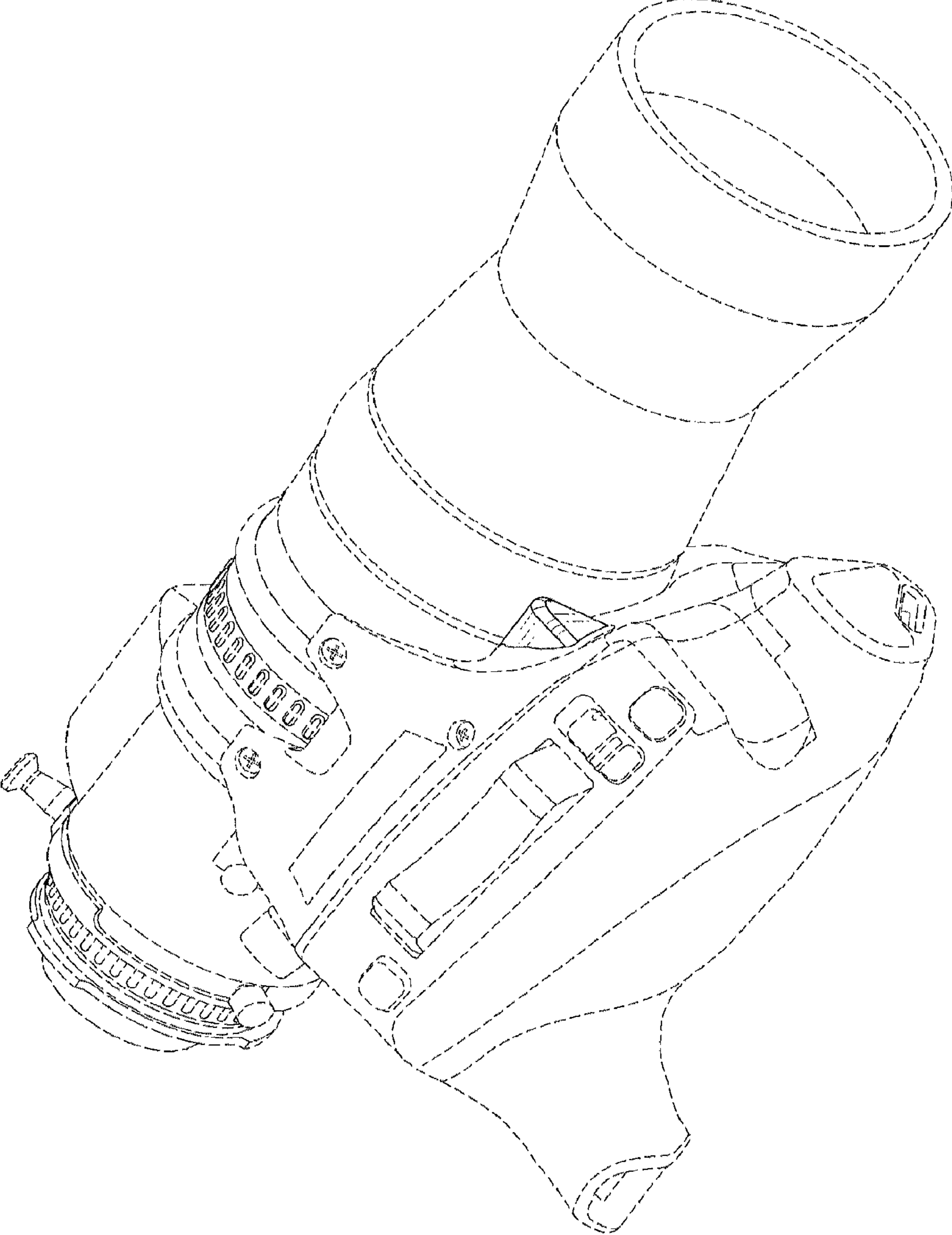


FIG. 2

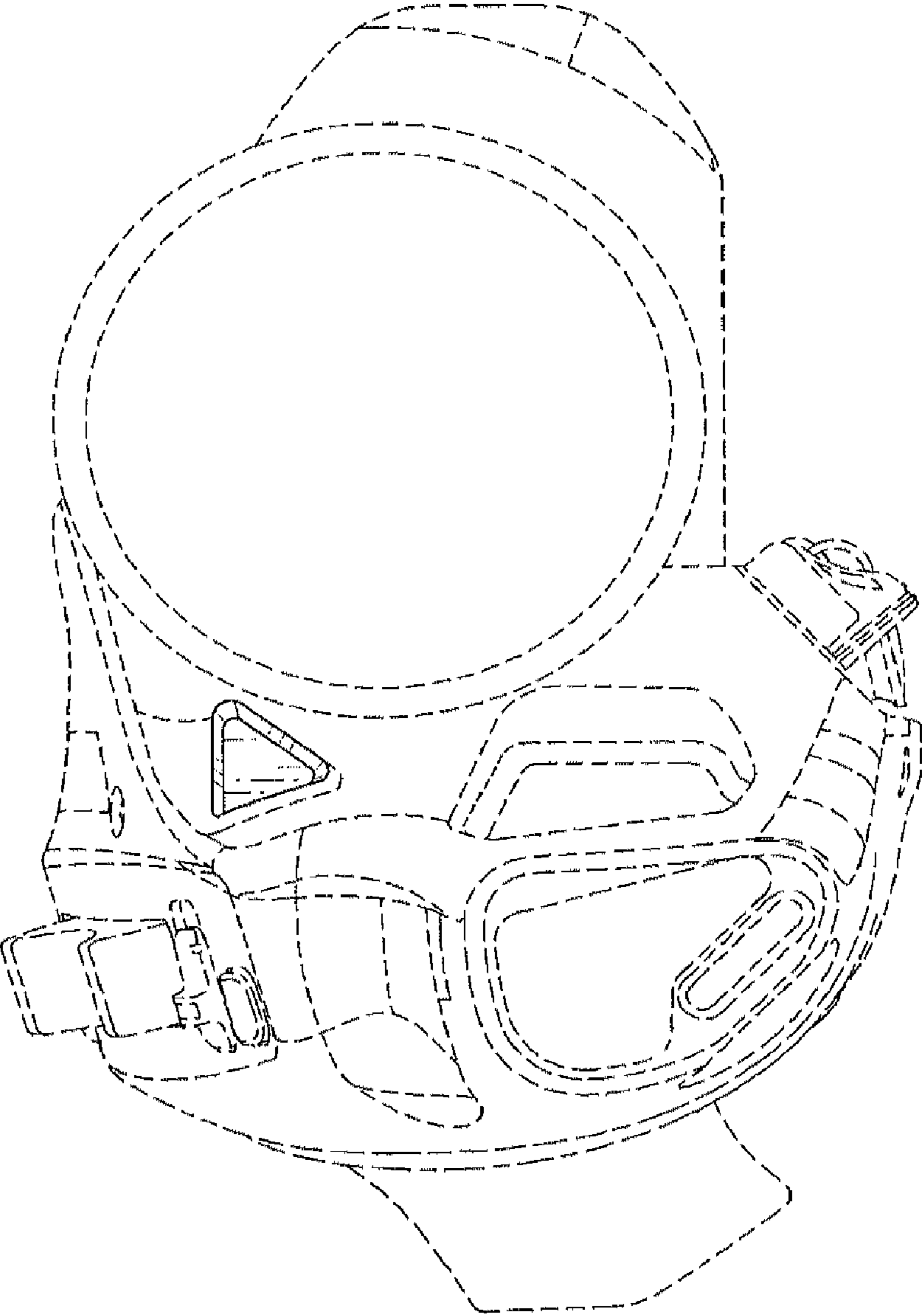


FIG. 3

