



US00D673992S

(12) **United States Design Patent**
Kwon et al.

(10) **Patent No.:** **US D673,992 S**
(45) **Date of Patent:** **** Jan. 8, 2013**

(54) **PROTECTIVE COVER FOR DIGITAL CAMCORDER**

(75) Inventors: **Jong-Chan Kwon**, Yongin-Si (KR);
Jun-Won Bae, Yongin-Si (KR);
Jae-Hwa Moon, Seoul (KR)

(73) Assignee: **Samsung Electronics Co., Ltd.** (KR)

(**) Term: **14 Years**

(21) Appl. No.: **29/390,776**

(22) Filed: **Apr. 29, 2011**

(30) **Foreign Application Priority Data**

Feb. 14, 2011 (KR) 30-2011-0005554

(51) **LOC (9) Cl.** **16-05**

(52) **U.S. Cl.** **D16/219; D16/237**

(58) **Field of Classification Search** D14/250;
D16/202, 203, 208, 219, 237; 348/373-376;
396/429, 448, 535, 541

See application file for complete search history.

(56) **References Cited**

U.S. PATENT DOCUMENTS

7,330,216	B2 *	2/2008	Purdy et al.	348/375
7,586,539	B2 *	9/2009	Chiang	348/376
7,665,913	B2 *	2/2010	Kim	396/448
D625,303	S *	10/2010	Kim	D14/250
7,927,028	B2 *	4/2011	Chan	396/448
8,023,040	B2 *	9/2011	Zhou	348/376
8,054,379	B2 *	11/2011	Yuan	348/376
8,055,297	B2 *	11/2011	Guo	348/374
D654,069	S *	2/2012	Kwon et al.	D14/250

* cited by examiner

Primary Examiner — Adir Aronovich
(74) *Attorney, Agent, or Firm* — NSIP Law

(57) **CLAIM**

The ornamental design for a protective cover for a digital camcorder, as shown and described.

DESCRIPTION

FIG. 1 is a perspective view of a protective cover for digital camcorder;

FIG. 2 is a front view of the protective cover for digital camcorder of FIG. 1;

FIG. 3 is a rear view of the protective cover for digital camcorder of FIG. 1;

FIG. 4 is a left-side view of the protective cover for digital camcorder of FIG. 1;

FIG. 5 is a right-side view of the protective cover for digital camcorder of FIG. 1;

FIG. 6 is a top plan view of the protective cover for digital camcorder of FIG. 1;

FIG. 7 is a bottom plan view of the protective cover for digital camcorder of FIG. 1; and,

FIG. 8 is a perspective view of a protective cover of FIG. 1 in which a digital camcorder is shown in broken lines to illustrate an example of how the digital camcorder may be docked to the protective cover. The broken lines showing the digital camcorder is for illustrative purpose only and form no part of the claimed design.

1 Claim, 6 Drawing Sheets

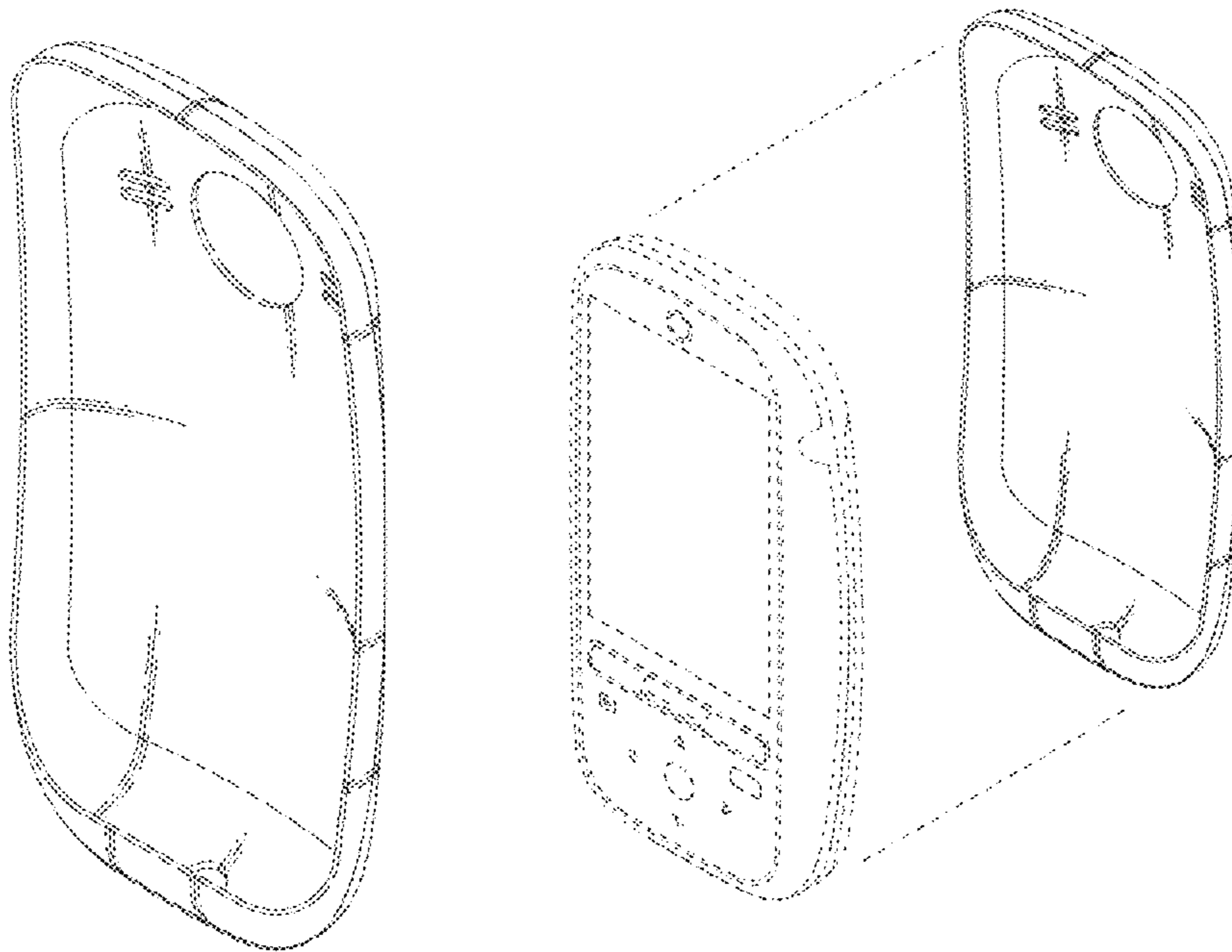


FIG. 1

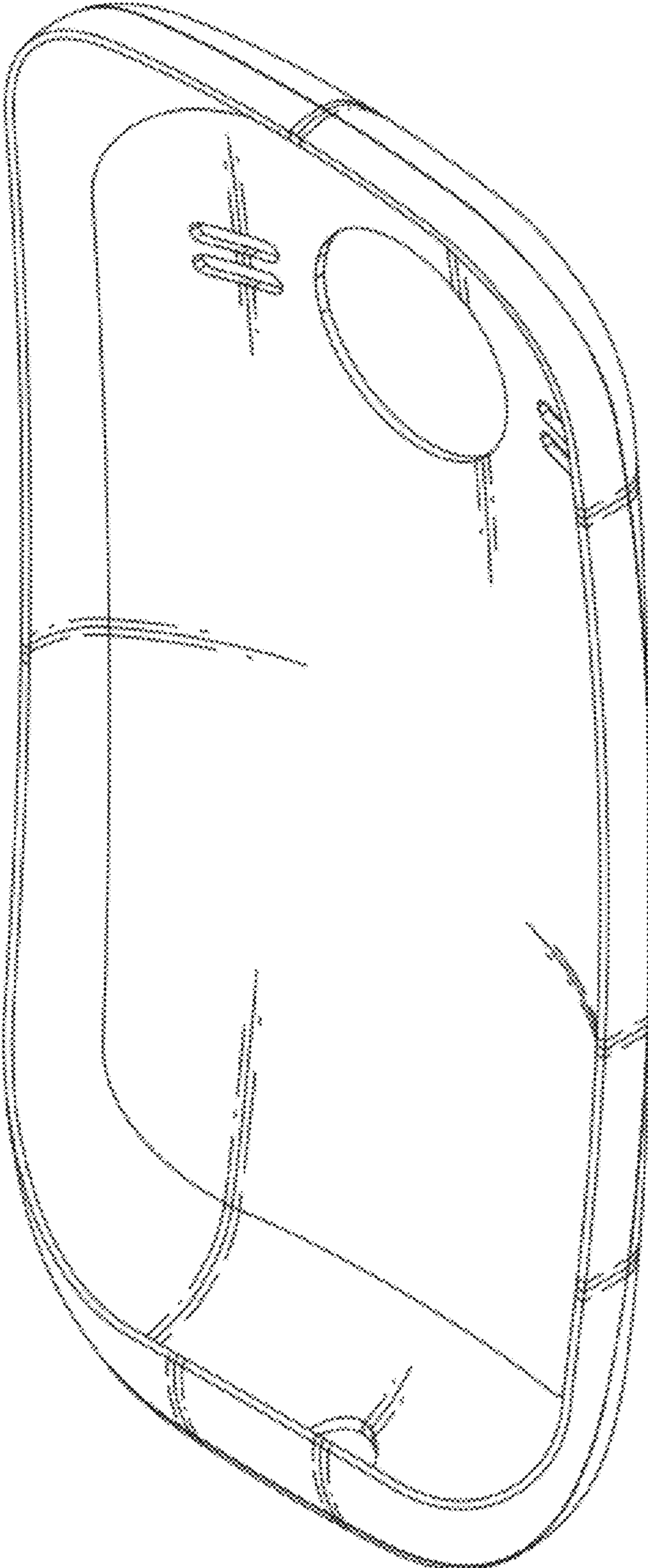


FIG. 2

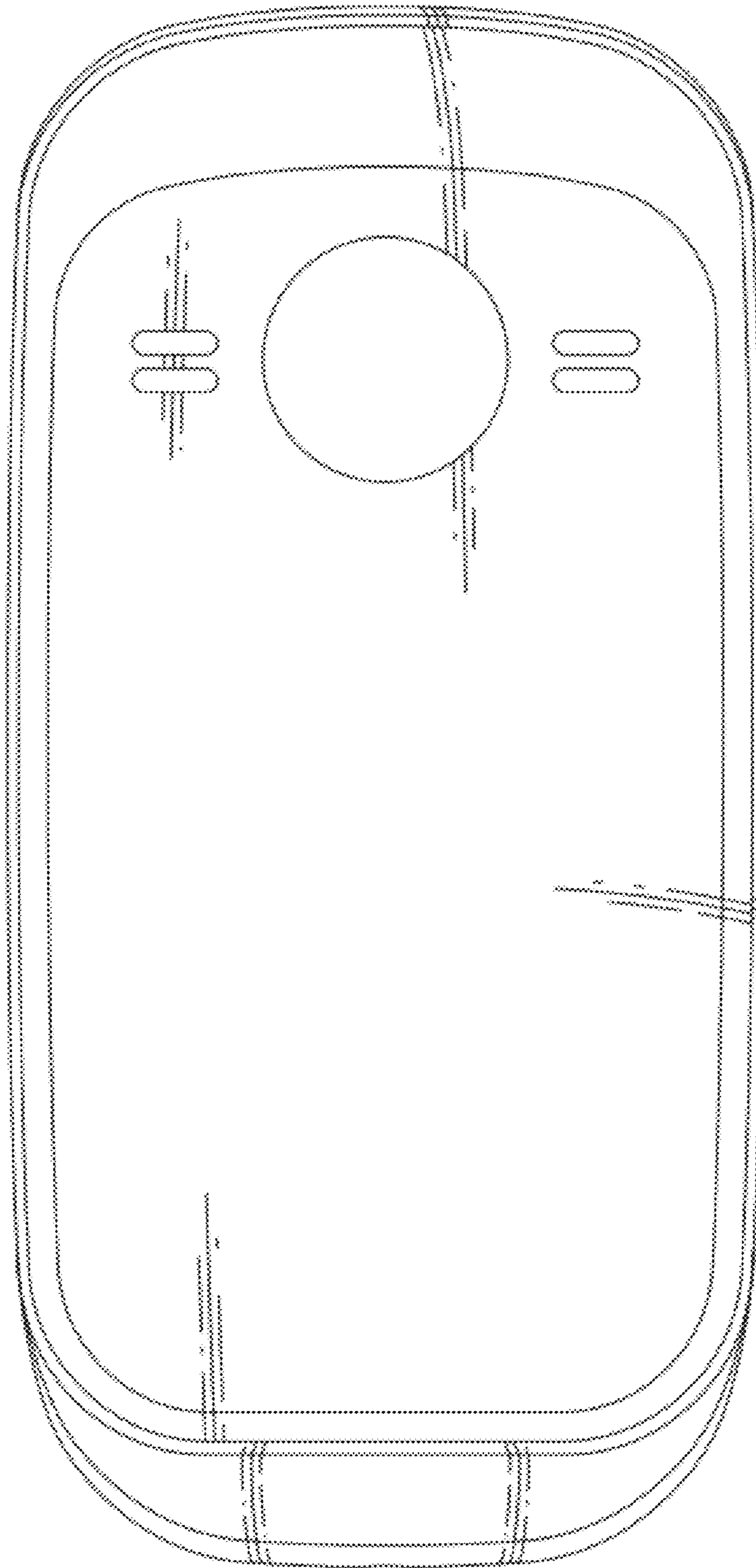


FIG. 3

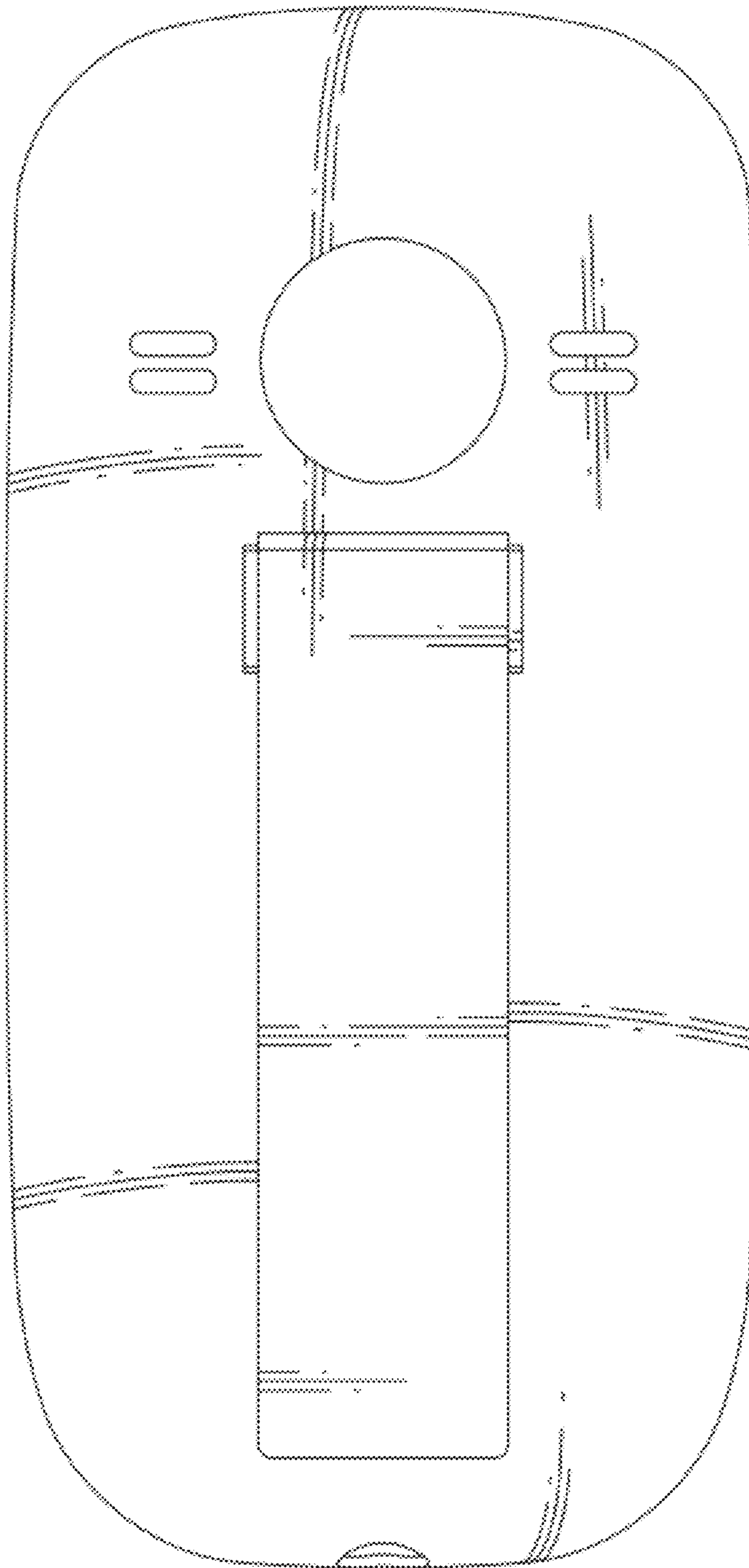


FIG. 4

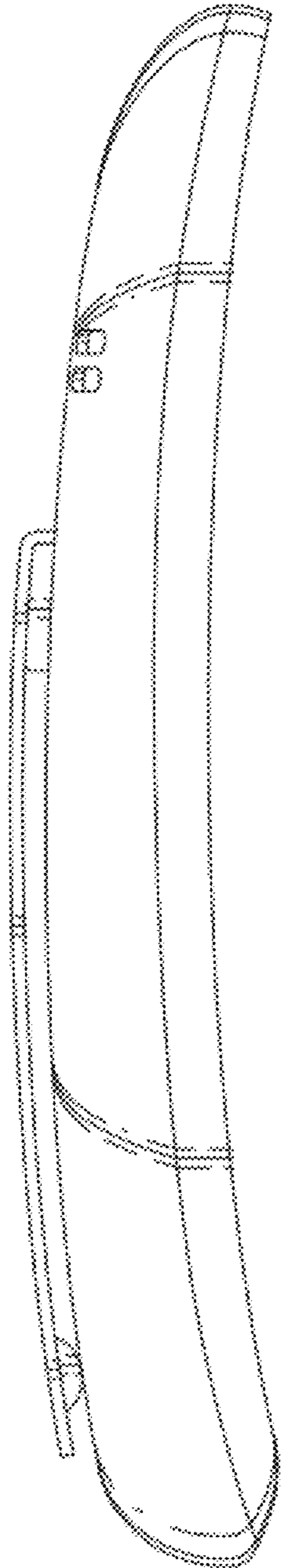


FIG. 5

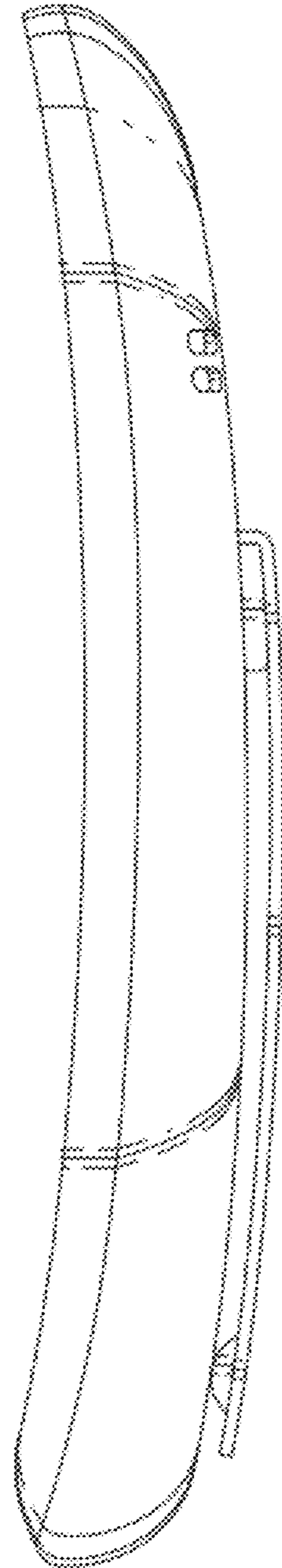


FIG. 6

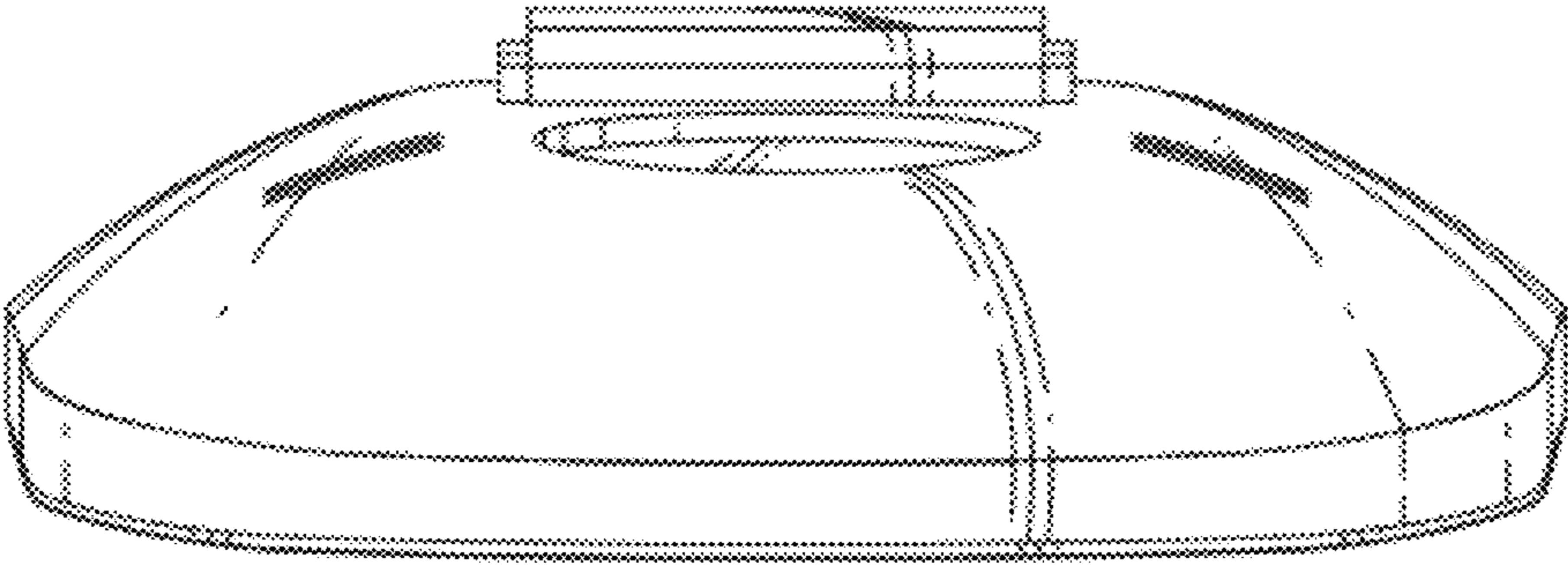


FIG. 7

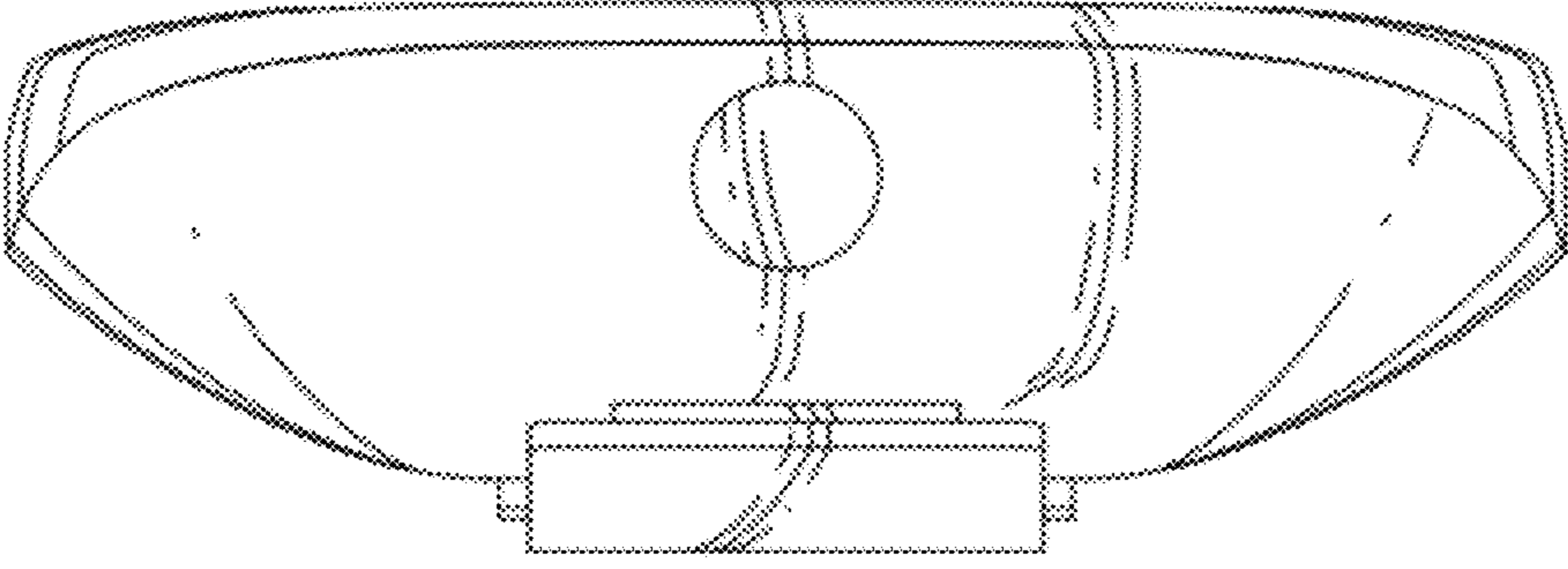


FIG. 8

