



US00D673987S

(12) **United States Design Patent**
Mirrer

(10) **Patent No.:** **US D673,987 S**

(45) **Date of Patent:** **** Jan. 8, 2013**

(54) **VIDEO CAMERA**

(75) **Inventor:** **Barry A. Mirrer**, Santa Barbara, CA
(US)

(73) **Assignee:** **Karl Storz Imaging, Inc.**, Goleta, CA
(US)

(**) **Term:** **14 Years**

(21) **Appl. No.:** **29/390,690**

(22) **Filed:** **Apr. 28, 2011**

(51) **LOC (9) Cl.** **16-01**

(52) **U.S. Cl.** **D16/202; D24/138**

(58) **Field of Classification Search** D16/200–205,
D16/208, 218, 219; D24/133, 137, 138;
348/45, 75, 373–376; 396/535, 540, 541;
600/101, 118, 122

See application file for complete search history.

(56) **References Cited**

U.S. PATENT DOCUMENTS

D474,276 S * 5/2003 Greise et al. D16/219
D501,864 S * 2/2005 Greise et al. D16/219
D523,455 S * 6/2006 Greise et al. D16/202
D607,032 S * 12/2009 Halleck et al. D16/202

7,852,371 B2 * 12/2010 Konstorum et al. 348/75
D643,534 S * 8/2011 Halleck et al. D24/138
8,157,726 B2 * 4/2012 Melder 600/101

* cited by examiner

Primary Examiner — Adir Aronovich

(74) *Attorney, Agent, or Firm* — St. Onge Steward Johnston
& Reens LLC

(57) **CLAIM**

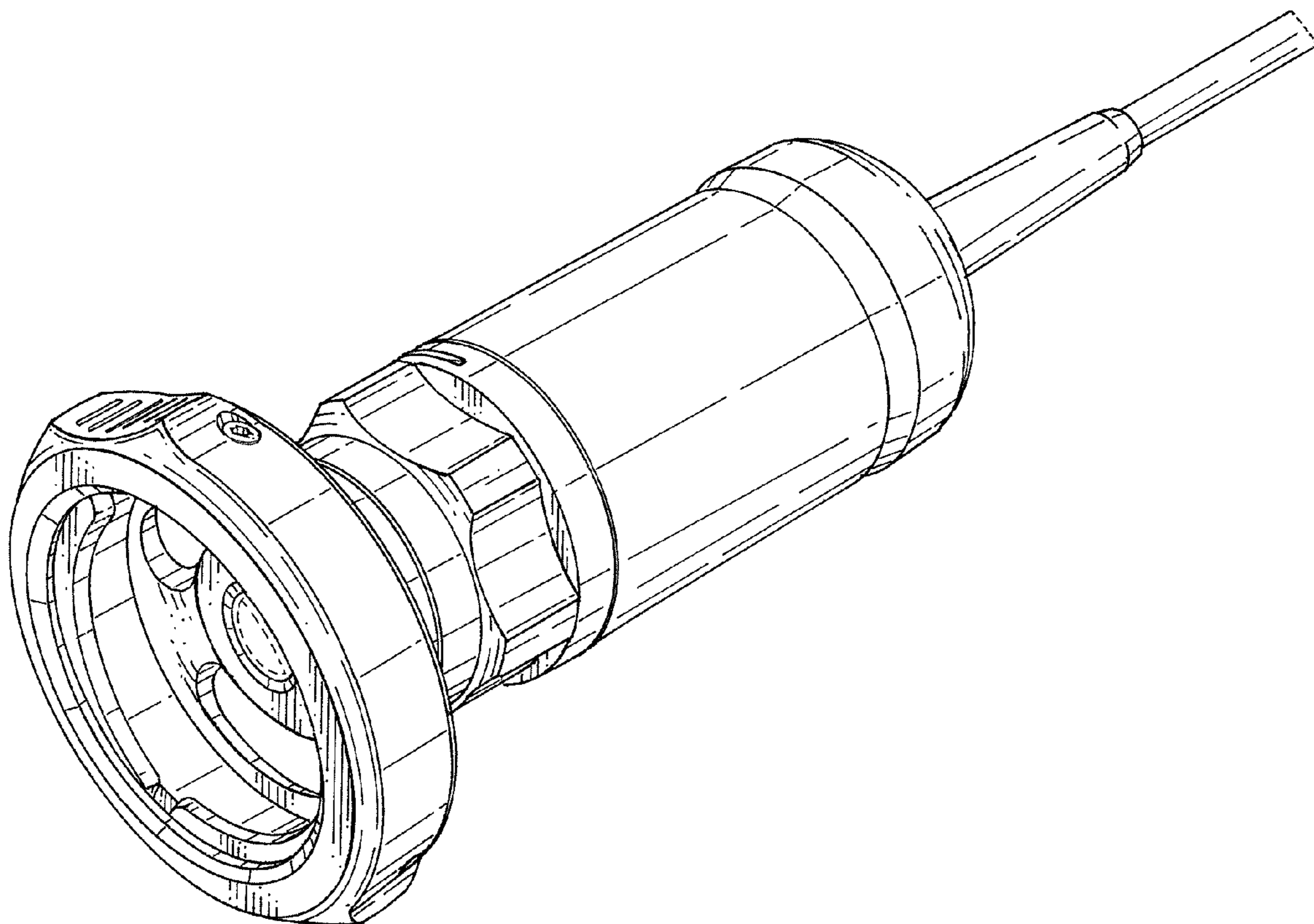
The ornamental design for a video camera, as shown and described.

DESCRIPTION

FIG. 1 is a left side isometric view of a video camera in accordance with the new design;
FIG. 2 is a left side elevation view thereof;
FIG. 3 is a top plan view thereof;
FIG. 4 is a right side elevation view thereof;
FIG. 5 is a top isometric view thereof;
FIG. 6 is a front elevational view thereof; and,
FIG. 7 is a rear elevational view thereof.

The portions of the camera in broken lines shown in FIGS. 1-7 are included for illustrative purposes only and form no part of the claimed design.

1 Claim, 7 Drawing Sheets



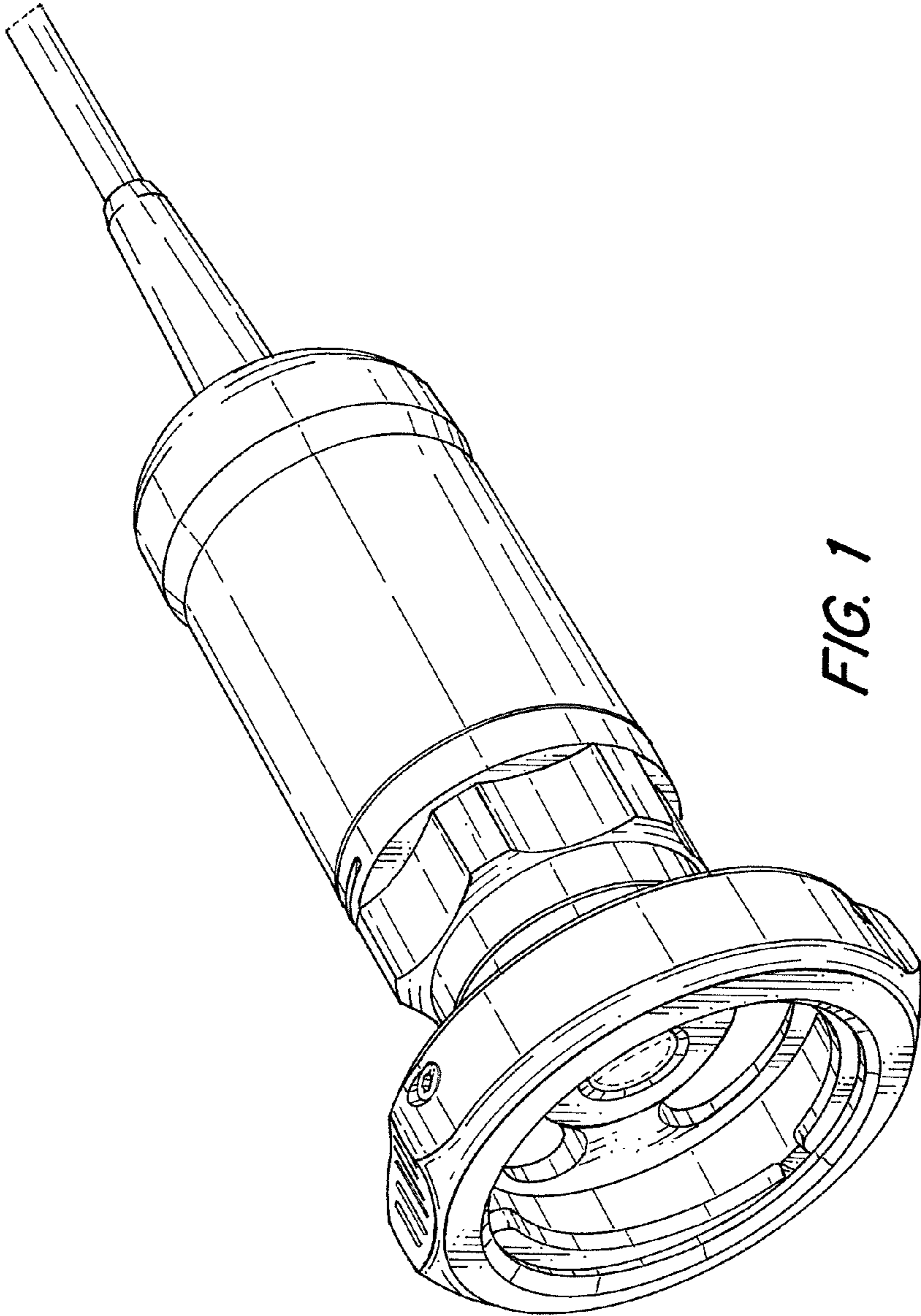


FIG. 1

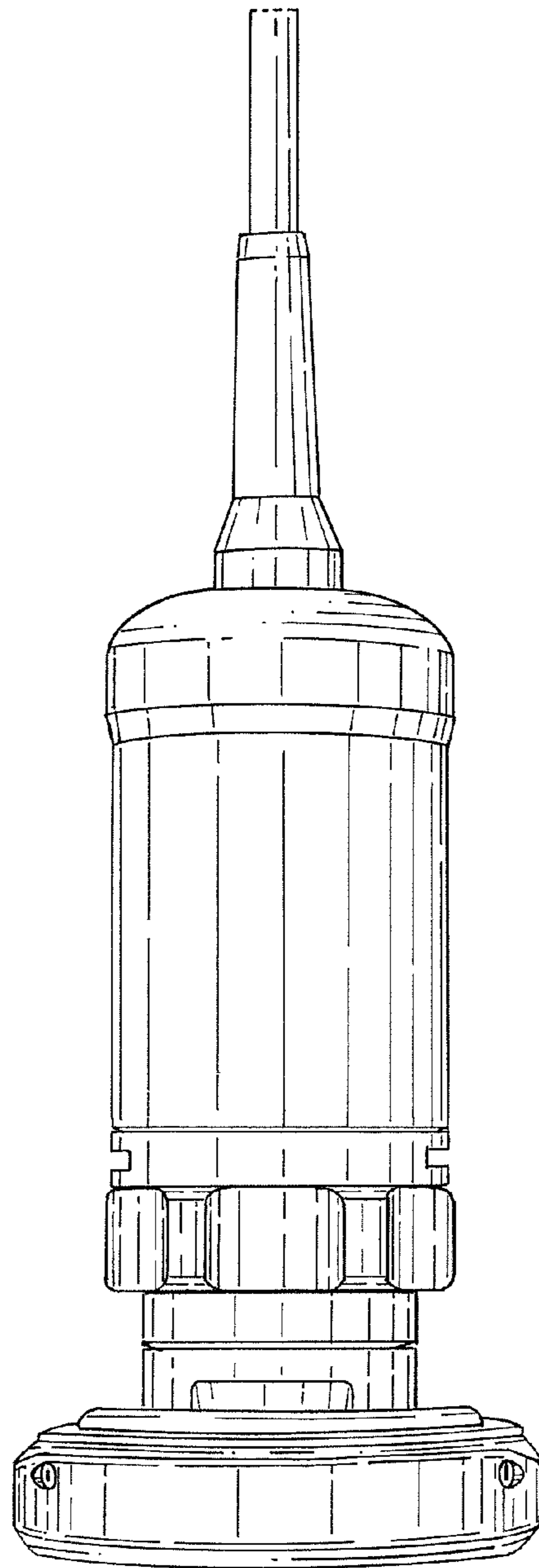


FIG. 2

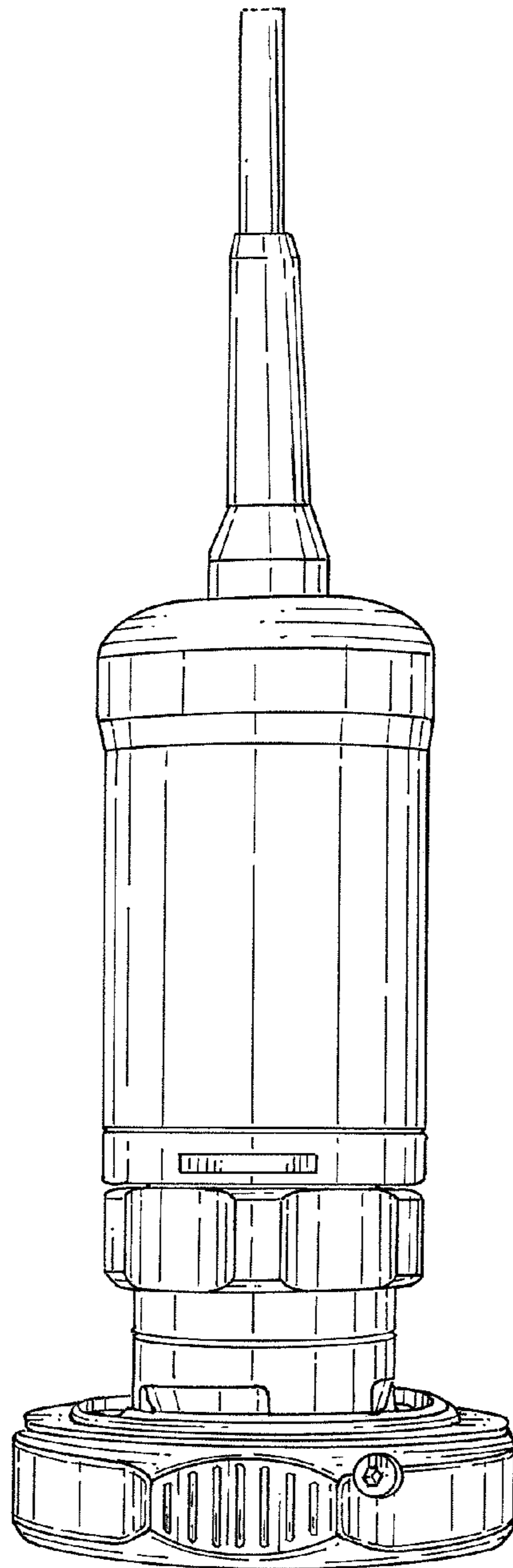


FIG. 3

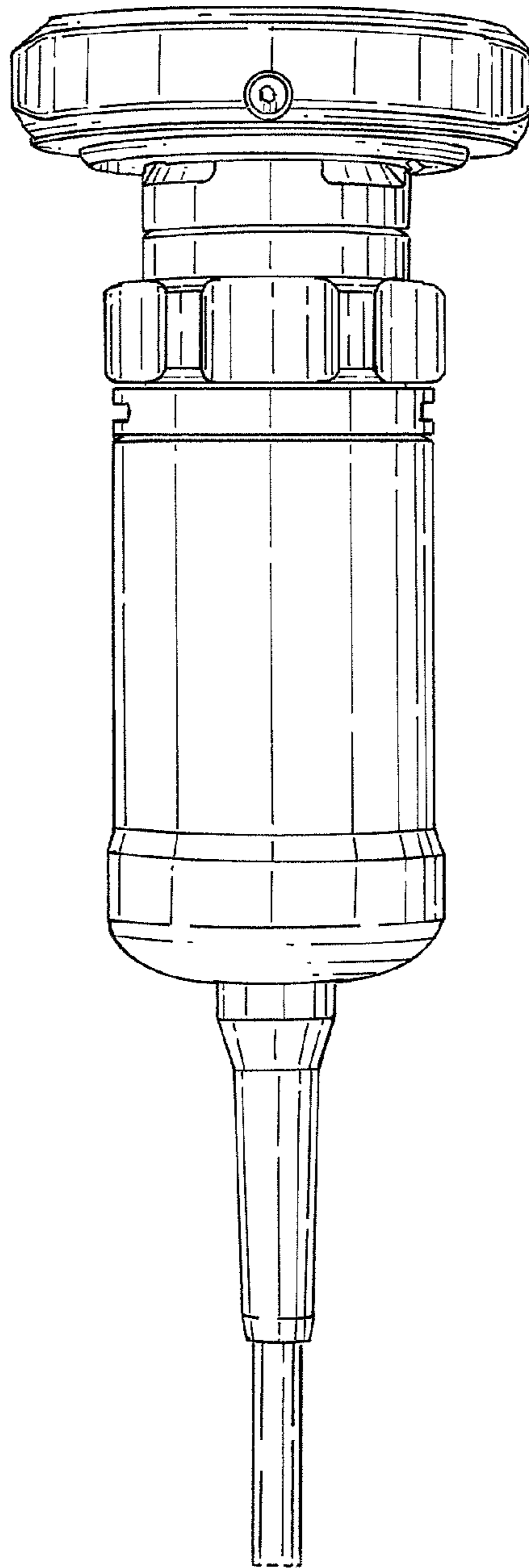


FIG. 4

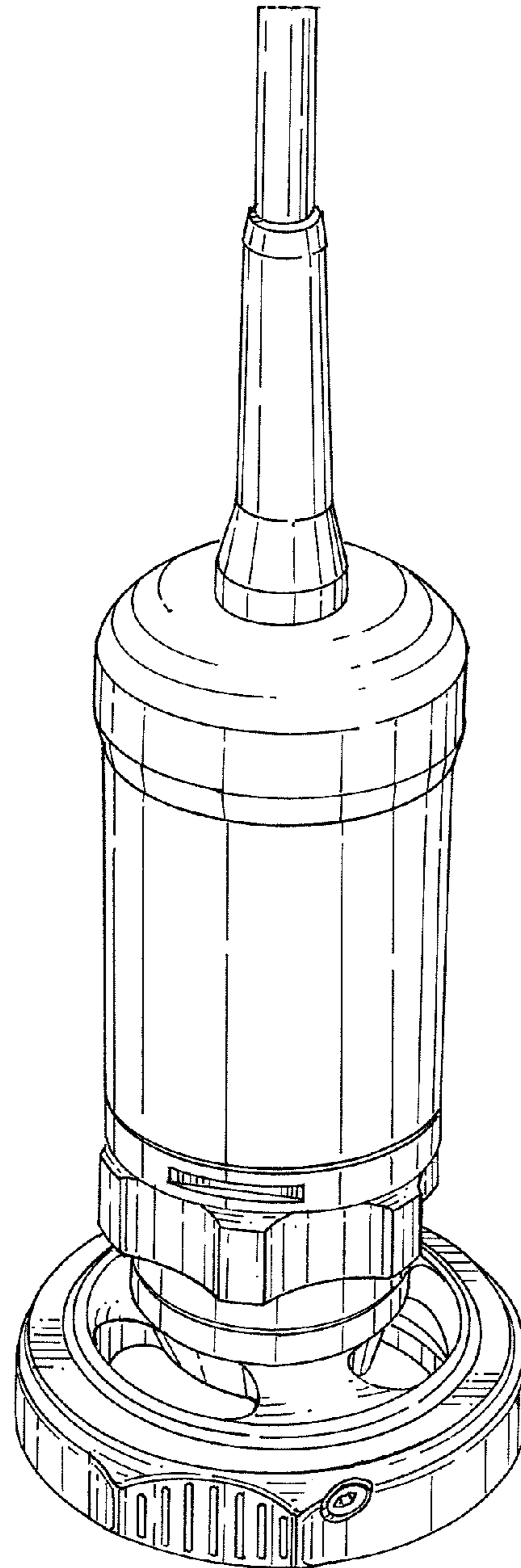


FIG. 5

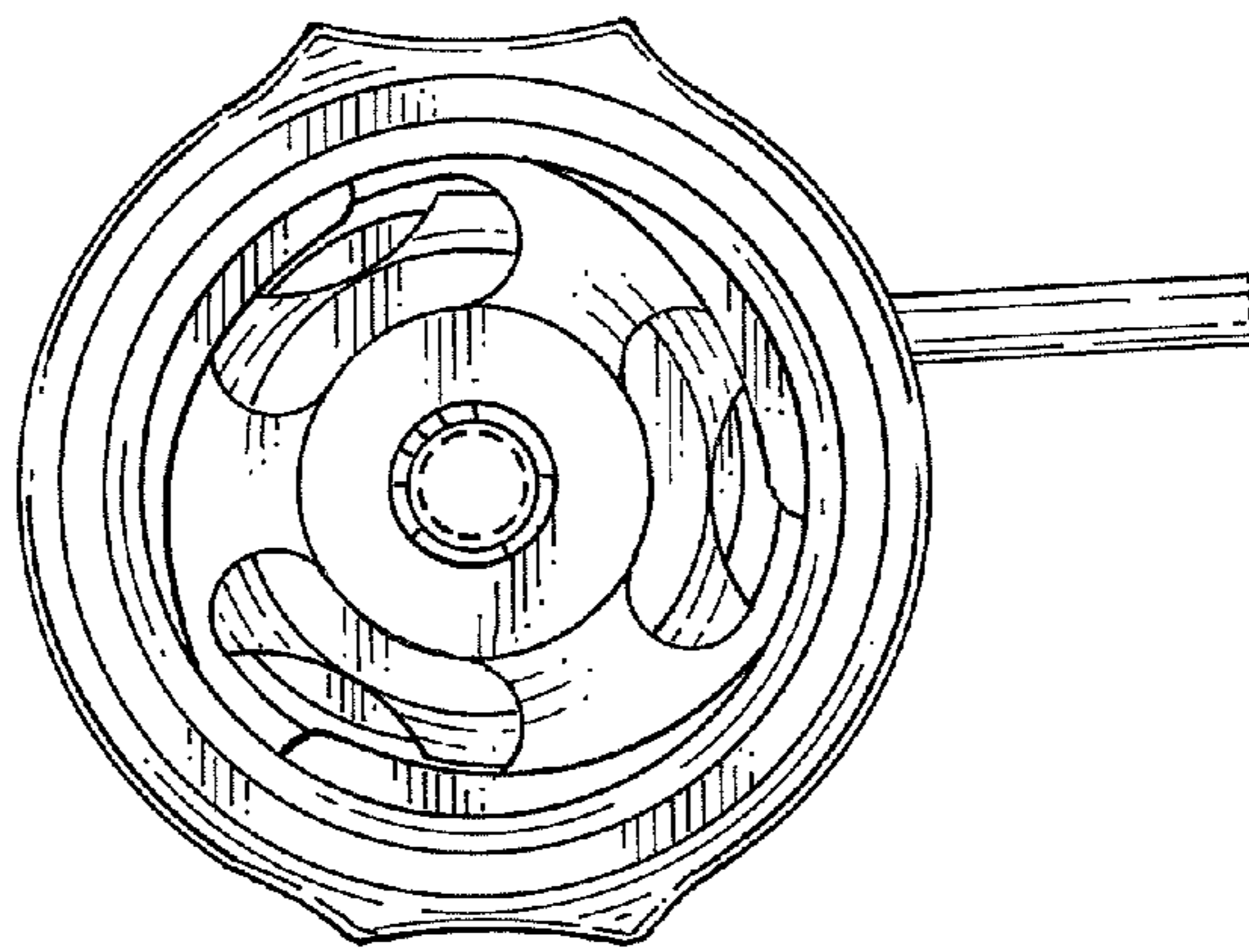


FIG. 6

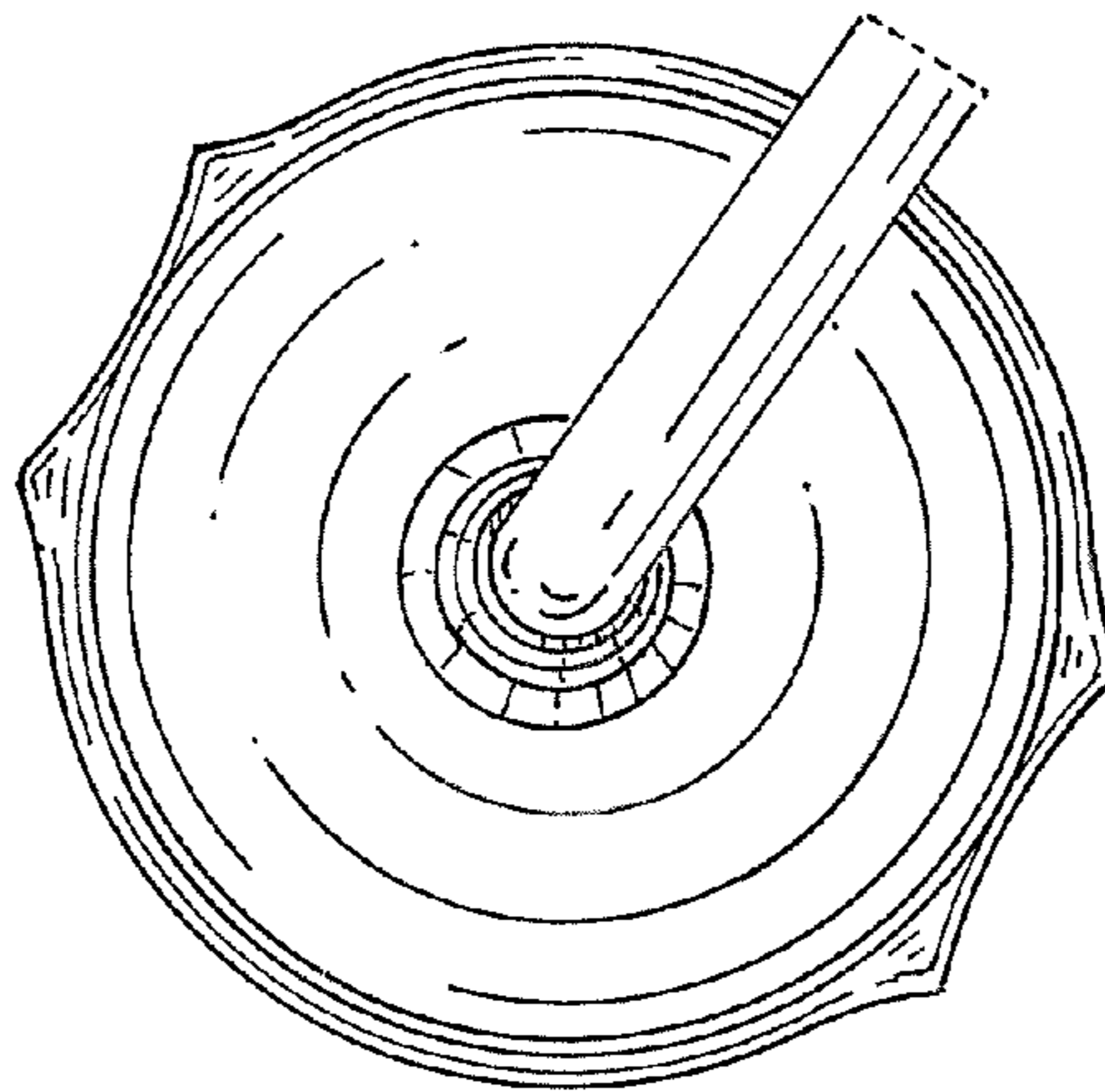


FIG. 7