



US00D673986S

(12) **United States Design Patent**
Harder

(10) **Patent No.:** **US D673,986 S**
(45) **Date of Patent:** **** Jan. 8, 2013**

(54) **MACHINE FRAME WITH BELT CONVEYOR AND LOAD LIFTING APPARATUS FOR SLICERS**

(75) Inventor: **Andreas Harder**, Marburg (DE)

(73) Assignee: **Weber Maschinenbau GmbH Breidenbach**, Breidenbach (DE)

(**) Term: **14 Years**

(21) Appl. No.: **29/412,640**

(22) Filed: **Feb. 6, 2012**

(30) **Foreign Application Priority Data**

Aug. 5, 2011 (EM) 001288187-0016

(51) **LOC (9) Cl.** **15-09**

(52) **U.S. Cl.** **D15/127**

(58) **Field of Classification Search** D6/465, D6/479, 510; D15/122, 127, 140; D21/669, D21/688, 691, 694; D34/12; 53/203, 266.1, 53/285, 558; 100/4, 8, 25, 26, 29, 32
See application file for complete search history.

(56) **References Cited**

U.S. PATENT DOCUMENTS

4,204,391 A * 5/1980 Clayton et al. 57/1 R
D265,575 S * 7/1982 Lunford D21/691
D301,361 S * 5/1989 Harlan D21/691
D314,102 S * 1/1991 Yau Kee D6/465

5,044,632 A * 9/1991 Jones 482/138
D420,073 S * 2/2000 Alessandri D21/694
6,174,034 B1 * 1/2001 Benner et al. 312/265.4
D437,371 S * 2/2001 Webber et al. D21/694
D480,773 S * 10/2003 Suchanek et al. D21/694
D526,692 S * 8/2006 Ayton D21/686
D567,271 S * 4/2008 Vine D15/145
7,478,890 B2 * 1/2009 Hudz et al. 312/265.4
D610,847 S * 3/2010 Birsal et al. D6/510
D613,353 S * 4/2010 Bulva et al. D21/694
2010/0257758 A1 * 10/2010 Bengtsson et al. 37/411

* cited by examiner

Primary Examiner — Patricia Palasik

(74) *Attorney, Agent, or Firm* — Rader, Fishman & Grauer, PLLC

(57) **CLAIM**

The ornamental design for a machine frame with belt conveyor and load lifting apparatus for slicers, as shown and described.

DESCRIPTION

FIG. 1 shows a perspective view of the front, right top side of the design,

FIG. 2 shows a plan view of the bottom side of the design,

FIG. 3 shows an elevation view of the rear side of the design,

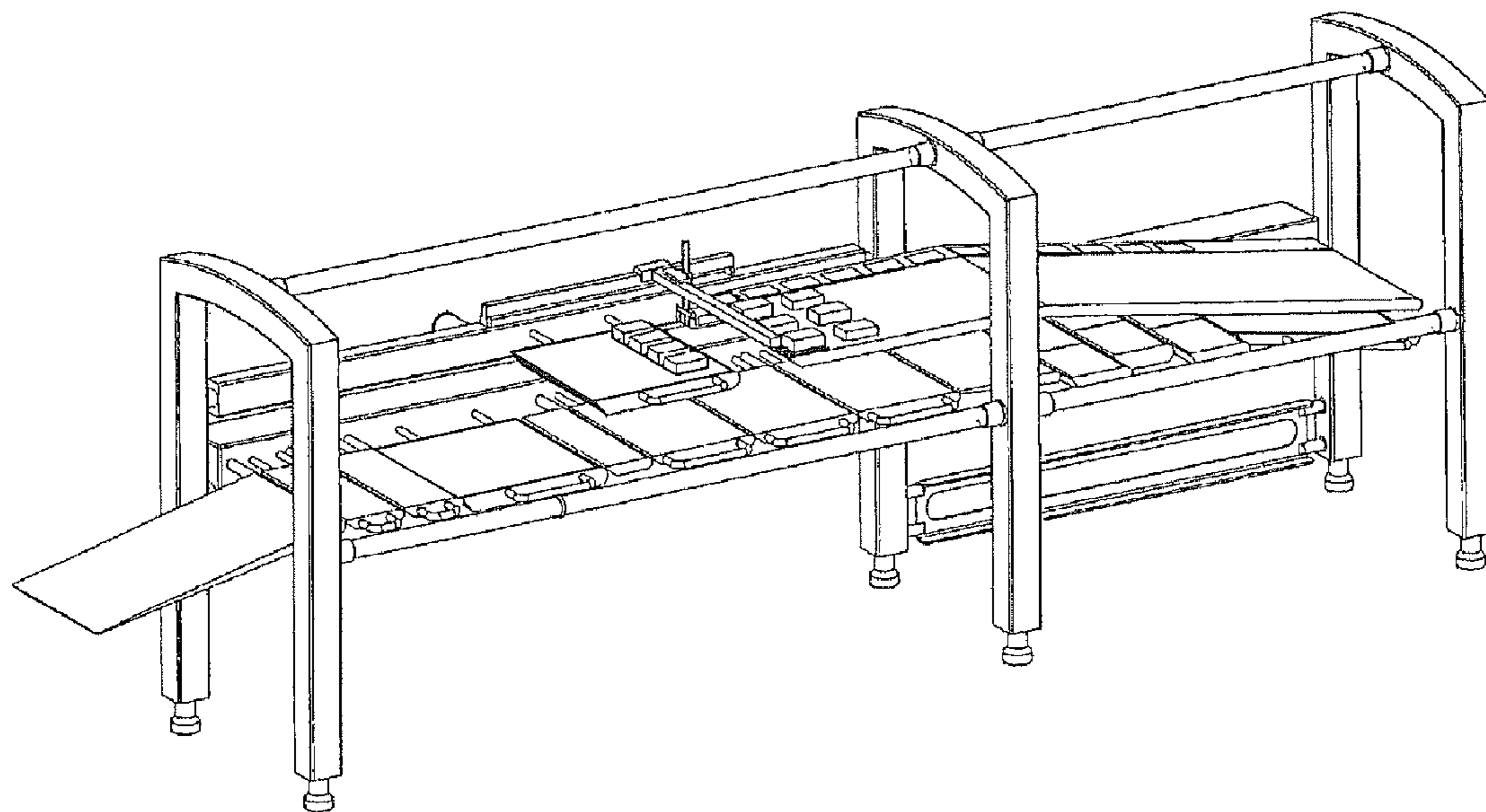
FIG. 4 shows an elevation view of the right side of the design,

FIG. 5 shows an elevation view of the front side of the design,

FIG. 6 shows an elevation view of the left side of the design; and,

FIG. 7 shows a plan view of the top side of the design.

1 Claim, 7 Drawing Sheets



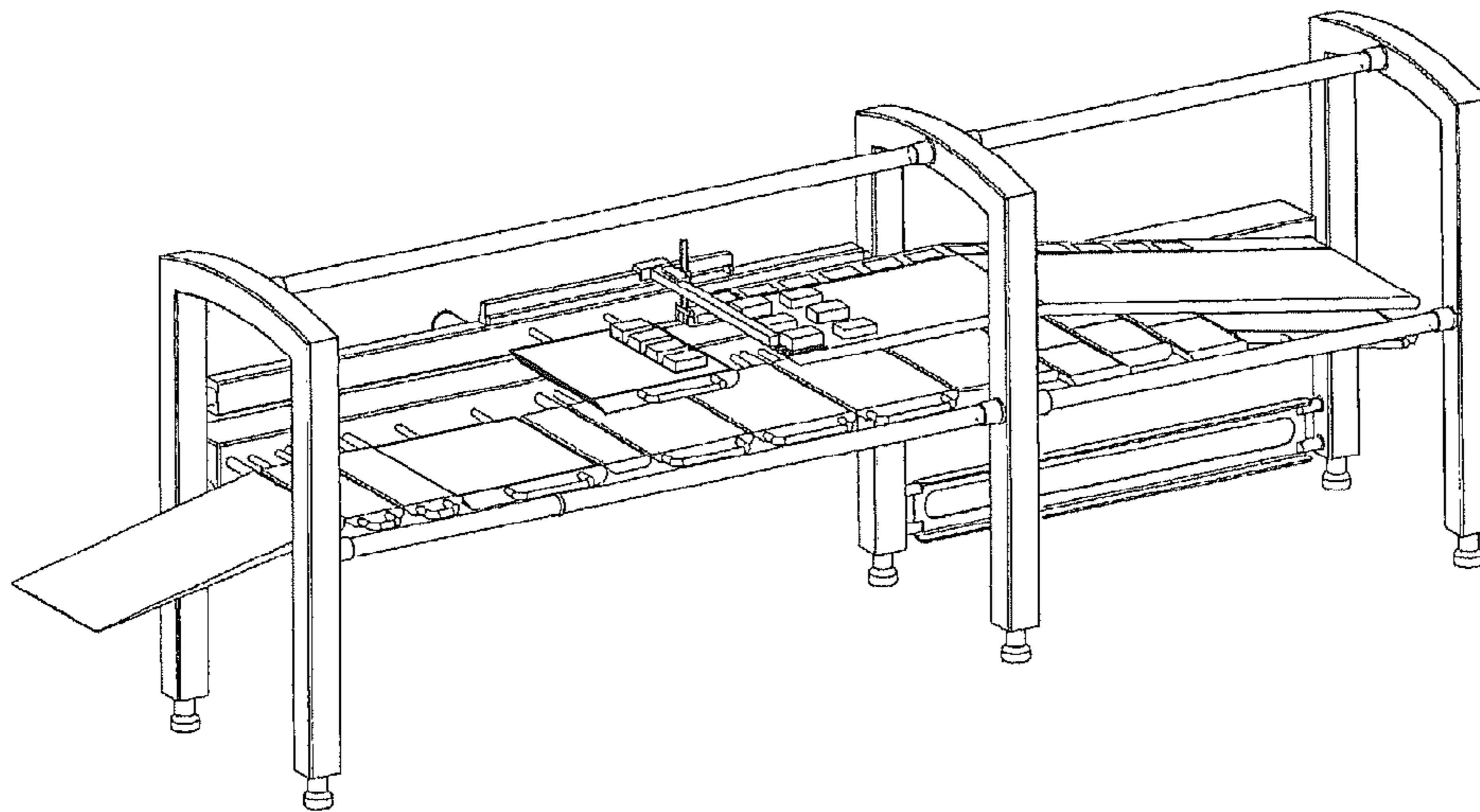


FIG. 1

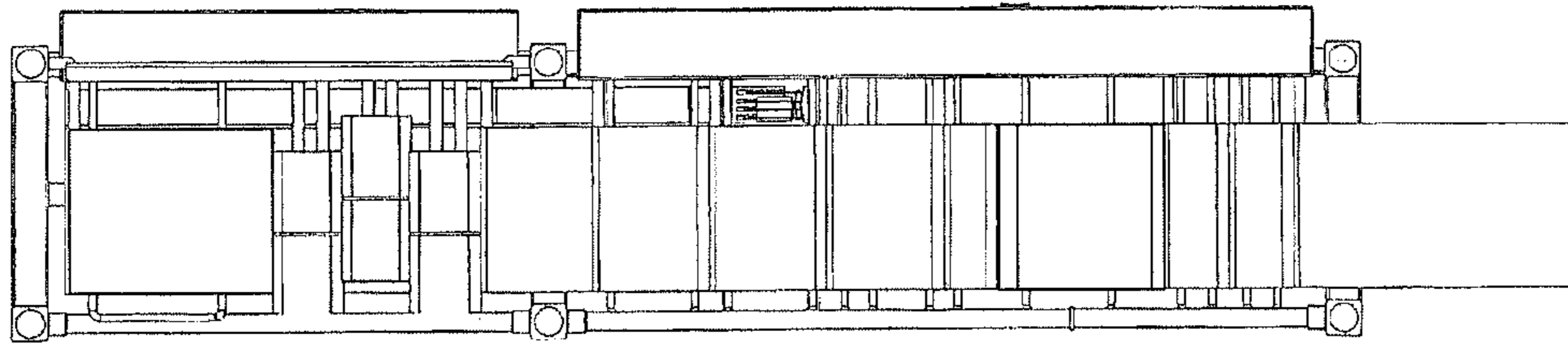


FIG. 2

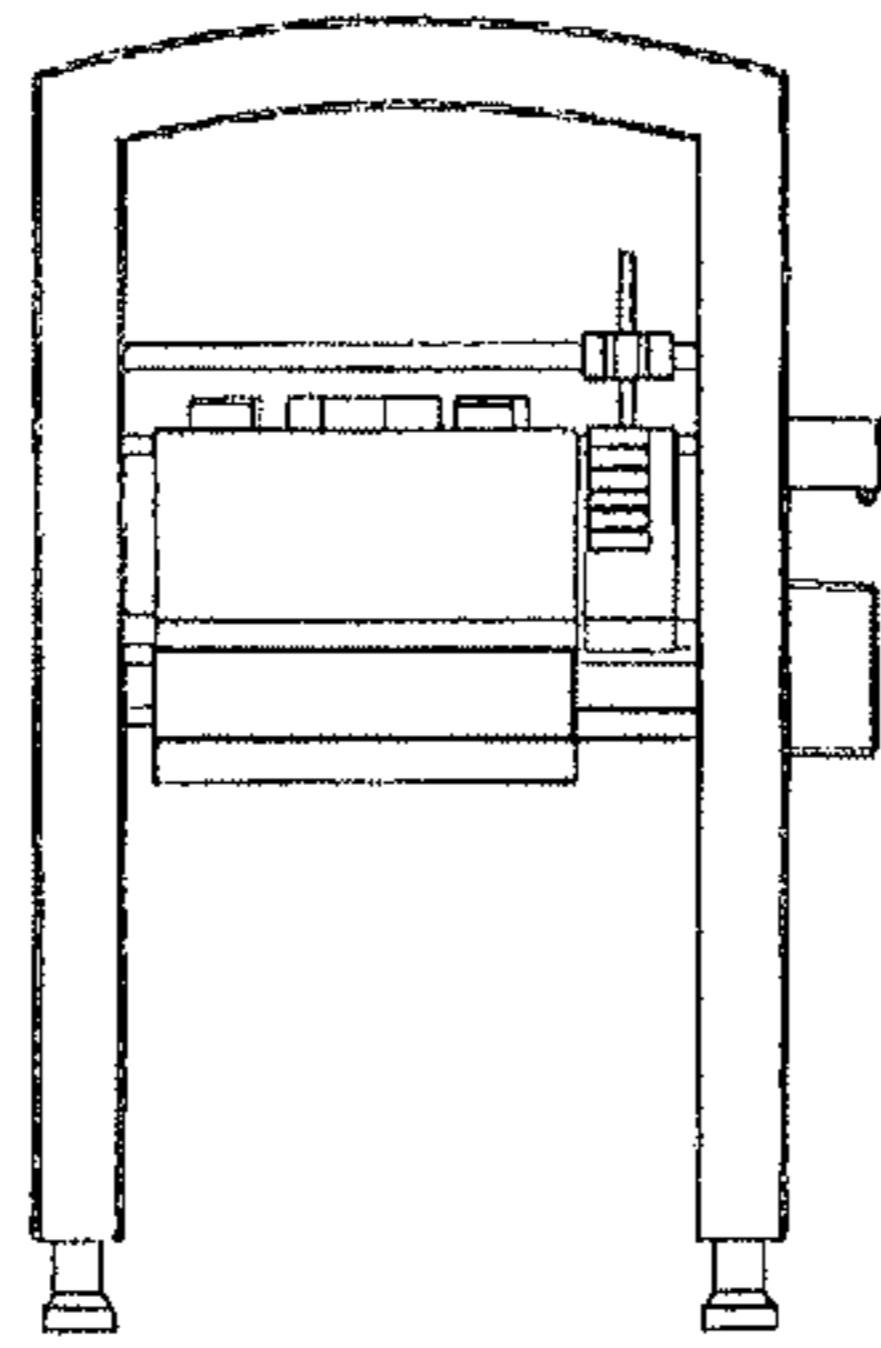


FIG. 3

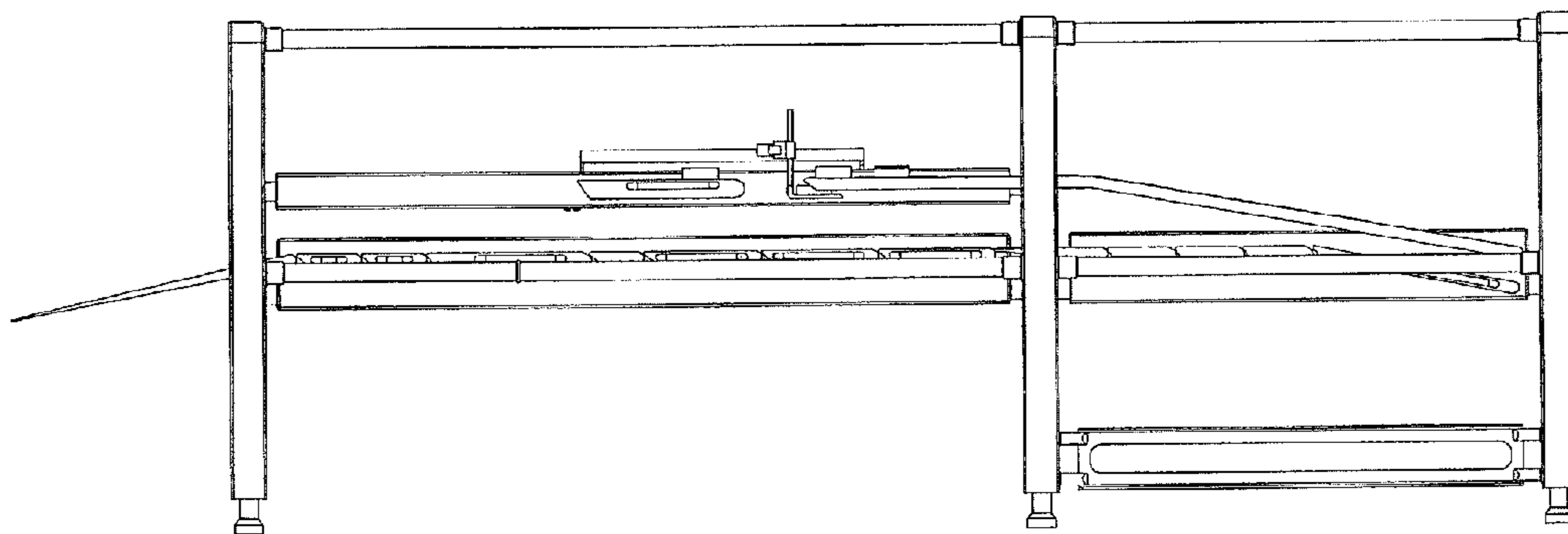


FIG. 4

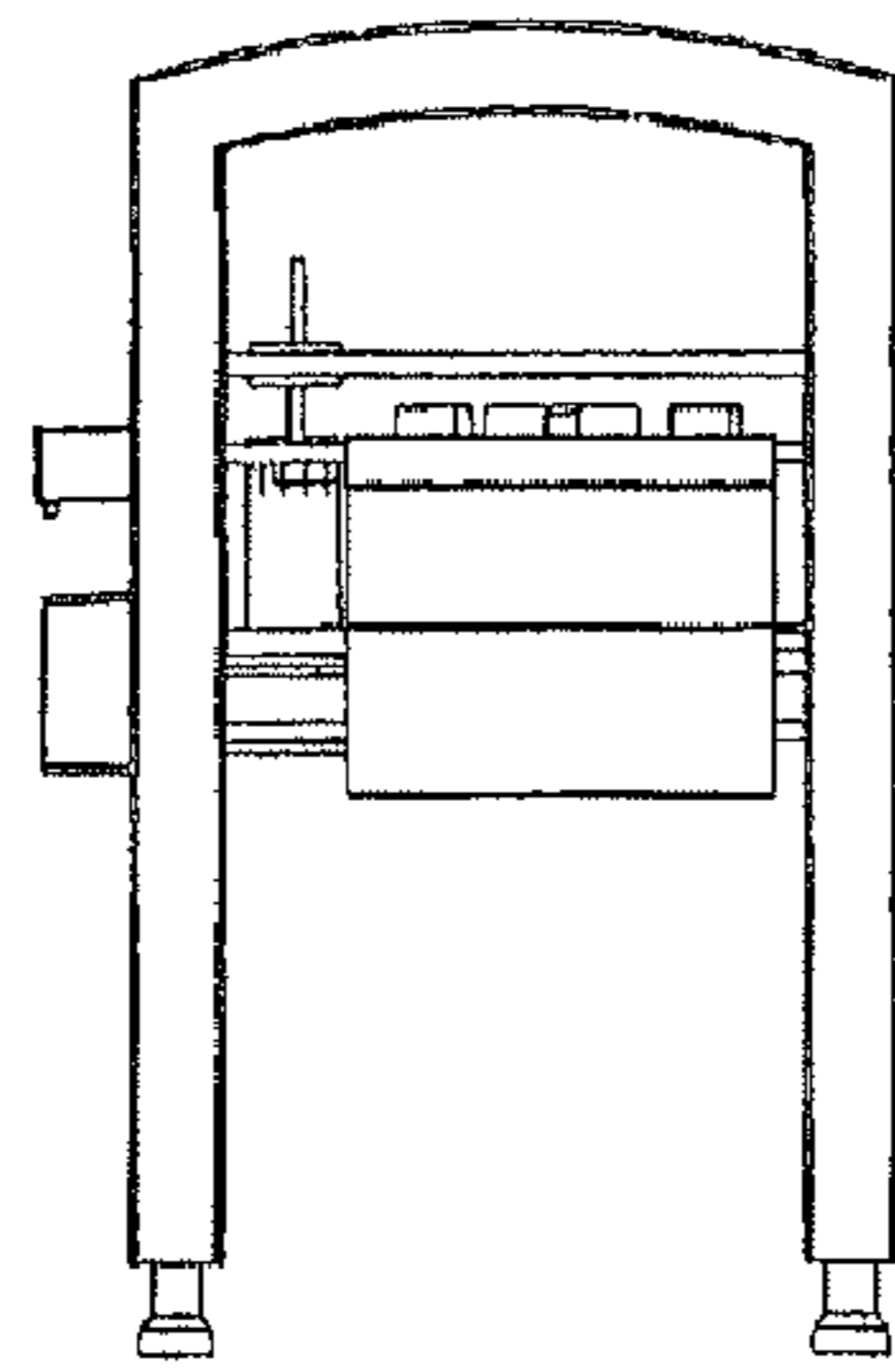


FIG. 5

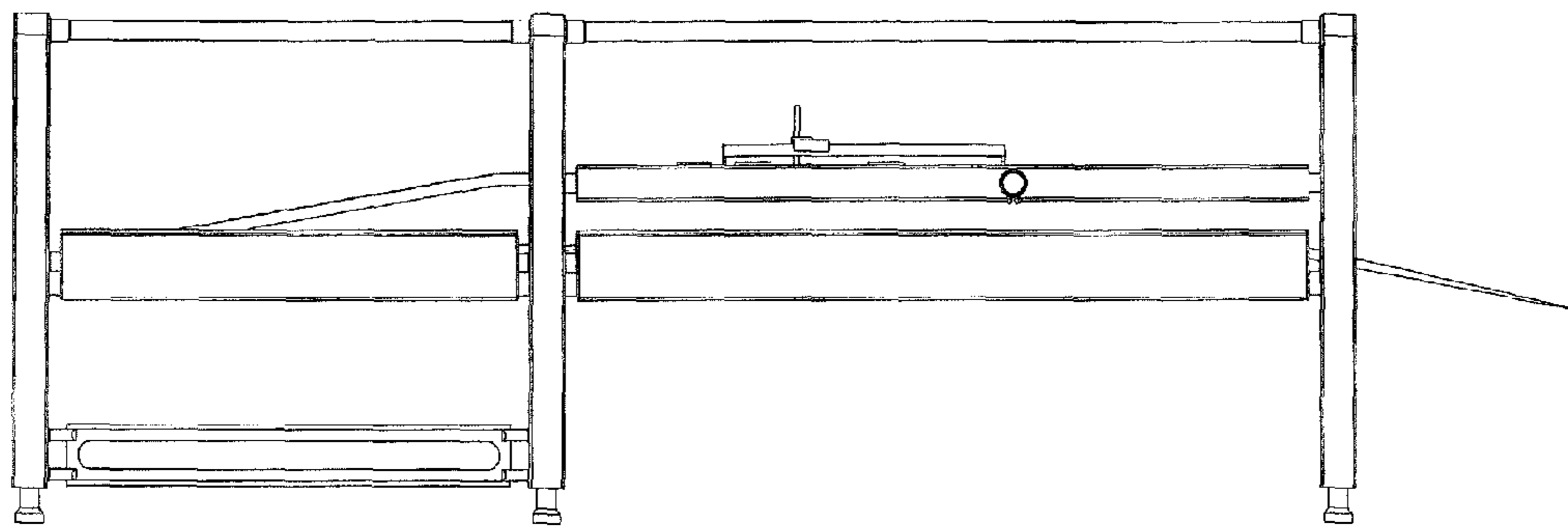


FIG. 6

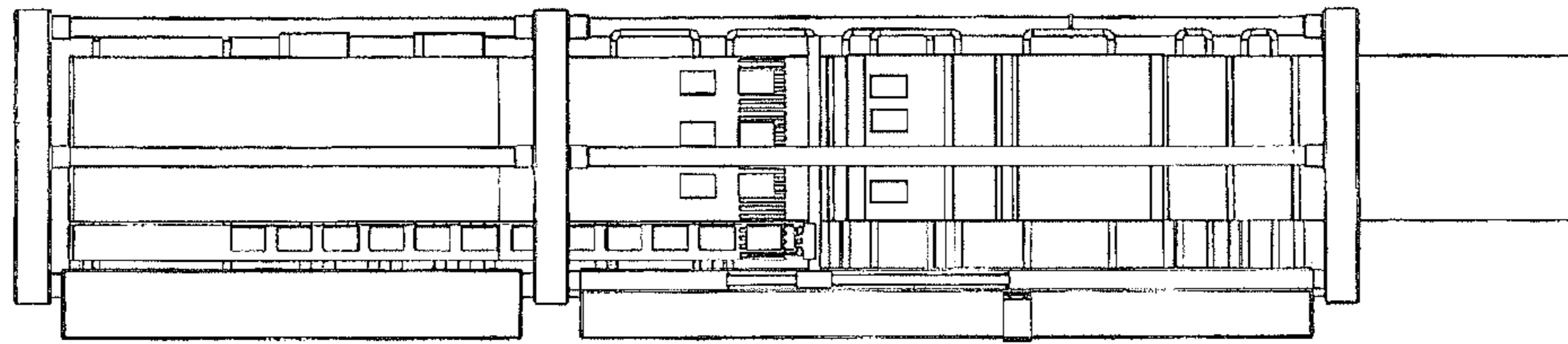


FIG. 7