



US00D673985S

(12) **United States Design Patent**
Surowaniec

(10) **Patent No.:** **US D673,985 S**
(45) **Date of Patent:** **** Jan. 8, 2013**

(54) **OPTICAL DISC RESTORATION MACHINE WITH DOOR OPEN**

(75) Inventor: **Marusz Surowaniec**, Thompson, CT (US)

(73) Assignee: **Venmill Industries Incorporated**, Uxbridge, MA (US)

(**) Term: **14 Years**

(21) Appl. No.: **29/422,281**

(22) Filed: **May 18, 2012**

(51) **LOC (9) Cl.** **15-09**

(52) **U.S. Cl.** **D15/124**

(58) **Field of Classification Search** D8/62, D8/63; D14/299, 363, 368; D15/122, 124, D15/125, 126; 15/21.1, 77, 88.2, 88.3, 102, 15/256.51; 51/7, 41, 287; 144/16; 369/72; 451/2, 59, 60, 63, 72, 254, 258-262, 283, 451/287, 290, 291, 359, 446, 451, 459, 460

See application file for complete search history.

D474,212 S *	5/2003	Domaille et al.	D15/124
6,595,835 B2 *	7/2003	Gadbois	451/66
6,726,527 B2 *	4/2004	Lalli et al.	451/5
6,796,877 B1 *	9/2004	Bingham et al.	451/5
6,869,344 B2	3/2005	Miyahara et al.		
D510,368 S *	10/2005	Narita	D15/124
6,960,122 B2 *	11/2005	Lin	451/285
D585,914 S *	2/2009	Hart	D15/124
D595,317 S *	6/2009	Dinsdale	D15/124
7,625,263 B2	12/2009	Miyahara et al.		
D635,162 S *	3/2011	Johansen	D15/125
8,045,440 B2	10/2011	Miyahara et al.		
D650,817 S *	12/2011	Schumacher	D15/124
2006/0166610 A1	7/2006	Miyahara		
2011/0143636 A1	6/2011	Miyahara		

* cited by examiner

Primary Examiner — Patricia Palasik

(74) *Attorney, Agent, or Firm* — Hayes Soloway P.C.

(57) **CLAIM**

The ornamental design for an optical disc restoration machine with door open, as shown and described.

DESCRIPTION

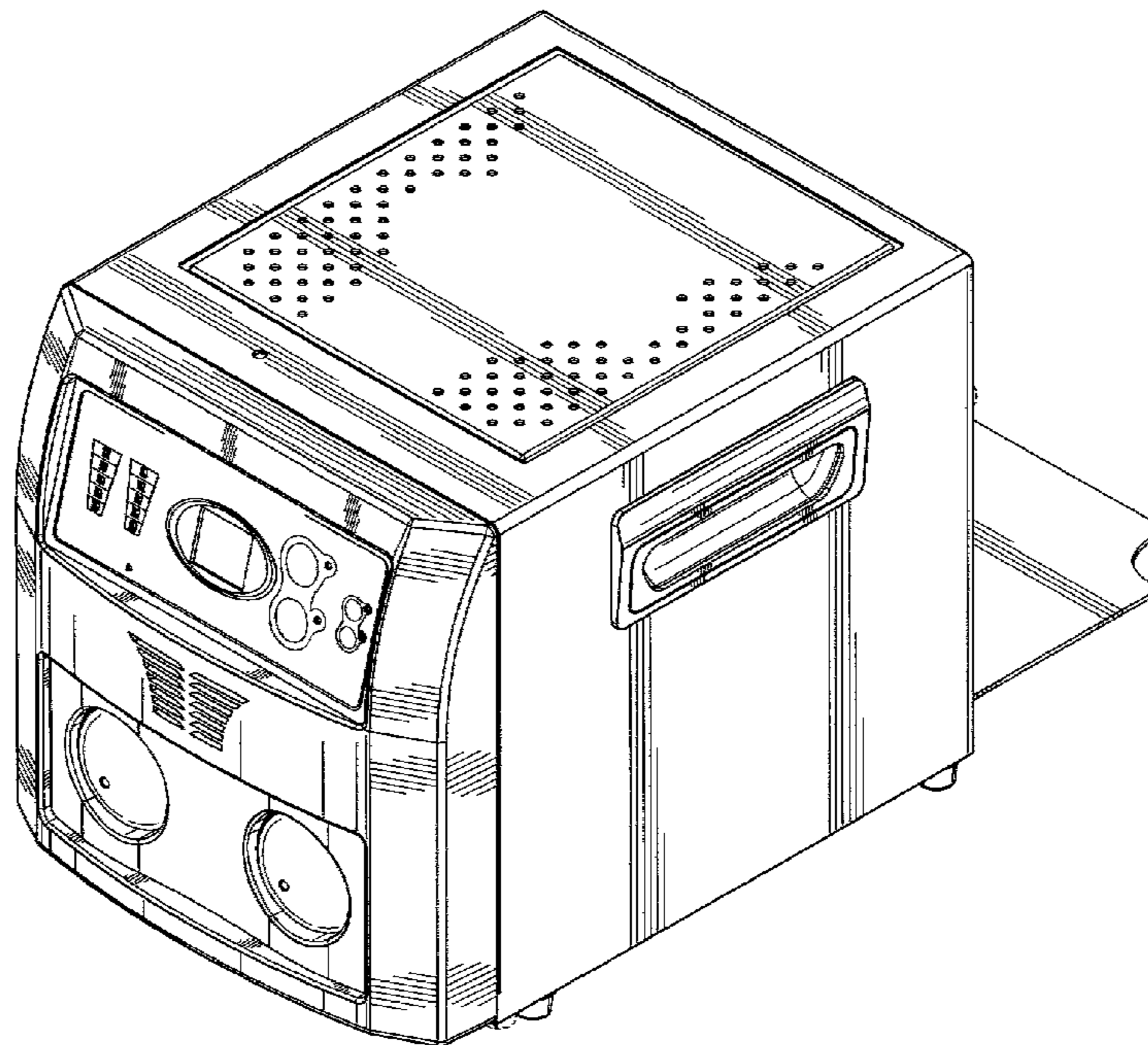
FIG. 1 is a top front right perspective view of an optical disc restoration machine with door open showing the new design; FIG. 2 is a bottom back left perspective view thereof; FIG. 3 is a front view thereof; FIG. 4 is a back view thereof; FIG. 5 is a right side view thereof; FIG. 6 is a top plan view thereof; and, FIG. 7 is a bottom plan view thereof. The broken lines of the machine are for environmental purposes only and form no part of the claimed design.

1 Claim, 7 Drawing Sheets

(56) **References Cited**

U.S. PATENT DOCUMENTS

D138,971 S *	10/1944	Bowen	D15/124
D210,893 S *	4/1968	Fischione	D15/124
4,512,107 A *	4/1985	Jones	451/160
D280,202 S *	8/1985	Aldridge, Jr.	D15/124
4,736,475 A *	4/1988	Ekhoff	451/258
D305,644 S *	1/1990	Rivera et al.	D14/363
D326,463 S *	5/1992	Jacks	D15/125
D390,577 S *	2/1998	Imahashi	D15/124
5,860,181 A	1/1999	Maekawa et al.		
5,954,566 A	9/1999	Bauer		
6,386,946 B1	5/2002	Lin et al.		



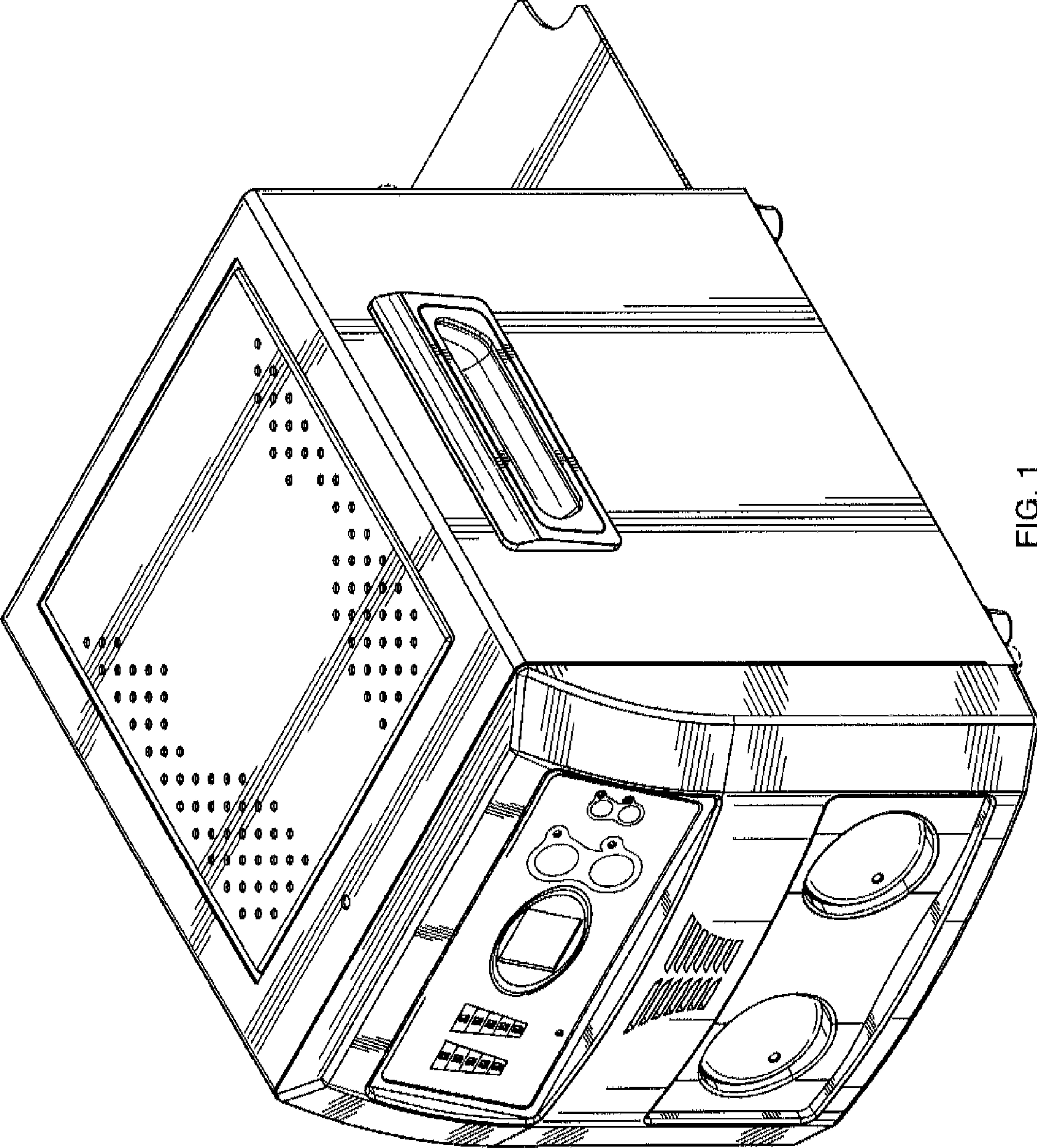


FIG. 1

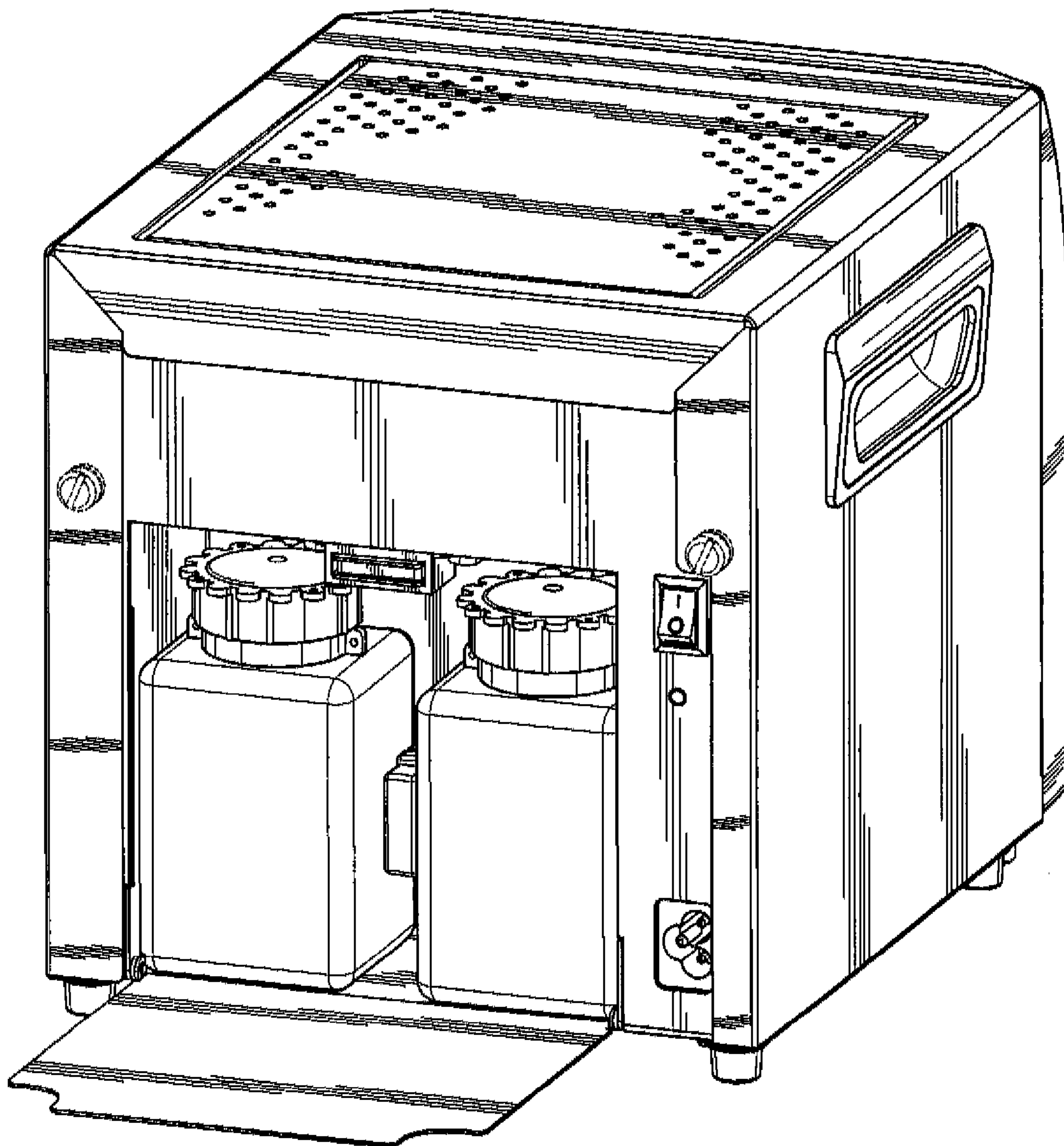


FIG. 2

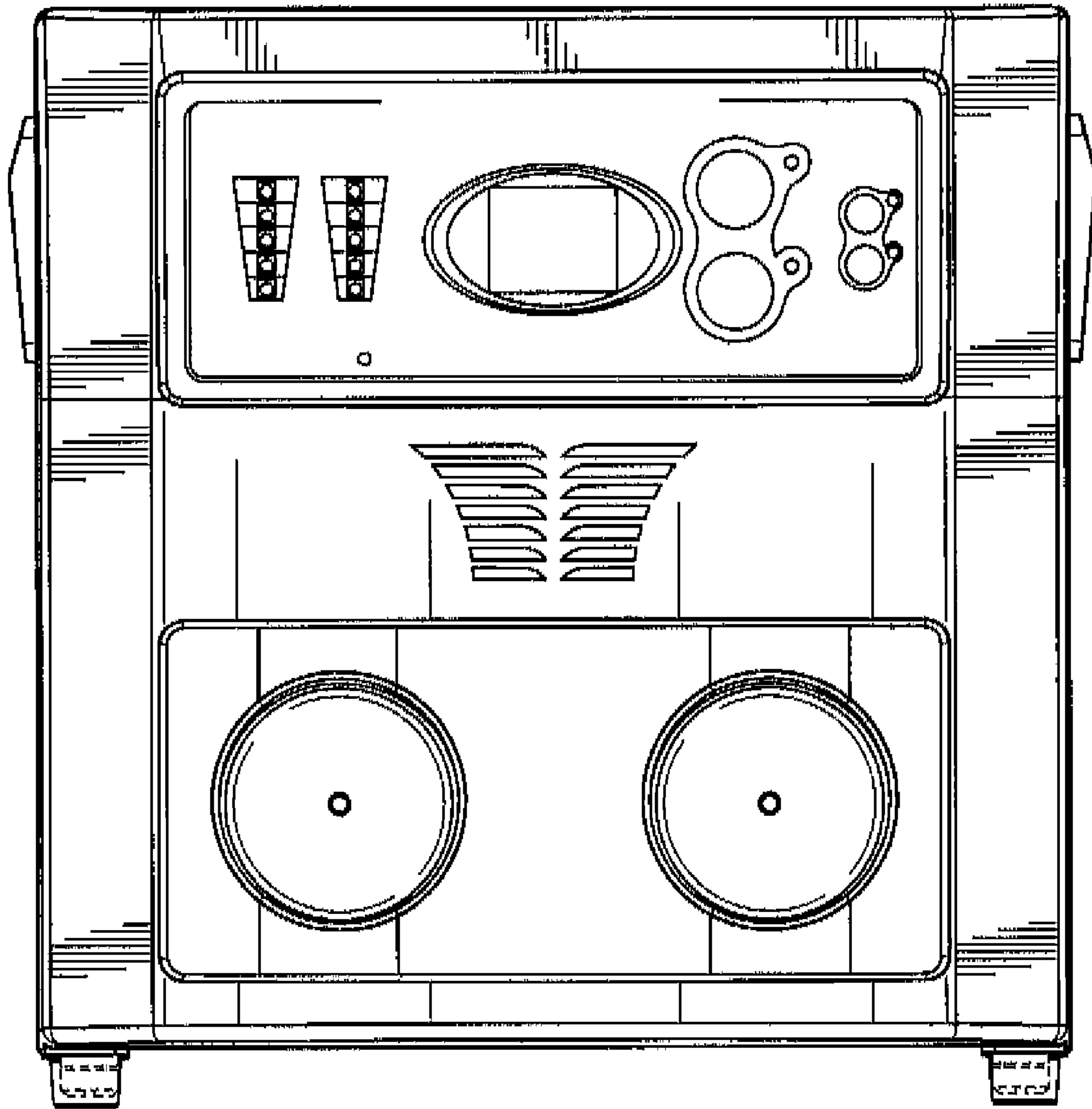


FIG. 3

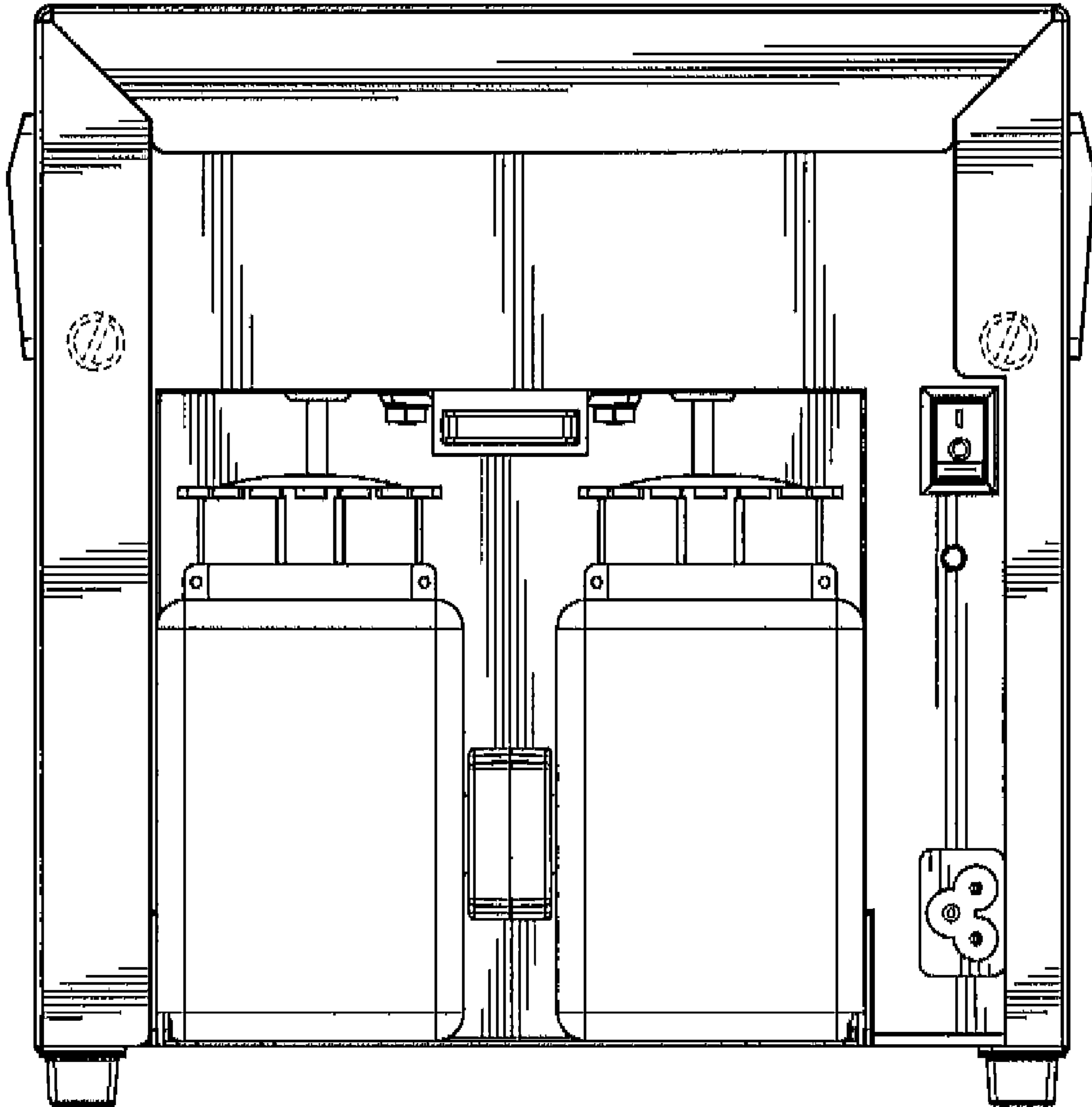


FIG. 4

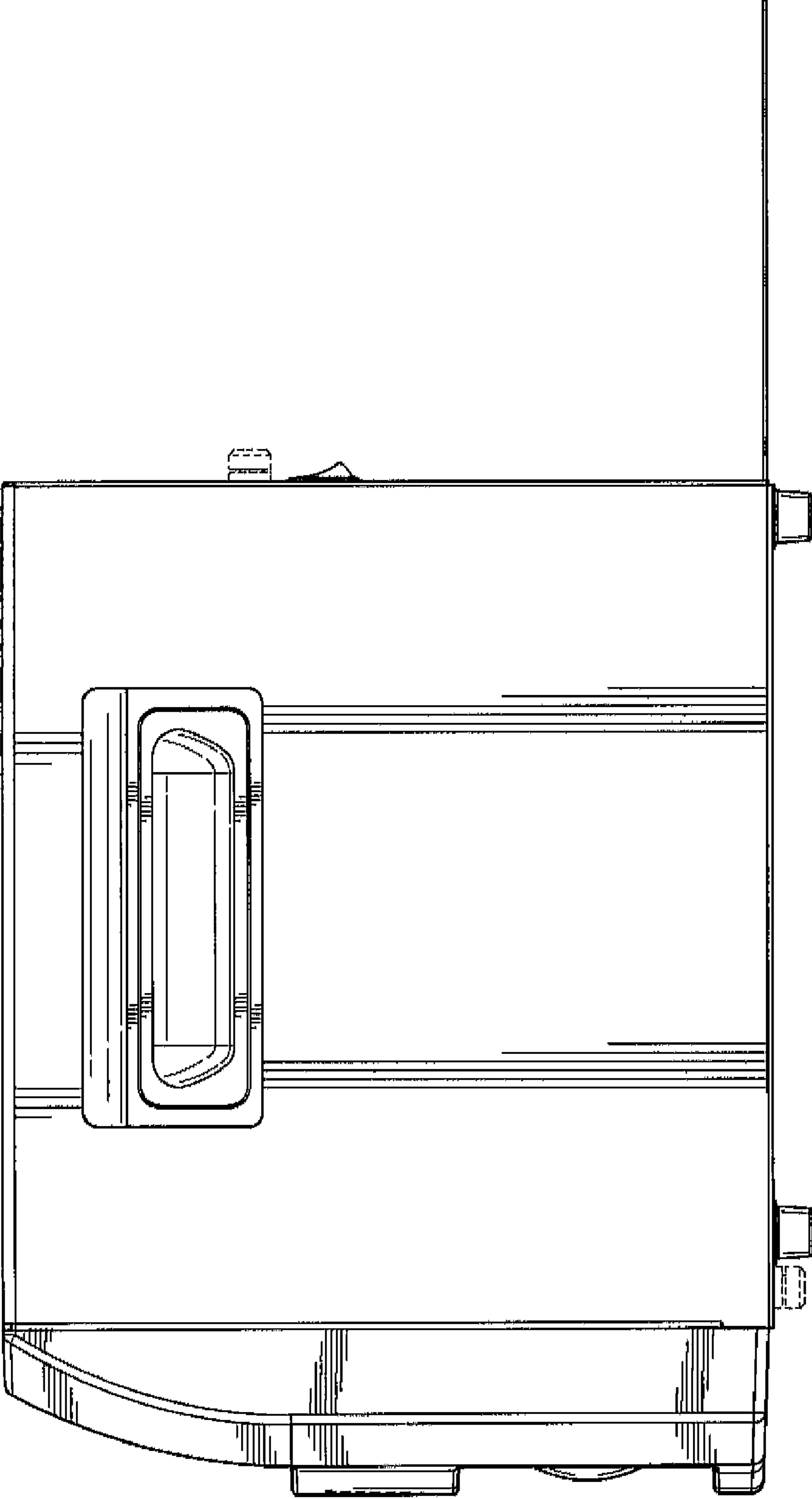


FIG. 5

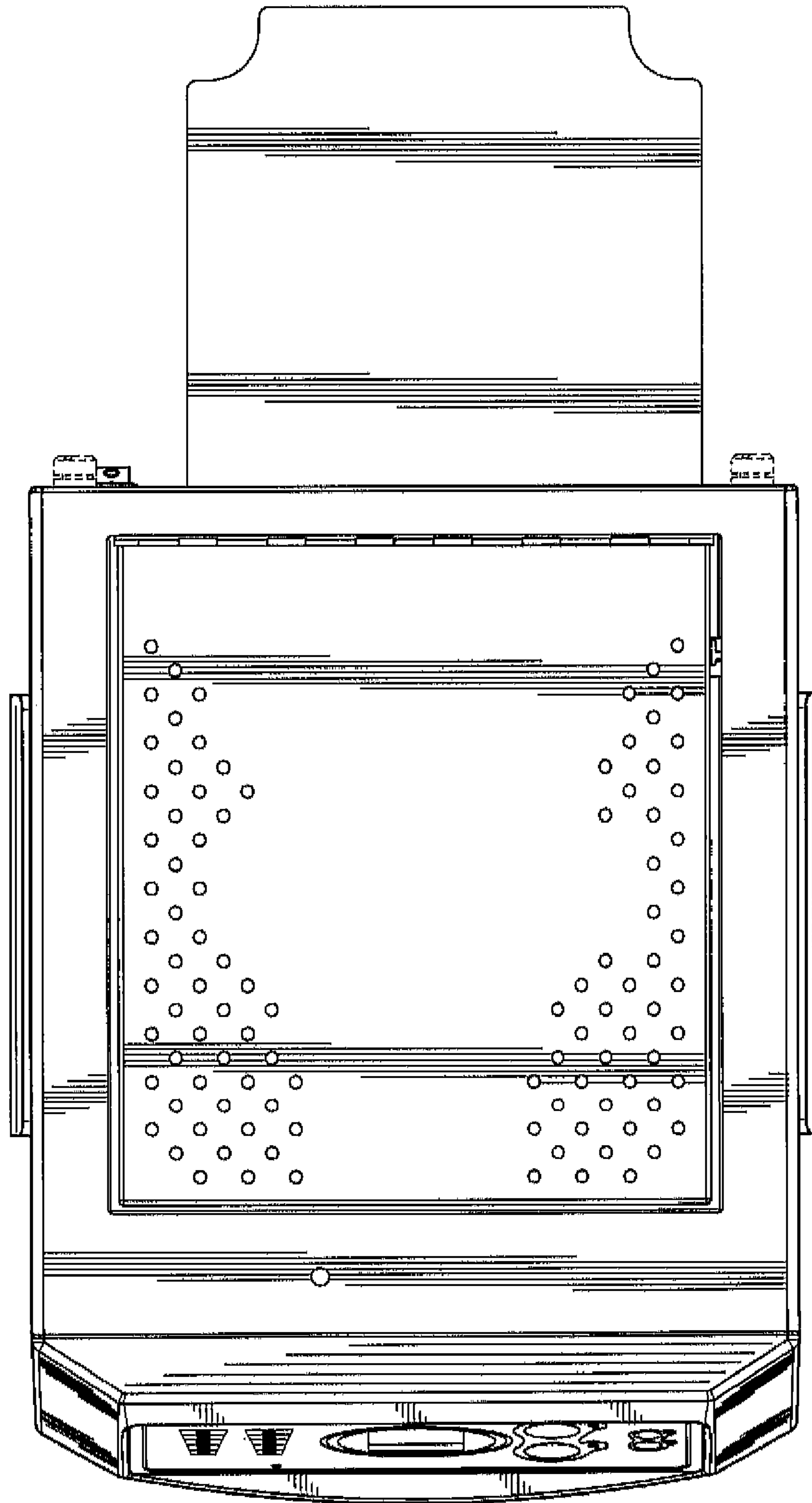


FIG. 6

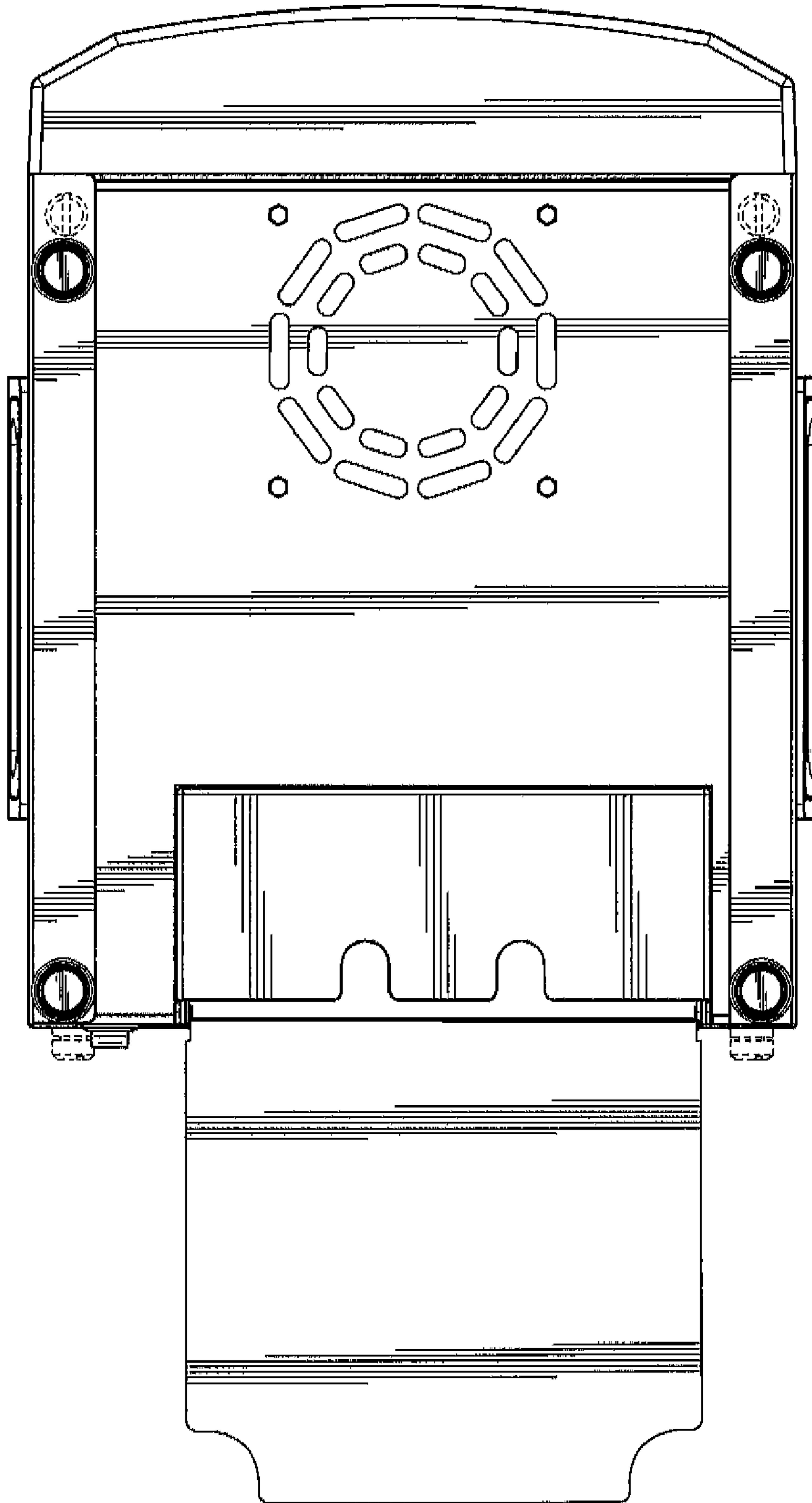


FIG. 7