



US00D673984S

(12) **United States Design Patent**  
**Schmitz et al.**

(10) **Patent No.:** **US D673,984 S**  
(45) **Date of Patent:** **\*\* Jan. 8, 2013**

(54) **CRUSHER BLOCK ASSEMBLY FOR PARTICULATE SIZE REDUCTION SYSTEM**

(75) Inventors: **William Schmitz**, Clymer, NY (US);  
**Daniel P. Smith**, Spencer, MA (US);  
**Craig A. Penterson**, Sutton, MA (US);  
**Richard N. DuVerger**, Danielson, CT (US);  
**Qingsheng Lin**, Holden, MA (US)

(73) Assignee: **Riley Power Inc.**, Worcester, MA (US)

(\*\*) Term: **14 Years**

(21) Appl. No.: **29/410,102**

(22) Filed: **Jan. 4, 2012**

**Related U.S. Application Data**

(60) Continuation of application No. 29/388,211, filed on Mar. 25, 2011, now Pat. No. Des. 660,887, which is a continuation of application No. 12/545,550, filed on Aug. 21, 2009, now Pat. No. 7,913,941, which is a division of application No. 11/818,574, filed on Jun. 15, 2007, now Pat. No. 7,748,655.

(51) **LOC (9) Cl.** ..... **15-09**

(52) **U.S. Cl.** ..... **D15/123**

(58) **Field of Classification Search** ..... D15/123,  
D15/126, 138, 139; 209/134, 139.1, 713;  
241/52, 56, 61, 79.1, 80, 82, 188.1, 188.2,  
241/190, 194, 197, 300; 251/214, 305; 277/399;  
384/147, 207

See application file for complete search history.

(56) **References Cited**

**U.S. PATENT DOCUMENTS**

850,988 A	4/1907	Steimel
2,185,331 A	1/1940	Conway
2,734,686 A	2/1956	Oberhellman
2,962,233 A	11/1960	Chryst, Jr. et al.
4,326,674 A	4/1982	Braun et al.

4,848,682 A	7/1989	Scheler	
4,903,904 A	2/1990	Steimel	
5,257,743 A	11/1993	Brown, Jr.	
5,873,156 A *	2/1999	Wark	29/401.1
6,237,865 B1	5/2001	Luttermann et al.	

(Continued)

**FOREIGN PATENT DOCUMENTS**

EP 912247 B1 5/1999

(Continued)

*Primary Examiner* — Patricia Palasik

(74) *Attorney, Agent, or Firm* — Edwards Wildman Palmer LLP; Joshua L. Jones

(57) **CLAIM**

The ornamental designs for crusher block assembly for particulate size reduction system, as shown and described in the attached specification.

**DESCRIPTION**

FIG. 1 is a top view of a first embodiment of a crusher block assembly for particulate size reduction system in accordance with the present disclosure which is joined directly to a crusher block shown in broken lines;

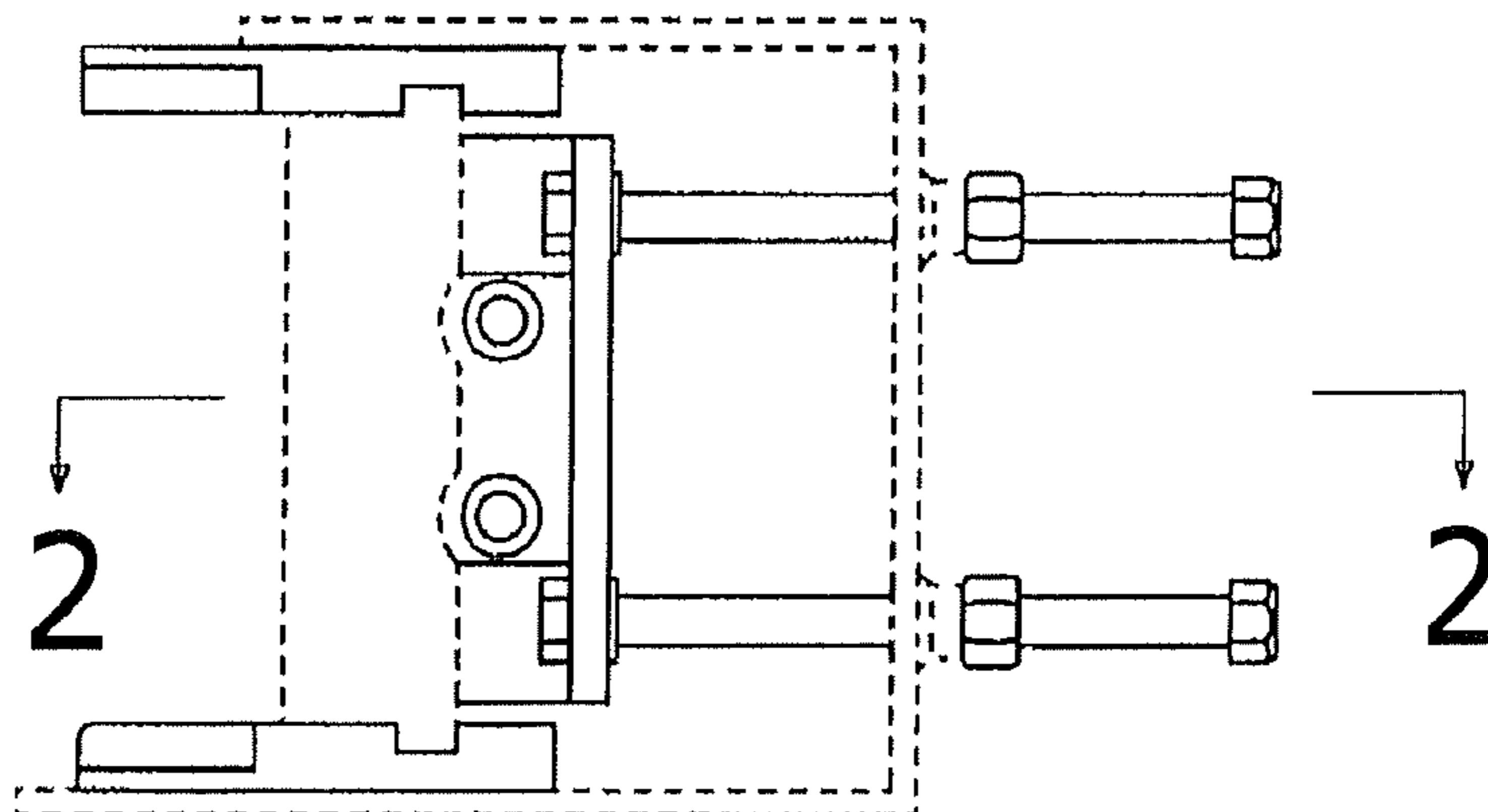
FIG. 2 is a cross-sectional side elevation view of the crusher block assembly for particulate size reduction system of FIG. 1 in accordance with the present disclosure wherein the crusher block and grid are shown in broken lines;

FIG. 3 is a perspective view of the crusher block assembly for particulate size reduction system of FIG. 1 in accordance with the present disclosure; and,

FIGS. 4-5 are a cross-sectional side elevation and top view, respectively, of a second exemplary embodiment of a crusher block assembly for particulate size reduction system, which show an exemplary crusher block in broken lines.

The broken lines in the Figures are for illustrative purposes only, to show the crusher block assembly in its environment, and form no part of the claimed design.

**1 Claim, 3 Drawing Sheets**



# US D673,984 S

Page 2

## U.S. PATENT DOCUMENTS

6,575,303 B1 6/2003 Brock et al.  
7,028,931 B2 4/2006 Lin et al.  
7,240,868 B2 7/2007 Lin et al.  
7,311,281 B2\* 12/2007 Schmitz et al. .... 241/188.2  
D575,807 S \* 8/2008 Lin et al. .... D15/123  
7,575,184 B2\* 8/2009 Reed et al. .... 241/30  
7,748,655 B2\* 7/2010 Schmitz et al. .... 241/188.1  
2006/0180685 A1\* 8/2006 Lin et al. .... 241/79.1  
2008/0308660 A1\* 12/2008 Schmitz et al. .... 241/27  
2009/0039185 A1\* 2/2009 Hiller, Sr. .... 241/27  
2009/0140086 A1\* 6/2009 Thiel ..... 241/27

2009/0308959 A1\* 12/2009 Schmitz et al. .... 241/30  
2010/0059610 A1\* 3/2010 Lehtonen et al. .... 241/30  
2010/0163657 A1\* 7/2010 Lehtonen et al. .... 241/30  
2010/0193616 A1\* 8/2010 Berger et al. .... 241/30  
2010/0219270 A1\* 9/2010 Kerns ..... 241/20  
2011/0068203 A1\* 3/2011 Hoffmann et al. .... 241/30

## FOREIGN PATENT DOCUMENTS

WO WO-97/39828 A1 10/1997  
WO WO-99/47263 A1 9/1999

\* cited by examiner

Fig. 1

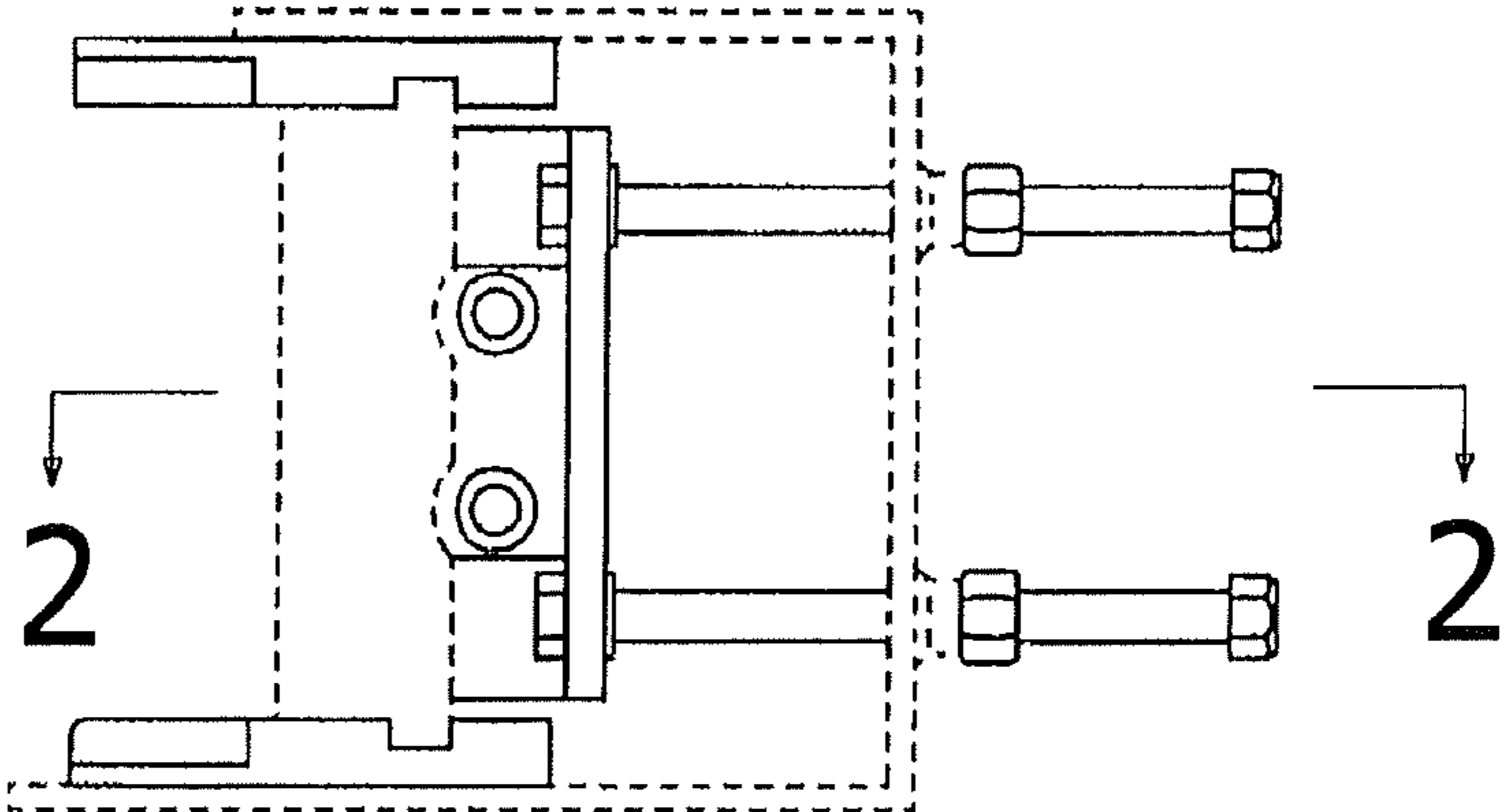


Fig. 2

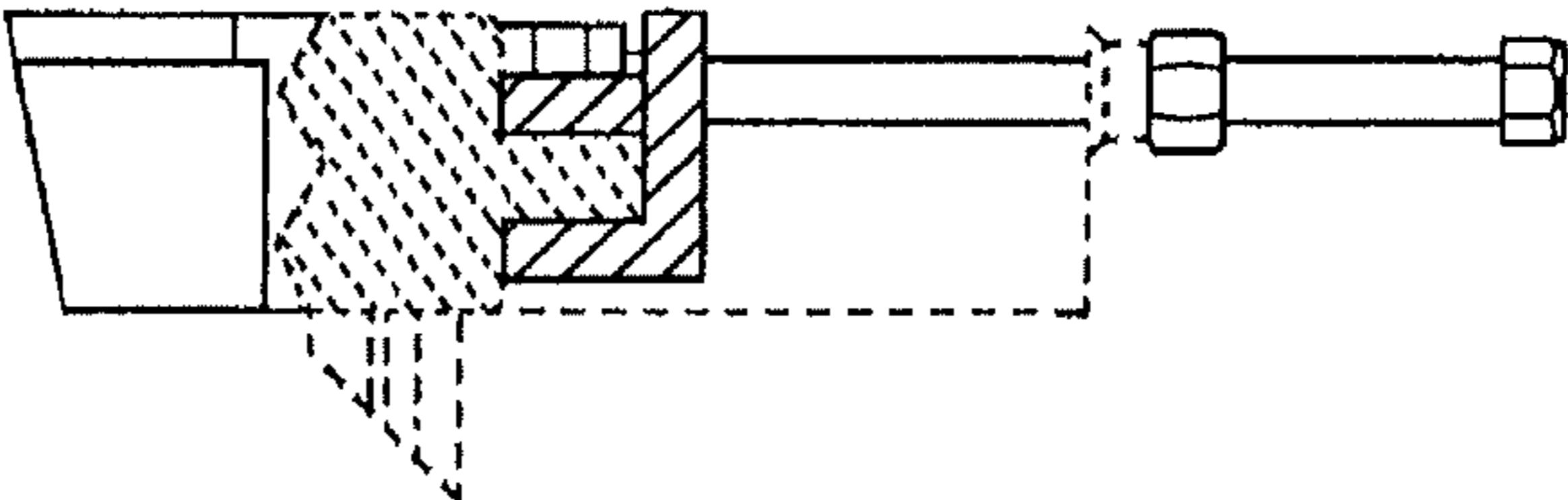
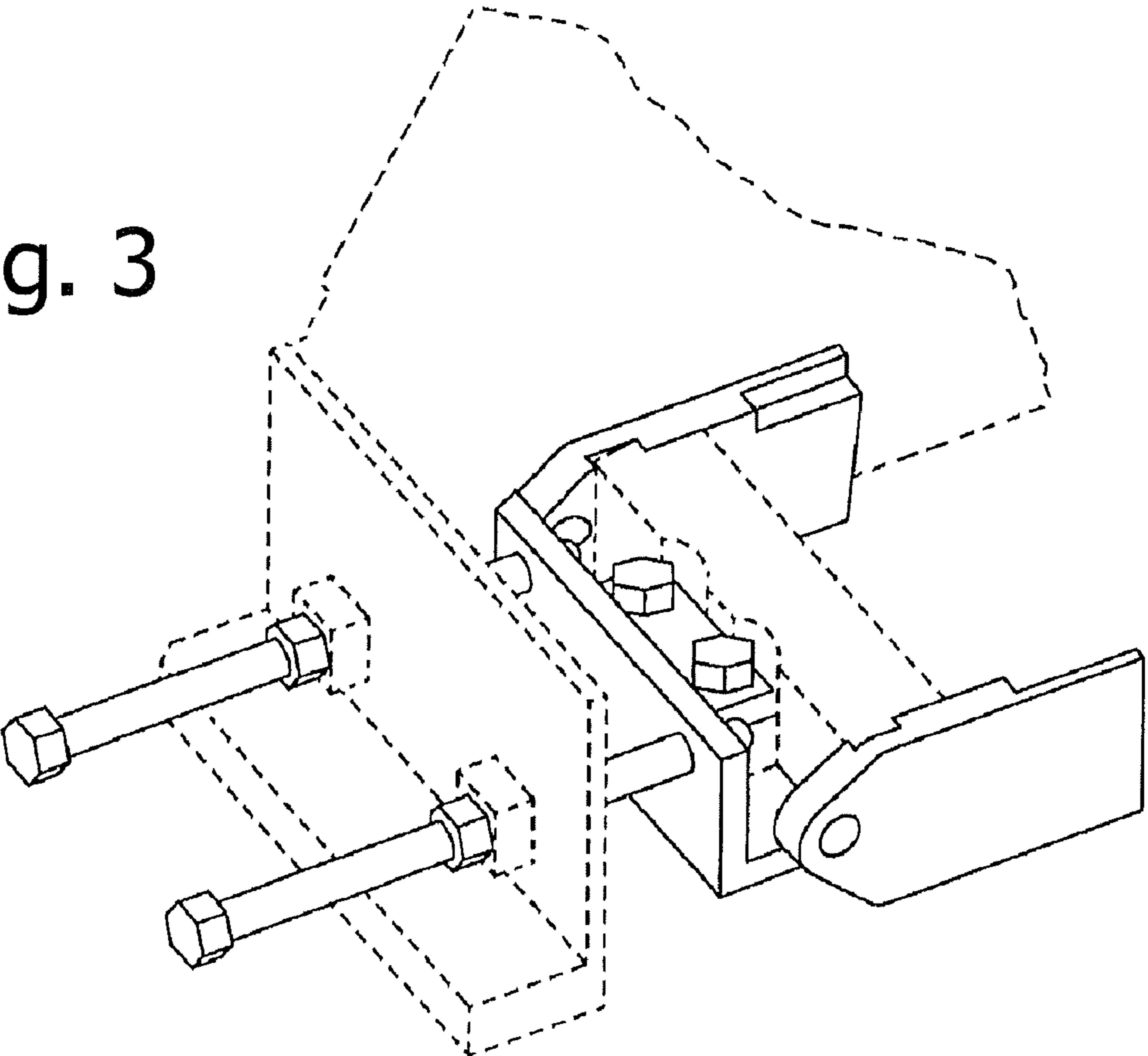


Fig. 3



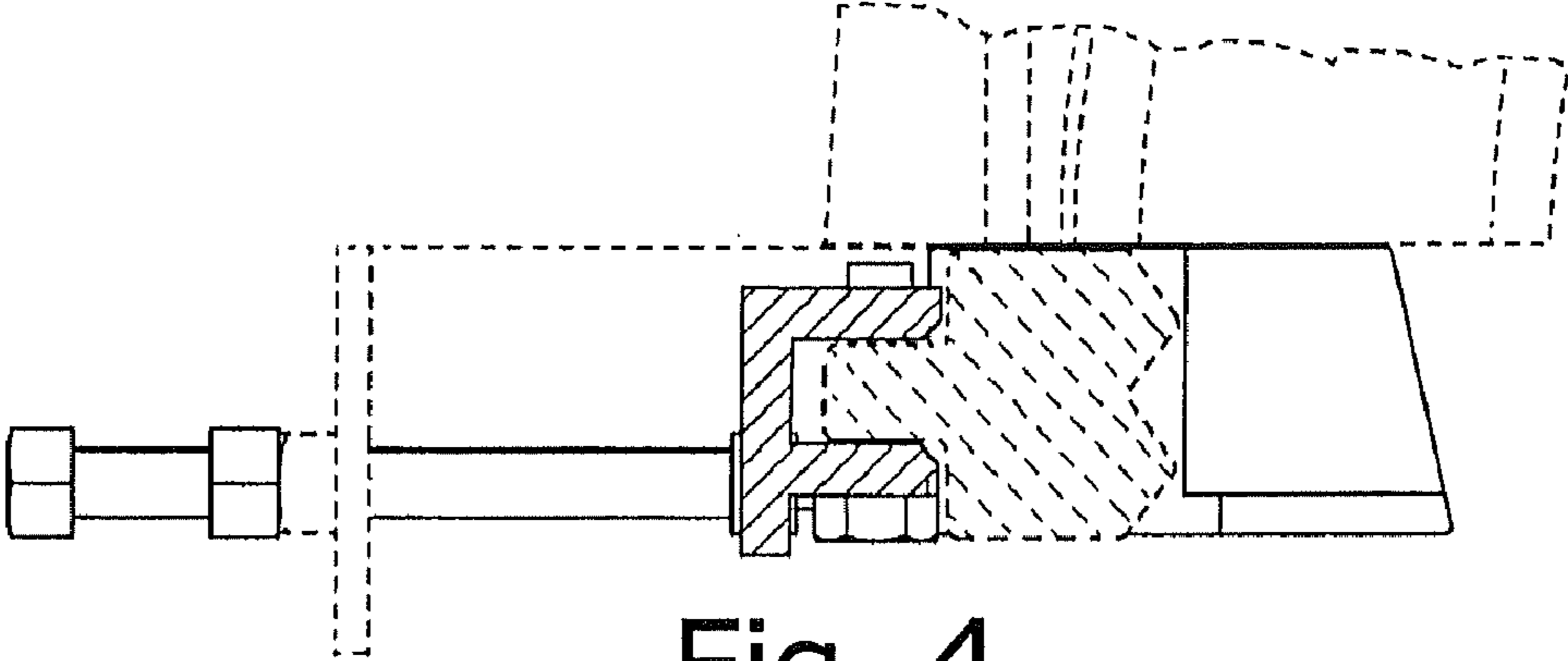


Fig. 4

Fig. 5

