



US00D673980S

(12) **United States Design Patent**  
**Tiefenthaler**

(10) **Patent No.:** **US D673,980 S**  
(45) **Date of Patent:** **\*\* Jan. 8, 2013**

- (54) **RECOIL STARTER COVER**
- (75) Inventor: **Carl T. Tiefenthaler**, Jackson, WI (US)
- (73) Assignee: **Briggs & Stratton Corporation**,  
Wauwatosa, WI (US)
- (\*\*) Term: **14 Years**
- (21) Appl. No.: **29/429,800**
- (22) Filed: **Aug. 16, 2012**

D619,620 S 7/2010 Mayer et al.  
 D668,264 S 10/2012 Tiefenthaler  
 2004/0107935 A1\* 6/2004 Nieda et al. .... 123/185.3

**OTHER PUBLICATIONS**

U.S. Appl. No. 29/387,397, filed Mar. 11, 2011, Tiefenthaler Carl T. Briggs & Stratton 700 Series DOV engine, downloaded from website www.usinenouvelle.com/industry/briggs-et-stratton-635/briggs-stratton-series-dov-p57879.html on Jun. 14, 2011, 3 pages.  
 Professional Series 875 and 700 Series DOV engines, downloaded from website www.briggsandstratton.com/engines/push-mower on Jun. 14, 2011, 4 pages.

\* cited by examiner

*Primary Examiner* — T. Chase Nelson  
*Assistant Examiner* — Ania Aman

(74) *Attorney, Agent, or Firm* — Foley & Lardner LLP

**Related U.S. Application Data**

- (62) Division of application No. 29/387,397, filed on Mar. 11, 2011, now Pat. No. Des. 668,264.
- (51) **LOC (9) Cl.** ..... **15-01**
- (52) **U.S. Cl.** ..... **D15/5**
- (58) **Field of Classification Search** ..... D15/143,  
D15/5, 1, 2, 3, 4, 6; D23/233; D13/147;  
251/129.01, 129.15  
See application file for complete search history.

(57) **CLAIM**

I claim the ornamental design for a recoil starter cover, as shown and described.

**DESCRIPTION**

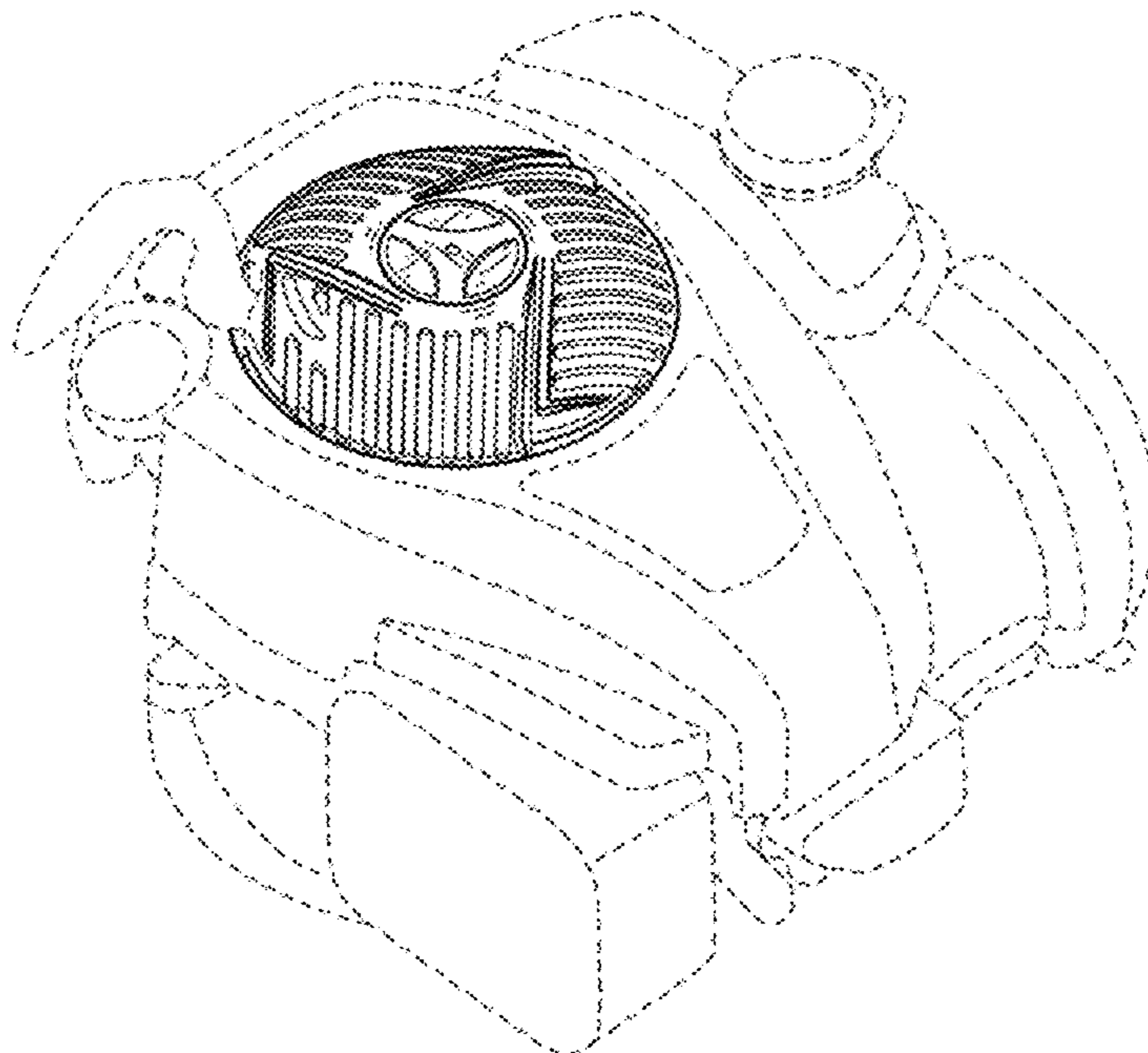
FIG. 1 is a front perspective view from above of the claimed design;  
 FIG. 2 is a rear perspective view from above of the claimed design of FIG. 1;  
 FIG. 3 is a top view of the claimed design of FIG. 1;  
 FIG. 4 is a front view of the claimed design of FIG. 1;  
 FIG. 5 is a left side view of the claimed design of FIG. 1;  
 FIG. 6 is a rear view of the claimed design of FIG. 1; and  
 FIG. 7 is a right side view of the claimed design of FIG. 1.  
 The broken lines in the drawings are for illustrative purposes only and form no part of the claimed design.

(56) **References Cited**

**U.S. PATENT DOCUMENTS**

D531,638 S	*	11/2006	Drew et al.	.....	D15/1
D549,733 S		8/2007	Strandell et al.		
D561,784 S	*	2/2008	Yin et al.	.....	D15/1
D583,831 S		12/2008	Post et al.		
D594,878 S		6/2009	Post et al.		
D615,557 S		5/2010	Mayer et al.		

**1 Claim, 7 Drawing Sheets**



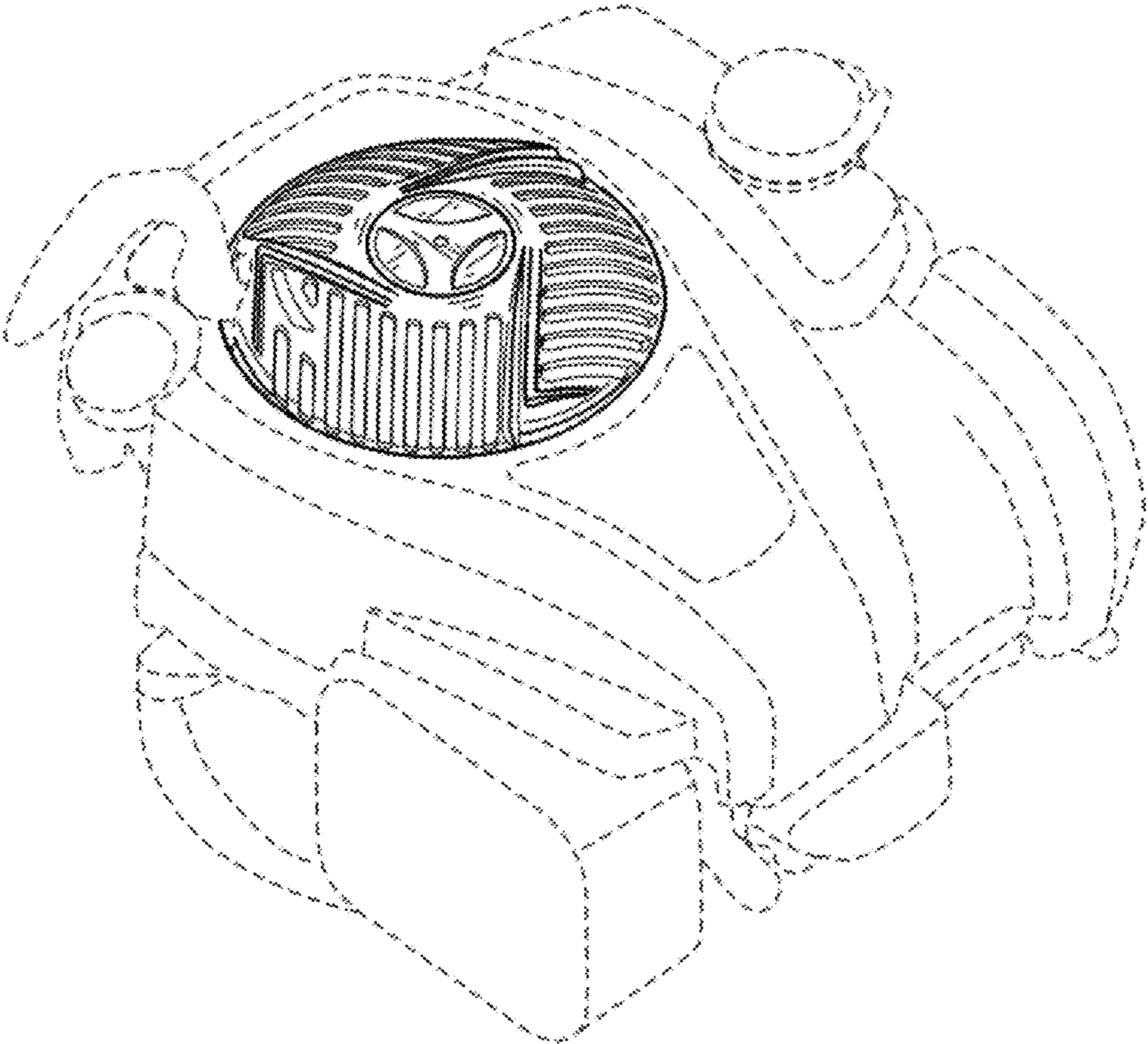


FIG. 1

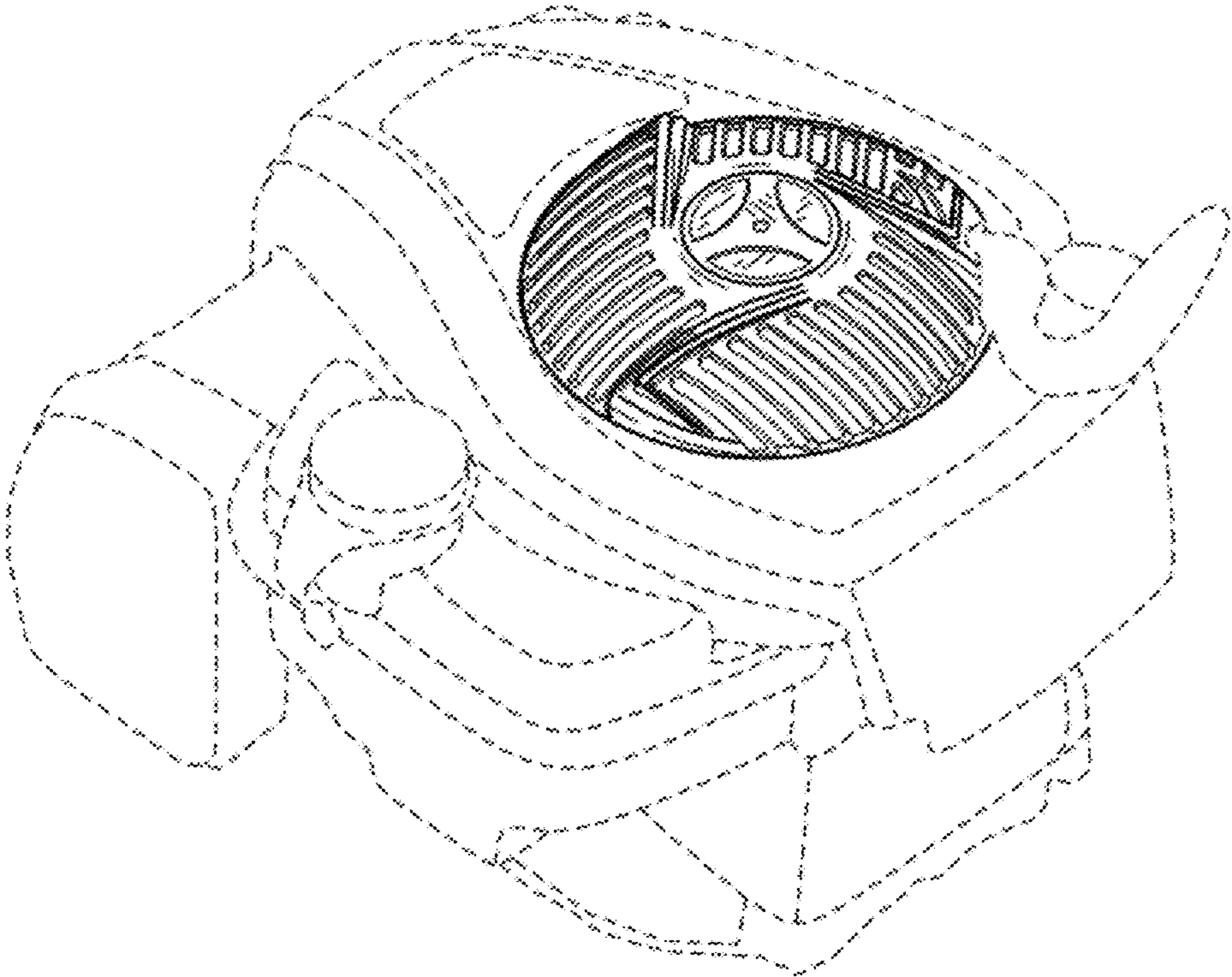


FIG. 2

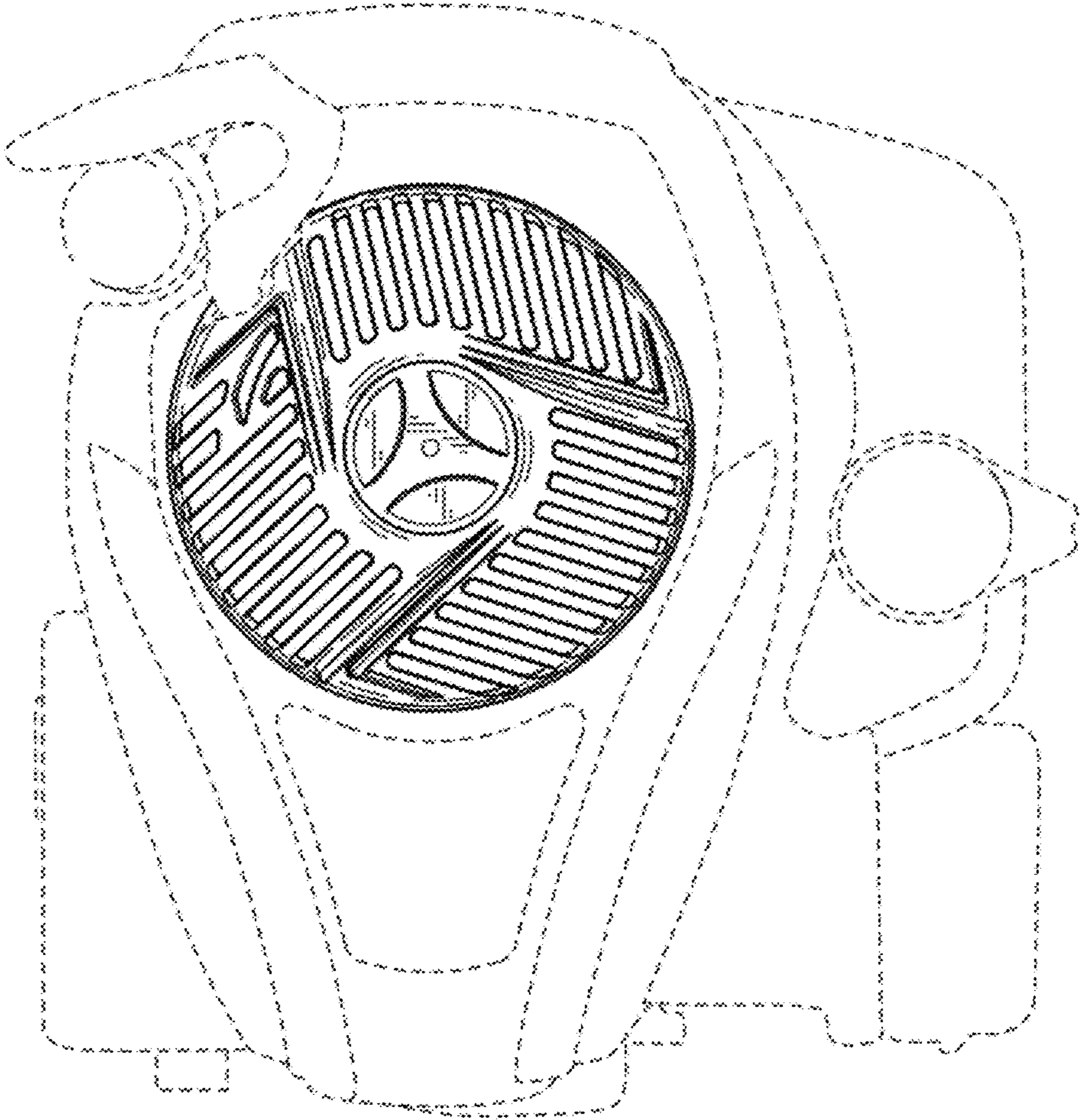
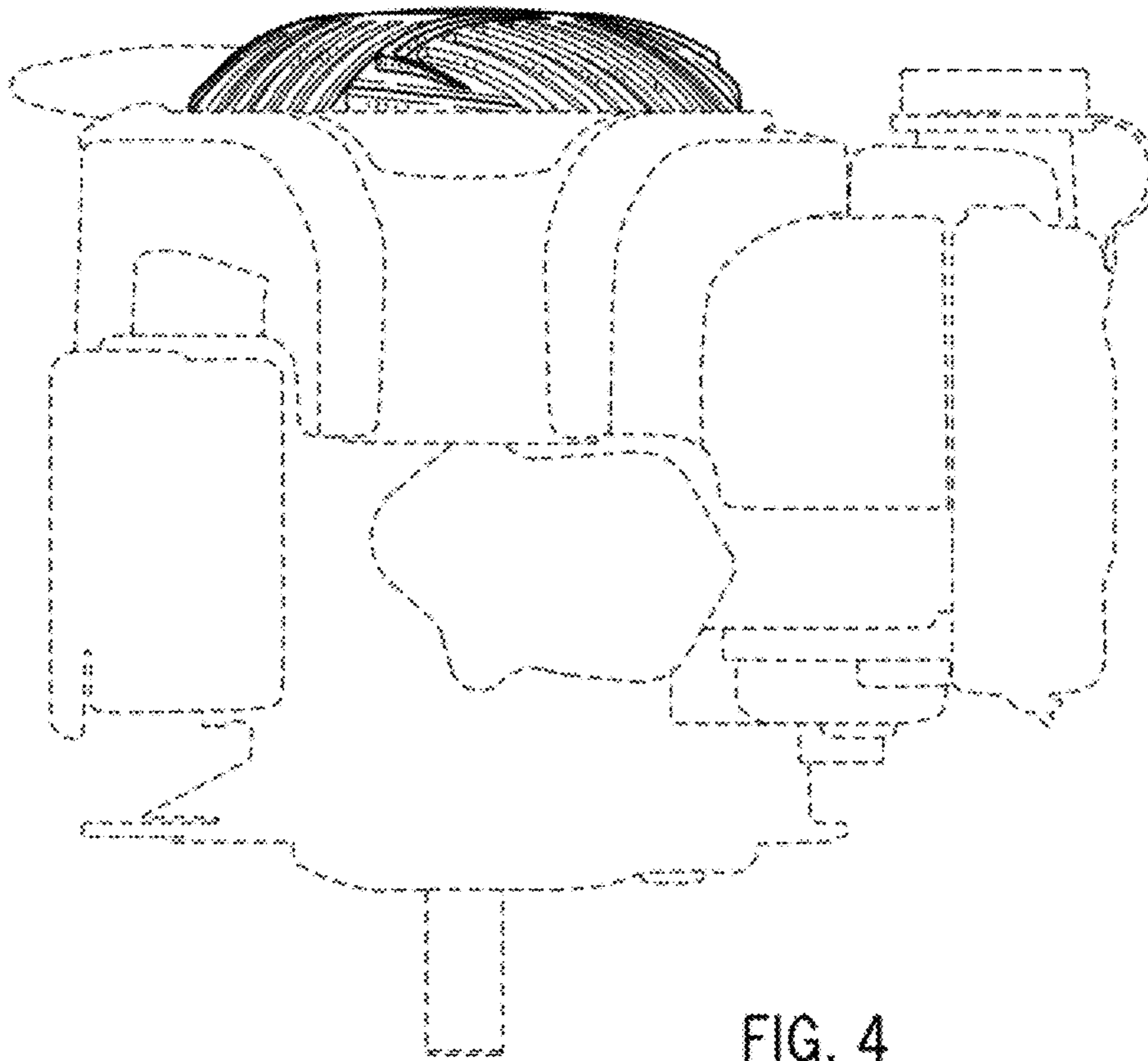


FIG. 3



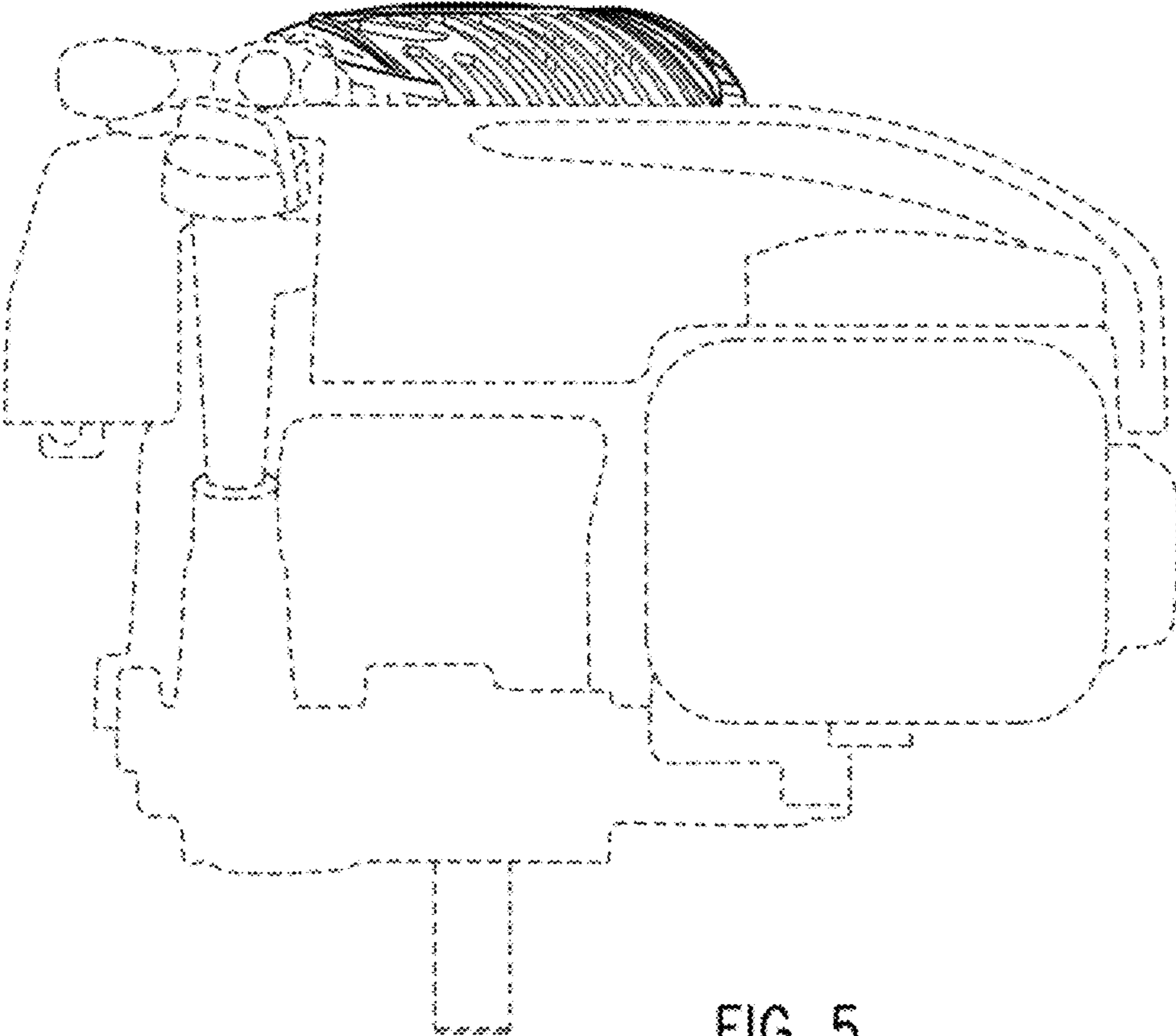
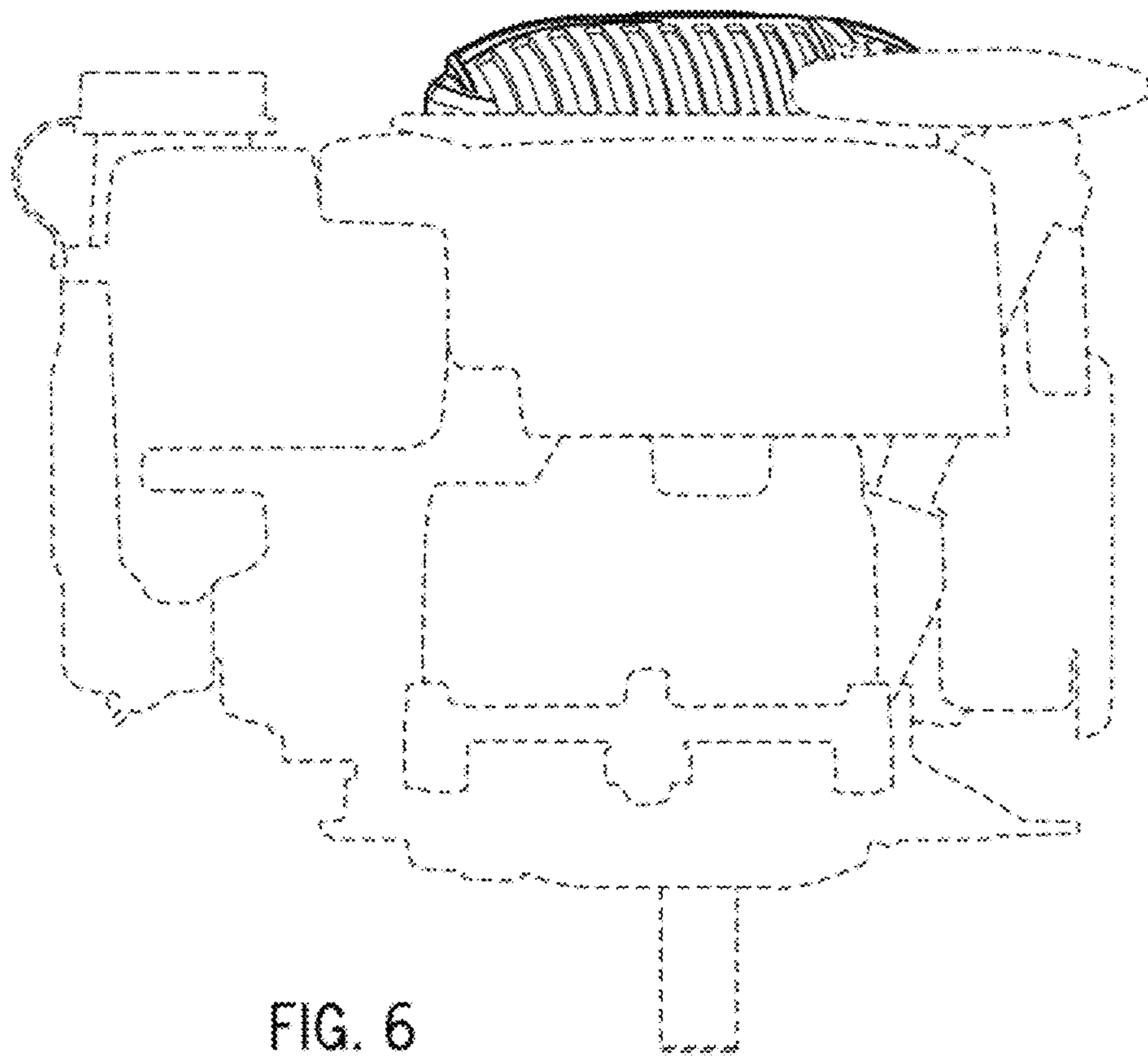


FIG. 5



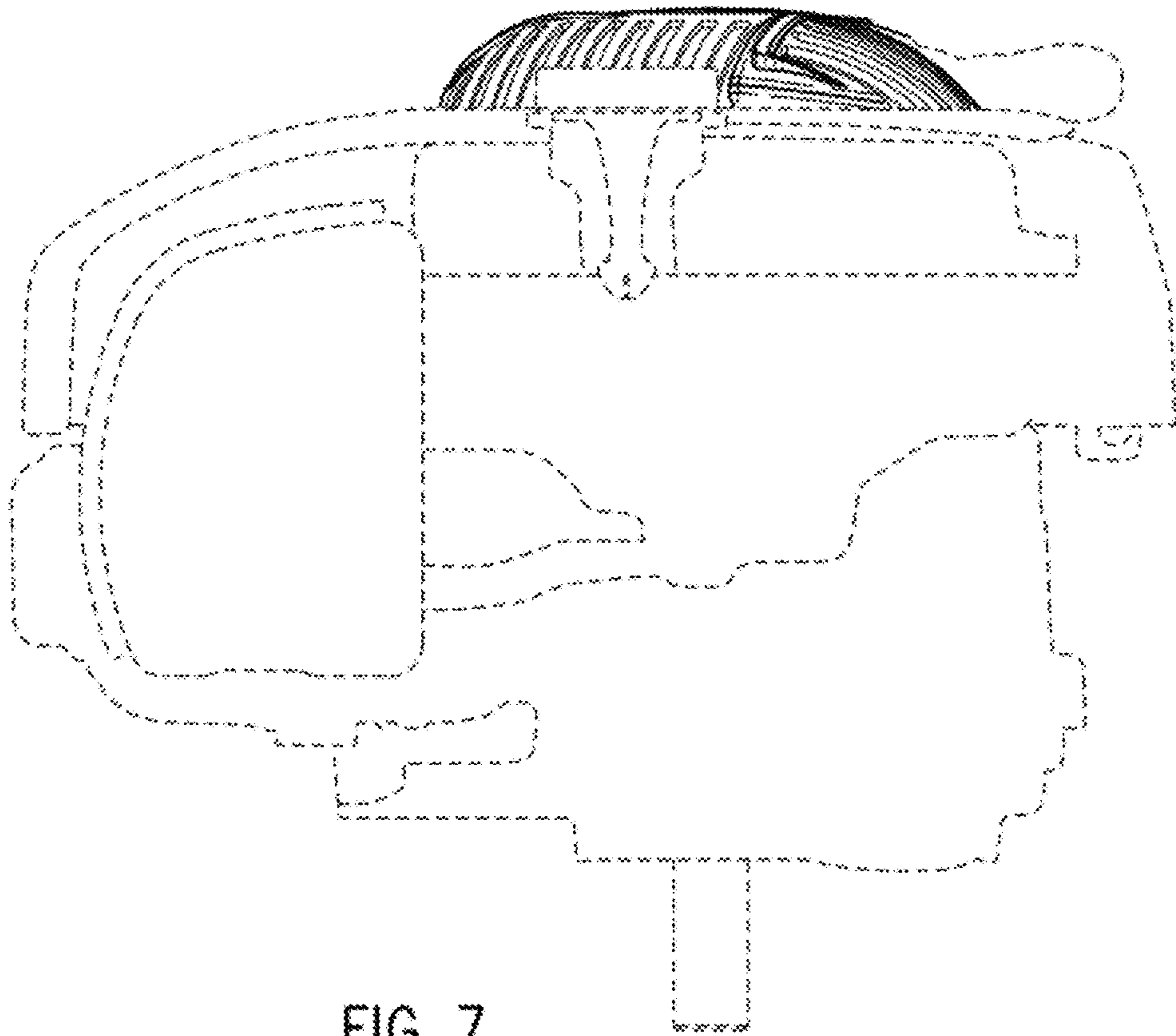


FIG. 7