



US00D673976S

(12) **United States Design Patent**
Yuasa et al.

(10) **Patent No.:** **US D673,976 S**
(45) **Date of Patent:** **** Jan. 8, 2013**

(54) **INTERNAL COMBUSTION ENGINE**

(75) Inventors: **Tsuneyoshi Yuasa**, Kobe (JP); **Toshiro Inoue**, Kobe (JP)

(73) Assignee: **Kawasaki Jukogyo Kabushiki Kaisha**, Hyogo (JP)

(**) Term: **14 Years**

(21) Appl. No.: **29/395,452**

(22) Filed: **Jan. 24, 2012**

(30) **Foreign Application Priority Data**

Dec. 16, 2011 (JP) 2011-029342

(51) **LOC (9) Cl.** **15-01**

(52) **U.S. Cl.** **D15/1**

(58) **Field of Classification Search** D15/1,
D15/2, 3, 5, 6, 14, 17, 149; 123/22, 41.34,
123/51 A, 606 R, 52.1, 50 A, 50 B, 54.1,
123/54.2, 54.4, 54.5, 65 R, 195 R, 195 HC,
123/657, 311

See application file for complete search history.

(56) **References Cited**

U.S. PATENT DOCUMENTS

D324,221 S * 2/1992 Kiyooka et al. D15/1
D361,336 S * 8/1995 Tinius D15/1

D398,010 S * 9/1998 Yoshida et al. D15/1
D406,146 S * 2/1999 Kobayashi D15/1
D591,767 S * 5/2009 Lee D15/1
D598,935 S * 8/2009 Kobayashi et al.
D624,091 S * 9/2010 Yuasa D15/1
D638,856 S * 5/2011 Koizumi et al. D15/5
D646,299 S * 10/2011 Aruga et al. D15/1

* cited by examiner

Primary Examiner — T. Chase Nelson

Assistant Examiner — Ania Aman

(57) **CLAIM**

The ornamental design for an internal combustion engine, as shown and described.

DESCRIPTION

FIG. 1 is a front elevational view of an internal combustion engine showing our new design;
FIG. 2 is a rear elevational view thereof;
FIG. 3 is a left side elevational view thereof;
FIG. 4 is a right side elevational view thereof;
FIG. 5 is a top plan view thereof;
FIG. 6 is a bottom plan view thereof;
FIG. 7 is a front right perspective view thereof; and,
FIG. 8 is a rear right perspective view thereof.
The broken lines shown in FIGS. 1-8 are for purposes of illustrating portions of the internal combustion engine that form no part of the claimed design.

1 Claim, 8 Drawing Sheets

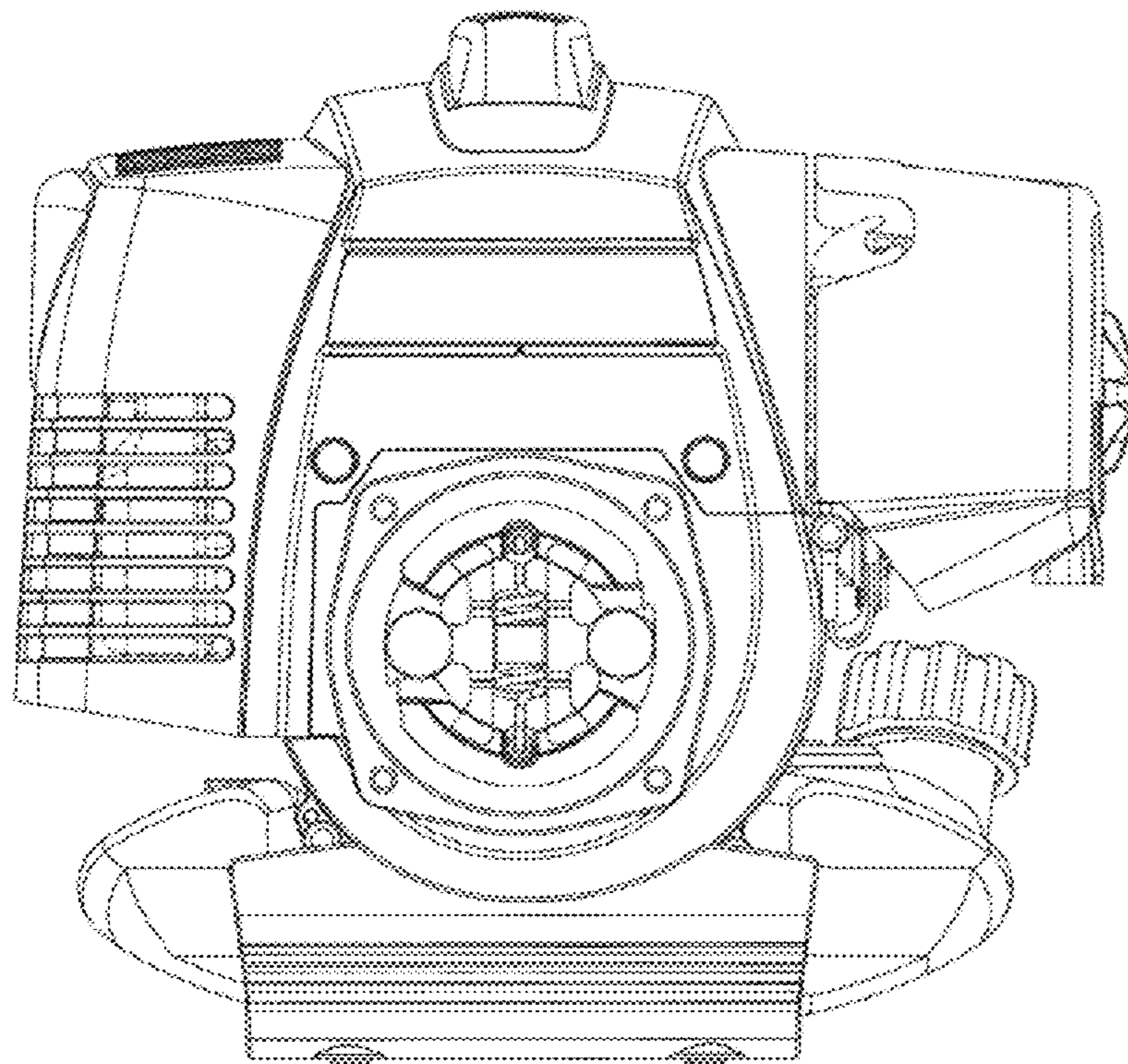


Fig. 1

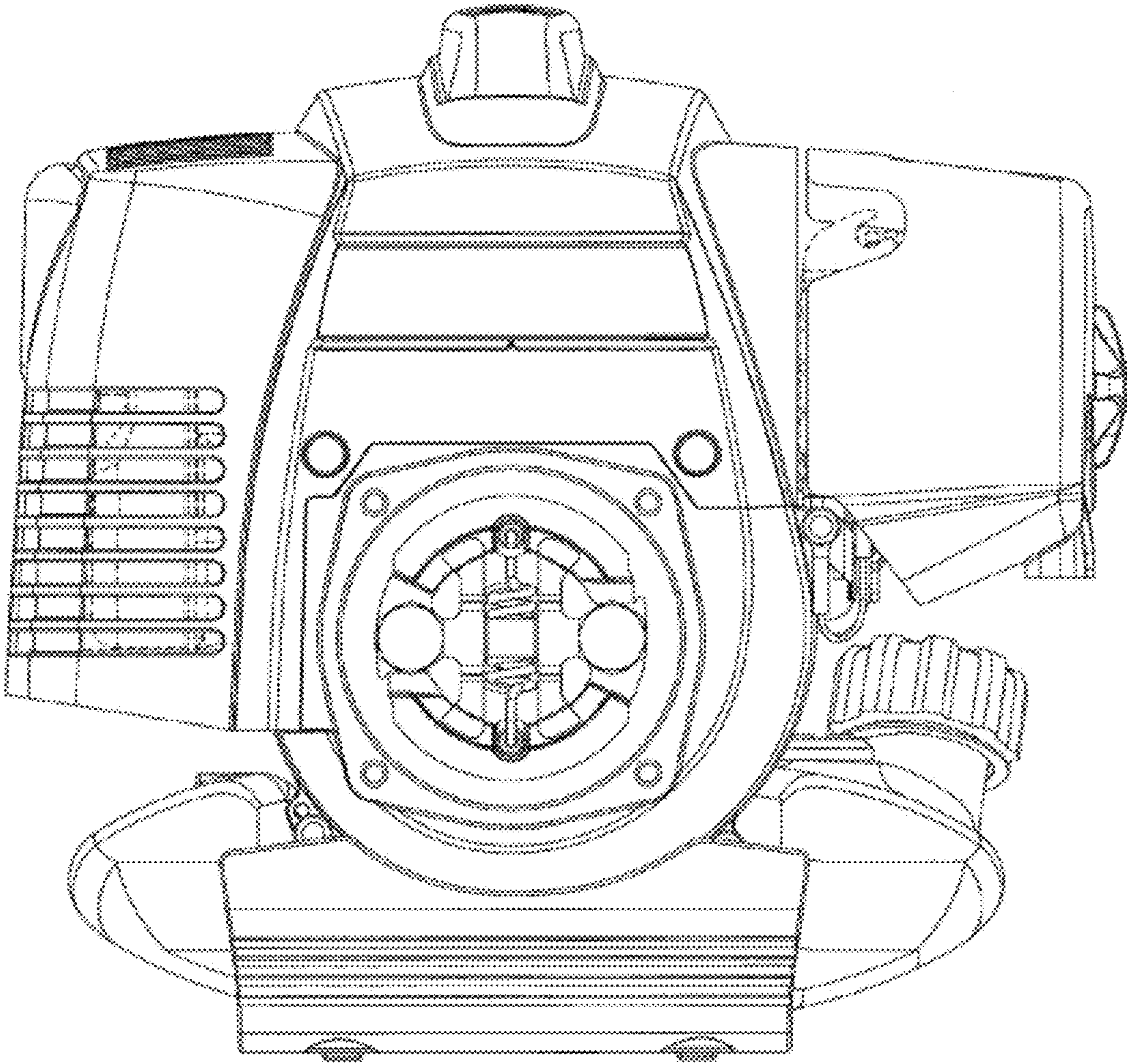


Fig. 2

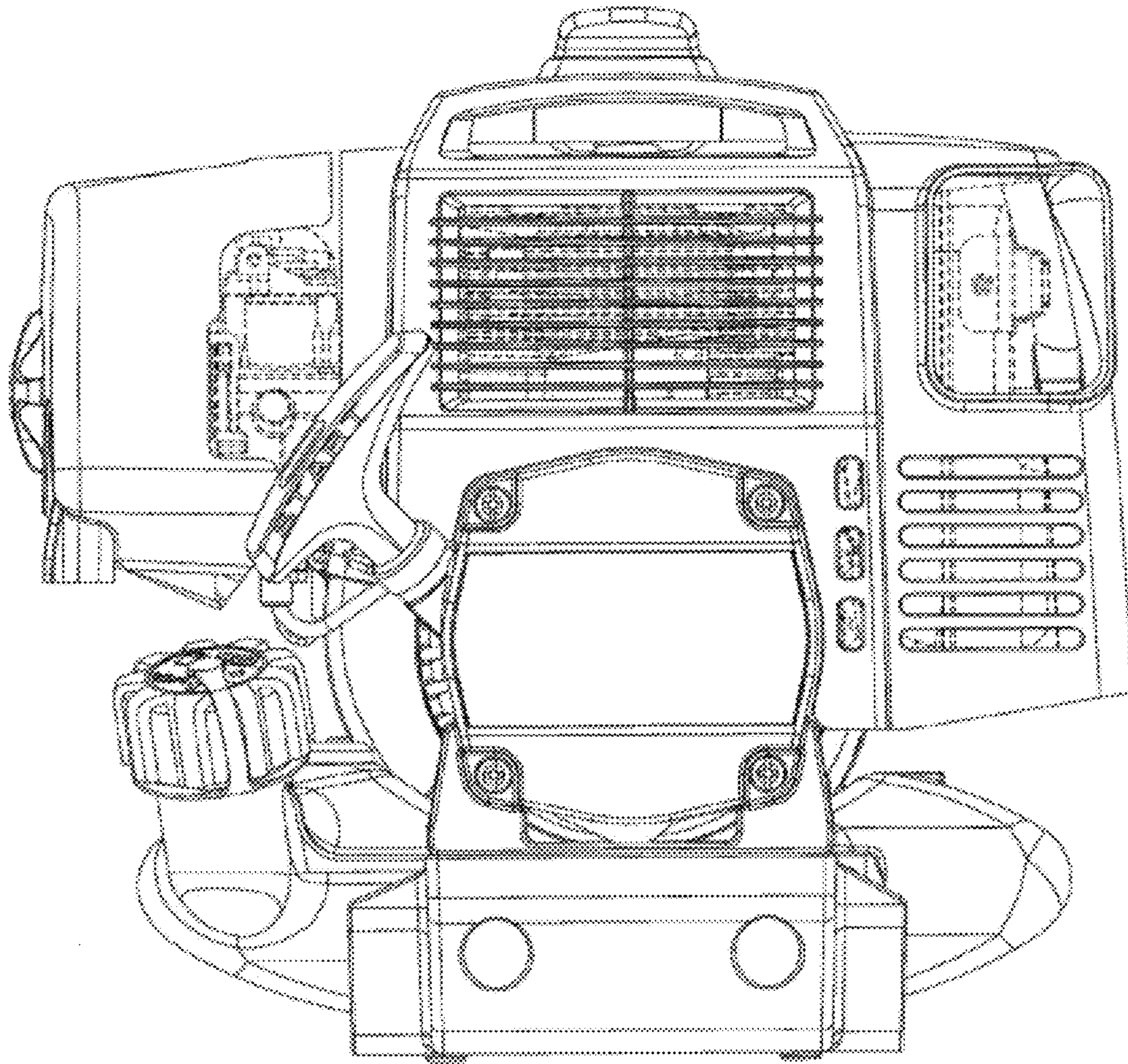


Fig. 3

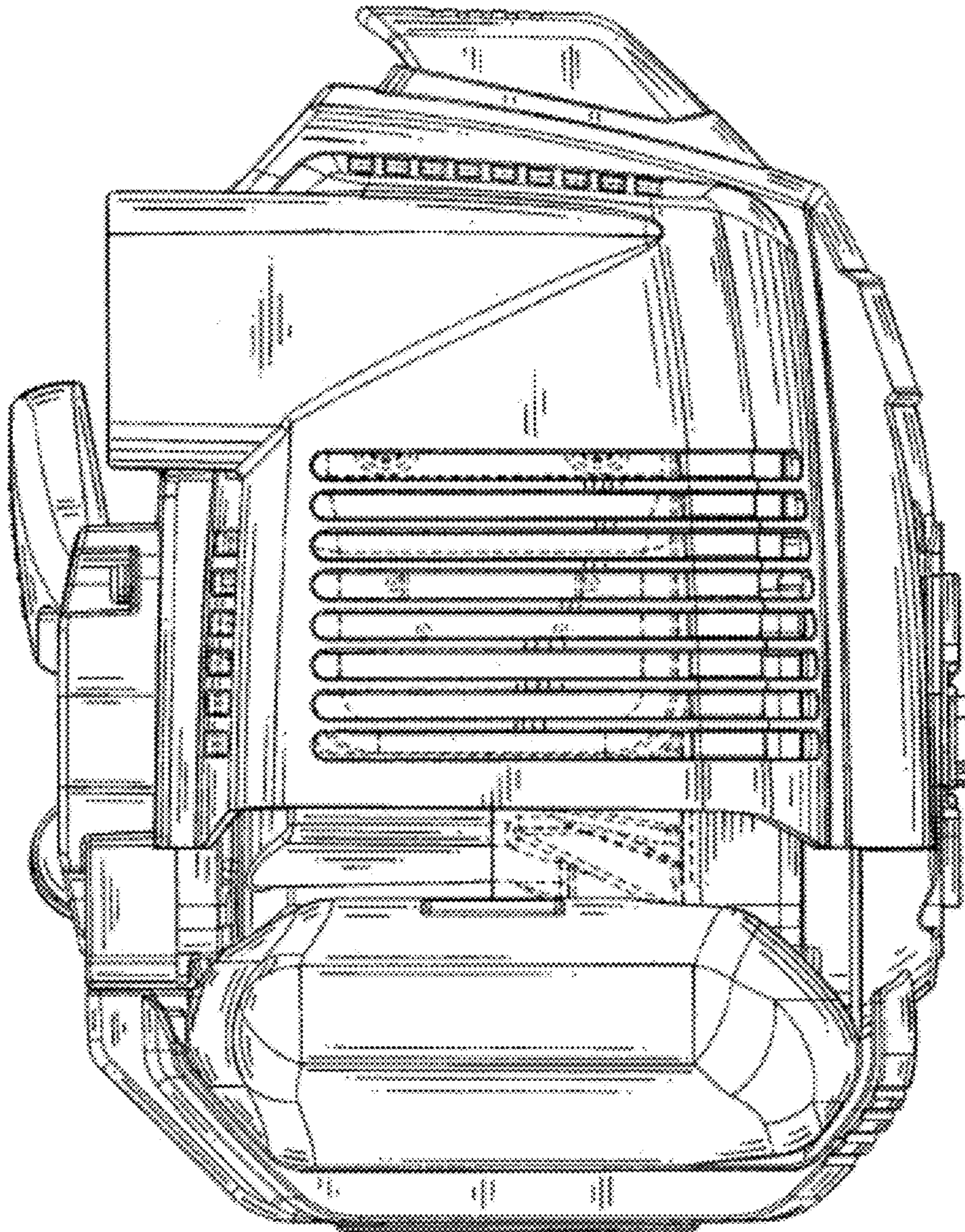


Fig. 4

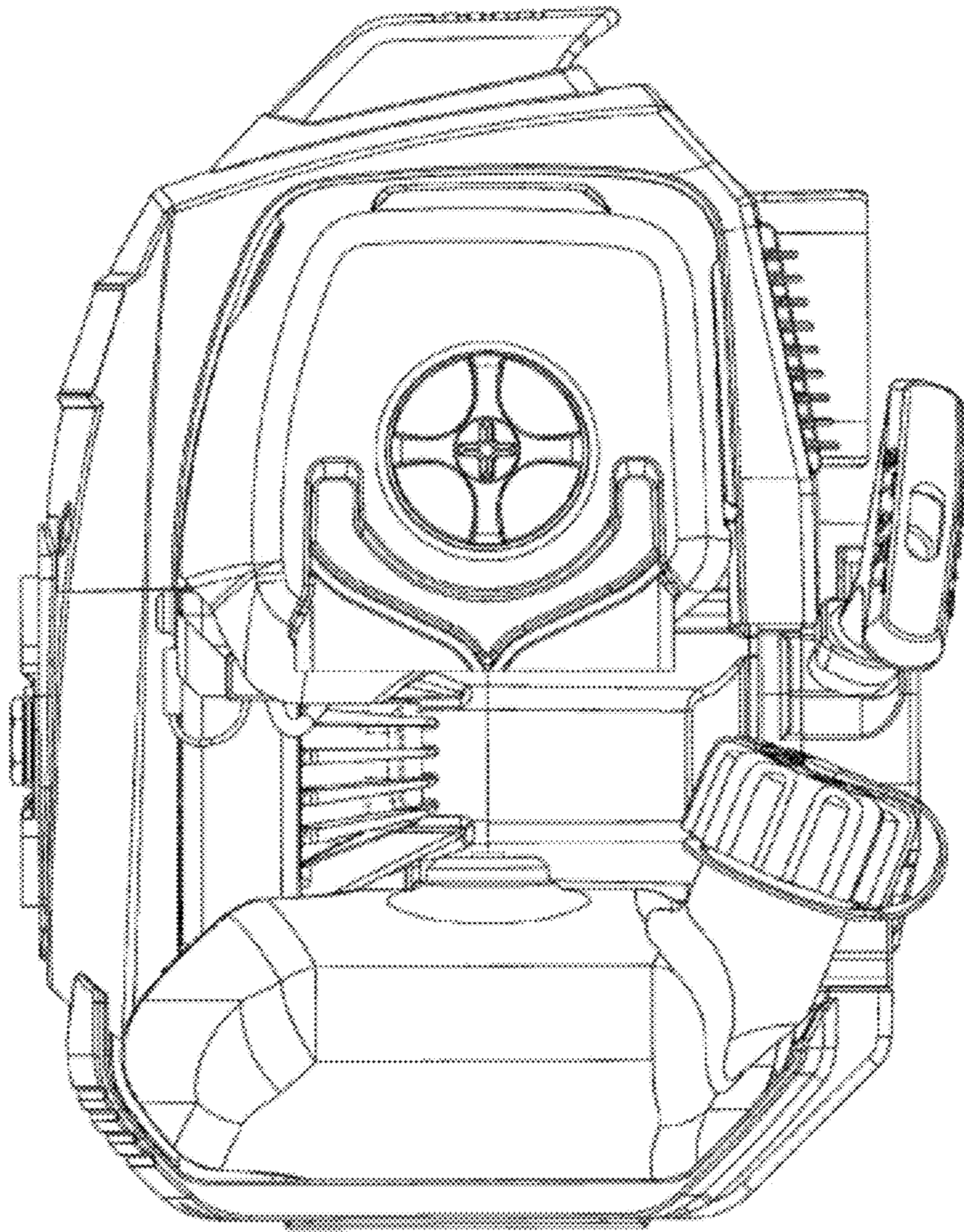


Fig. 5

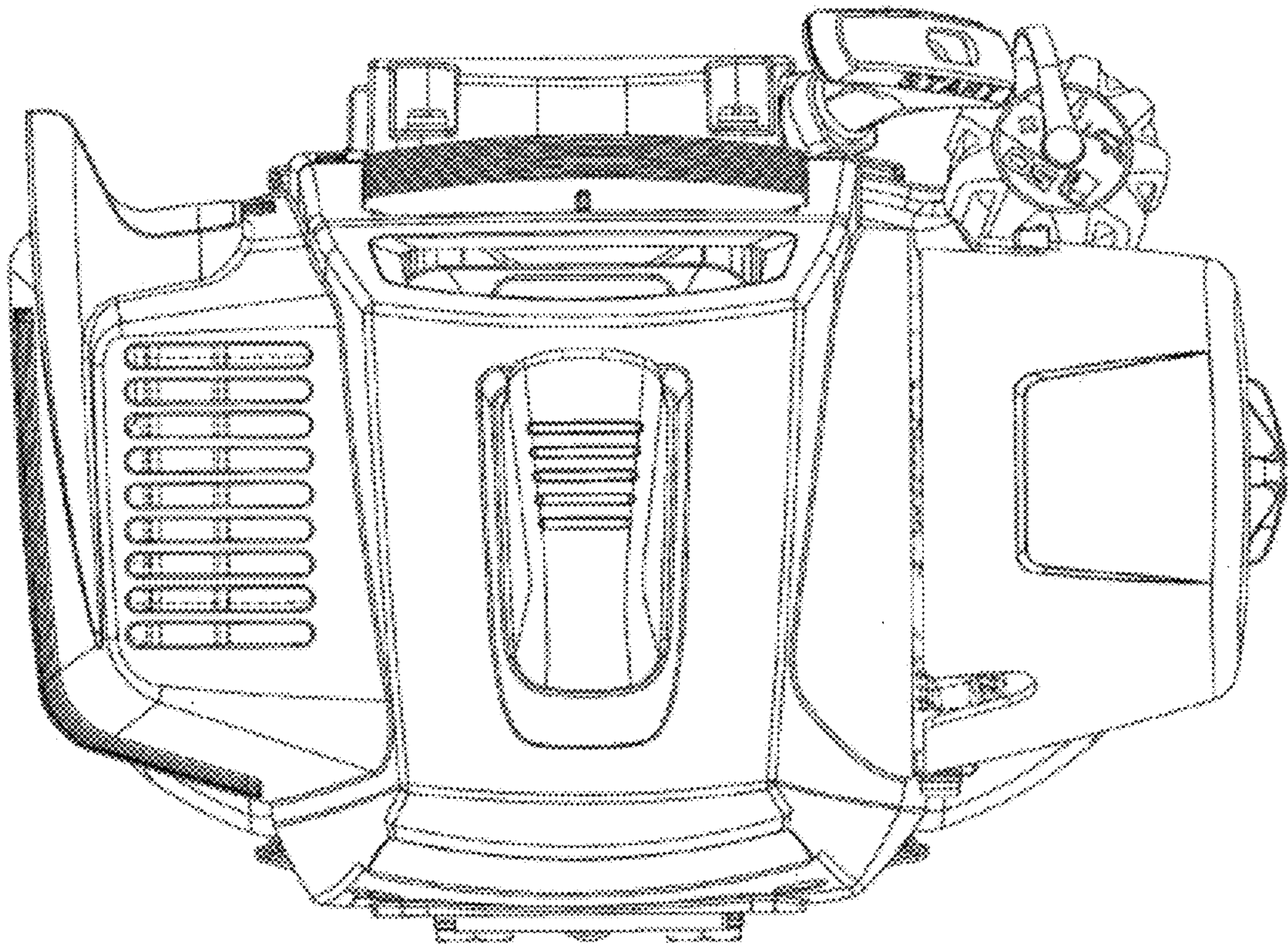


Fig. 6

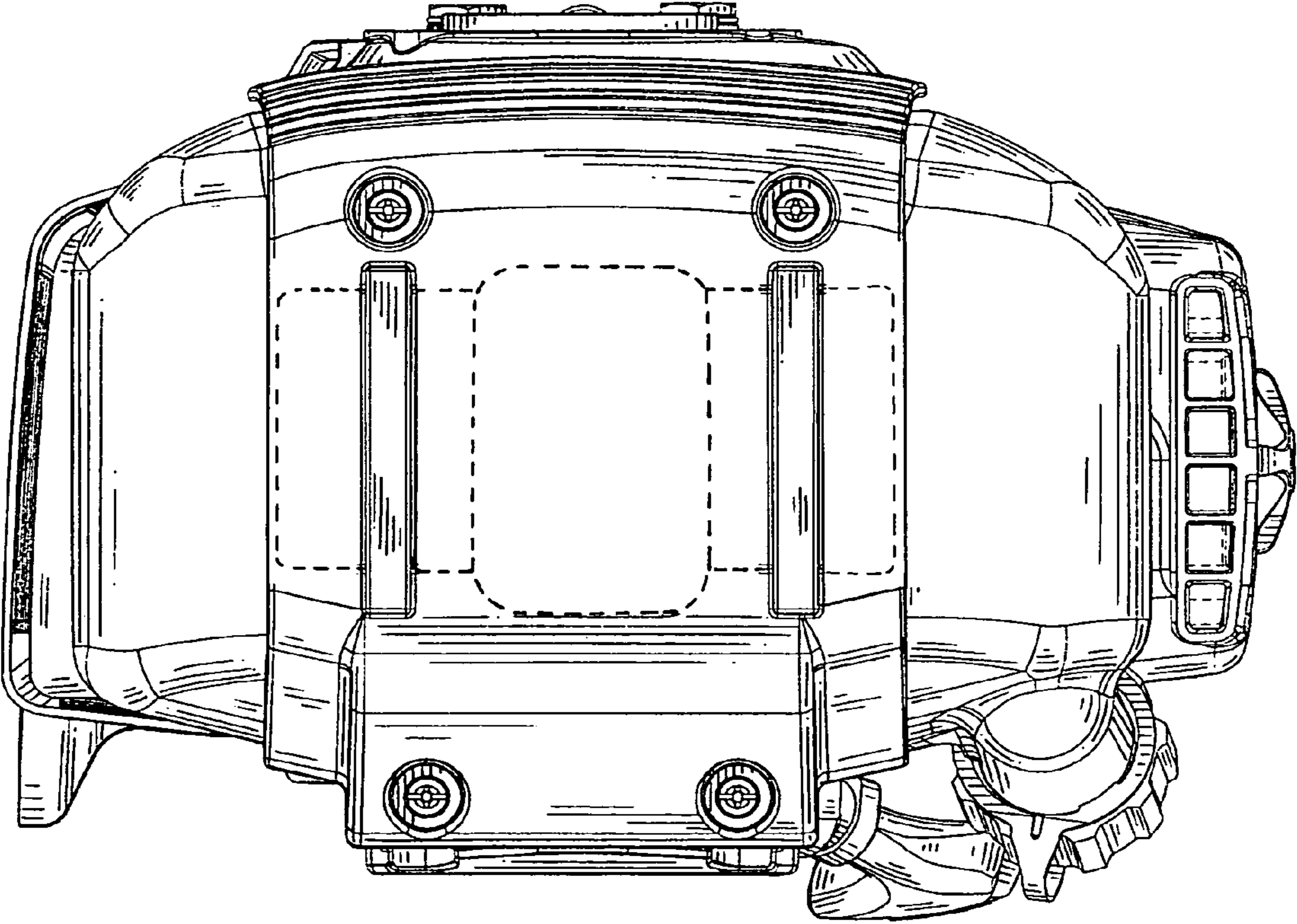


Fig. 7

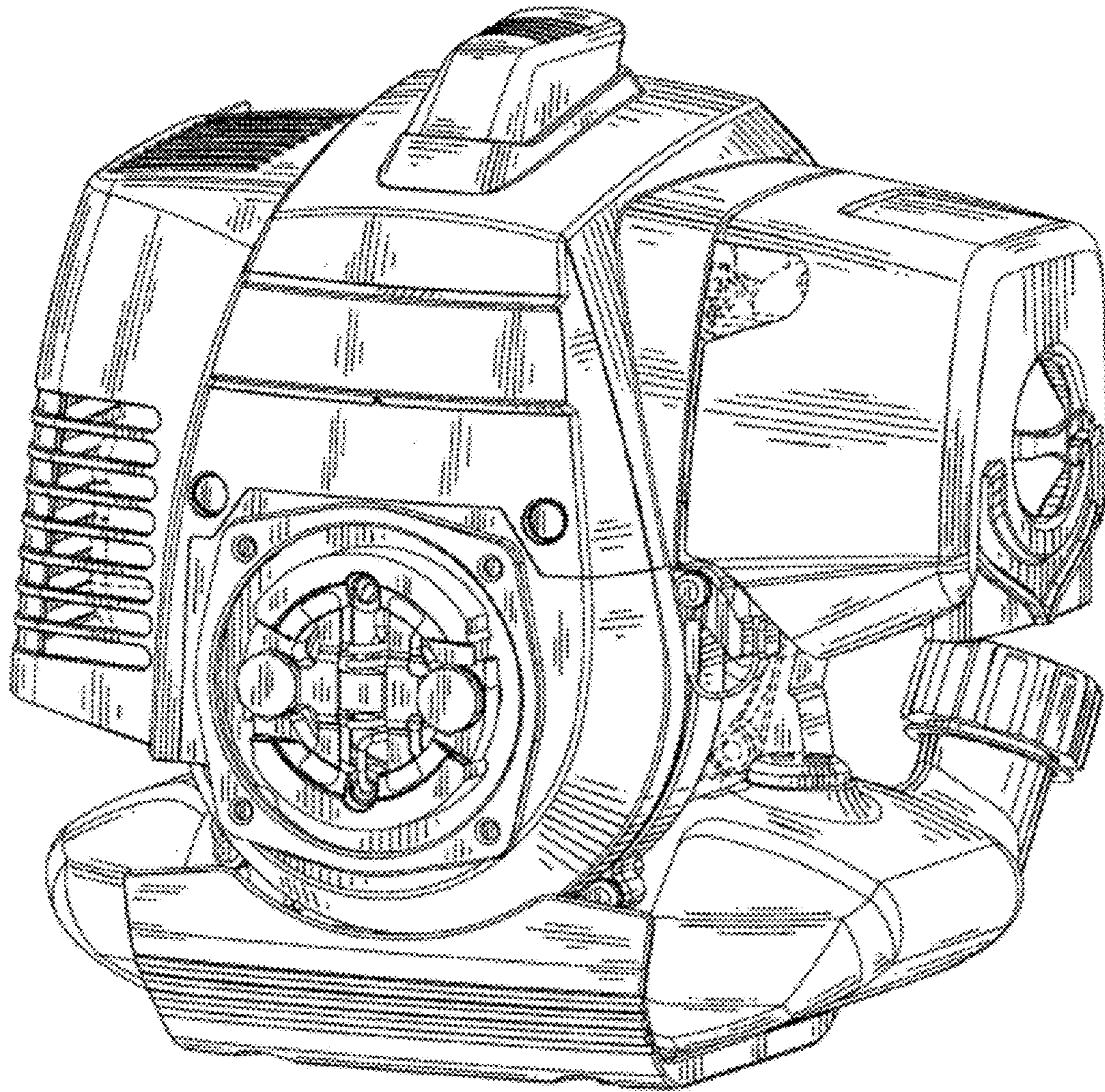


Fig. 8

