



US00D673975S

(12) **United States Design Patent**  
**Akana et al.**

(10) **Patent No.:** **US D673,975 S**  
(45) **Date of Patent:** **\*\* Jan. 8, 2013**

(54) **ELECTRONIC DEVICE WITH GRAPHICAL USER INTERFACE**

(75) Inventors: **Jody Akana**, San Francisco, CA (US); **Bartley K. Andre**, Menlo Park, CA (US); **Jeremy Bataillou**, San Francisco, CA (US); **Daniel J. Coster**, San Francisco, CA (US); **Anton Davydov**, Gilroy, CA (US); **Daniele De Iuliis**, San Francisco, CA (US); **Jorge Fino**, San Jose, CA (US); **M. Evans Hankey**, San Francisco, CA (US); **Richard P. Howarth**, San Francisco, CA (US); **Jonathan P. Ive**, San Francisco, CA (US); **Duncan Robert Kerr**, San Francisco, CA (US); **Shin Nishibori**, Kailua, HI (US); **Matthew Dean Rohrbach**, San Francisco, CA (US); **Peter Russell-Clarke**, San Francisco, CA (US); **Christopher J. Stringer**, Woodside, CA (US); **Eugene Antony Whang**, San Francisco, CA (US); **Policarpo Wood**, San Jose, CA (US); **Rico Zorkendorfer**, San Francisco, CA (US)

(73) Assignee: **Apple Inc.**, Cupertino, CA (US)

(\*\*) Term: **14 Years**

(21) Appl. No.: **29/423,019**

(22) Filed: **May 25, 2012**

**Related U.S. Application Data**

(63) Continuation of application No. 29/401,912, filed on Sep. 16, 2011, now Pat. No. Des. 663,320, which is a continuation of application No. 29/368,991, filed on Aug. 31, 2010, now Pat. No. Des. 647,919, which is a continuation of application No. 29/367,996, filed on Aug. 16, 2010, now Pat. No. Des. 638,030.

(51) **LOC (9) Cl.** ..... **14-03**

(52) **U.S. Cl.** ..... **D14/496; D14/203.3**

(58) **Field of Classification Search** ..... D14/496, D14/401, 435, 474, 483, 217, 137, 138, 160, D14/168, 356, 203.1-203.8, 507; 345/156, 345/169, 173-179, 905; 715/727-729, 864; 710/1, 5, 8; 713/1, 600; 455/1.1, 1.7, 73, 455/344-347, 93, 95, 3.01-3.06, 550.1, 573.1; 370/342-344; 369/1, 2, 6-12; 463/43-47; 273/148 B

See application file for complete search history.

(56) **References Cited**

U.S. PATENT DOCUMENTS

D141,980 S 8/1945 Holland et al.

(Continued)

FOREIGN PATENT DOCUMENTS

KR 30-0328287 7/2003

OTHER PUBLICATIONS

Wilson, M., Gizmodo, "Is This the Next iPod Shuffle?," (<http://gizmodo.com/5583144/is-this-thenext-ipod-shuffle>), published Jul. 9, 2010, 2 pages.

(Continued)

*Primary Examiner* — Prabhakar Deshmukh

(74) *Attorney, Agent, or Firm* — Sterne, Kessler, Goldstein & Fox PLLC

(57) **CLAIM**

The ornamental design for an electronic device with graphical user interface, as shown and described.

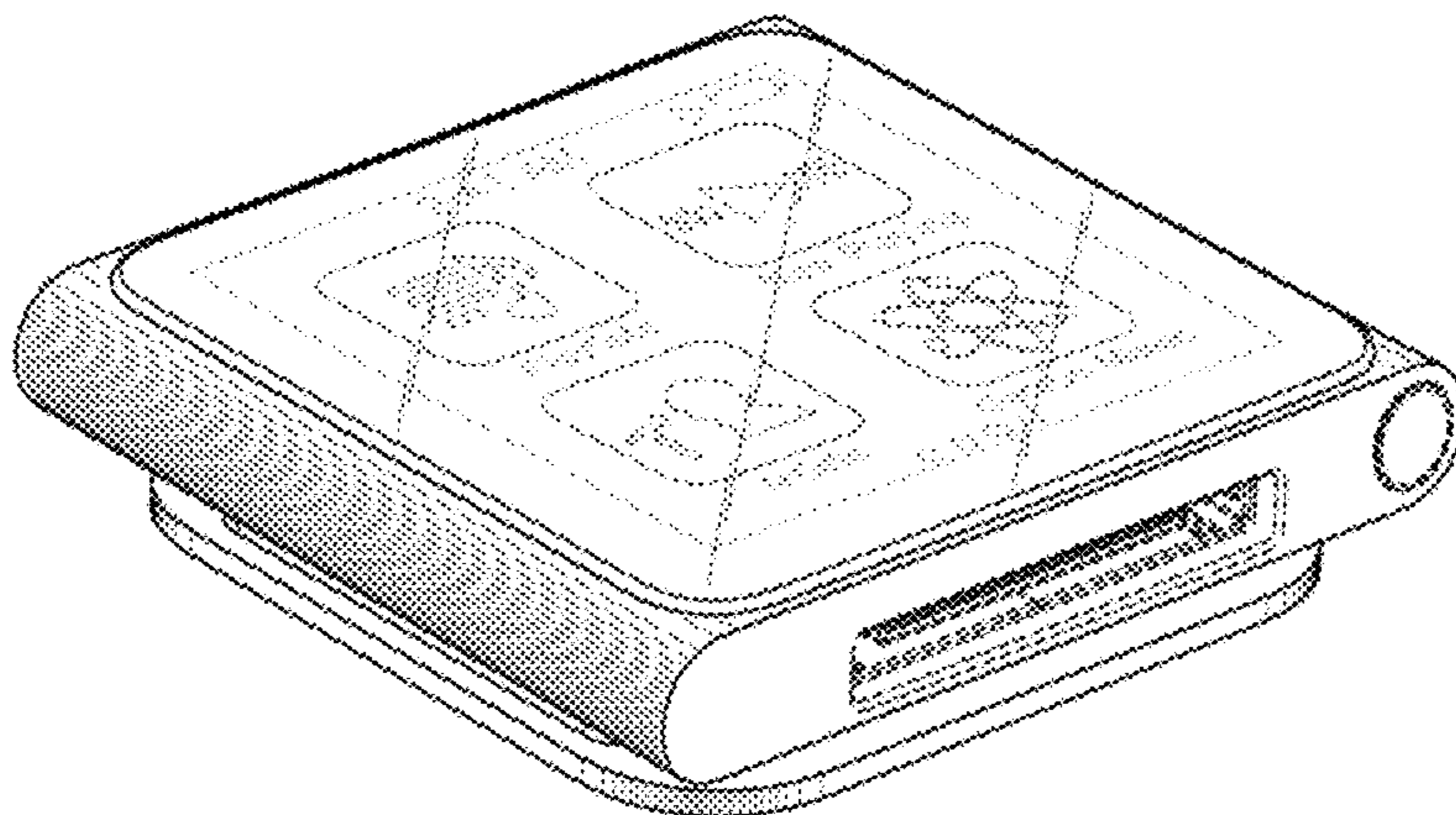
**DESCRIPTION**

FIG. 1 is a front bottom perspective view of an electronic device with graphical user interface showing our new design; FIG. 2 is a rear bottom perspective view thereof; FIG. 3 is a rear top perspective view thereof; FIG. 4 is a front top perspective view thereof; FIG. 5 is a front view thereof; FIG. 6 is a rear view thereof; FIG. 7 is a bottom view thereof; FIG. 8 is a top view thereof; FIG. 9 is a side view thereof; and, FIG. 10 is another side view thereof.

The shade lines in the Figures show contour and not surface ornamentation.

The broken lines showing portions of the electronic device and portions of the graphical user interface form no part of the claimed design.

**1 Claim, 8 Drawing Sheets**



# US D673,975 S

Page 2

## U.S. PATENT DOCUMENTS

5,128,829 A \* 7/1992 Loew ..... 361/679.3  
D345,304 S 3/1994 Leader  
5,808,862 A 9/1998 Robbins  
D408,794 S 4/1999 Ogasawara  
6,122,526 A \* 9/2000 Parulski et al. .... 455/556.1  
D441,735 S 5/2001 Katayama  
6,354,477 B1 \* 3/2002 Trummer ..... 224/575  
D459,339 S 6/2002 Tong  
6,567,011 B1 \* 5/2003 Young et al. .... 340/12.28  
D475,850 S 6/2003 Andre et al.  
6,595,860 B1 \* 7/2003 Yamamoto et al. .... 463/43  
D478,053 S 8/2003 Andre et al.  
D478,076 S 8/2003 Hong  
D488,472 S 4/2004 Haase et al.  
D490,796 S 6/2004 Allen  
D503,532 S 4/2005 Andre et al.  
D506,474 S 6/2005 Gildred  
D515,545 S 2/2006 Griffin  
D516,573 S 3/2006 Gibson  
D517,065 S 3/2006 Ko et al.  
D521,460 S 5/2006 Shimizu  
D534,545 S 1/2007 Leija et al.  
D546,202 S 7/2007 Chang  
D555,171 S 11/2007 Dai  
D556,193 S 11/2007 Laituri et al.  
D559,860 S 1/2008 Andre et al.  
D560,228 S 1/2008 Andre et al.  
D563,434 S 3/2008 Dai  
D568,310 S 5/2008 Franck et al.  
D569,389 S 5/2008 Andre et al.  
D586,741 S 2/2009 Song  
D588,545 S 3/2009 Andre et al.  
D588,610 S 3/2009 Andre et al.  
D590,826 S 4/2009 Andre et al.  
D603,867 S 11/2009 La et al.  
D604,305 S 11/2009 Anzures et al.  
D606,129 S 12/2009 Ben-Moshe

D607,898 S 1/2010 Lee  
D616,899 S 6/2010 Andre et al.  
D617,334 S 6/2010 Chaudhri  
D623,195 S 9/2010 La et al.  
D626,552 S 11/2010 Andre et al.  
D627,367 S 11/2010 Andre et al.  
D627,790 S 11/2010 Chaudhri  
D638,030 S 5/2011 Akana et al.  
D638,443 S 5/2011 Akana et al.  
D638,854 S 5/2011 Andre et al.  
D647,919 S 11/2011 Akana et al.  
D647,921 S 11/2011 Akana et al.  
D650,811 S 12/2011 Andre et al.  
D654,506 S 2/2012 Akana et al.  
D656,955 S 4/2012 Akana et al.  
D658,679 S 5/2012 Davydov et al.  
D659,712 S 5/2012 Andre et al.  
D664,995 S 8/2012 Akana et al.  
2003/0179223 A1 9/2003 Ying et al.  
2007/0067738 A1 3/2007 Flynt et al.  
2009/0064038 A1 3/2009 Fleischman et al.  
2010/0259368 A1 10/2010 Fahn

## OTHER PUBLICATIONS

Registered Trademark Serial No. 77389539, Apple Inc., filed Feb. 5, 2008.  
U.S. Appl. No. 29/386,783 inventors Akana, J., et al., filed Mar. 4, 2011.  
U.S. Appl. No. 29/369,020 inventors Akana, J., et al., filed Sep. 1, 2010.  
U.S. Appl. No. 29/416,594 inventors Andre, B., et al., filed Mar. 23, 2012.  
U.S. Appl. No. 29/417,331 inventors Akana, J., et al., filed Apr. 2, 2012.  
U.S. Appl. No. 29/419,606 inventors Andre, B., et al., filed Apr. 30, 2012.

\* cited by examiner

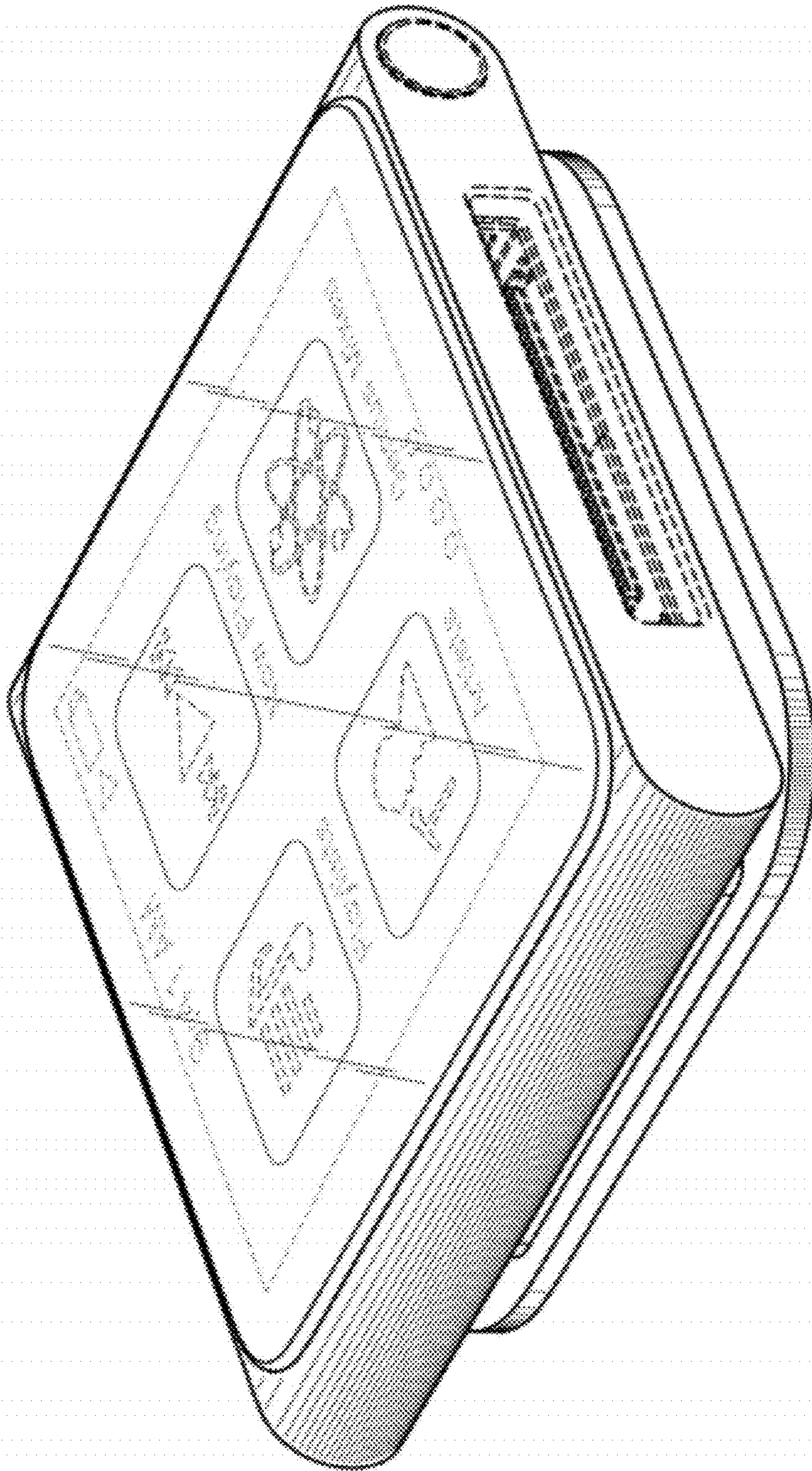


FIG. 1

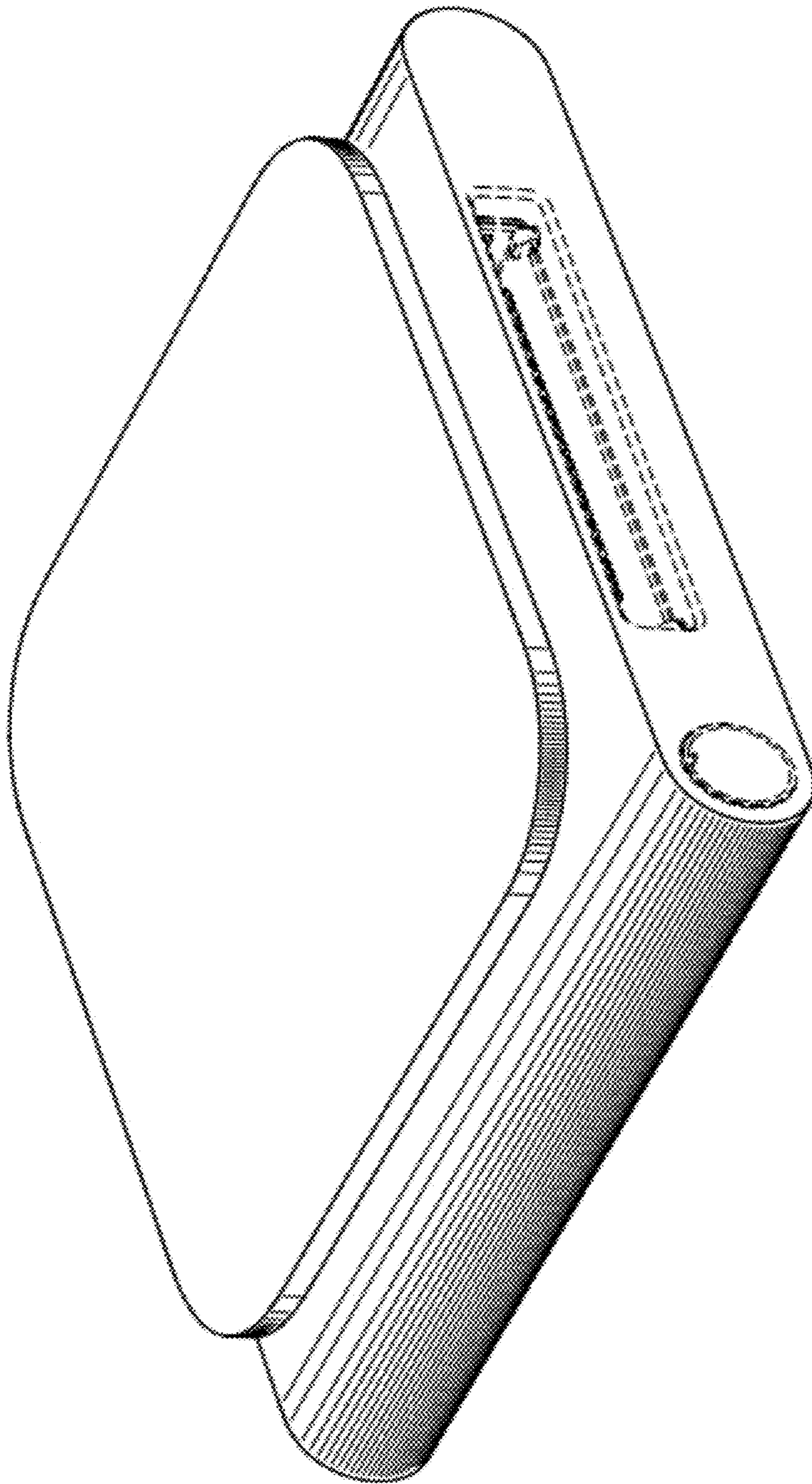


FIG.2

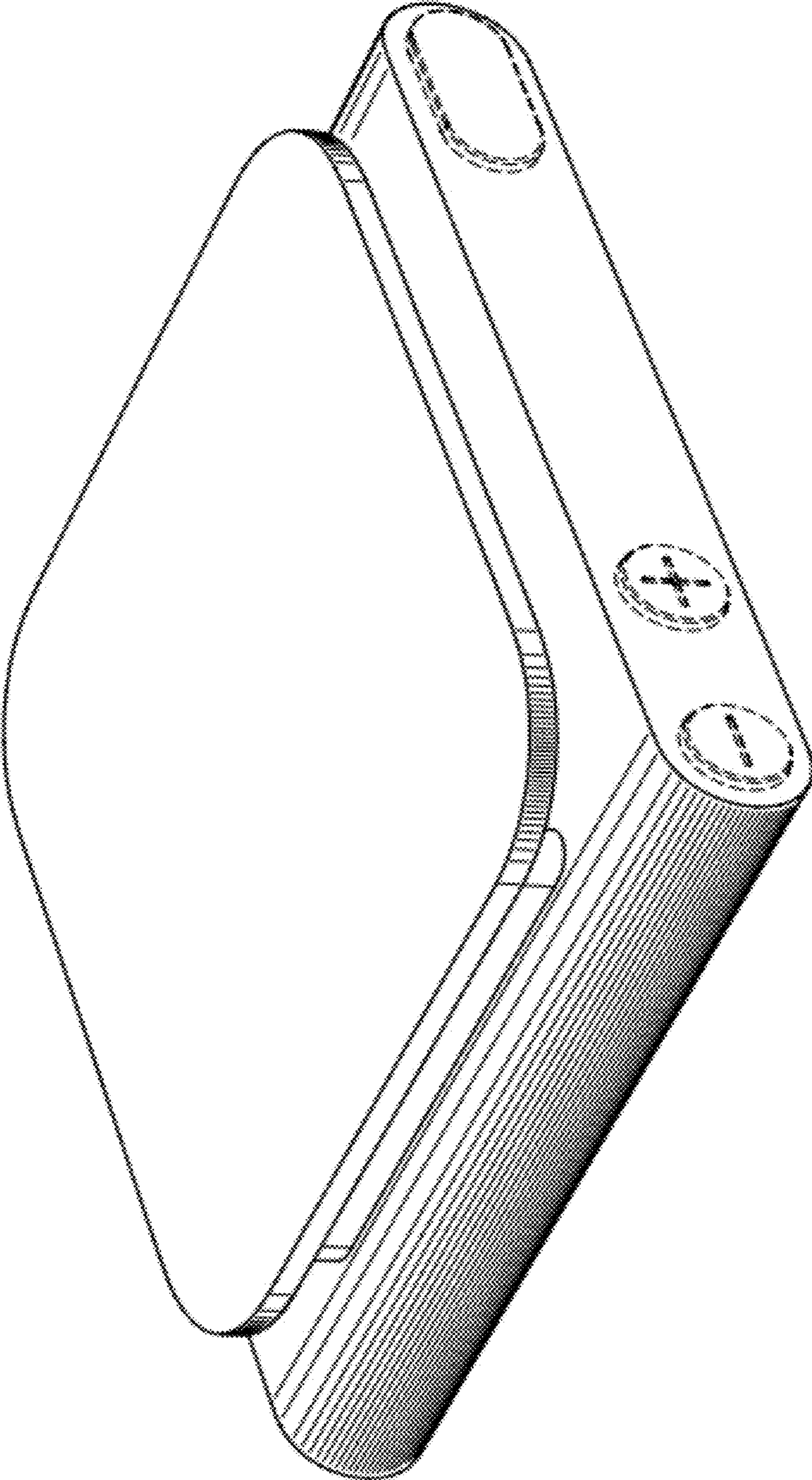


FIG. 3

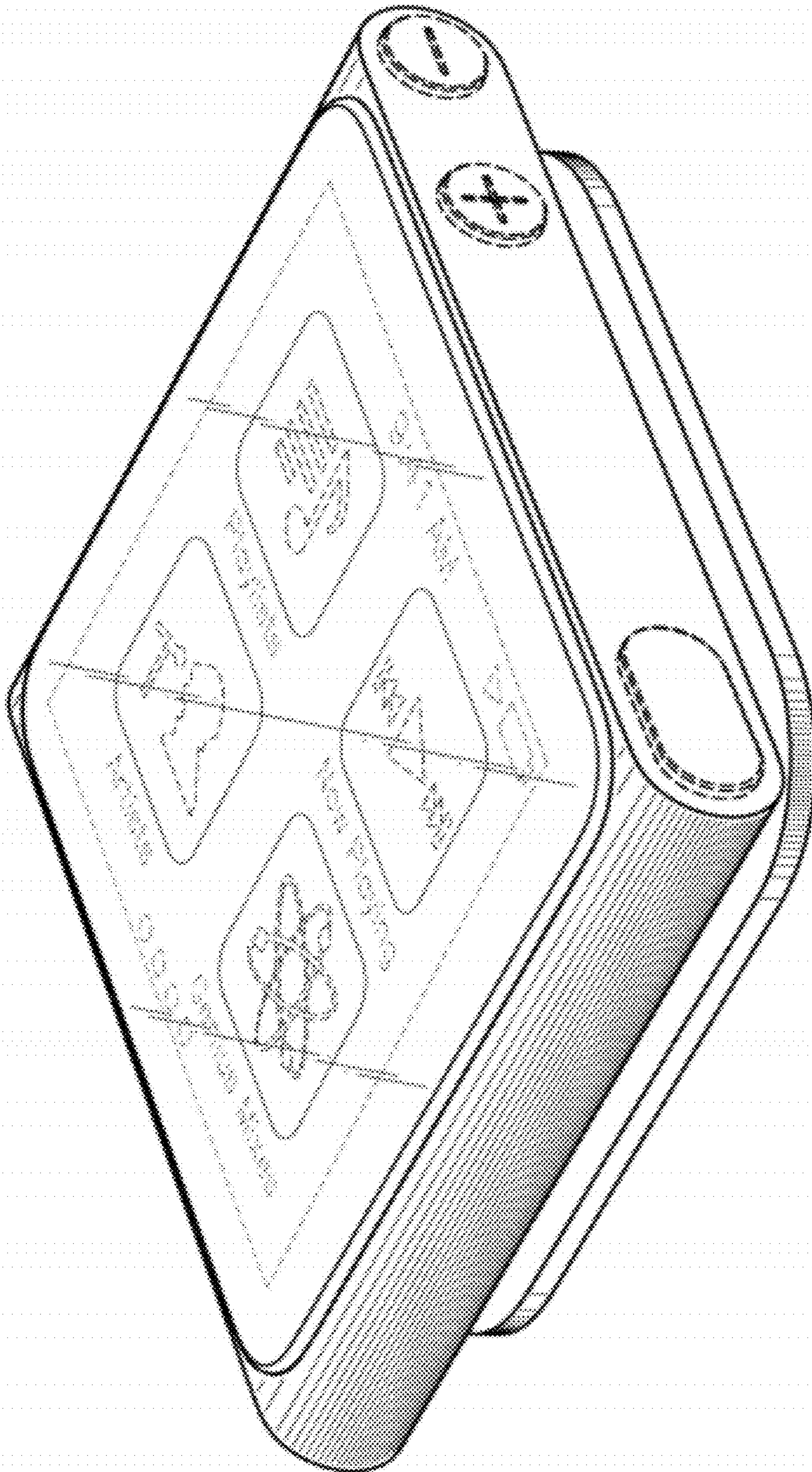


FIG. 4

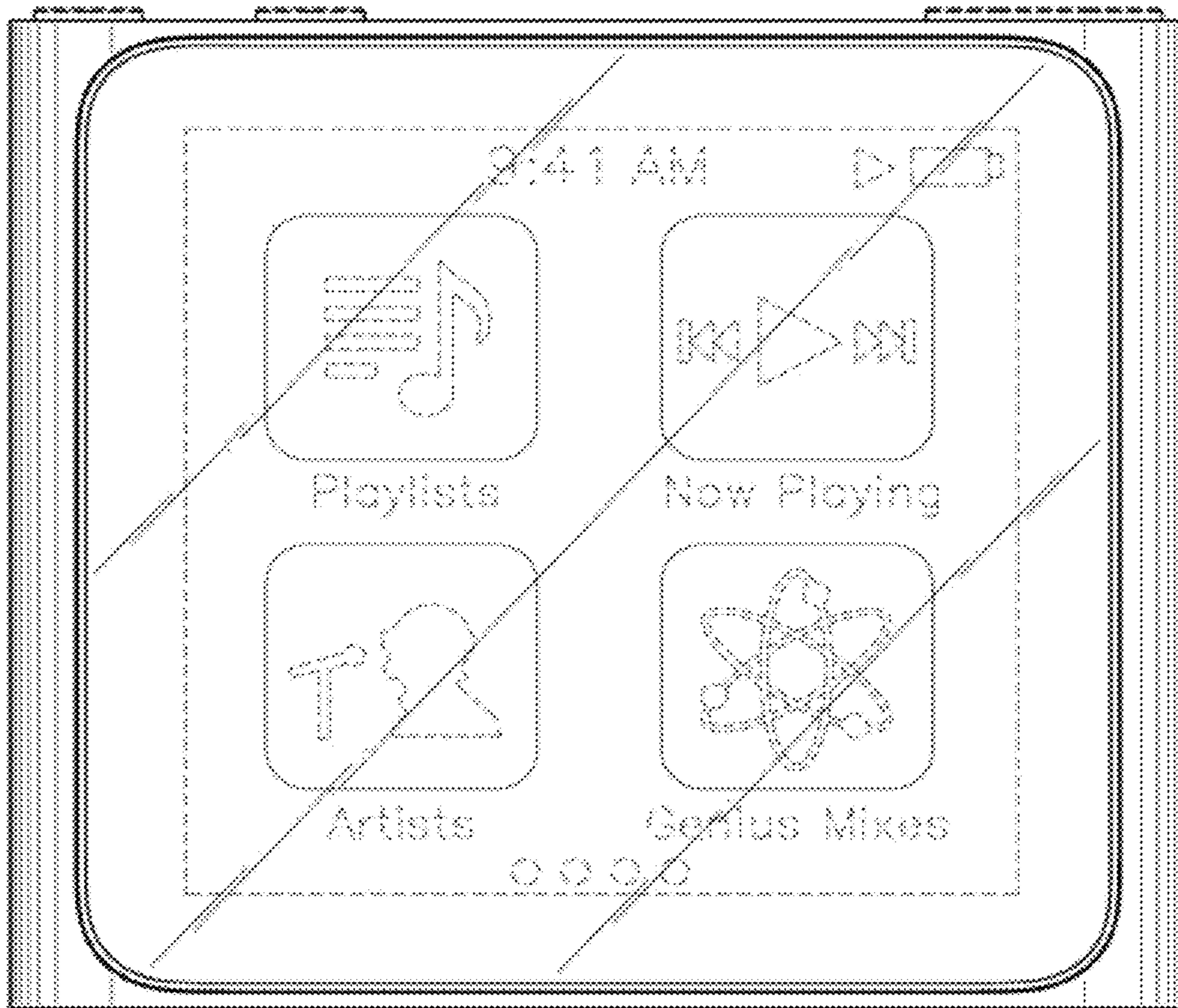


FIG.5

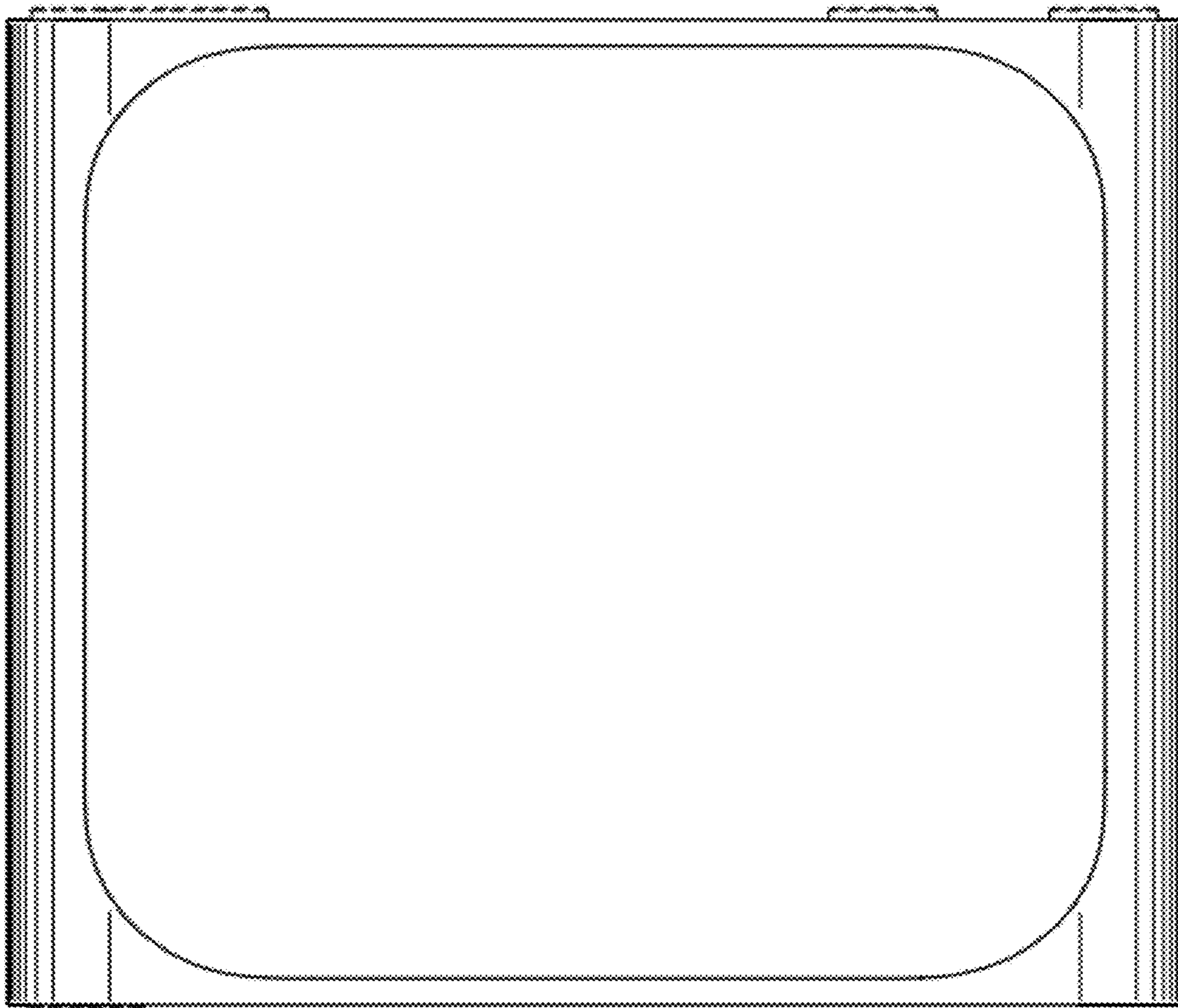


FIG. 6





FIG. 7

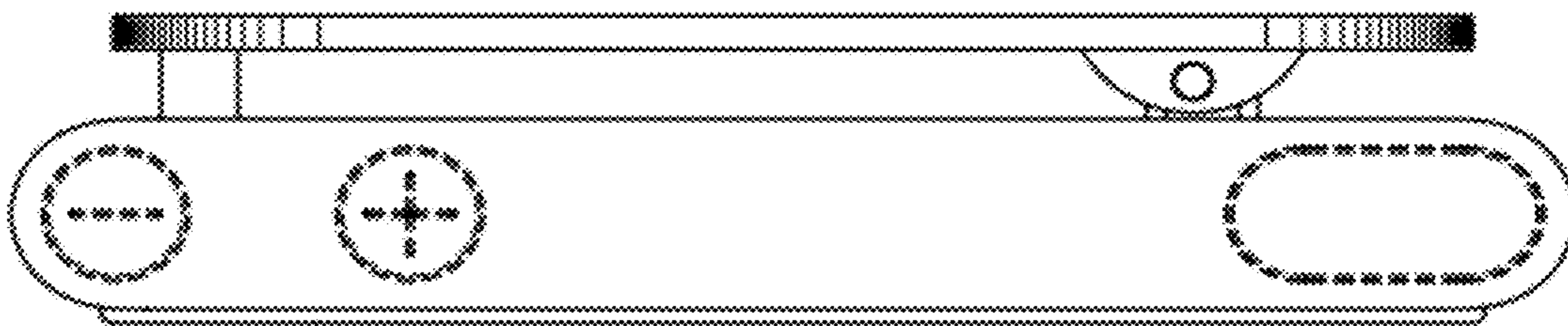


FIG. 8

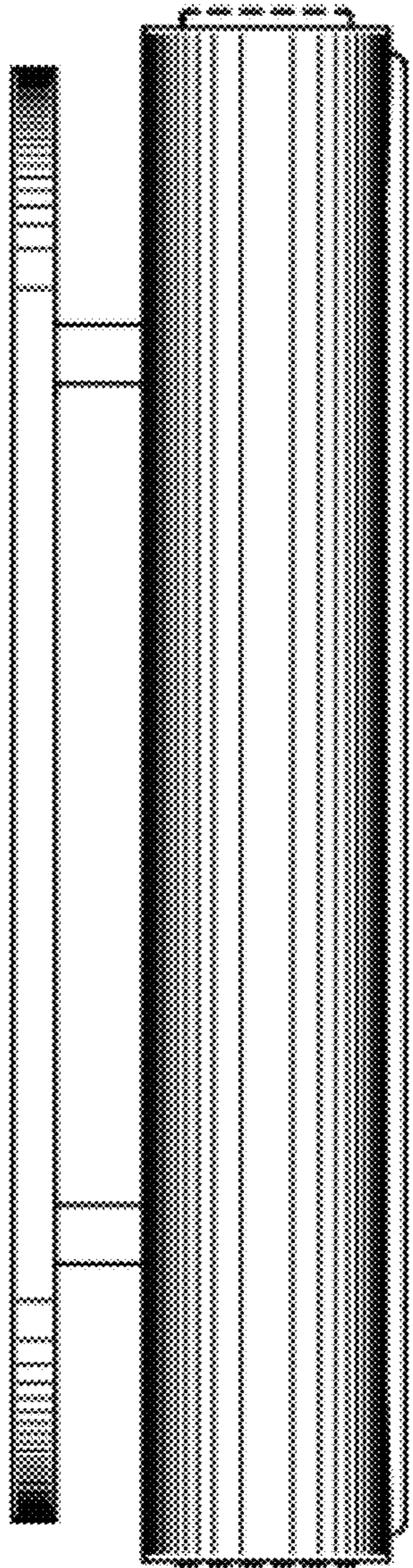


FIG. 9

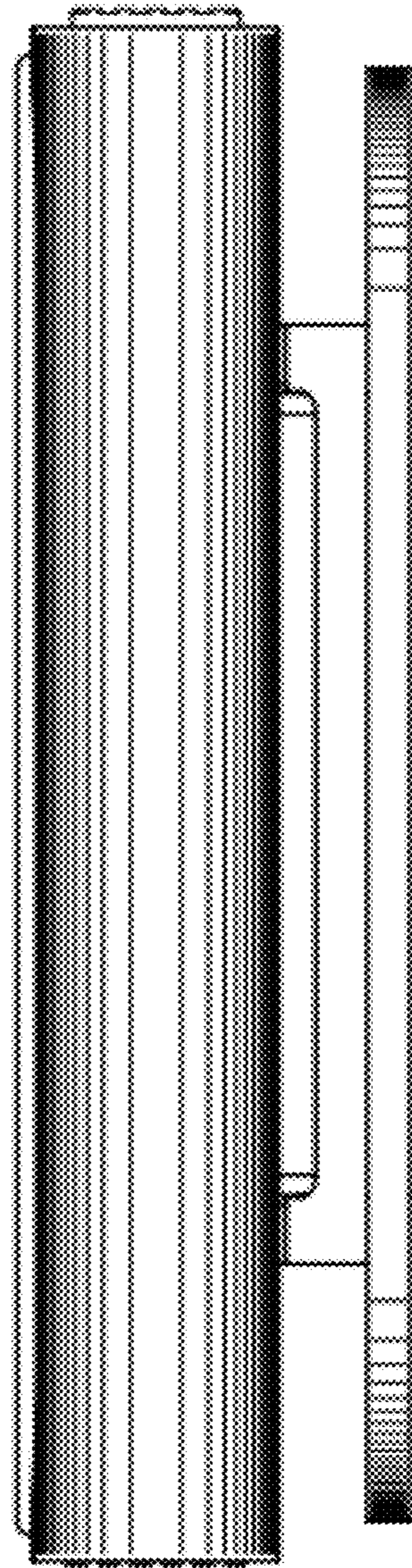


FIG. 10