



US00D673962S

(12) **United States Design Patent**
Blaustein et al.

(10) **Patent No.:** **US D673,962 S**
(45) **Date of Patent:** **** Jan. 8, 2013**

(54) **USB DRIVE AND CARD READER WITH BODY**

(75) Inventors: **Evan Blaustein**, Brookline, MA (US);
Lillian Chan, Boston, MA (US);
Benjamin N. Huyck, Chicago, IL (US);
Robert E. Miller, III, Lombard, IL (US)

(73) Assignee: **MIMOCO, Inc.**, Boston, MA (US)

(**) Term: **14 Years**

(21) Appl. No.: **29/404,630**

(22) Filed: **Oct. 24, 2011**

(51) **LOC (9) Cl.** **14-02**

(52) **U.S. Cl.** **D14/480.2**; D21/621

(58) **Field of Classification Search** D14/411,
D14/433, 435, 435.1, 436-438, 480.1-480.7,
D14/484.1, 137, 155, 203.1-203.8, 240;
D13/133, 146-147, 154; 710/300, 301; 439/131,
439/135-147; 361/679.31, 679.33, 679.4,
361/752; 711/100, 115; D21/621, 630; D3/271.3;
D9/614; D11/160; 446/387

See application file for complete search history.

(56) **References Cited**

U.S. PATENT DOCUMENTS

D66,756	S	*	3/1925	Spear	D21/630
D98,713	S	*	2/1936	Briner	D11/160
2,864,977	A	*	12/1958	Witt et al.	361/736
3,303,393	A	*	2/1967	Hymes et al.	361/779
3,324,224	A	*	6/1967	Thibodean	174/260
D271,405	S	*	11/1983	Helein	D21/630
D271,598	S	*	11/1983	Helein	D21/630
6,456,500	B1		9/2002	Chen		
D474,773	S	*	5/2003	Kondo	D14/435
6,612,853	B2		9/2003	Wu		
D485,873	S	*	1/2004	Pino	D21/595
6,743,030	B2		6/2004	Lin et al.		
6,763,410	B2		7/2004	Yu		
6,786,743	B2		9/2004	Huang		
6,792,487	B2		9/2004	Kao		
6,808,400	B2		10/2004	Tu		
D501,898	S	*	2/2005	Rutherford et al.	D21/623
D504,708	S	*	5/2005	Wang	D21/634

6,926,544	B2		8/2005	Lee		
6,932,629	B2		8/2005	Ikenoue		
6,963,468	B2		11/2005	Chang et al.		
6,979,210	B2		12/2005	Regen et al.		
7,004,780	B1		2/2006	Wang		
D523,017	S		6/2006	Blaustein		
7,090,515	B2		8/2006	Regen et al.		

(Continued)

OTHER PUBLICATIONS

A-Data Technology—Theme series T809 Mascot Flash Drive, [online], [retrieved on May 25, 2010]. Retrieved from the Internet <URL: http://www.adata.com.tw/en/product_show.php?ProductNo=AT89ZZZWH>.*

(Continued)

Primary Examiner — Karen E Kearney

(74) *Attorney, Agent, or Firm* — Altera Law Group, LLC

(57) **CLAIM**

The ornamental design for a USB drive and card reader with body, as shown and described.

DESCRIPTION

FIG. 1 is a perspective view of the USB drive and card reader with body.

FIG. 2 is a rear view thereof.

FIG. 3 is a front view thereof.

FIG. 4 is a side view thereof.

FIG. 5 is the other side view thereof.

FIG. 6 is a top view thereof.

FIG. 7 is a bottom view thereof.

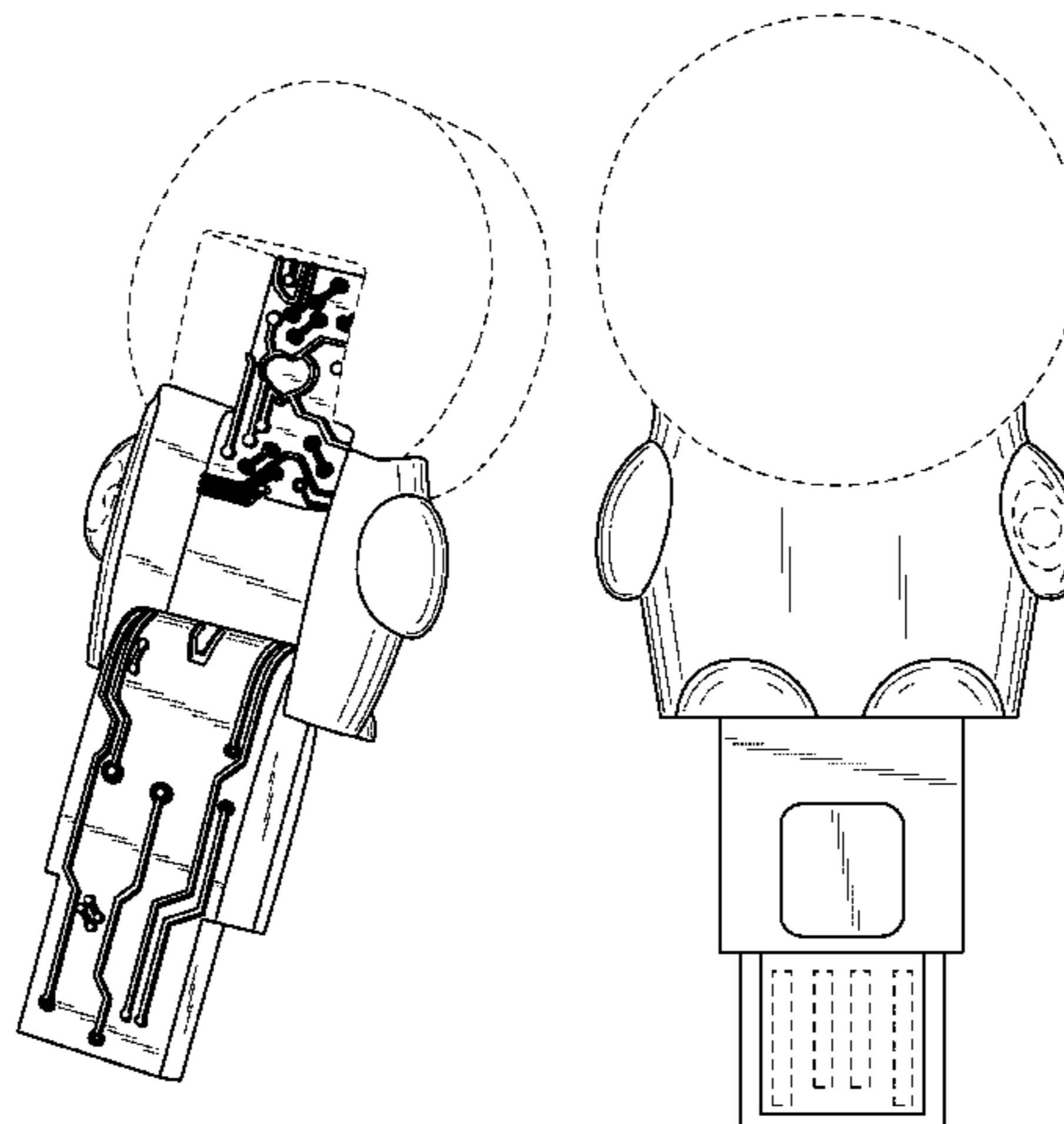
FIG. 8 is a perspective view thereof, with the tang in a closed position.

FIG. 9 is a top view thereof, with the tang in a closed position; and,

FIG. 10 is a bottom view thereof, with the tang in a closed position.

The broken line showings are included for the purpose of illustrating portions of the USB drive and form no part of the claimed design.

1 Claim, 7 Drawing Sheets



U.S. PATENT DOCUMENTS

7,092,256 B1 8/2006 Salazar et al.
 7,094,078 B2 8/2006 Okada
 7,104,814 B1 9/2006 She et al.
 7,121,852 B2 10/2006 Ng et al.
 7,179,099 B2 2/2007 Hsich
 7,223,574 B2 5/2007 Lei et al.
 7,241,153 B2 7/2007 He et al.
 7,287,705 B2 10/2007 Tang
 7,295,431 B2 11/2007 Chuang
 7,300,306 B2 11/2007 Le et al.
 7,301,596 B1 11/2007 Morganstern et al.
 7,303,411 B1 12/2007 Morganstern et al.
 7,307,849 B2 12/2007 Ho et al.
 7,334,731 B1 2/2008 McLean
 D566,114 S * 4/2008 Chu D14/480.6
 7,361,032 B2 4/2008 Loftus
 7,380,713 B2 6/2008 McLean
 7,416,424 B1 8/2008 Deckman
 7,420,803 B2 9/2008 Hsueh et al.
 7,422,454 B1 9/2008 Tang et al.
 7,455,525 B2 11/2008 Rambosek et al.
 7,462,044 B1 12/2008 Regen et al.
 7,492,601 B2 2/2009 Salazar et al.
 7,500,858 B2 3/2009 Emerson et al.
 7,524,198 B2 4/2009 Nguyen et al.
 7,530,823 B1 5/2009 Thornton et al.
 7,558,069 B2 7/2009 Chuang
 7,566,231 B2 7/2009 Regen et al.
 D605,613 S * 12/2009 Carter et al. D13/182
 7,648,374 B2 1/2010 Koskondy
 7,661,967 B2 2/2010 Tang et al.
 D611,463 S * 3/2010 Kim D14/242
 7,674,120 B2 3/2010 Morganstern et al.
 7,686,629 B1 3/2010 Yu et al.
 7,704,084 B1 4/2010 Cheng
 7,708,570 B2 5/2010 Ni et al.
 D617,782 S * 6/2010 Kim D14/242
 7,740,492 B2 6/2010 Dei Rossi et al.
 7,740,493 B2 6/2010 Ni et al.
 7,747,003 B2 6/2010 Regen et al.
 7,766,716 B2 * 8/2010 Fong et al. 446/99
 7,787,243 B2 8/2010 Salazar et al.
 7,789,680 B2 9/2010 Hiew et al.
 7,811,101 B2 10/2010 Tang et al.
 D628,246 S * 11/2010 Rappaport-Rowan D21/621
 7,850,468 B2 12/2010 Ni et al.
 D637,587 S * 5/2011 Pan D14/242
 D647,532 S * 10/2011 Busch D14/480.3
 8,113,888 B2 * 2/2012 Carter et al. 439/676
 D657,007 S * 4/2012 O'Leary D21/621
 D657,366 S * 4/2012 Leung D14/480.2
 2002/0102866 A1 8/2002 Lubowicki
 2004/0074264 A1 4/2004 Kung et al.
 2004/0215966 A1 10/2004 Elteto

2005/0009375 A1 1/2005 Pan
 2005/0079738 A1 4/2005 Ahn
 2005/0181634 A1 8/2005 Bhogal
 2006/0136623 A1 6/2006 Elazar et al.
 2006/0150869 A1 7/2006 Cvek
 2006/0192004 A1 8/2006 Elazar et al.
 2006/0240692 A1 10/2006 Regen et al.
 2007/0171620 A1 * 7/2007 Lee 361/737
 2007/0173077 A1 7/2007 Wang
 2007/0243723 A1 10/2007 Liao
 2007/0292009 A1 12/2007 Nguyen et al.
 2008/0028146 A1 1/2008 Dan et al.
 2008/0050952 A1 2/2008 Regen et al.
 2008/0160832 A1 7/2008 Morganstern et al.
 2008/0227380 A1 9/2008 Hsu et al.
 2008/0261450 A1 10/2008 Nguyen et al.
 2009/0112761 A1 4/2009 Robertson et al.
 2009/0137137 A1 5/2009 Jeong et al.
 2009/0177835 A1 7/2009 Ma et al.
 2010/0015825 A1 1/2010 Ziberna
 2010/0029167 A1 2/2010 Leung
 2010/0075517 A1 3/2010 Ni et al.
 2010/0110643 A1 5/2010 Lin
 2010/0124847 A1 5/2010 Shiu et al.
 2010/0240236 A1 9/2010 Dei Rossi et al.
 2010/0248510 A1 9/2010 Zhang et al.
 2010/0267259 A1 10/2010 Sun
 2010/0281209 A1 11/2010 Ni et al.
 2010/0304586 A1 12/2010 Ma
 2010/0311257 A1 12/2010 Meng et al.
 2010/0317203 A1 12/2010 Tracy et al.
 2010/0321878 A1 12/2010 Huang
 2010/0330828 A1 12/2010 Tang et al.
 2011/0008980 A1 1/2011 Obata et al.

OTHER PUBLICATIONS

8GB Lego Man Thumb Drive by sgedra on Etsy, [online] sold Nov. 30, 2009 [retrieved on Jun. 17, 2011]. Retrieved from the Internet <URL: <http://www.etsy.com/listing/28894726/8gb-lego-man-thumb-drive>>.*
 Official Lego USB Drive, [online] Mar. 11, 2011 [retrieved on Jun. 17, 2011]. Retrieved from the Internet <URL: <http://www.techfresh.net/official-lego-usb-drives/>>.*
 Back view—Mimoco Mimomicro USB drive and reader (photos)—CNET, [online] Jan. 10, 2012 [retrieved on Aug. 9, 2012]. Retrieved from the Internet <URL: http://ces.cnet.com/2300-33373_1-10010893-5.html>.*
 Anatomy of a mimomicro USB Card Reader & Drive, [online], [retrieved on Aug. 9, 2012]. Retrieved from the Internet <URL: http://gadgets.in.com/uploads/2012/01/mimoco_mimomicro_usb_flash_drive_and_card_reader_3.jpg>.*

* cited by examiner

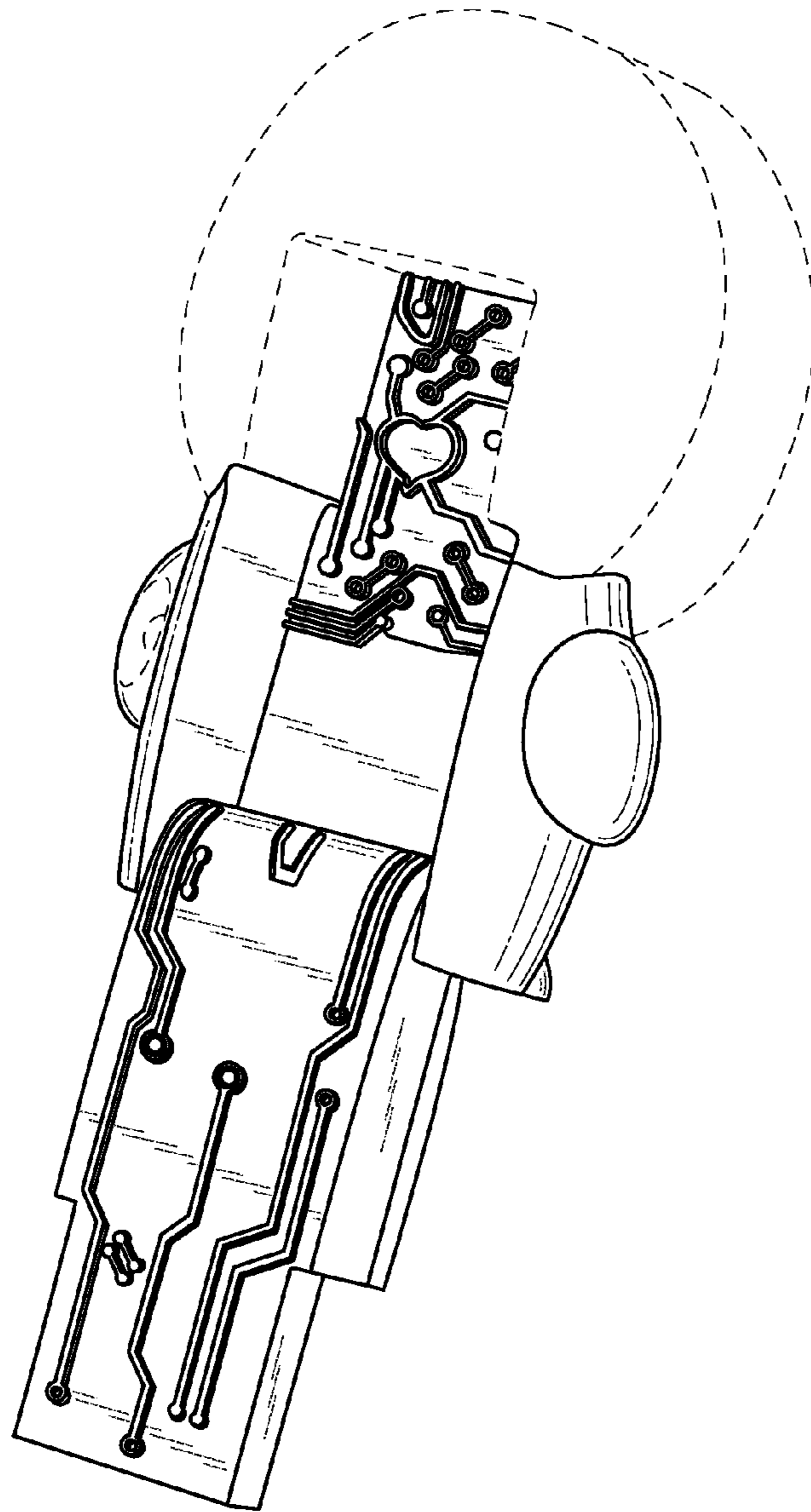


Fig. 1

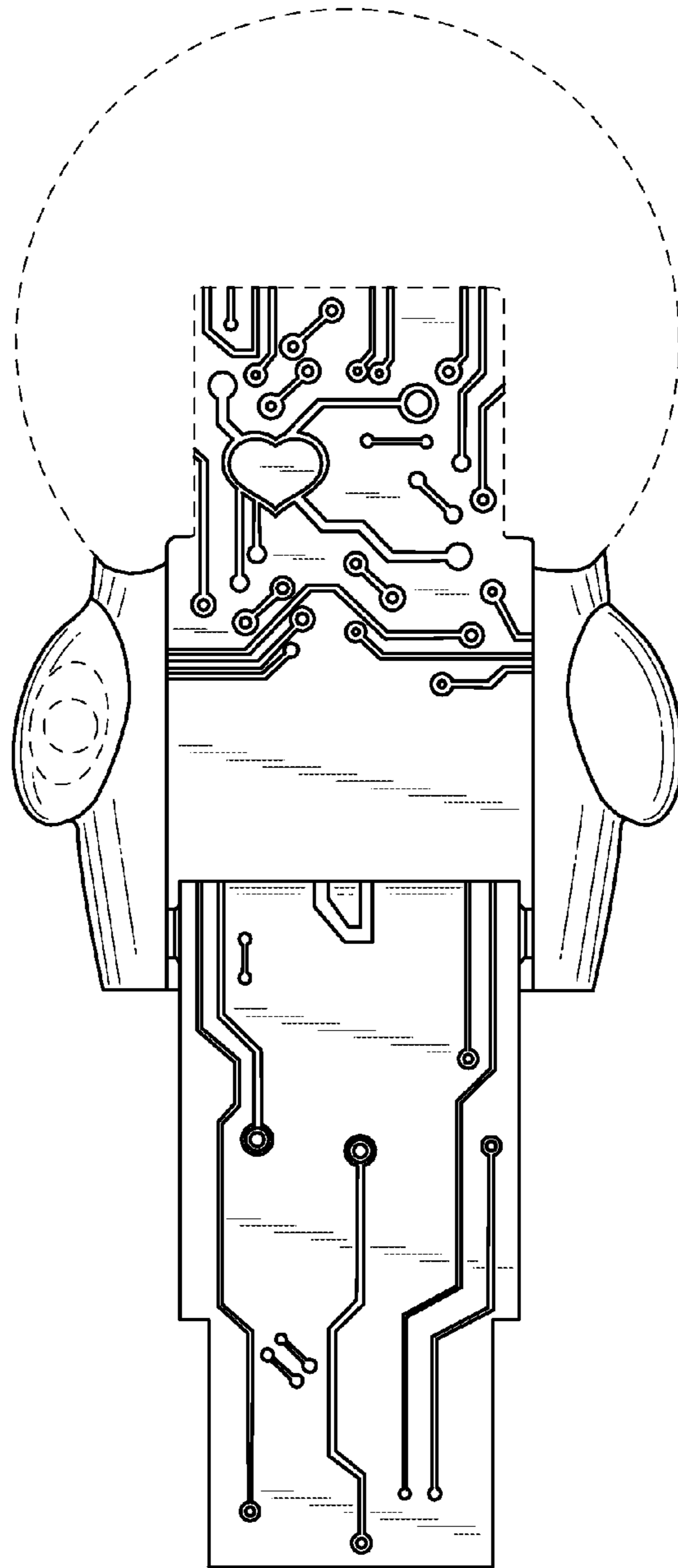


Fig. 2

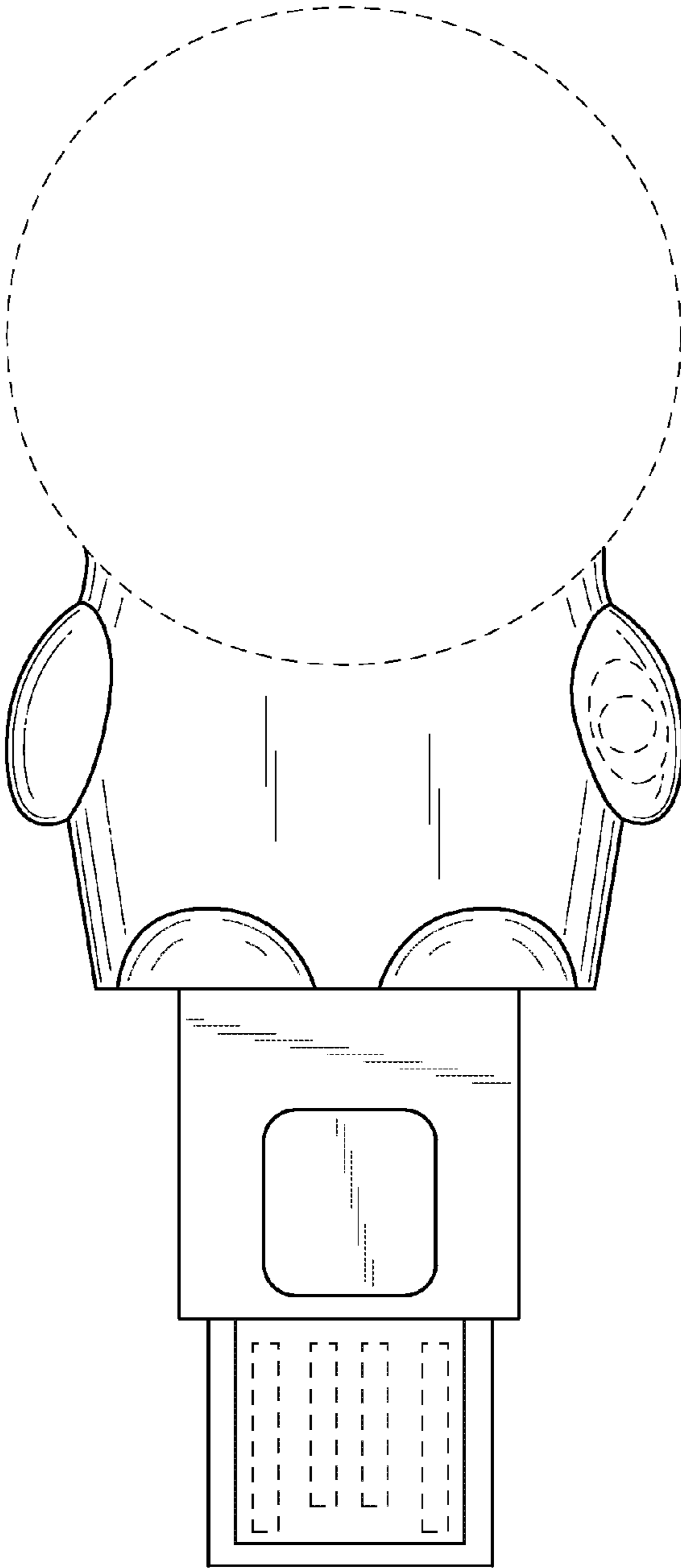


Fig. 3

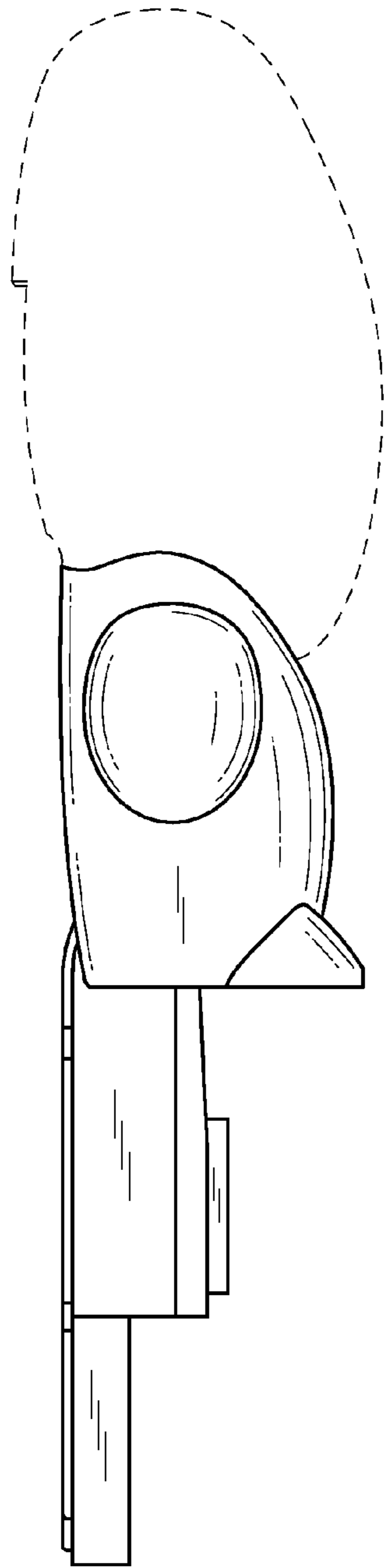


Fig. 4

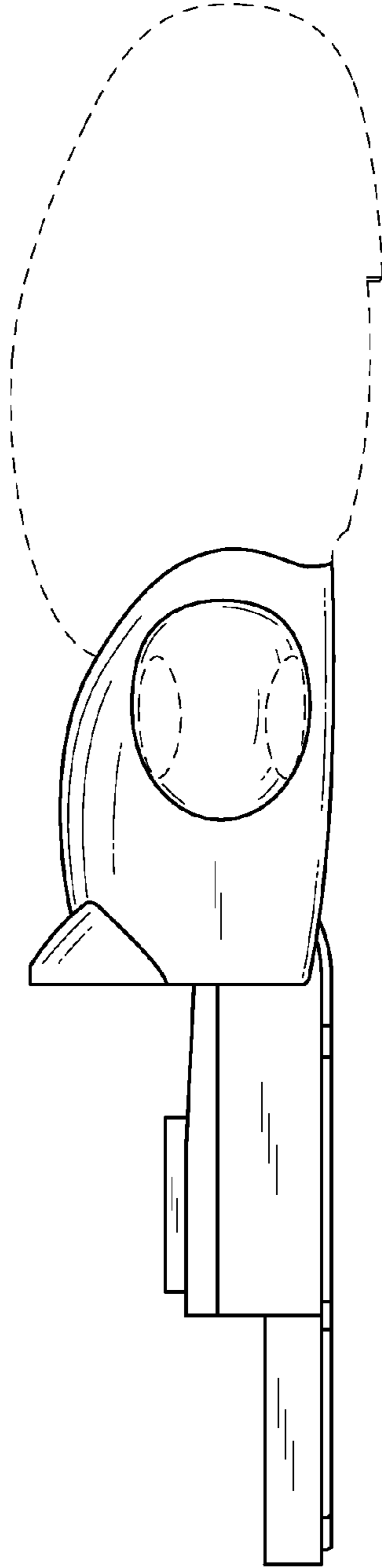


Fig. 5

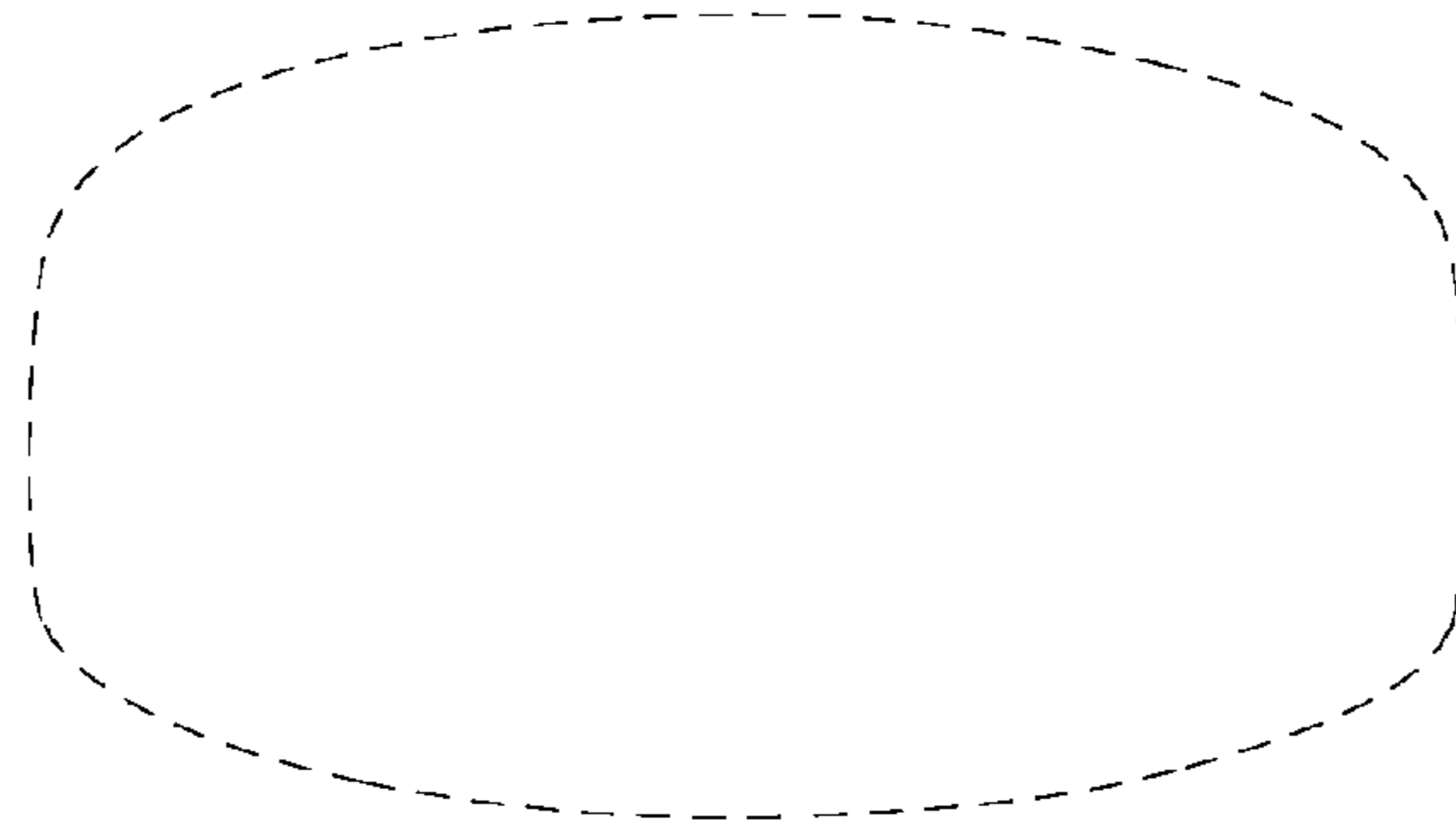


Fig. 6

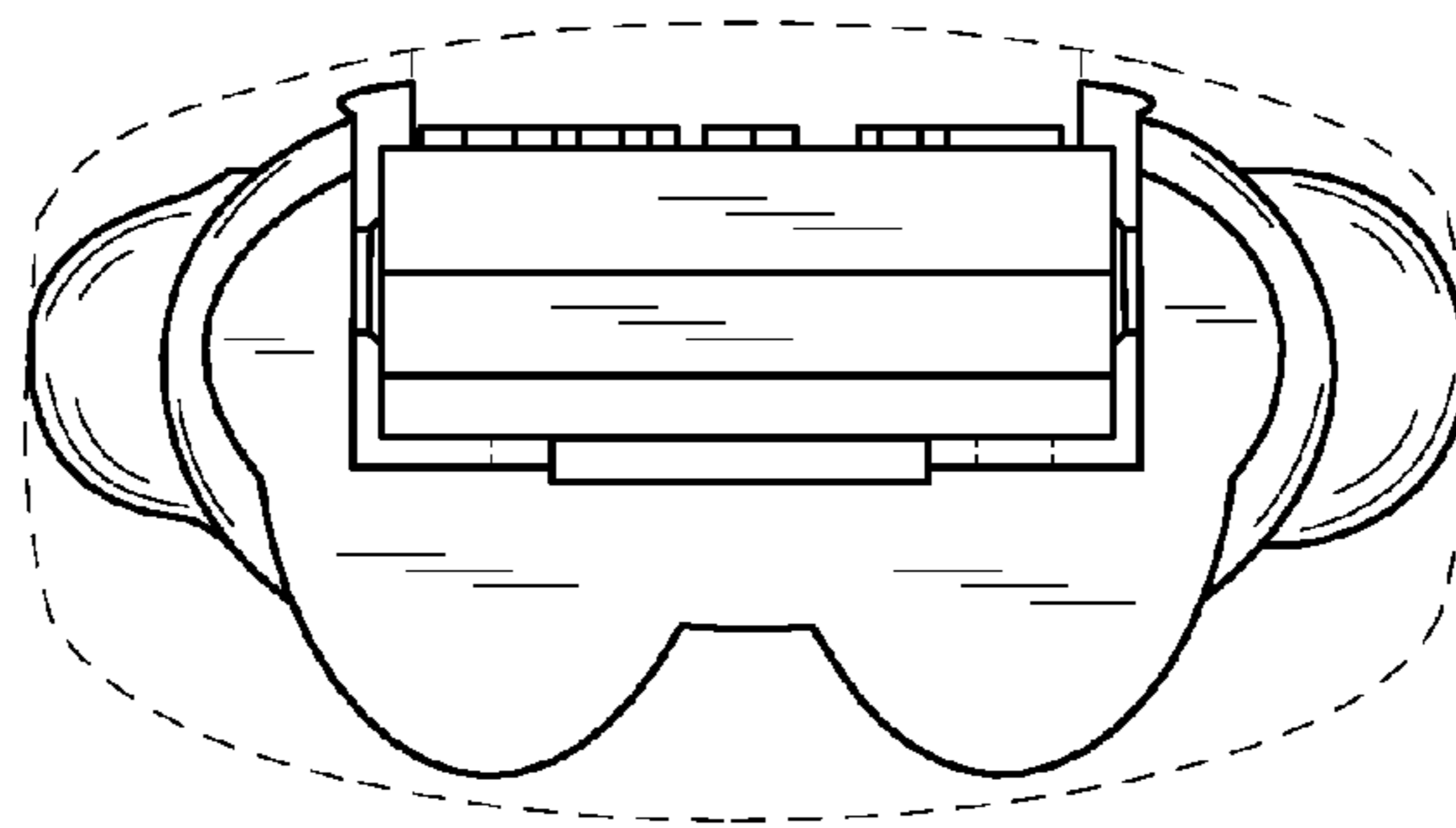


Fig. 7

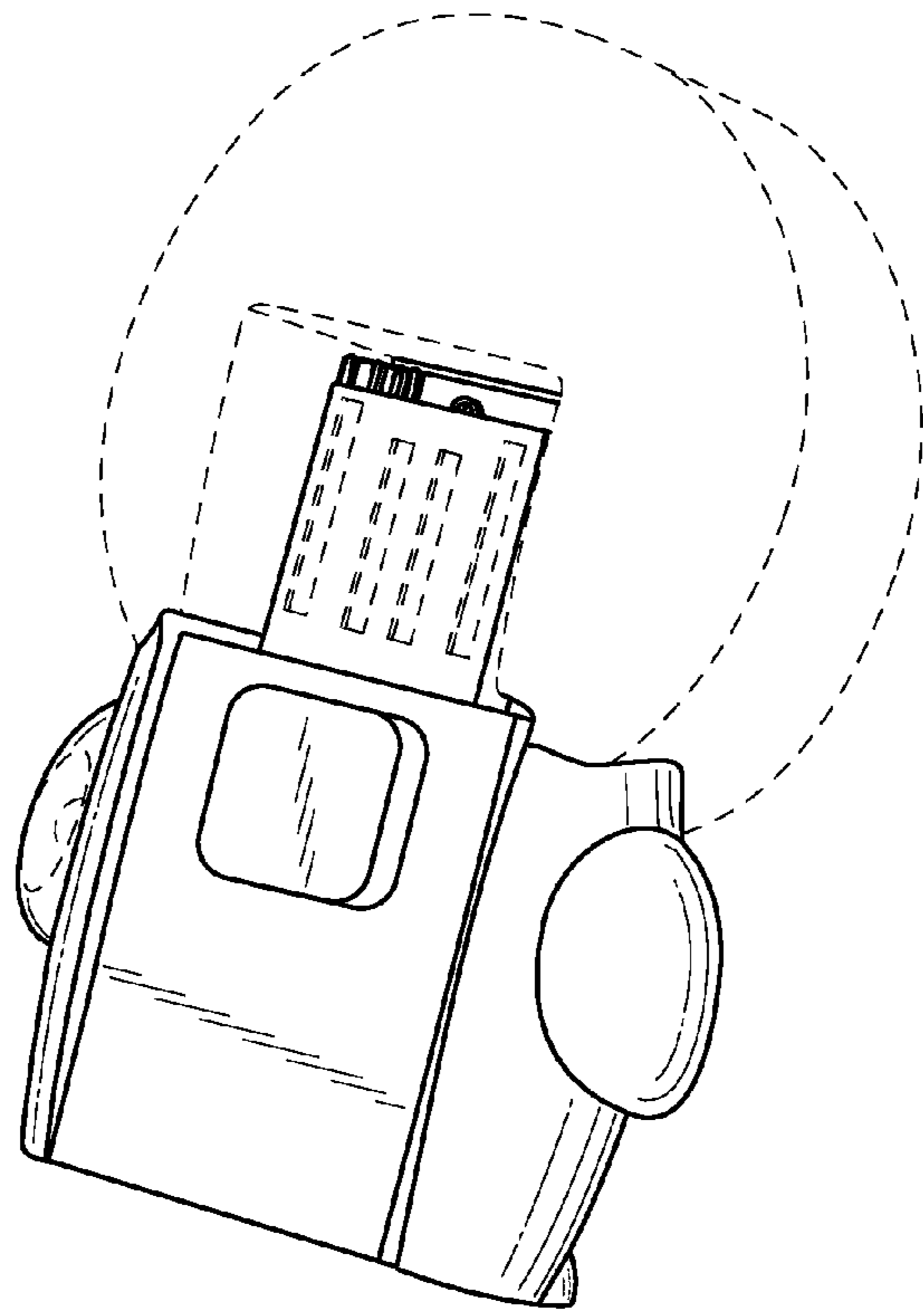


Fig. 8

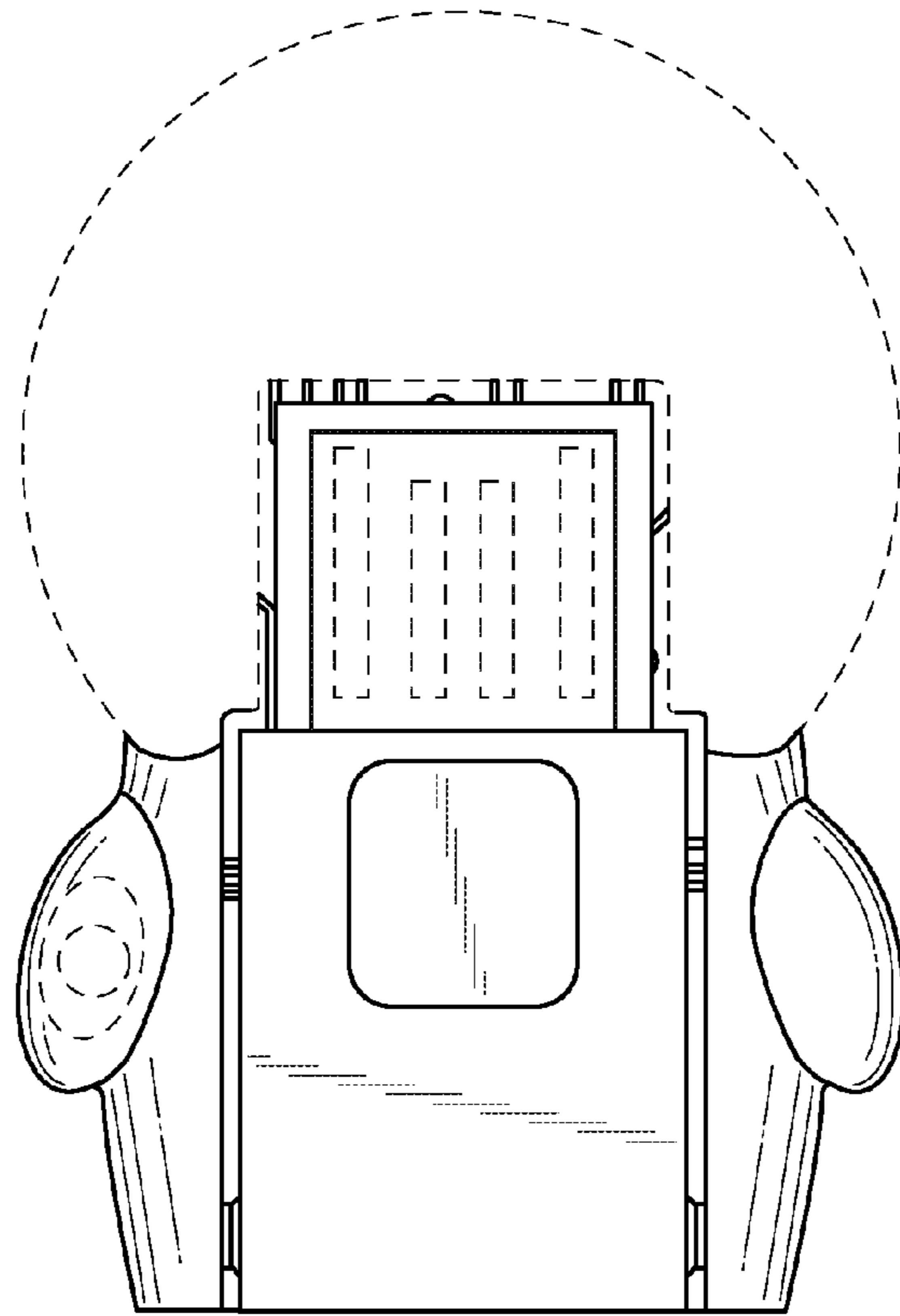


Fig. 9

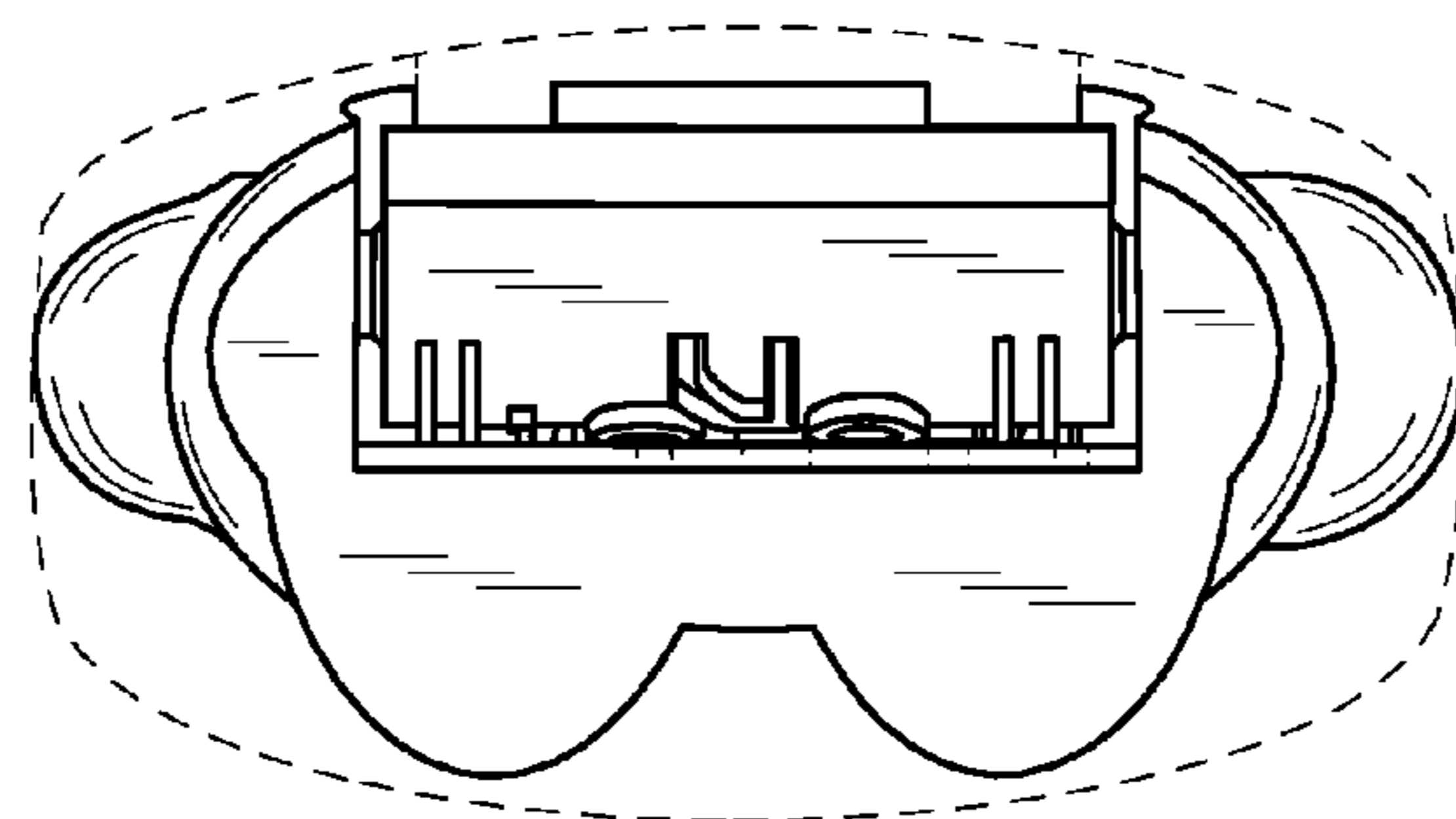


Fig. 10